

[54] COLLAPSIBLE STROLLER

[76] Inventor: Ramon Jane, Cartagena 203, 08013
Barcelona, Spain

[**] Term: 14 Years

[21] Appl. No.: 681,624

[22] Filed: Dec. 14, 1984

[30] Foreign Application Priority Data

Jun. 27, 1984 [ES] Spain 106379
[52] U.S. Cl. D12/129
[58] Field of Search D12/129, 130, 132, 133;
280/642, 643, 644, 42, 647, 648, 649, 650;
297/429, 437, 377; D6/333

[56] References Cited

U.S. PATENT DOCUMENTS

D. 262,696 1/1982 Perego D12/129
4,094,531 6/1978 Cabagnero 280/649
4,293,144 10/1981 Ha 280/650

Primary Examiner—James M. Gandy
Assistant Examiner—Kay H. Chin
Attorney, Agent, or Firm—Cushman, Darby & Cushman

[57] CLAIM

The ornamental design for a collapsible stroller, as shown and described.

DESCRIPTION

FIG. 1 is a perspective view of a collapsible stroller showing my new design;
FIG. 2 is a side elevation view thereof, the opposite side being a mirror image of that shown;
FIG. 3 is a top plan view thereof;
FIG. 4 is a front elevation view thereof;
FIG. 5 is a rear elevation view thereof; and
FIG. 6 is a bottom plan view thereof.

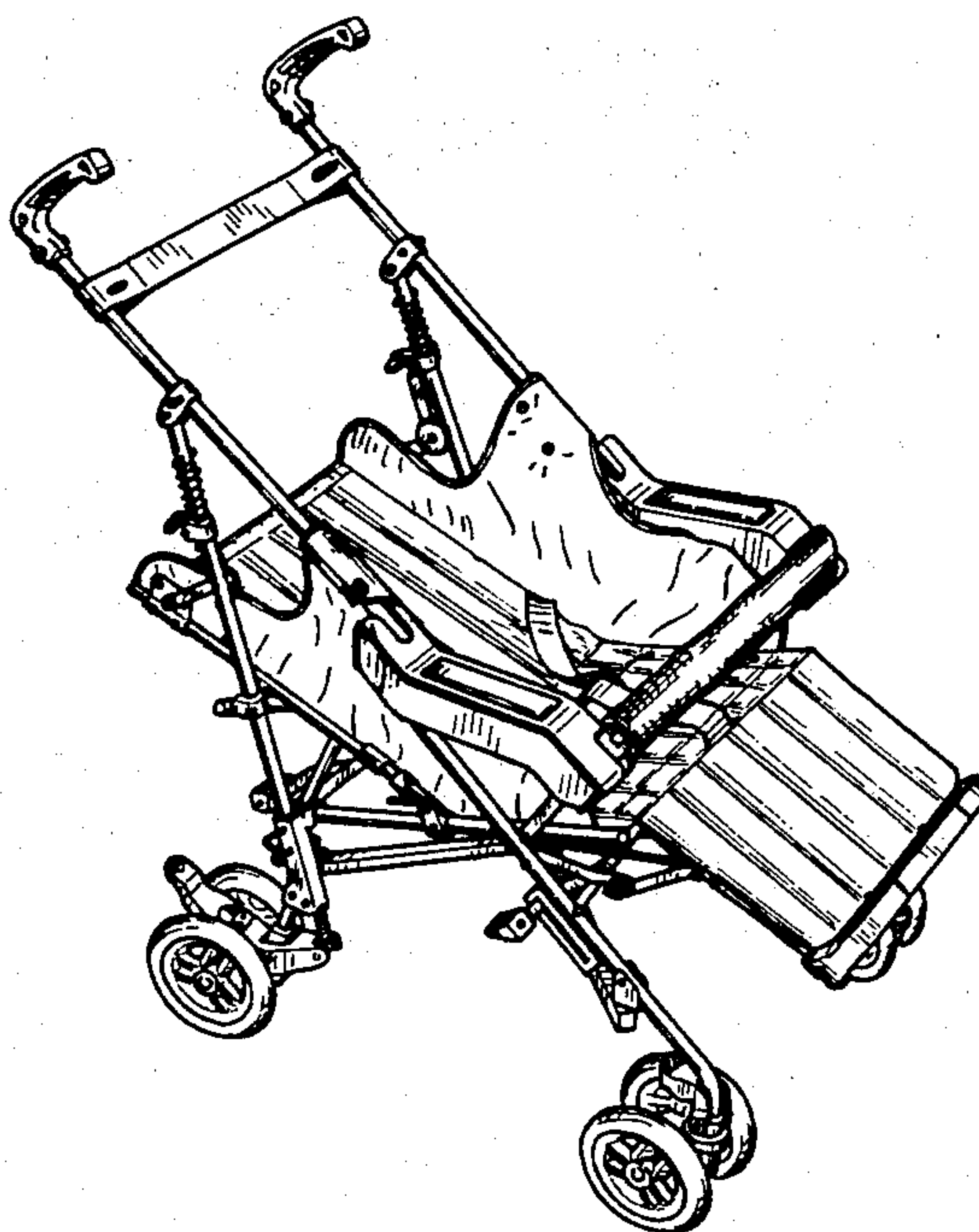


Fig. 1

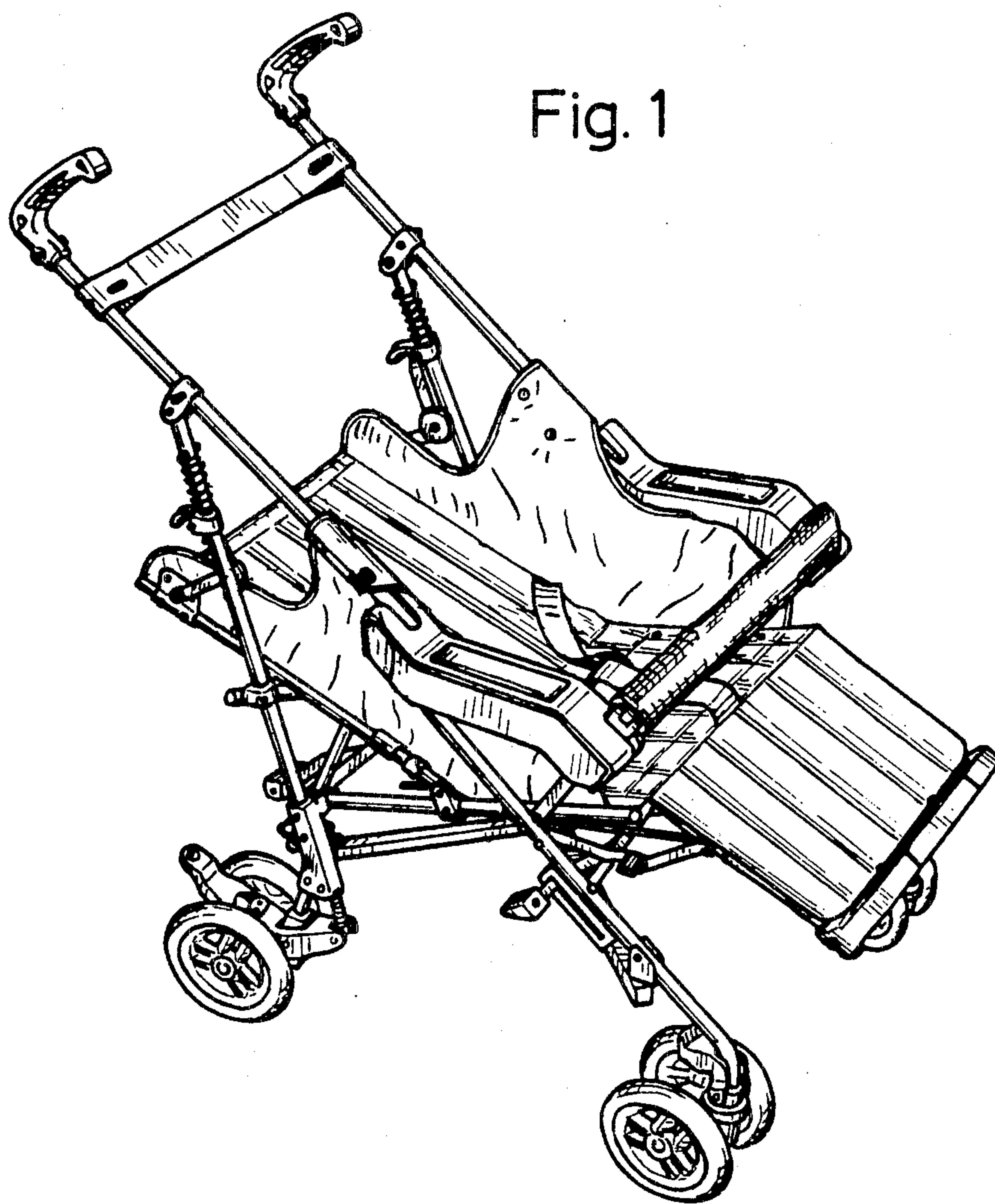


Fig. 2

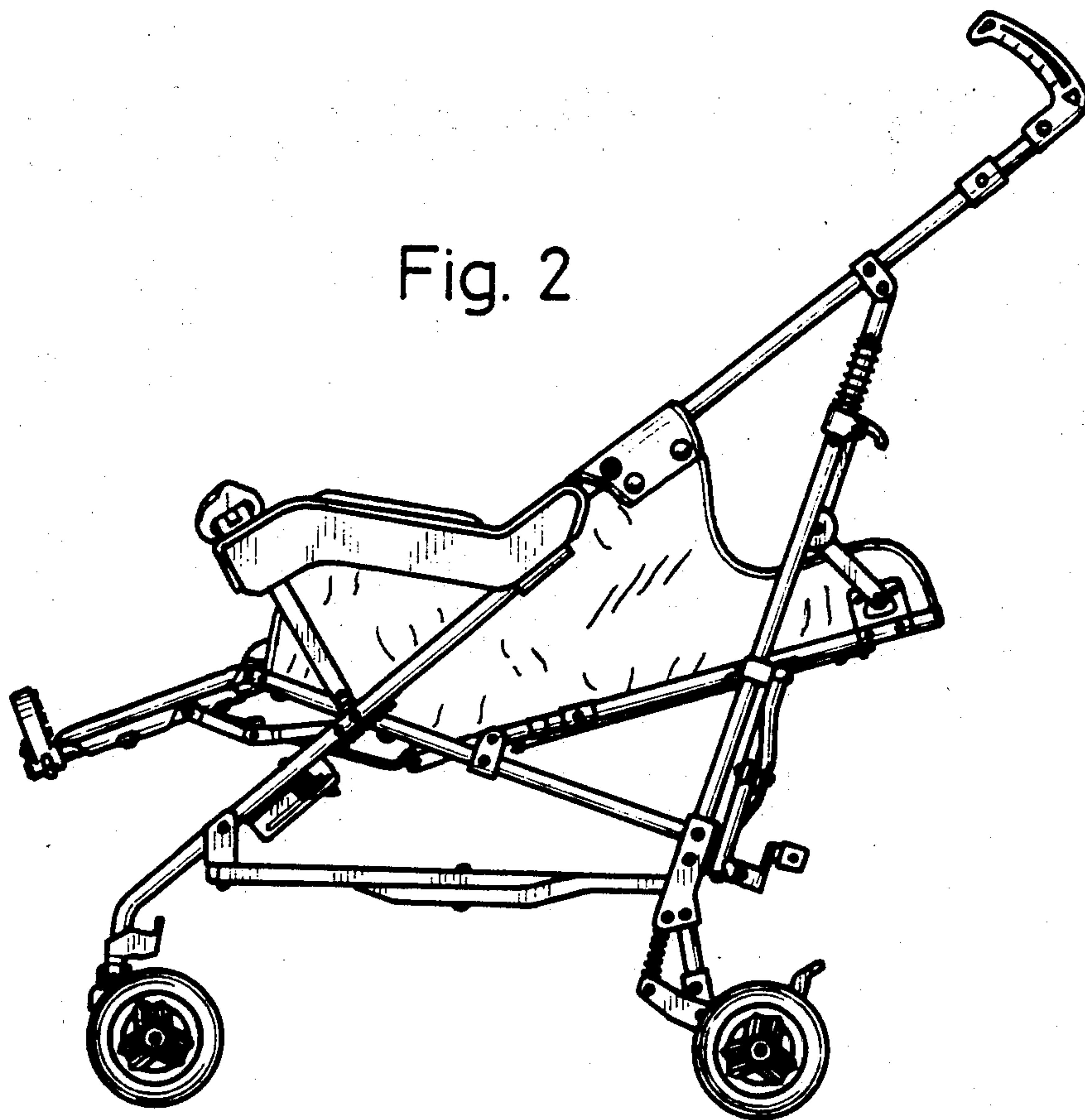


Fig. 3

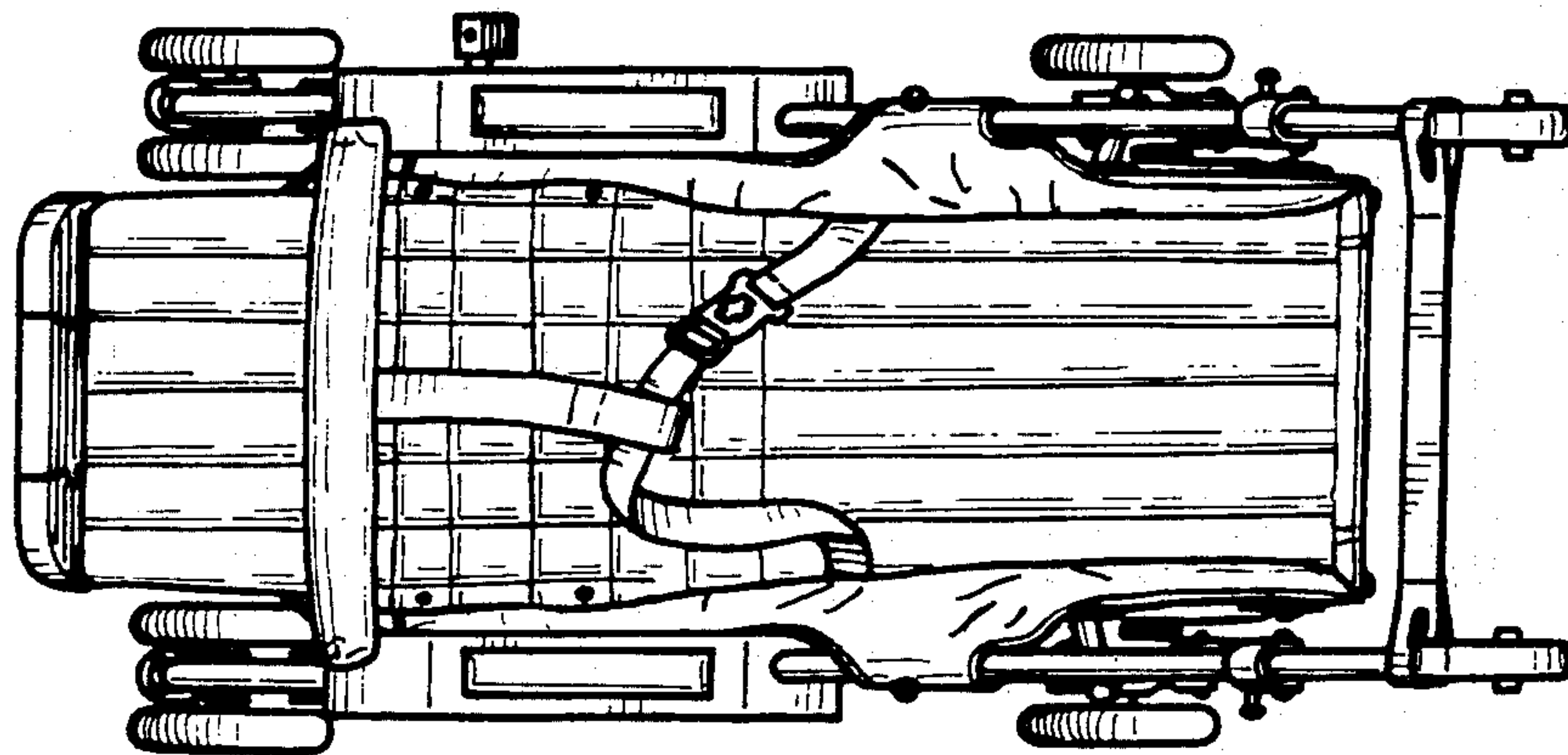


Fig. 5

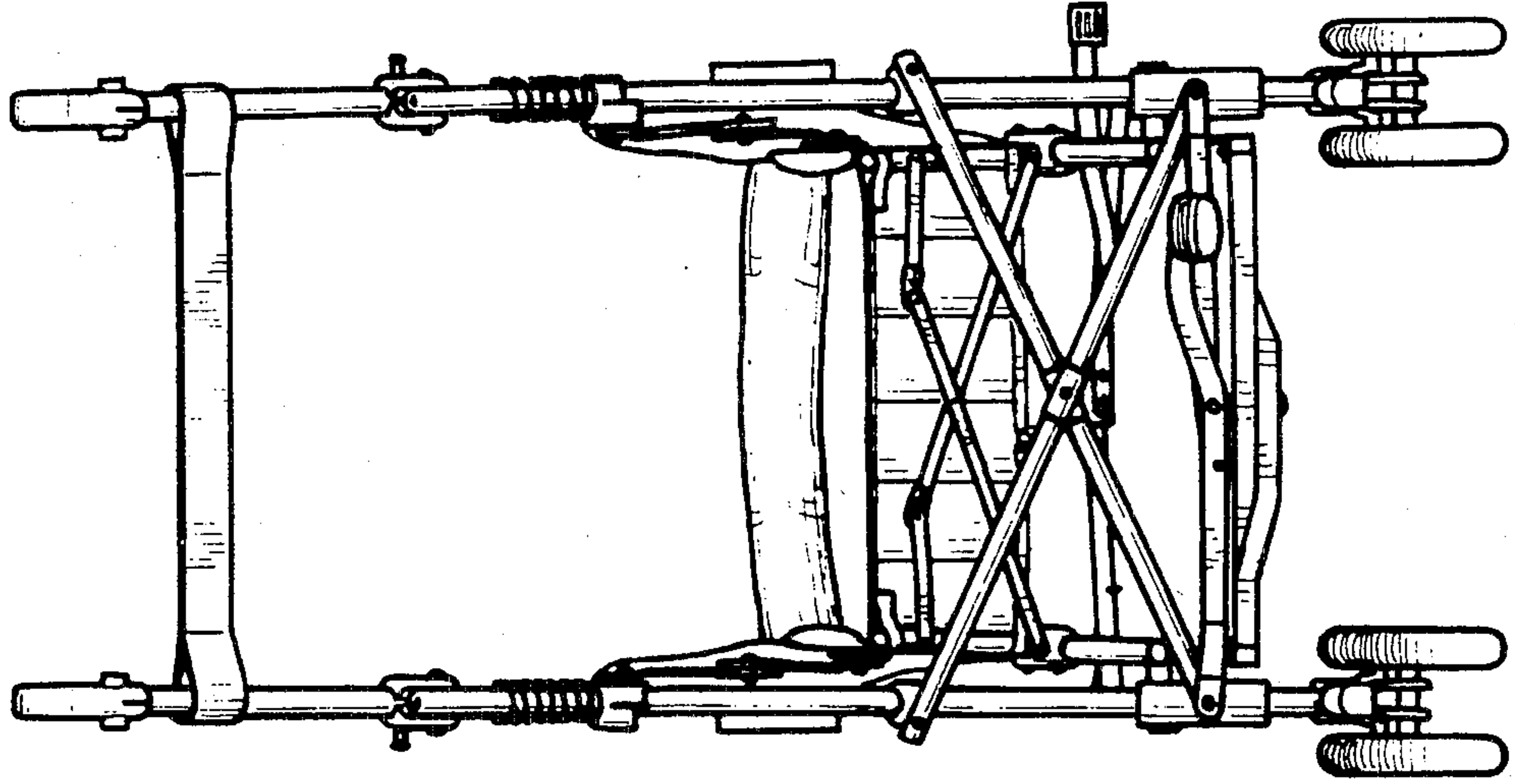


Fig. 4

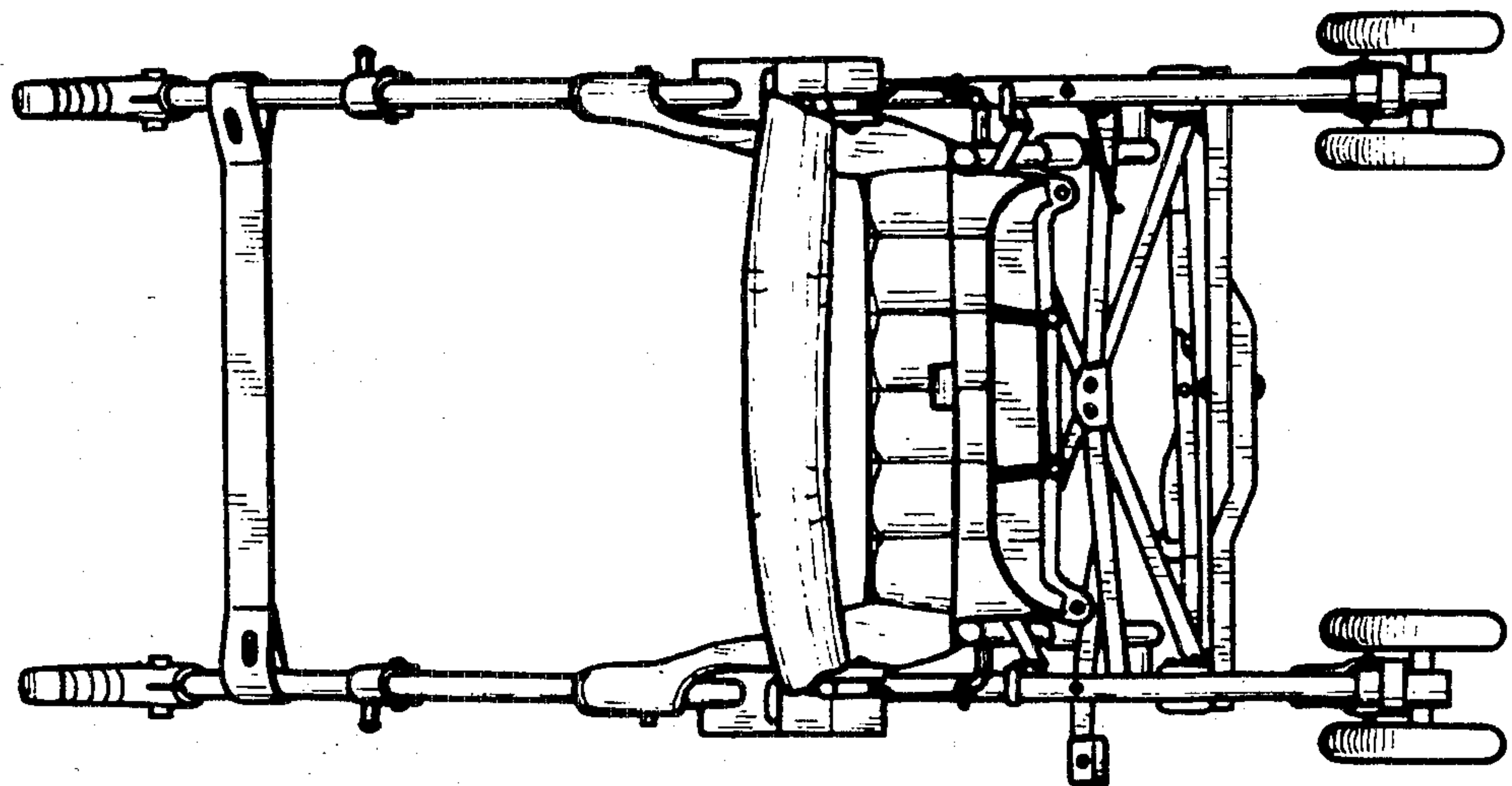


Fig. 6

