

[54] WATER METER

[75] Inventor: George J. Nolte, Longwood, Fla.

[73] Assignee: Precision Meters, Inc., Orlando, Fla.

[**] Term: 14 Years

[21] Appl. No.: 614,830

[22] Filed: May 29, 1984

[52] U.S. Cl. D10/99; D23/19

[58] Field of Search D10/96, 99, 103; 73/272, 273, 274, 861.55; D23/19; 415/71, 186

630,441	8/1899	Beckmann	415/186
864,579	8/1907	Volz .	
869,320	10/1907	Merrill	415/71
979,518	12/1910	Larabee .	
2,552,552	5/1951	Head	73/861.55
4,151,745	5/1979	Cordy	73/272 X

Primary Examiner—Nelson C. Holtje
Attorney, Agent, or Firm—Paul & Paul

[57] CLAIM

The ornamental design for a water meter, as shown and described.

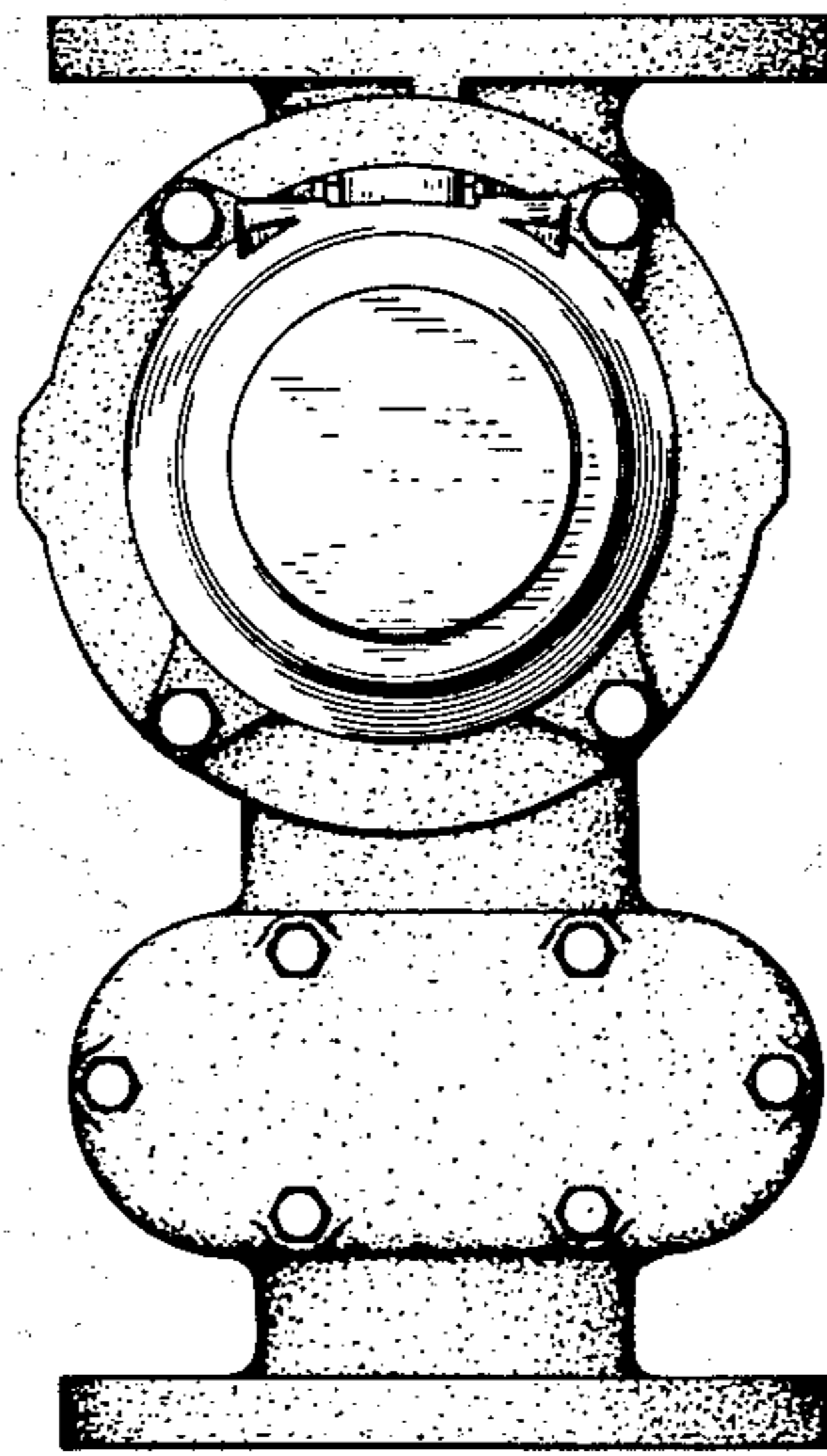
[56] References Cited

U.S. PATENT DOCUMENTS

D. 31,248	7/1899	Nash	D10/99
D. 127,619	6/1941	Hamer .	
D. 183,015	6/1958	Newbury .	
D. 240,037	5/1976	Kemp	D23/19
D. 278,316	4/1985	Bengston	D10/96

DESCRIPTION

FIG. 1 is a top plan view of a water meter showing my new design;
FIG. 2 is a front elevational view thereof;
FIG. 3 is a left side elevational view thereof, the right side being substantially a mirror image thereof;
FIG. 4 is a rear elevational view thereof.



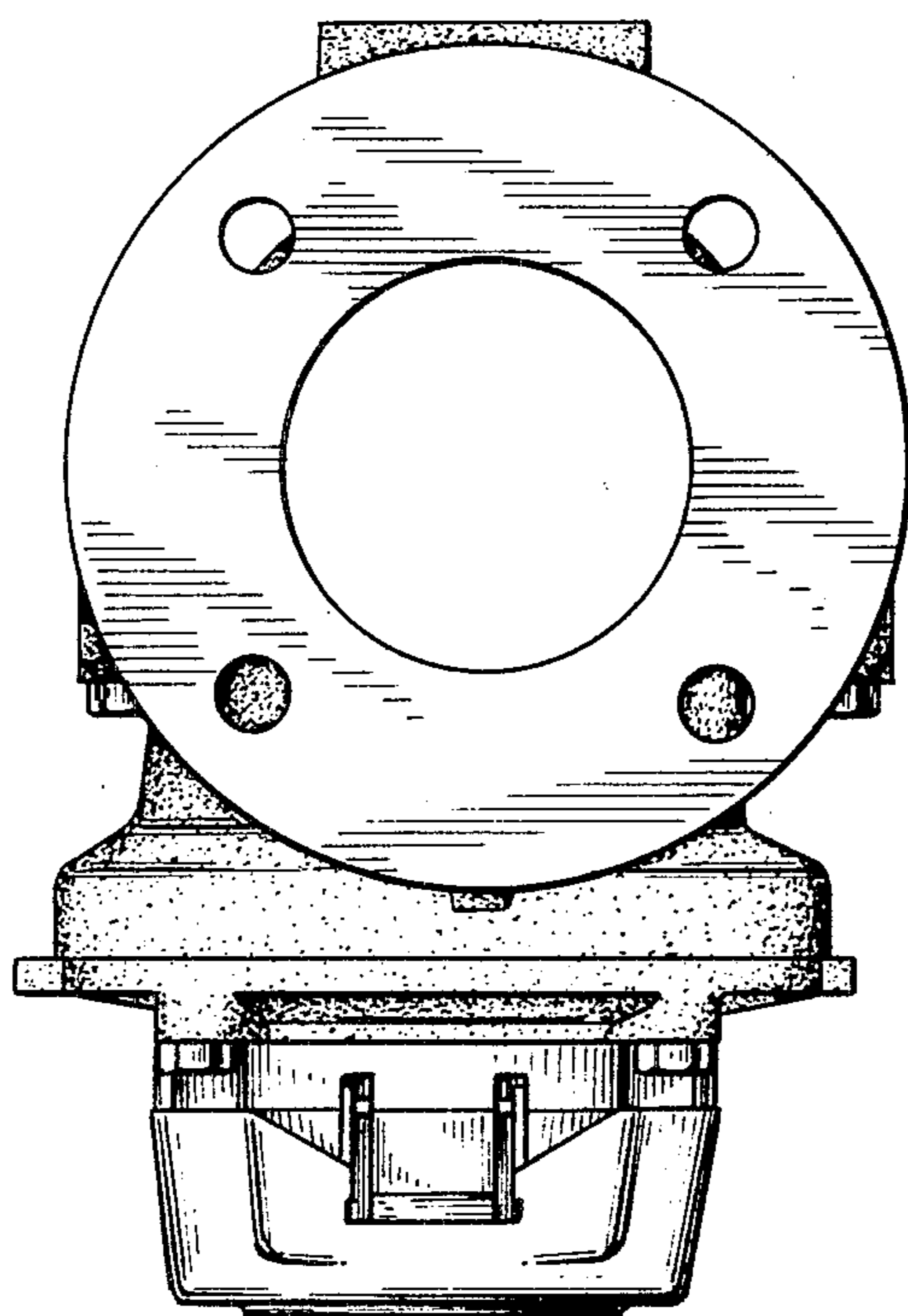


Fig. 1

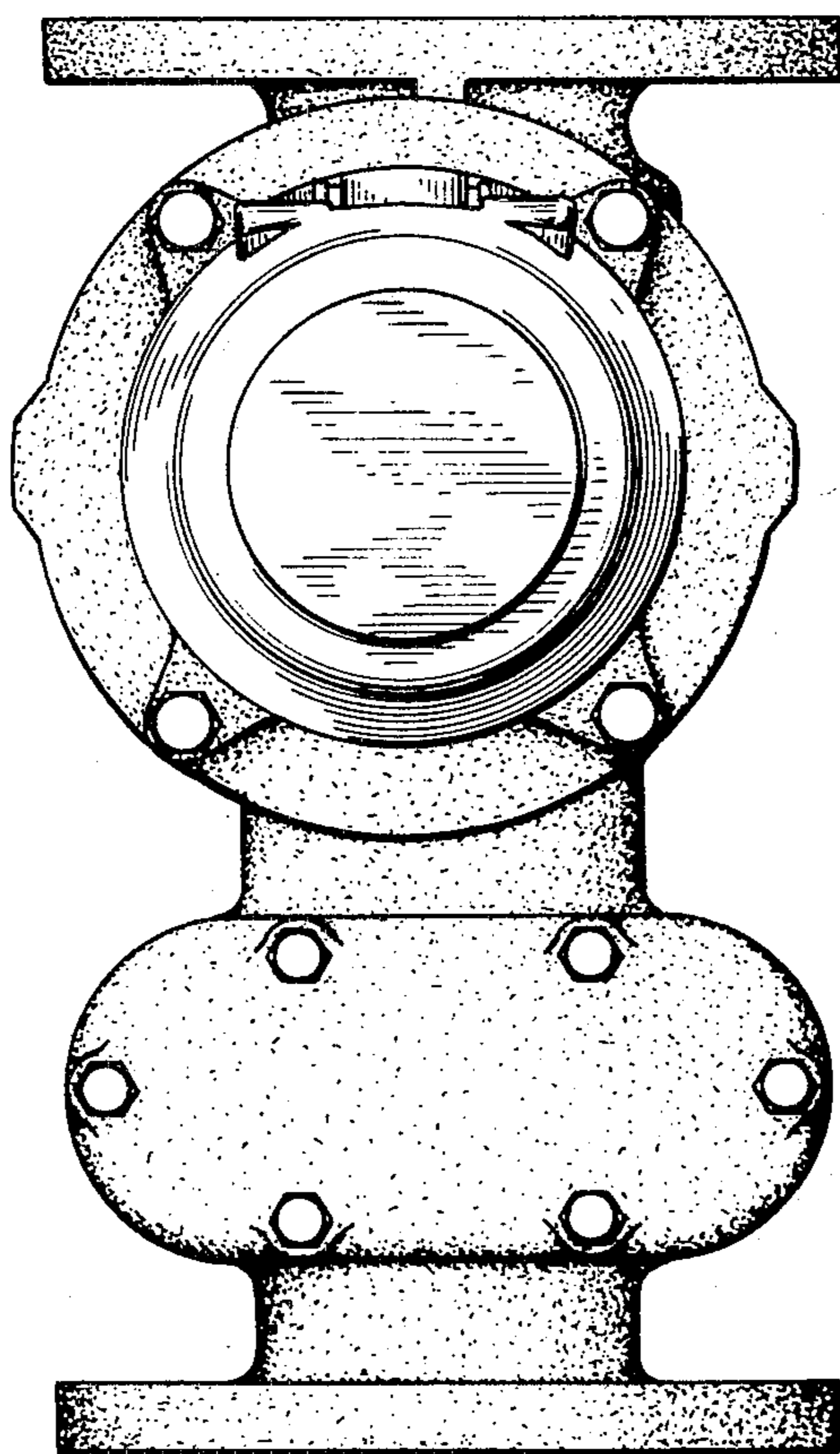


Fig. 2

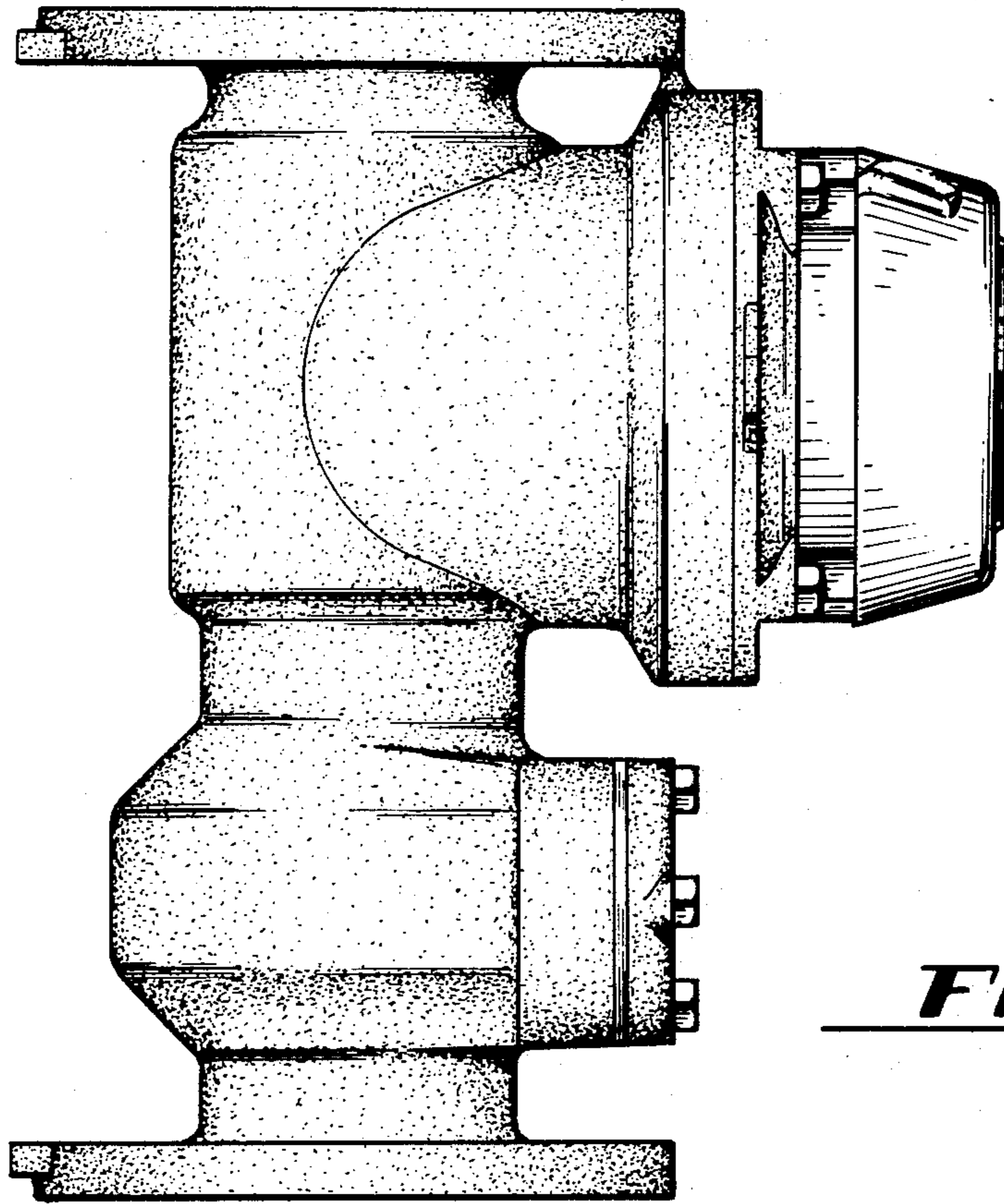


Fig. 3

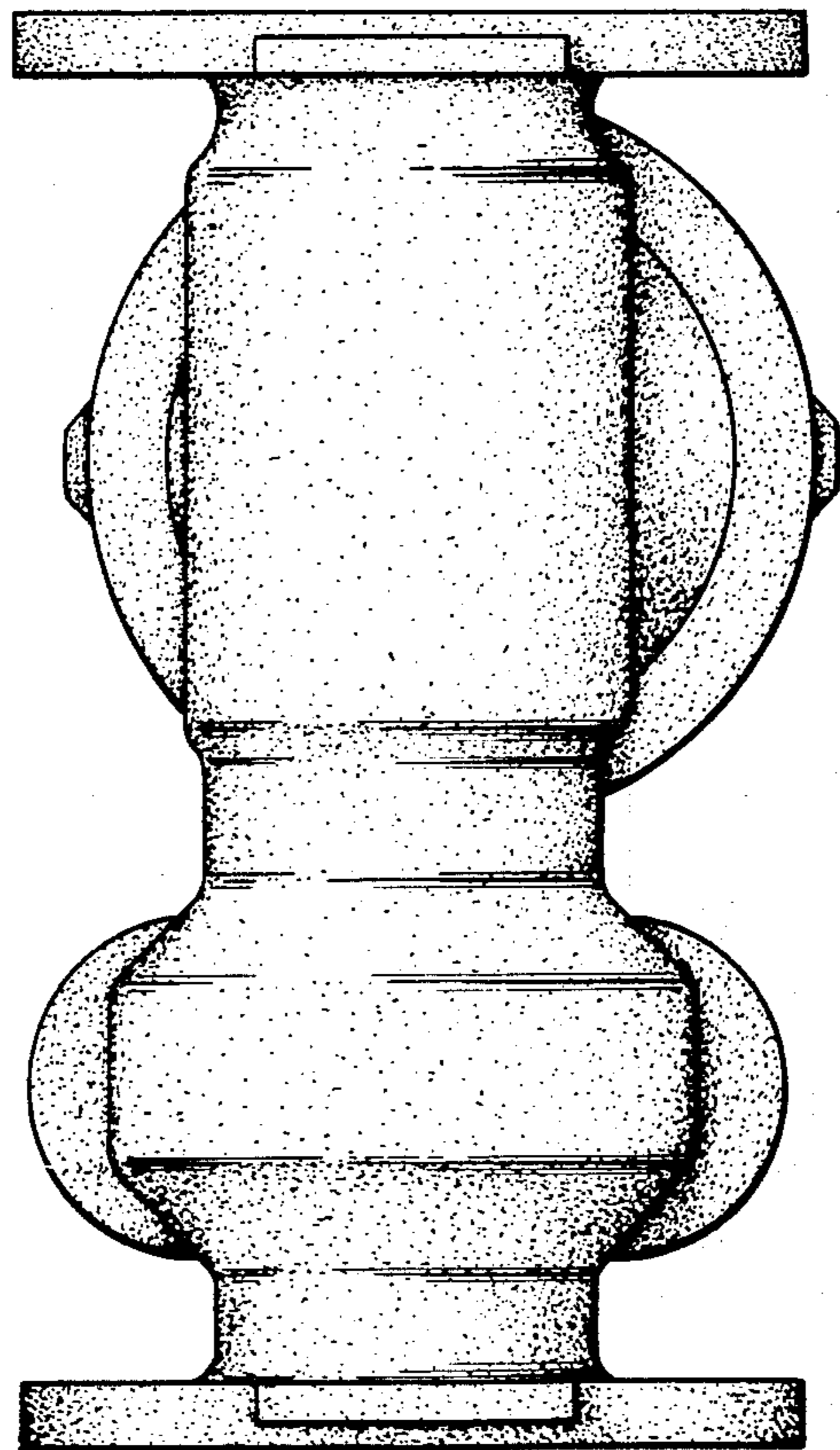


Fig. 4