

[54] LINE LEVEL

4,521,974 6/1985 Neis 33/379

[76] Inventors: Gregory L. Cross; Wendell C. Cross, both of 11413 W. 48th Ave., Wheat Ridge, Colo. 80033

Primary Examiner—Nelson C. Holtje
Attorney, Agent, or Firm—Horace B. Van Valkenburgh

[**] Term: 14 Years

[57] CLAIM

The ornamental design for a line level, as shown and described.

[21] Appl. No.: 598,218

DESCRIPTION

[22] Filed: Apr. 9, 1984

[52] U.S. Cl. D10/69

[58] Field of Search D10/69; 73/348.2, 379

FIG. 1 is a front elevational view of a line level showing our new design;

FIG. 2 is a rear elevational view thereof;

FIG. 3 is a top plan view thereof;

FIG. 4 is a bottom plan view thereof;

FIG. 5 is a left side elevational view thereof;

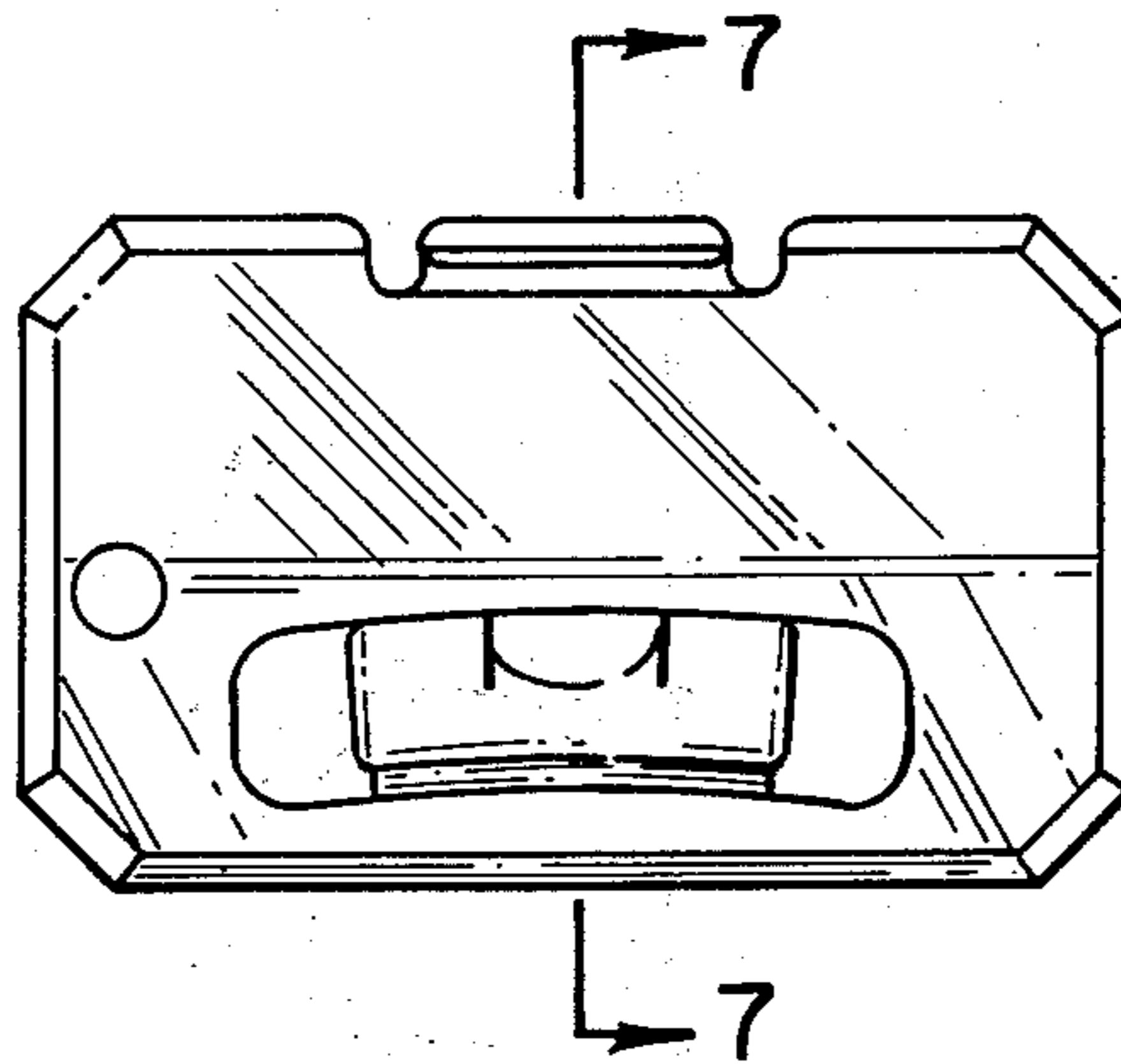
FIG. 6 is a right side elevational view thereof;

FIG. 7 is a cross-sectional view thereof on an enlarged scale as taken from line 7—7 of FIG. 1.

[56] References Cited

U.S. PATENT DOCUMENTS

- D. 229,225 11/1973 Covey D10/69
- D. 255,434 6/1980 Hanson D10/69
- D. 256,337 8/1980 Derryberry D10/69



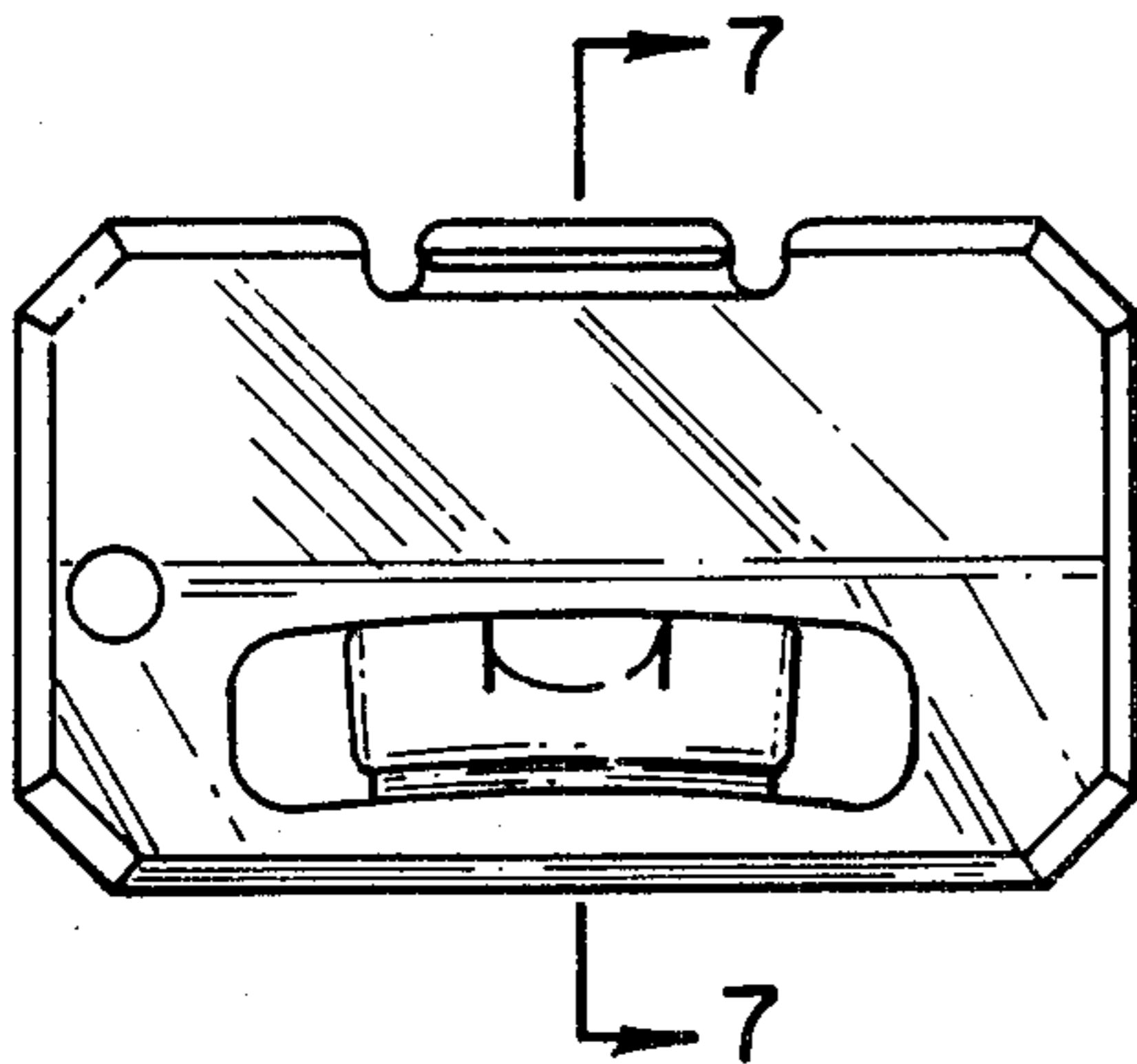


FIG. 1

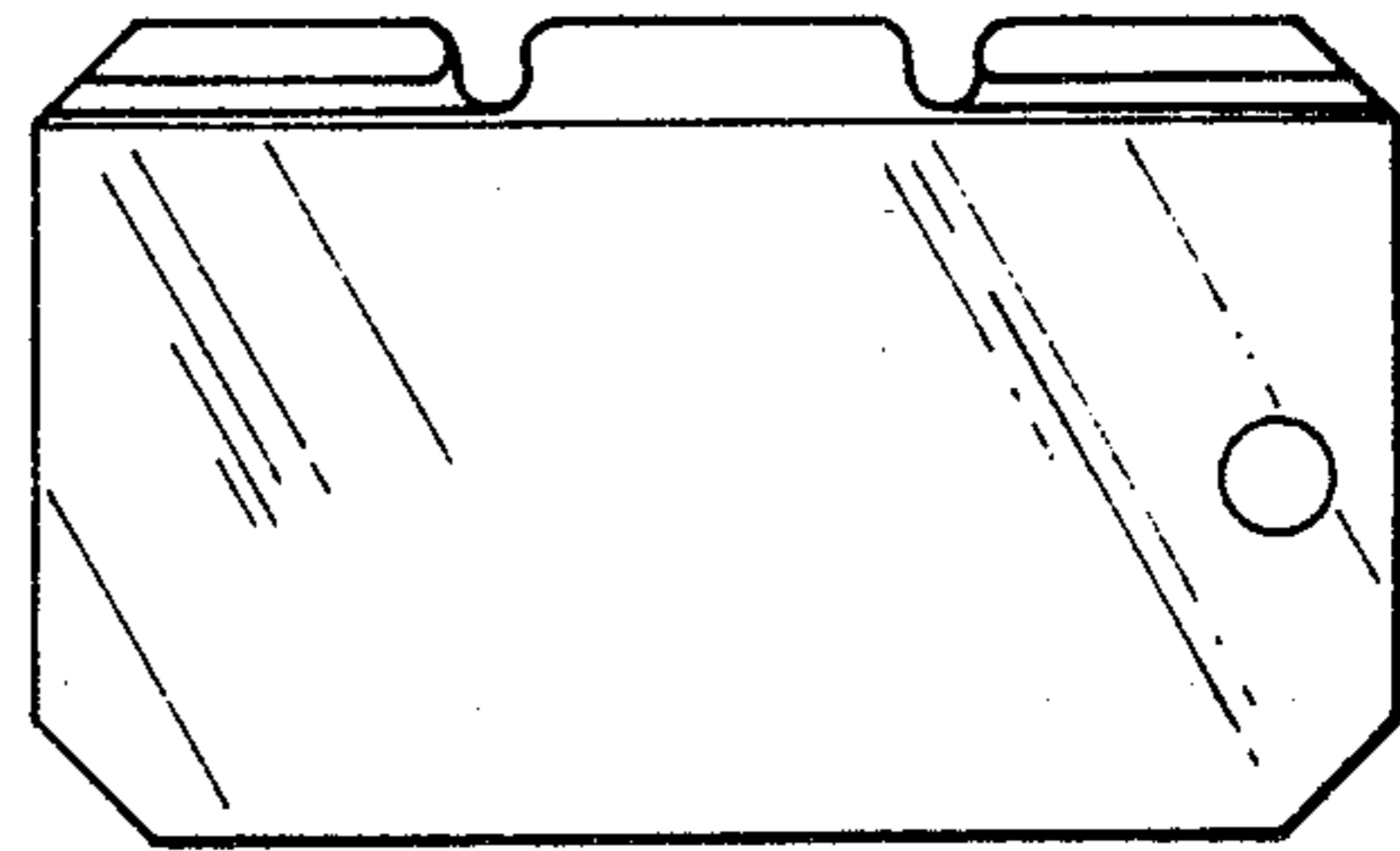


FIG. 2

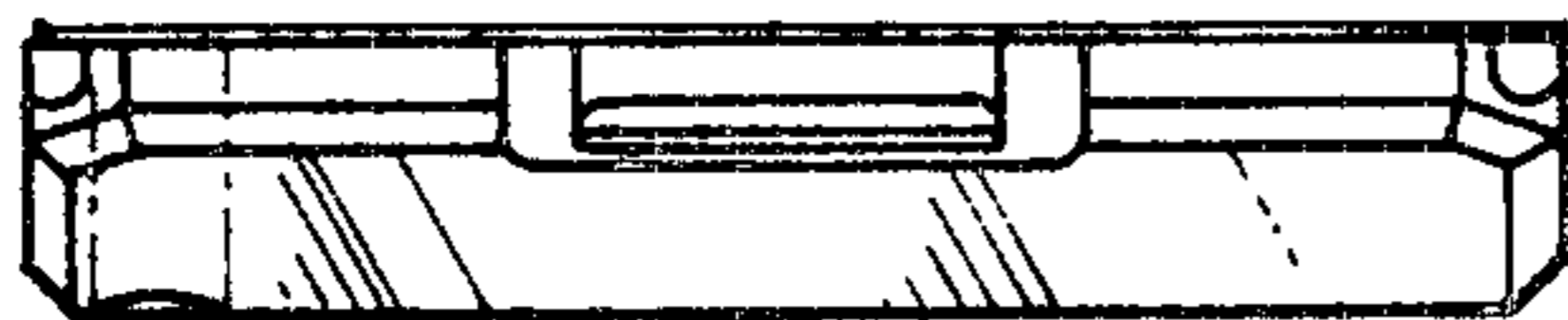


FIG. 3

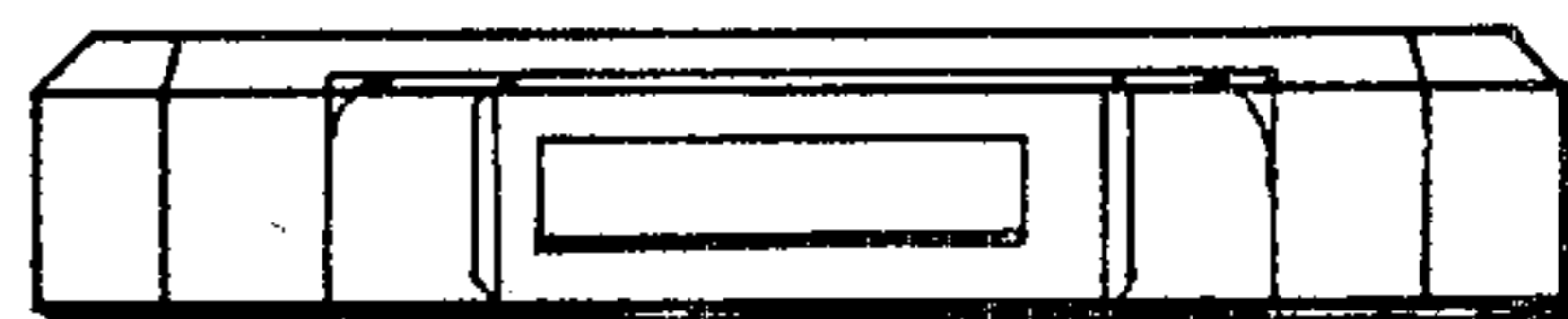


FIG. 4

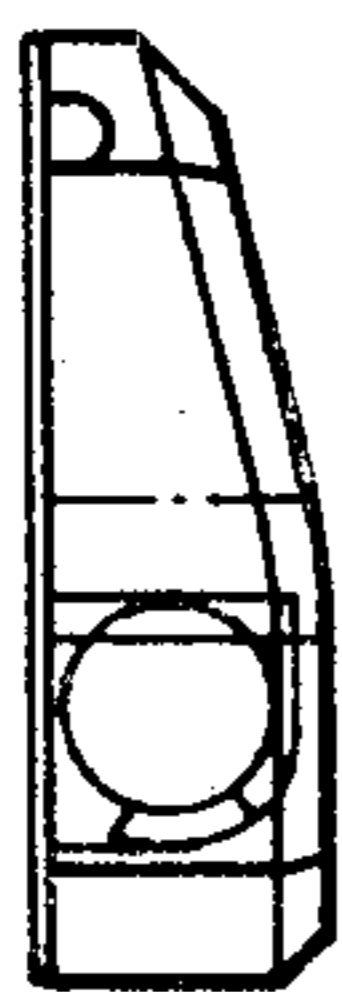


FIG. 5

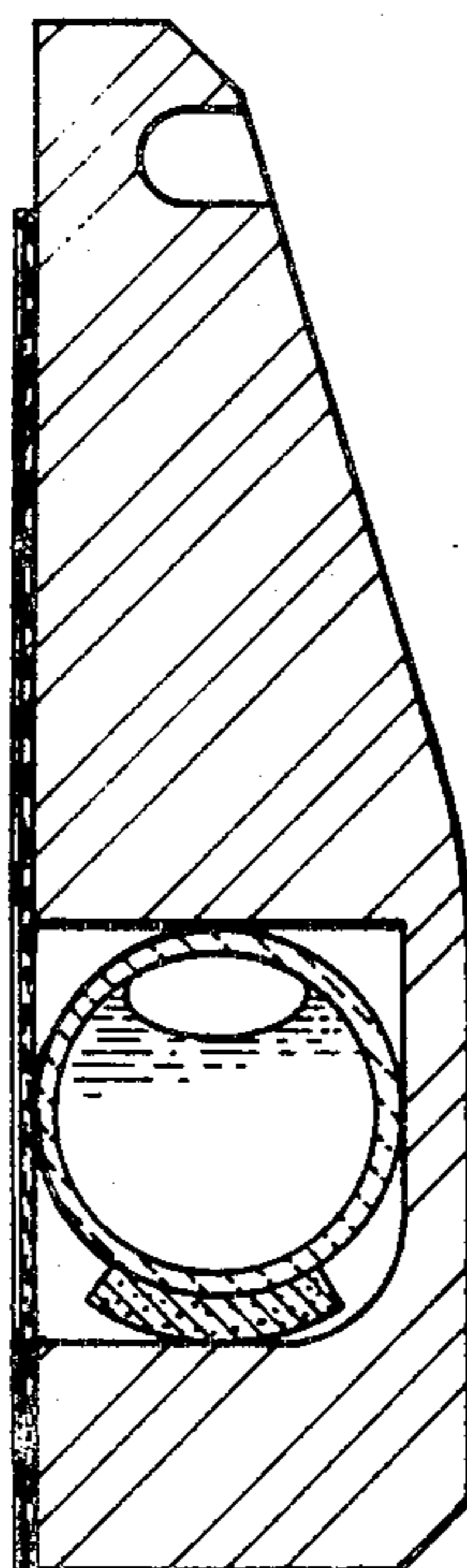


FIG. 7

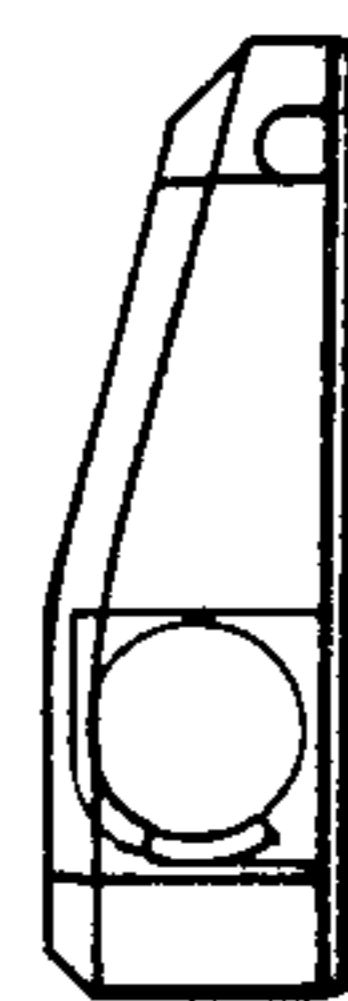


FIG. 6