

[54] CONTAINER CLOSURE

[75] Inventor: Odin F. Miner, Lenexa, Kans.

[73] Assignee: Miner Container Printing, Inc., Lenexa, Kans.

[**] Term: 14 Years

[21] Appl. No.: 629,893

[22] Filed: Jul. 11, 1984

[52] U.S. Cl. D9/443; D9/440; D9/450; D9/453

[58] Field of Search D9/300, 436, 438, 440, D9/443, 449, 453, 447, 450; 215/200, 306, 355, 274; 222/534, 528, 544-546, 556; 220/94 R, 94 A

[56] References Cited

U.S. PATENT DOCUMENTS

- D. 160,491 10/1950 Goldman D9/443
- D. 195,372 6/1963 Worsley D9/439
- D. 206,029 10/1966 Stull D9/443
- D. 217,711 6/1970 Hazard D9/450
- D. 268,722 4/1983 Bova D9/443 X
- D. 270,521 9/1983 Morris D9/443

D. 275,457 9/1984 Libit D9/450

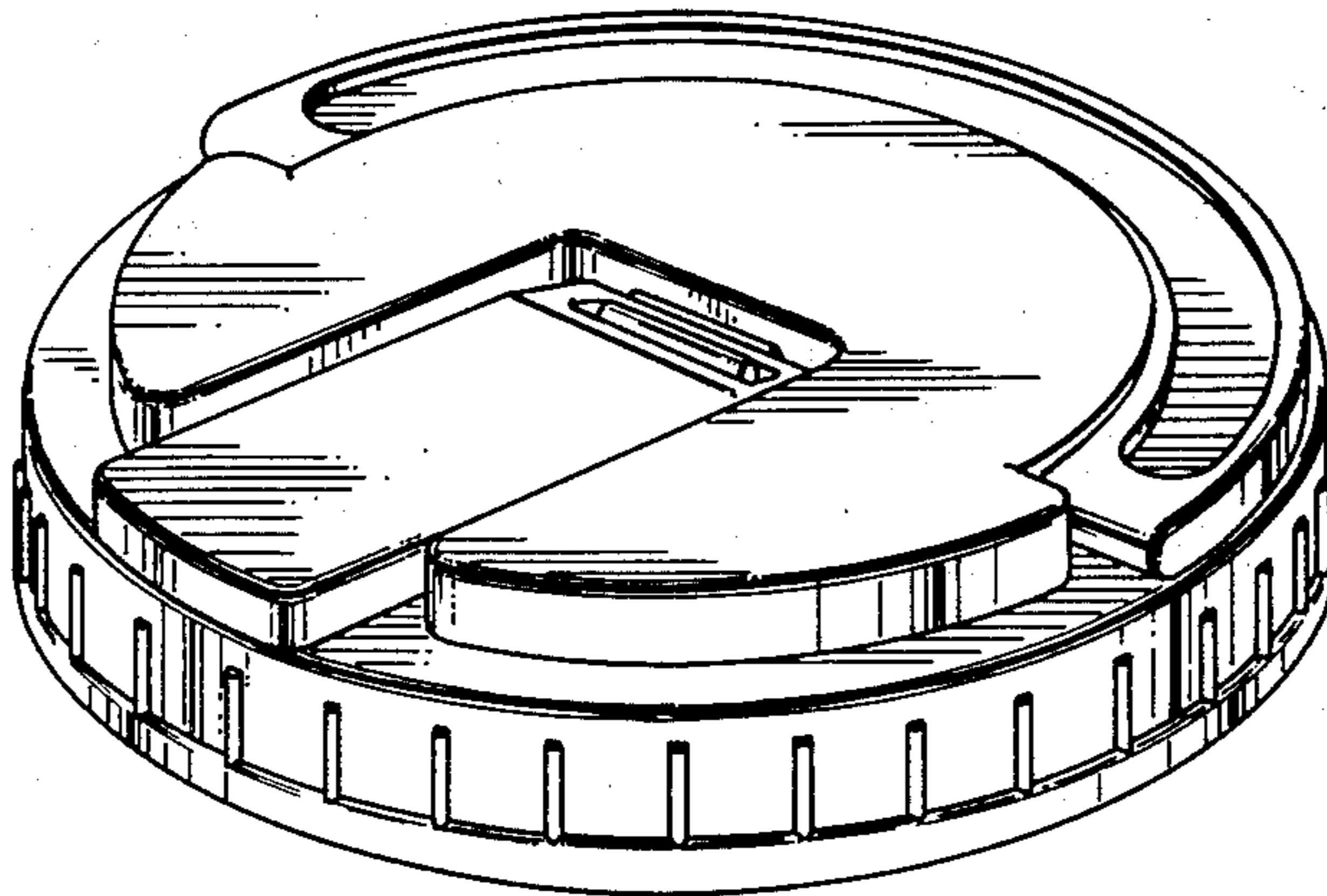
Primary Examiner—Robert C. Spangler
Attorney, Agent, or Firm—Kokjer, Kircher, Bradley, Wharton, Bowman & Johnson

[57] CLAIM

The ornamental design for a container closure, as shown and described.

DESCRIPTION

FIG. 1 is a front perspective view of a container closure embodying my new design showing the pivotal spout cap and pivotal handle in their downward positions; FIG. 2 is a top plan view thereof; FIG. 3 is a bottom plan view thereof; FIG. 4 is a front elevational view thereof; FIG. 5 is a side elevational view thereof; FIG. 6 is a rear elevational view thereof; FIG. 7 is a front perspective view showing the pivotal cap and handle in their raised positions; FIG. 8 is a top plan view thereof; FIG. 9 is a bottom plan view thereof; FIG. 10 is a front elevational view thereof; FIG. 11 is a side elevational view thereof; and FIG. 12 is a rear elevational view thereof.



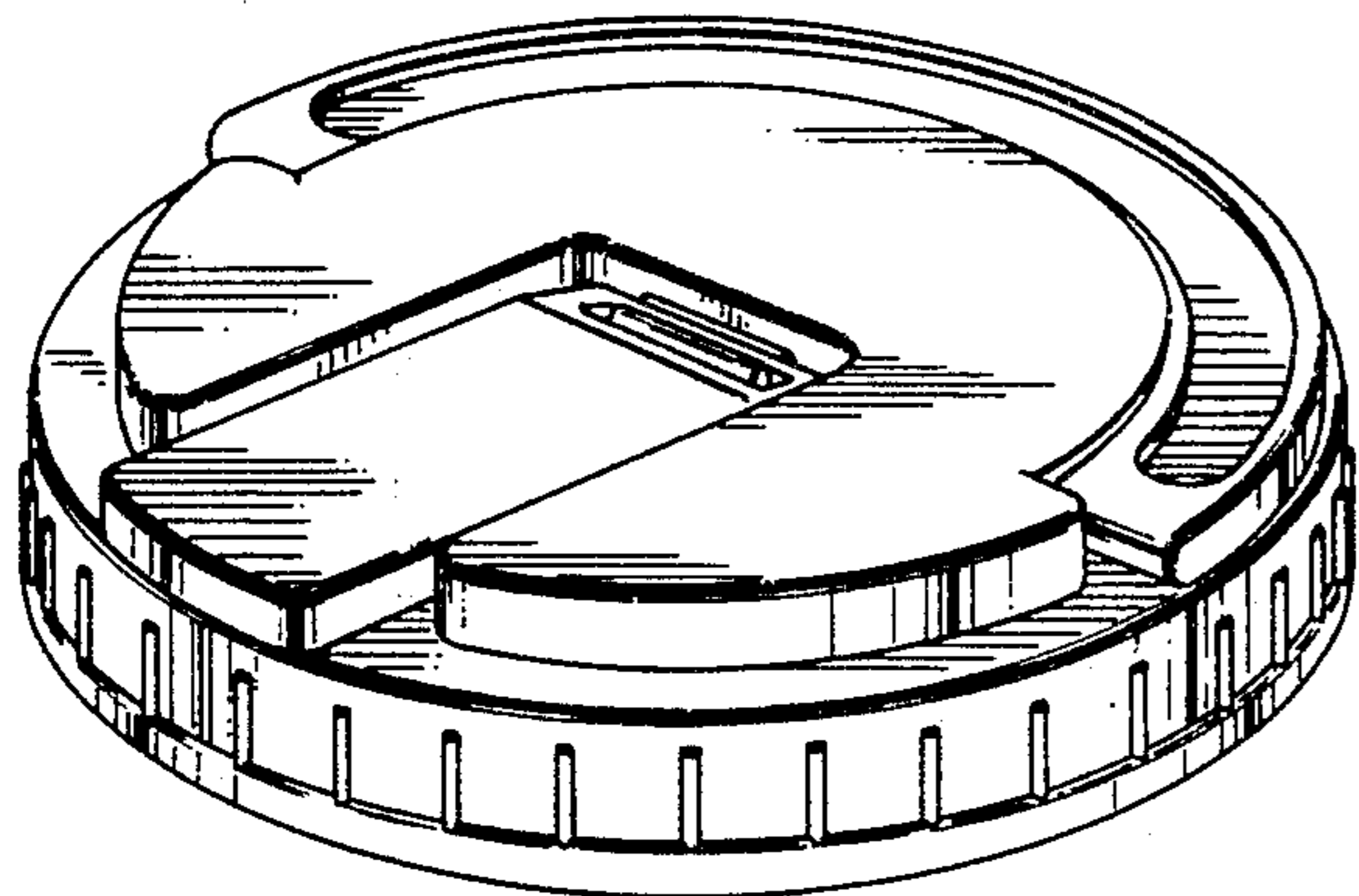


Fig. 1.

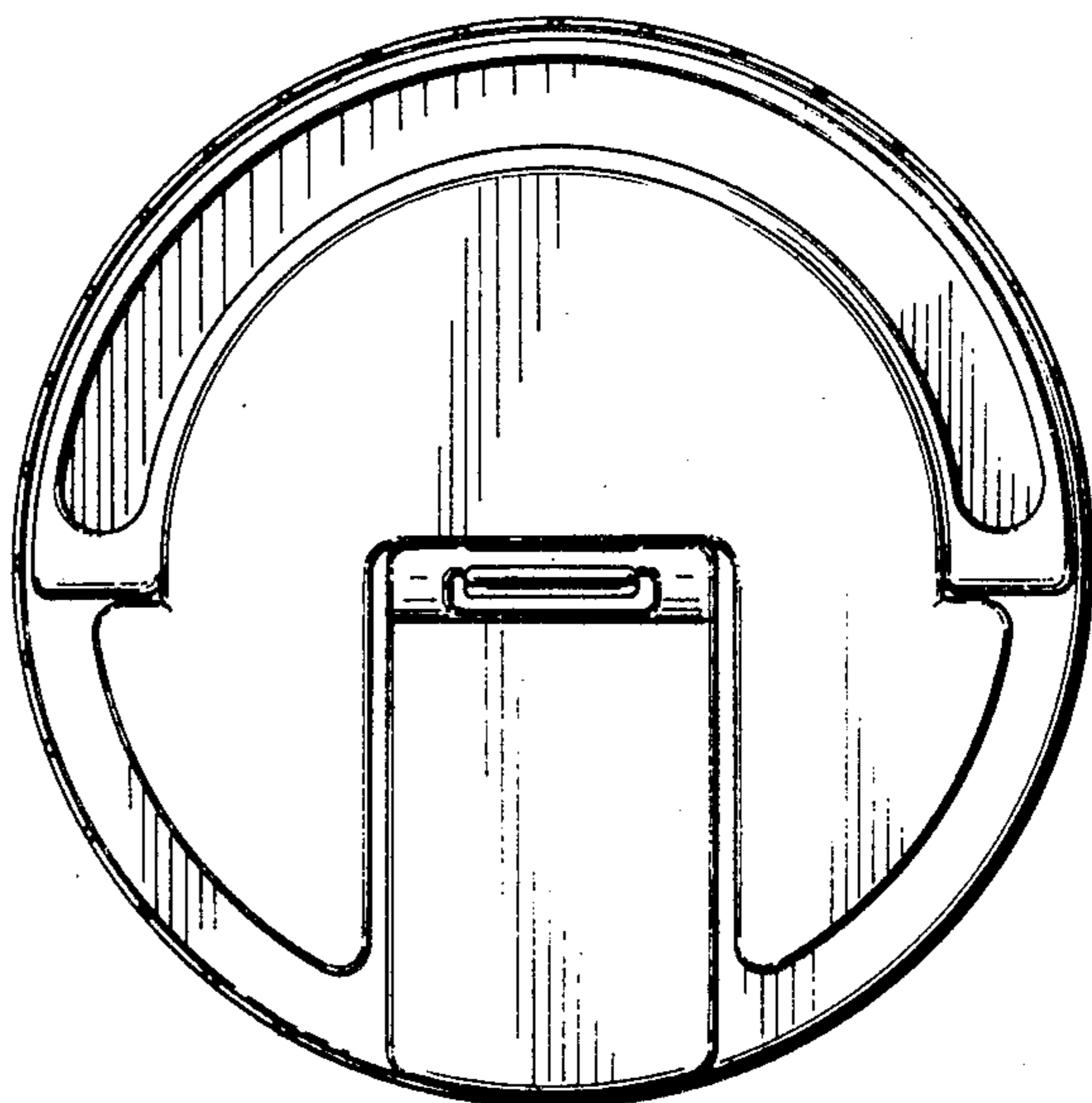


Fig. 2.

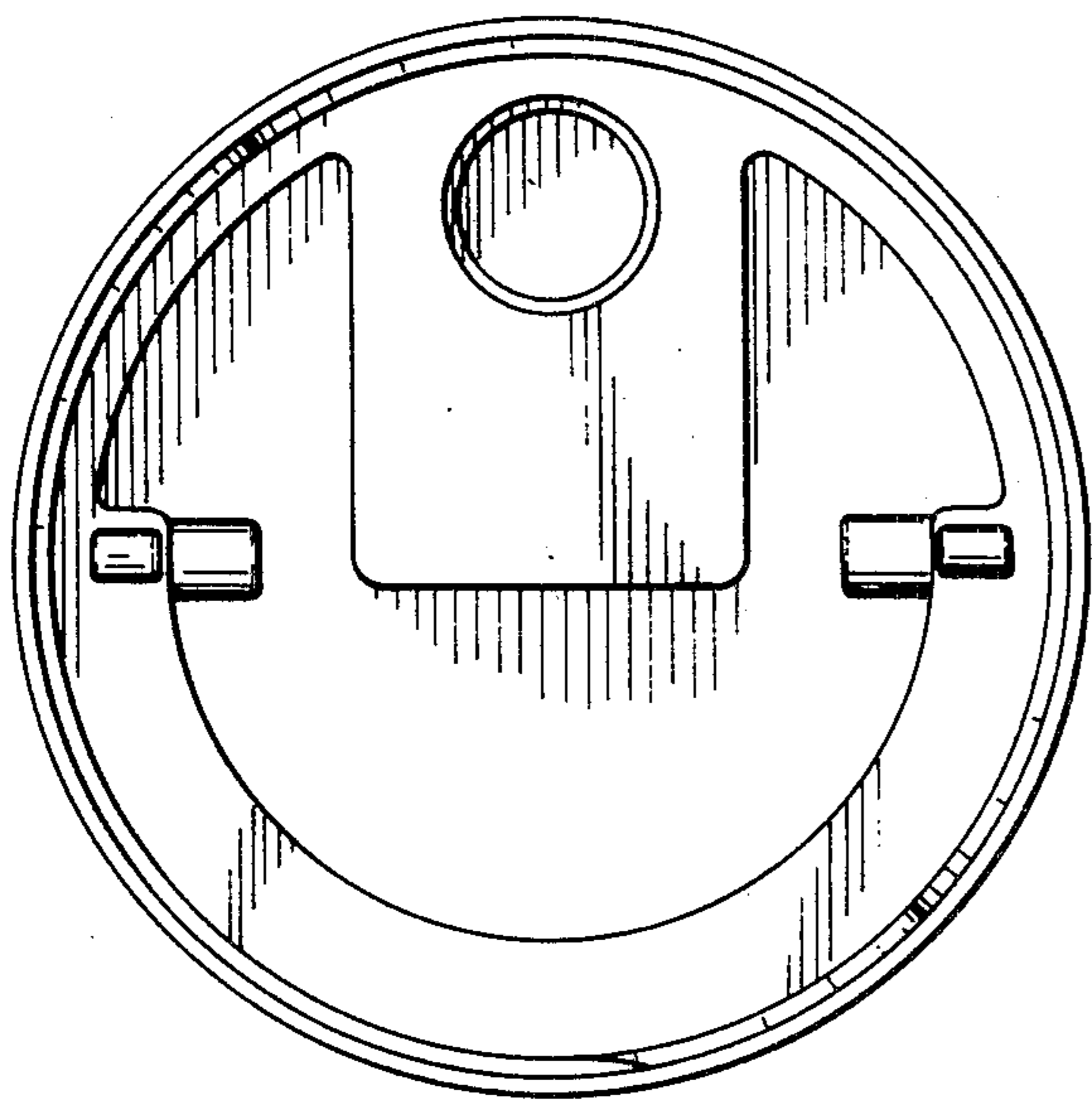


Fig. 3.

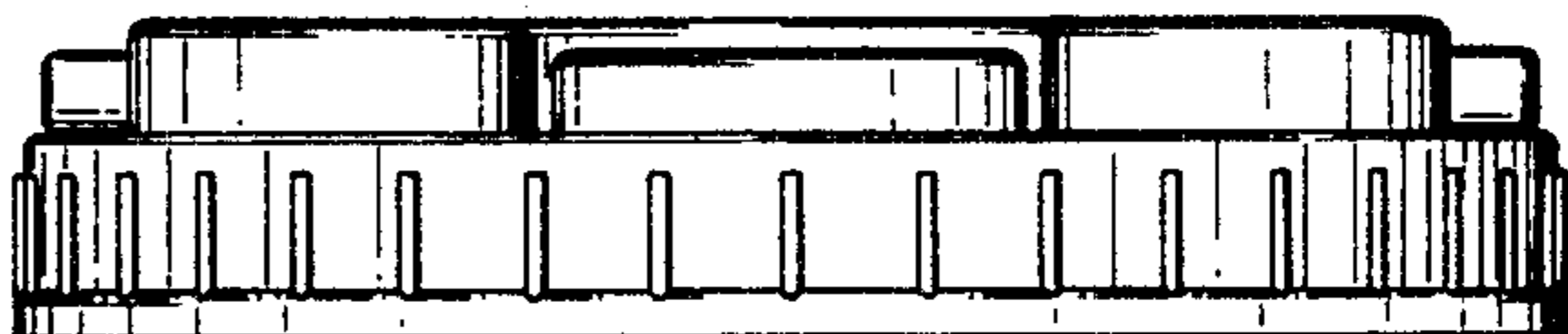


Fig. 4.

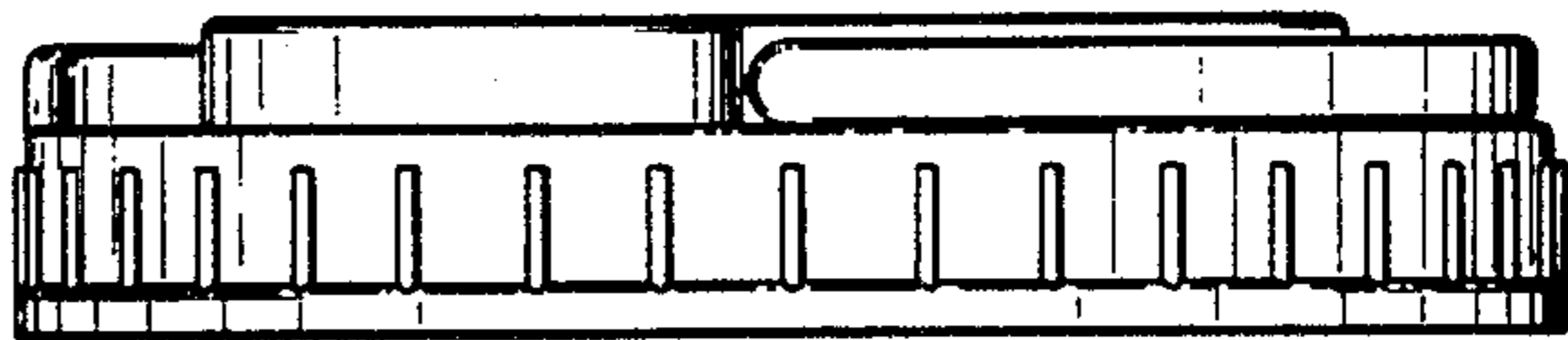


Fig. 5.

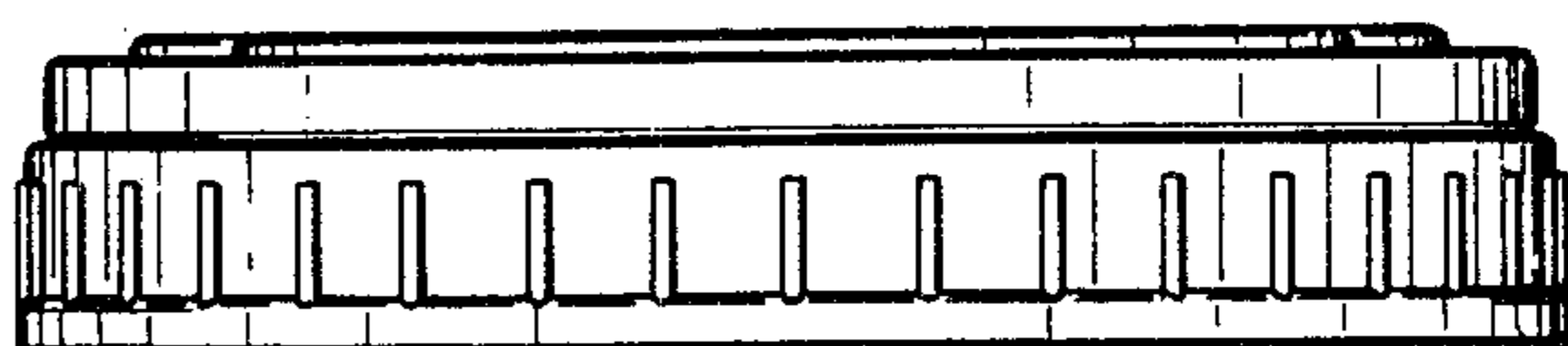


Fig. 6.

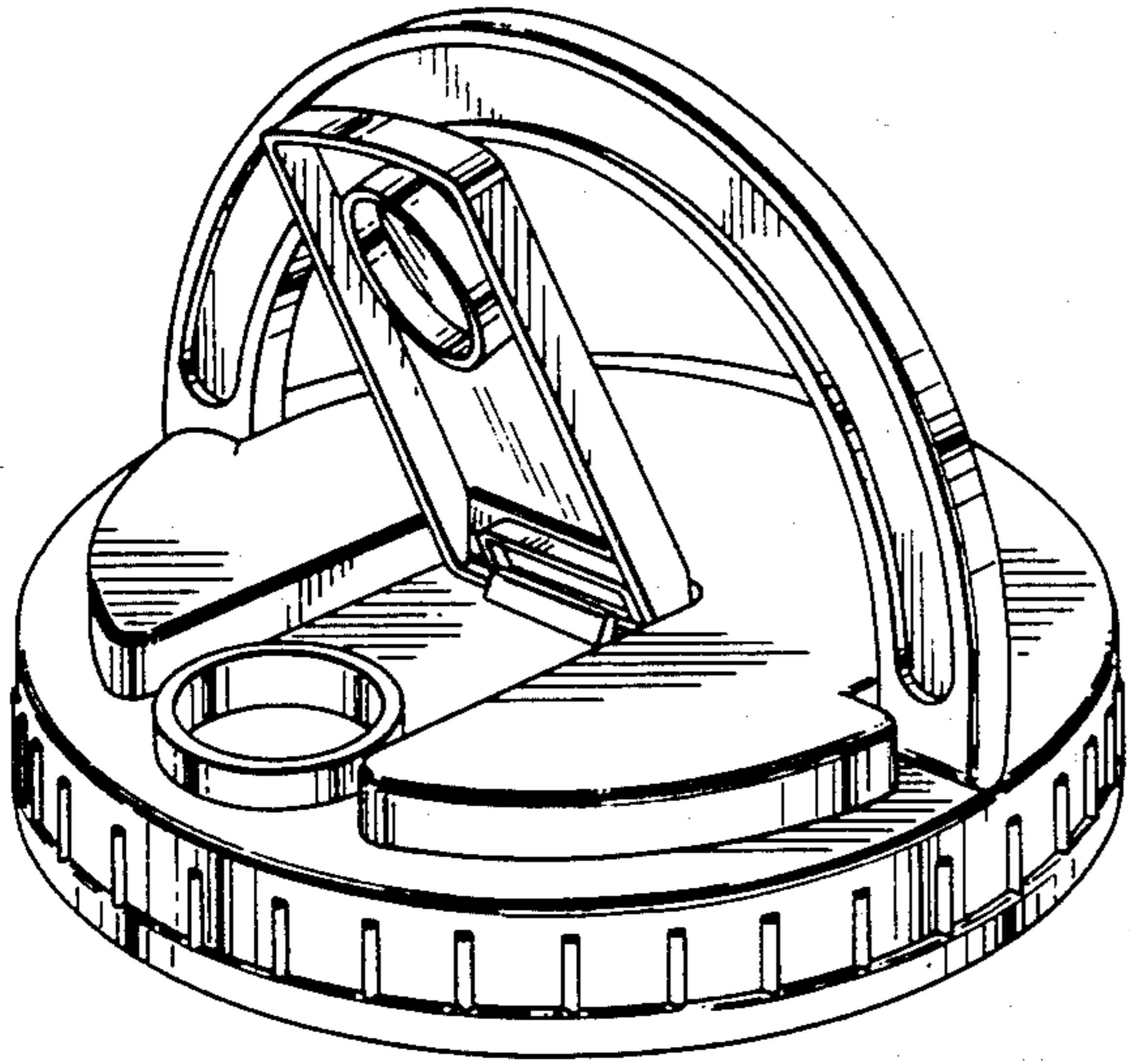


Fig. 7.

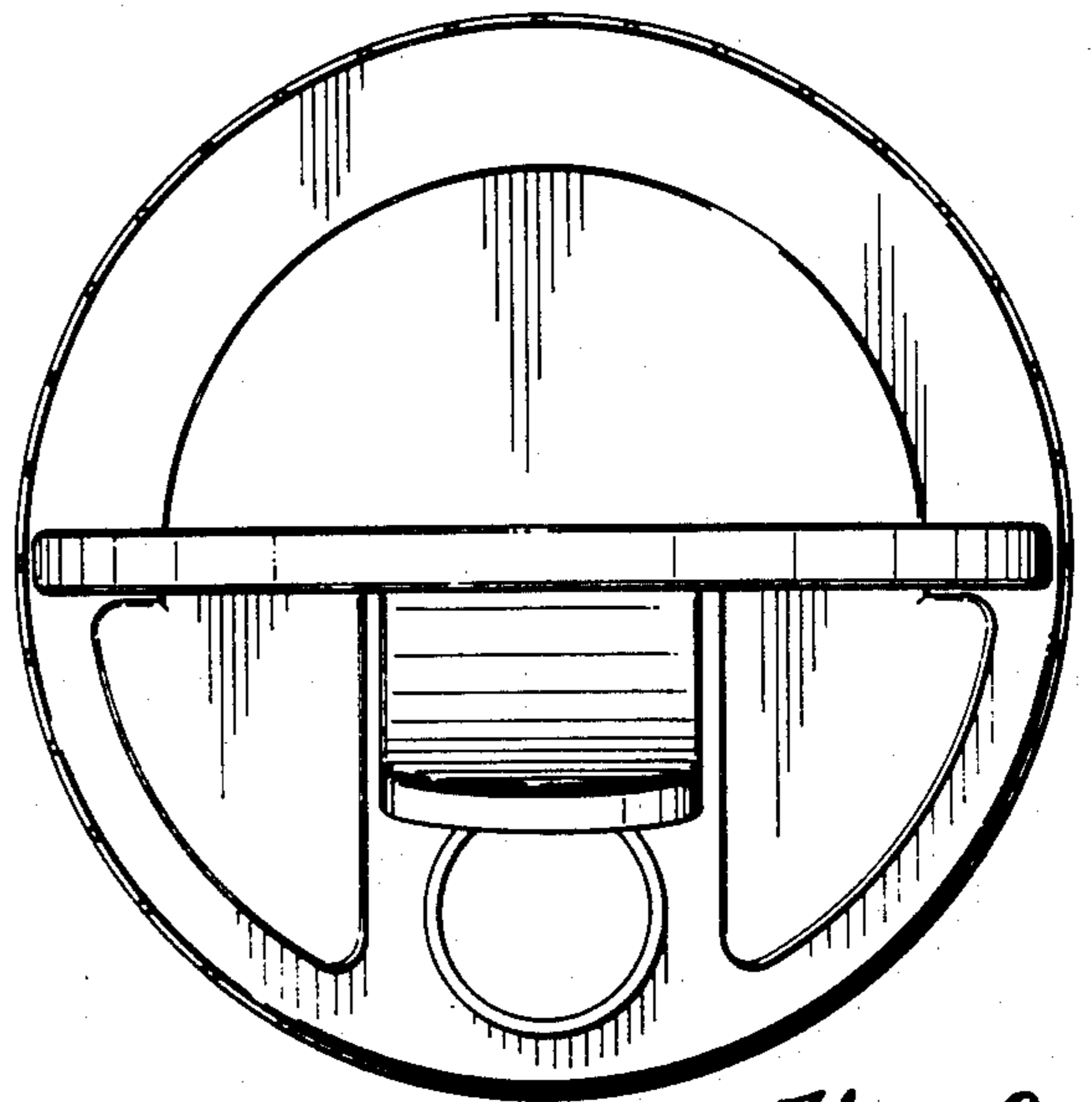


Fig. 8.

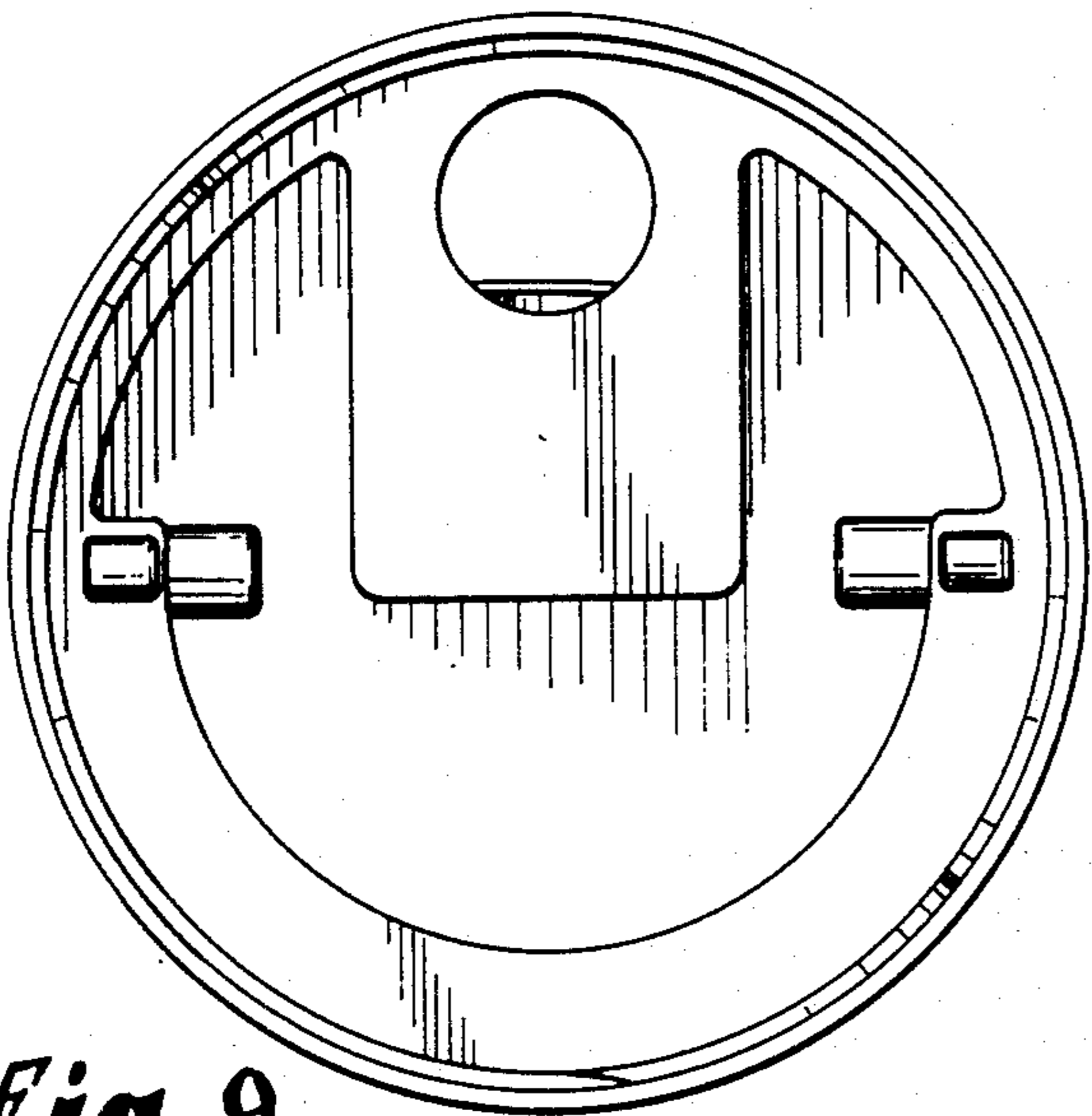


Fig. 9.

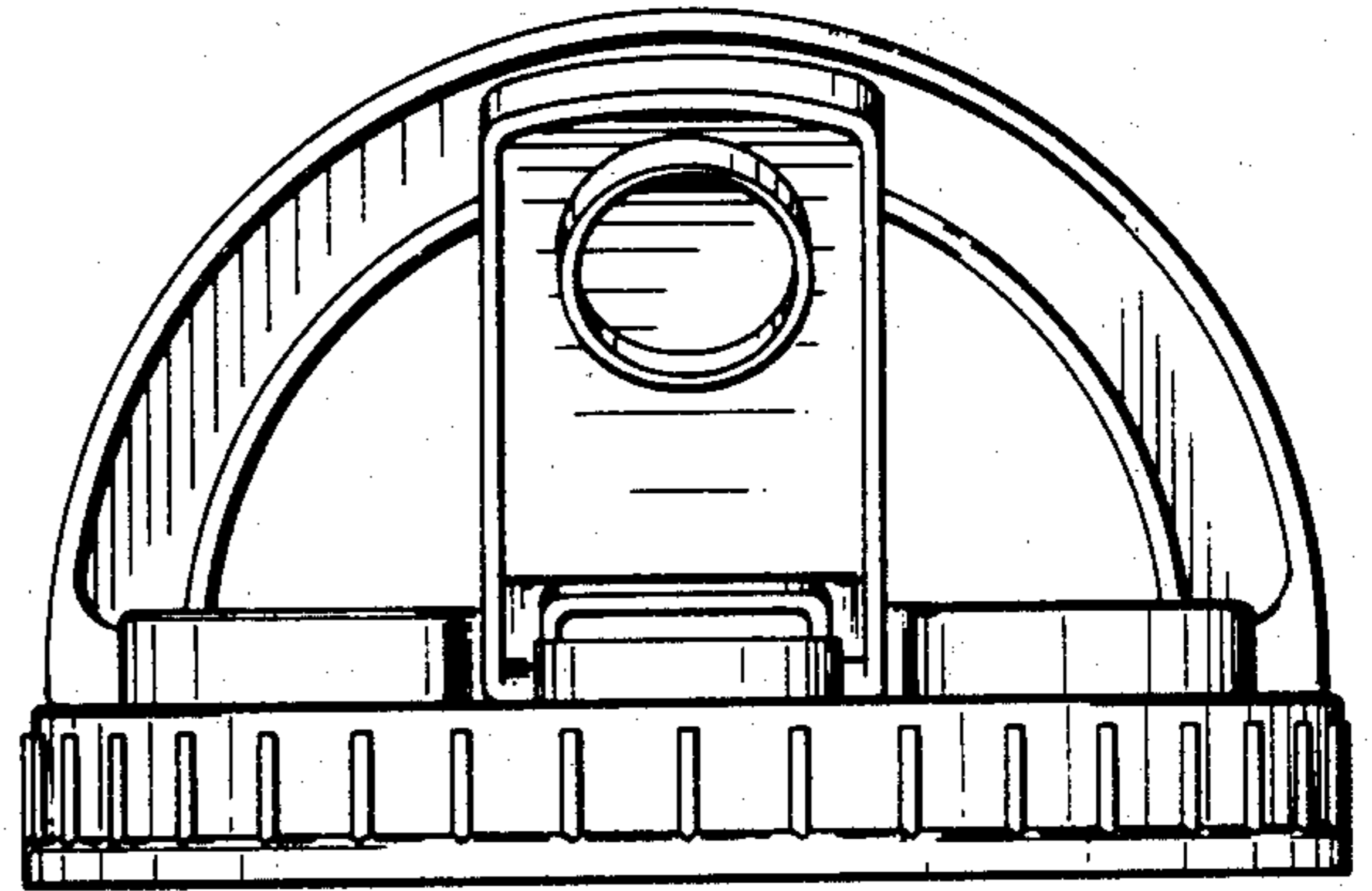


Fig. 10.

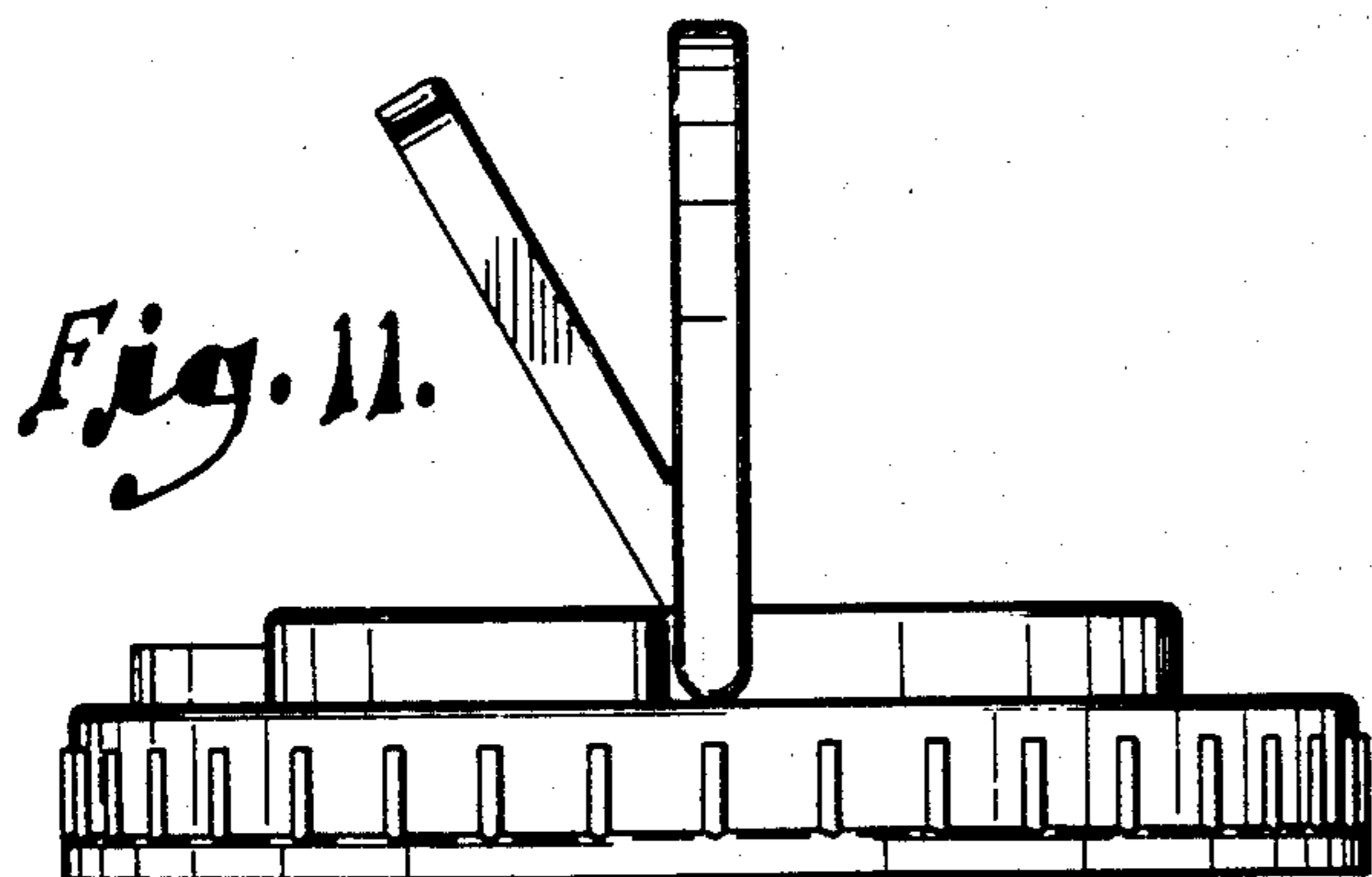


Fig. 11.

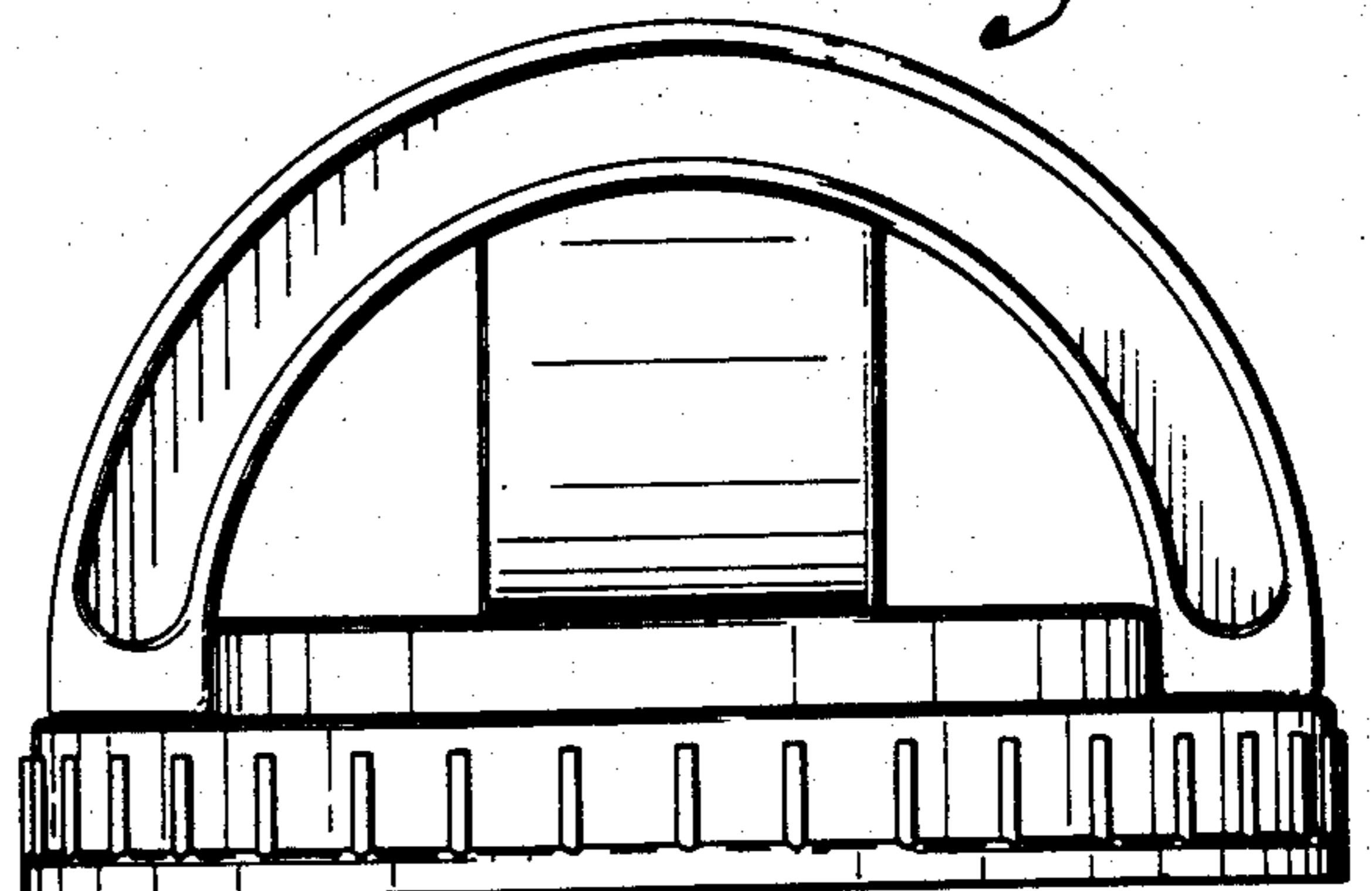


Fig. 12.