

[54] **ROLLER CHAIN TOOL**

[76] **Inventor:** George Hamatani, Rte. 1, Box 400, Clarksburg, Calif. 95612

[**] **Term:** 14 Years

[21] **Appl. No.:** 663,642

[22] **Filed:** Oct. 22, 1984

[52] **U.S. Cl.** D8/72; D8/51

[58] **Field of Search** D8/14, 72, 51; 81/90.1, 81/90.3, 90.9; 269/237, 239, 240

[56] **References Cited**

U.S. PATENT DOCUMENTS

D. 240,704	7/1976	Busse	D8/72
D. 281,856	12/1985	Hamatani	D8/51
3,736,629	6/1973	Blake	D8/72
4,278,246	7/1981	Blake	269/237
4,524,959	6/1985	Kubo	269/239

Primary Examiner—B. J. Bullock
Attorney, Agent, or Firm—Lothrop & West

[57] **CLAIM**

The ornamental design for a roller chain tool, as shown.

DESCRIPTION

FIG. 1 is a perspective view of a roller chain tool, showing my new design, the jaws being in approximately mid-position;

FIG. 2 is a top plan view thereof, showing the jaws in maximum open position;

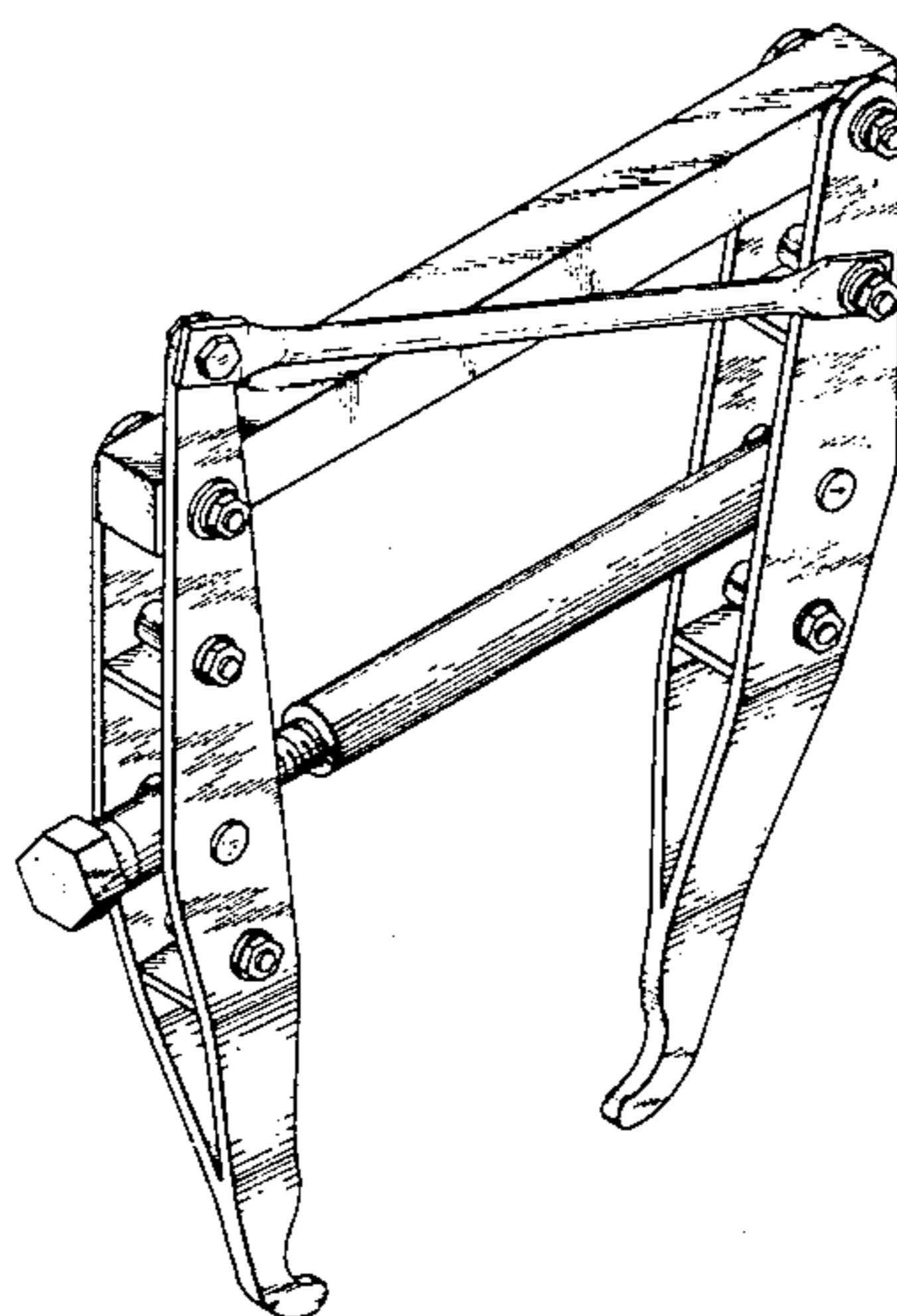
FIG. 3 is a bottom plan view thereof, showing the jaws in maximum closed position;

FIG. 4 is an elevational view of the left side thereof;

FIG. 5 is an elevational view of the right side thereof;

FIG. 6 is a front elevational view thereof, showing the jaws in maximum open position; and,

FIG. 7 is a rear elevational view thereof, showing the jaws in maximum closed position.



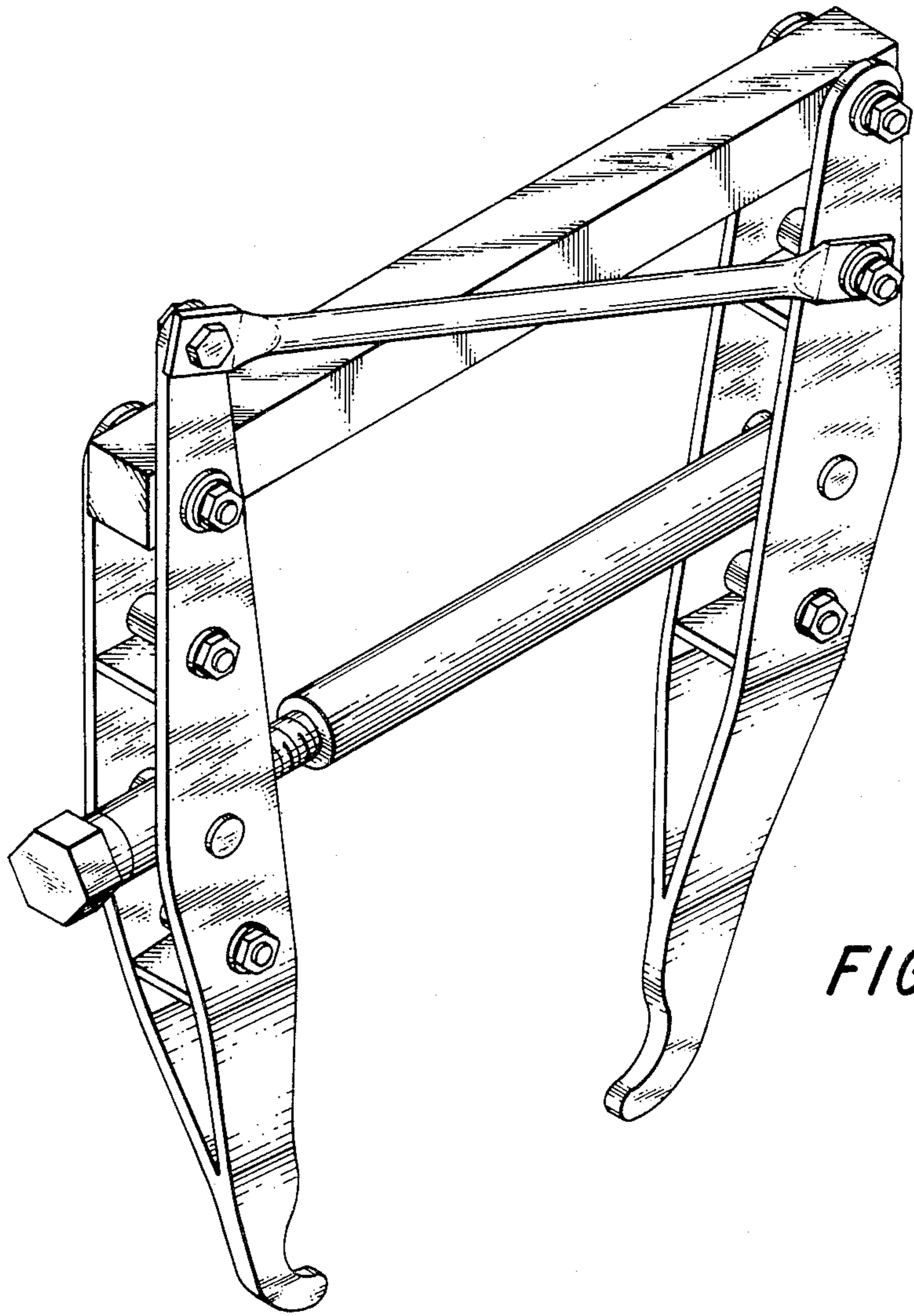


FIG. 1.

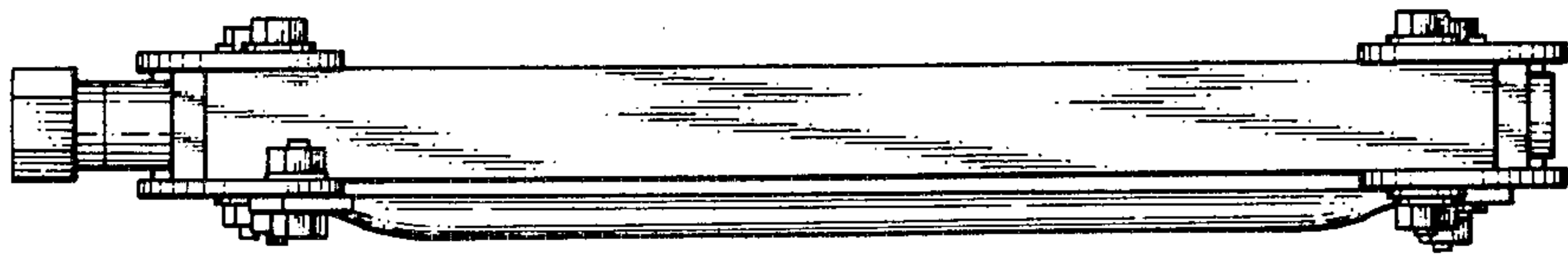


FIG. 2.

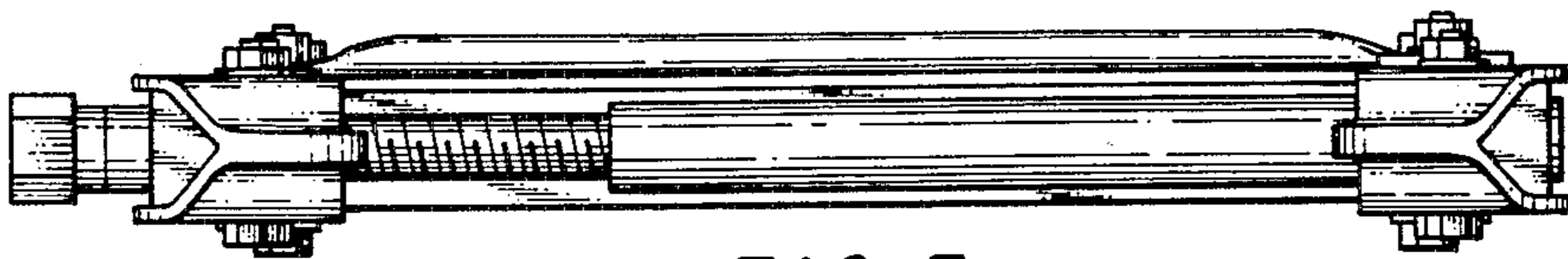


FIG. 3.

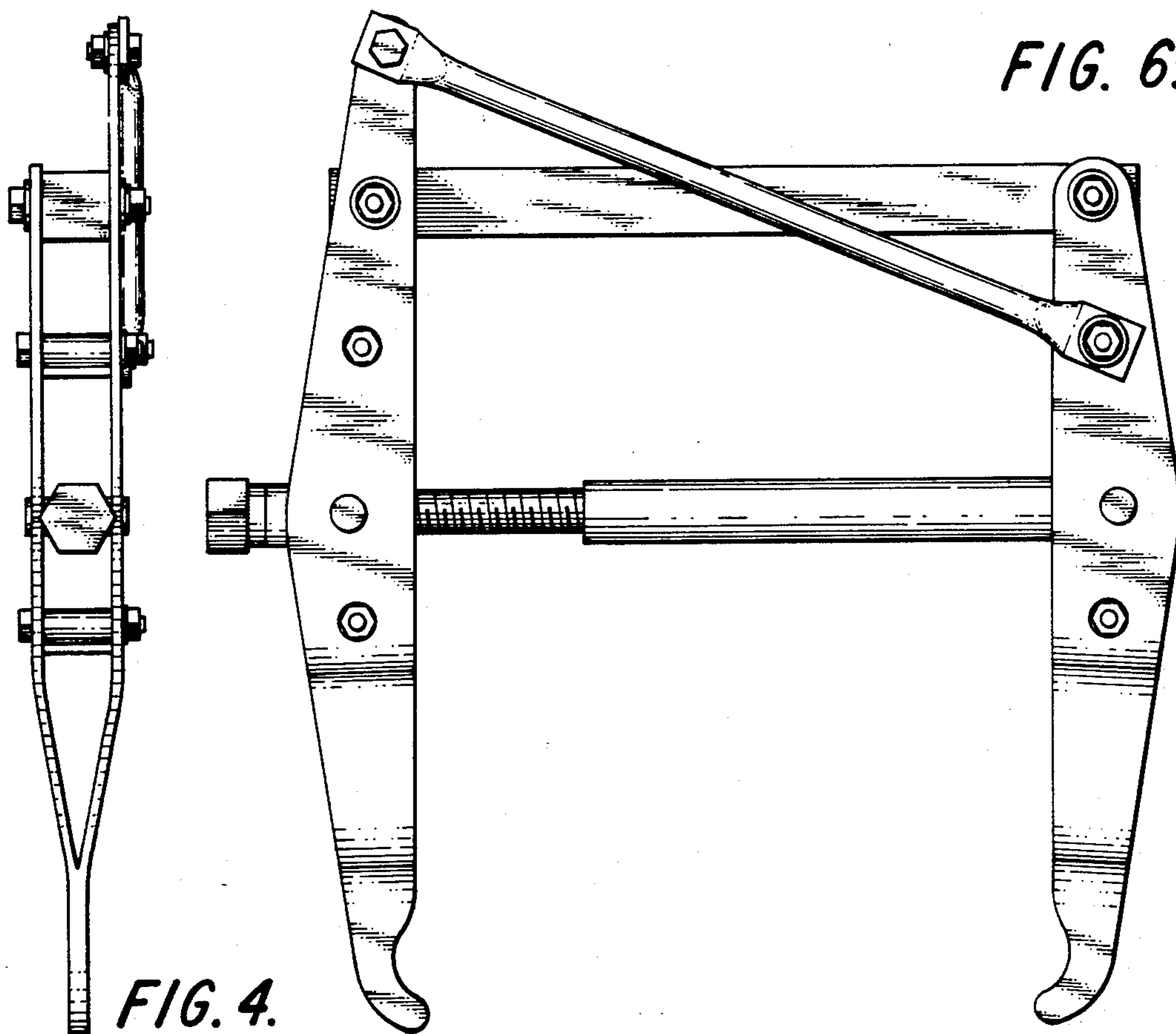


FIG. 6.

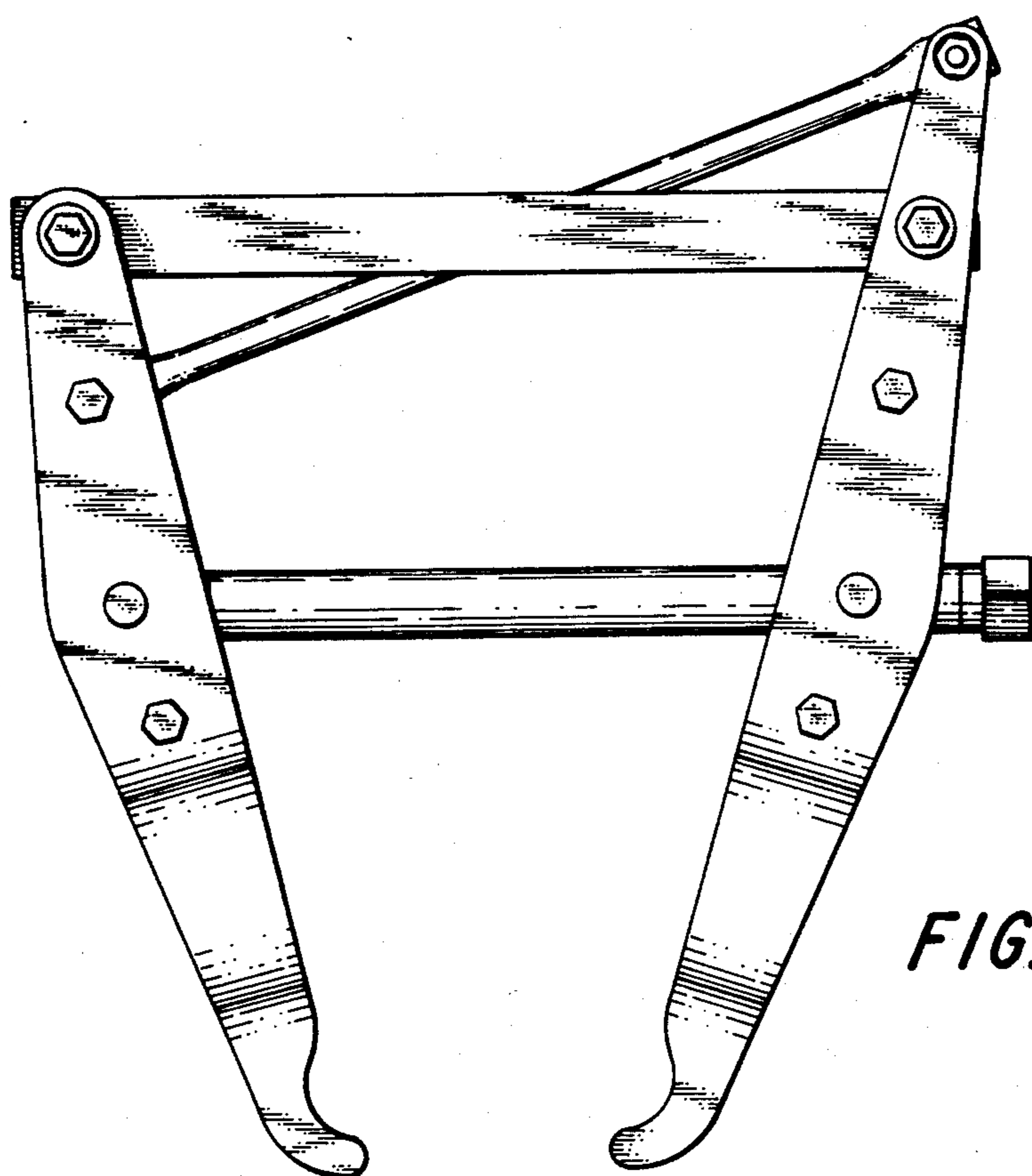


FIG. 7.

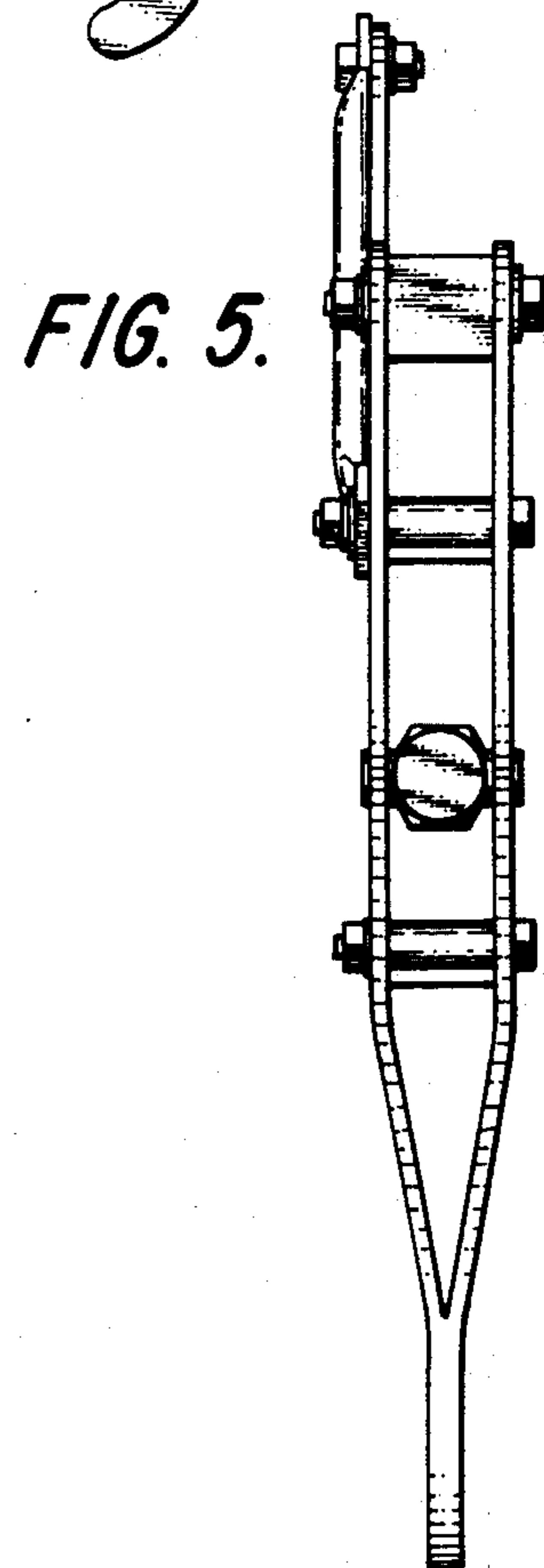


FIG. 5.