

[54] CARAFE OR THE LIKE

[75] Inventor: Octavio Nüsse, Munster, Fed. Rep. of Germany

[73] Assignee: Melitta, Inc., Cherry Hill, N.J.

[**] Term: 14 Years

[21] Appl. No.: 651,288

[22] Filed: Sep. 17, 1984

[52] U.S. Cl. D7/317; D7/319

[58] Field of Search D7/300, 312, 316-322, D7/50

D. 171,662	3/1954	Price	D7/321
D. 210,902	4/1968	Burden	D7/319
2,718,338	9/1955	Cicero	222/469
3,510,027	5/1970	Fails	D7/314 X

OTHER PUBLICATIONS

House Furnishings Review, Jul., 1939, p. 23, "Drip-cut" Dripless Servers #Fiesta Model-top left.

Primary Examiner—Winifred E. Herrmann
Attorney, Agent, or Firm—Jacob Trachtman

[57] CLAIM

The ornamental design for carafe or the like, substantially as shown.

[56] References Cited

U.S. PATENT DOCUMENTS

D. 54,810	3/1920	Aborn	D7/310
D. 90,819	10/1933	Samuels	D7/317
D. 144,945	6/1946	Snyder	D7/310
D. 147,959	11/1947	Chapman	D7/317
D. 161,414	1/1951	Bliss	D7/317

DESCRIPTION

FIG. 1 is a side elevational view of a carafe or the like showing my new design;
FIG. 2 is a front elevational view thereof;
FIG. 3 is a rear elevational view thereof;
FIG. 4 is a top plan view thereof; and
FIG. 5 is a bottom plan view thereof.

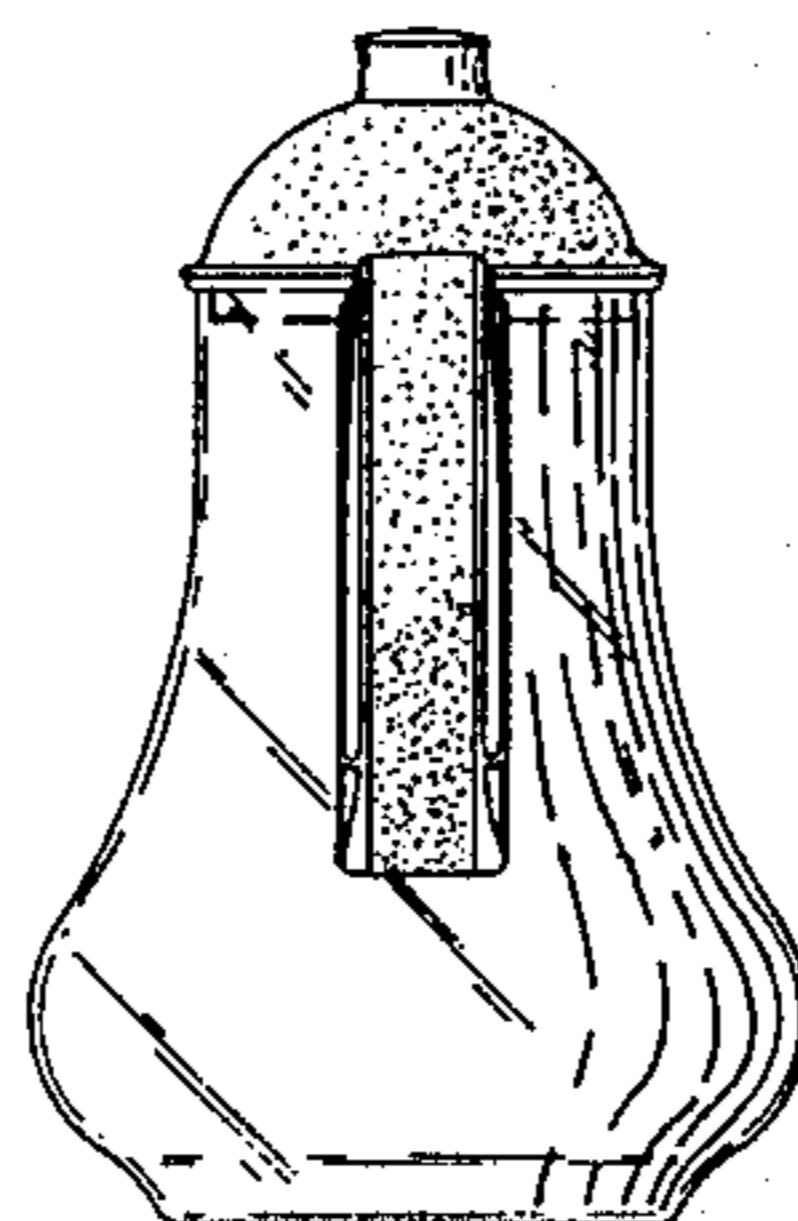
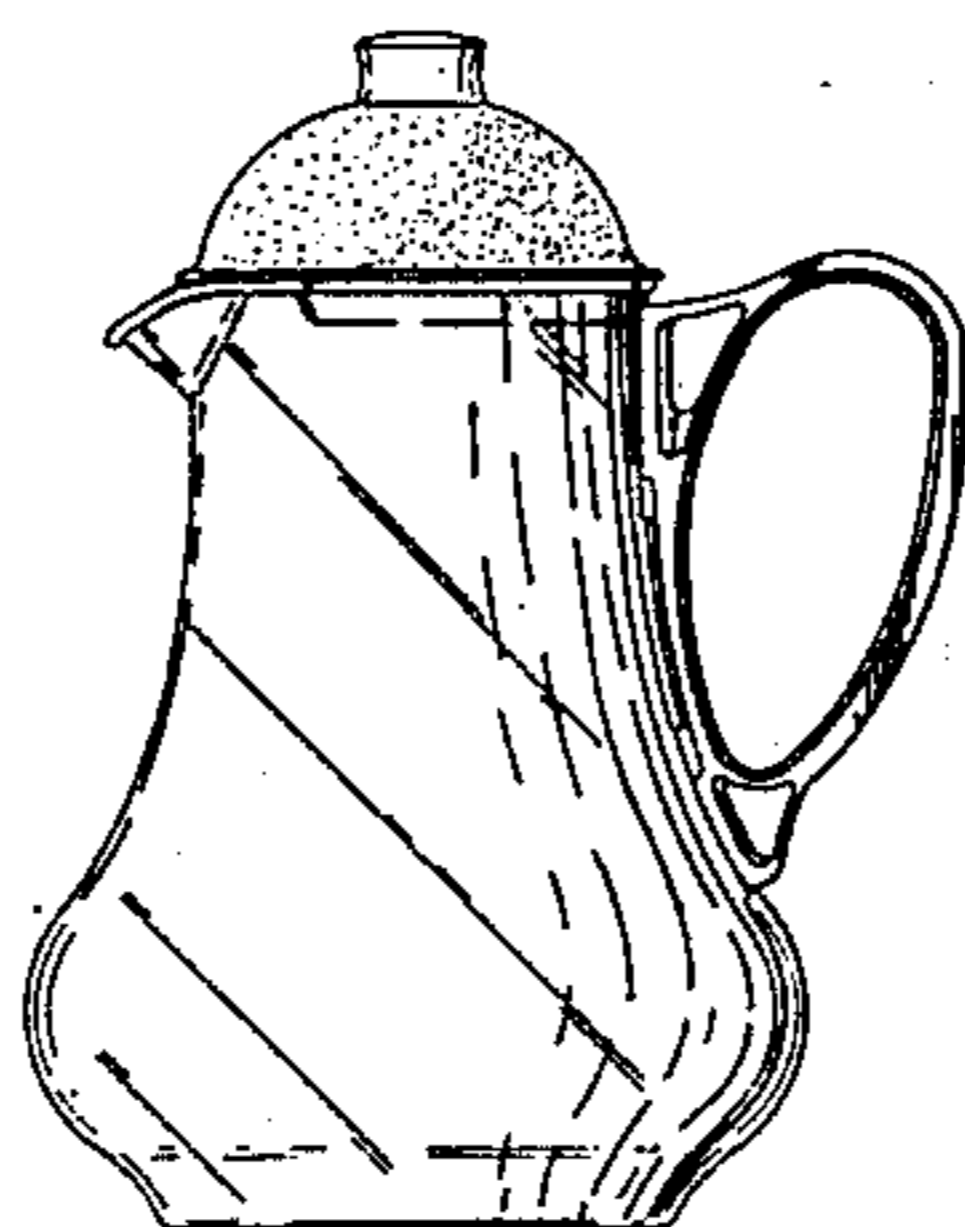


FIG. 1

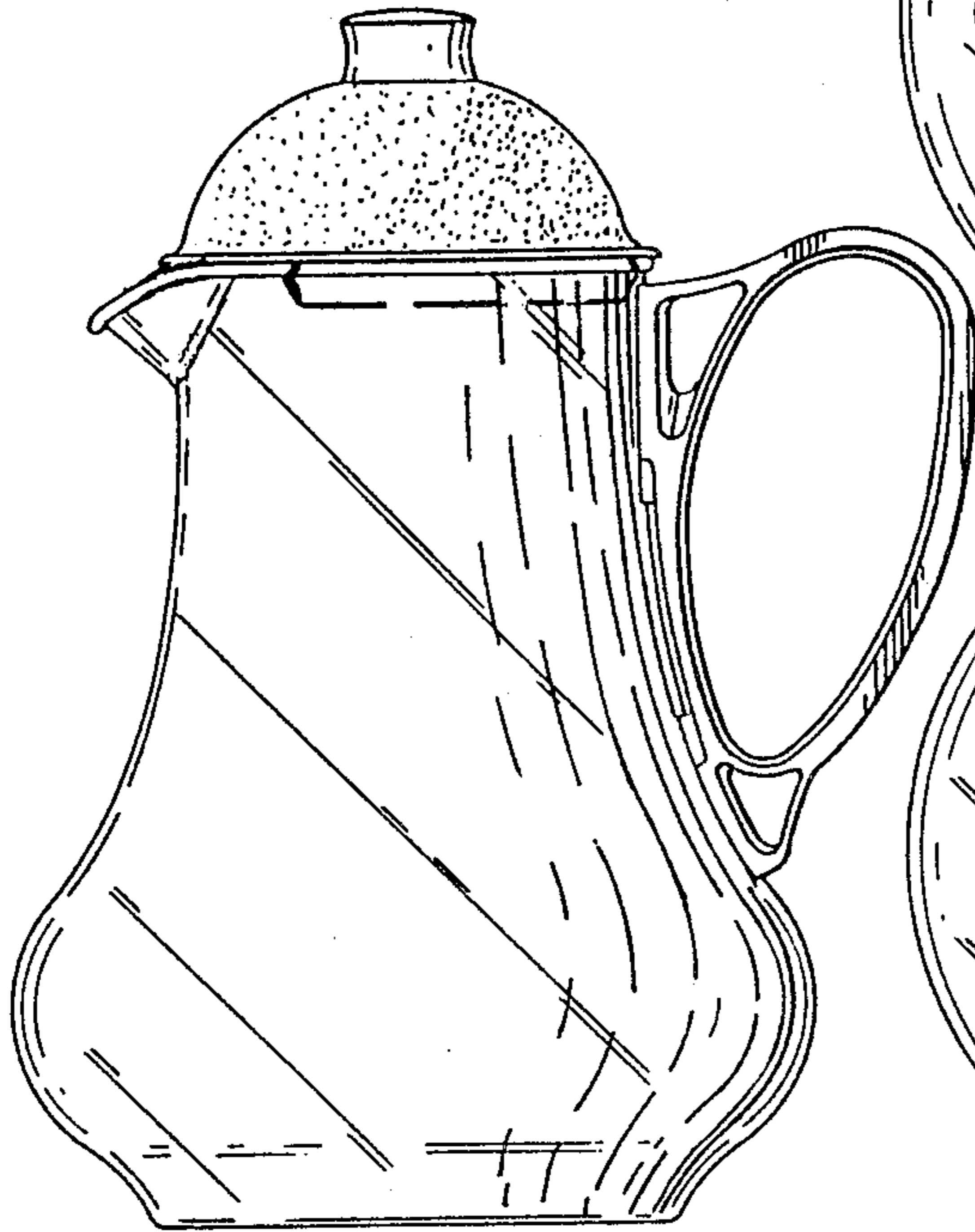


FIG. 4

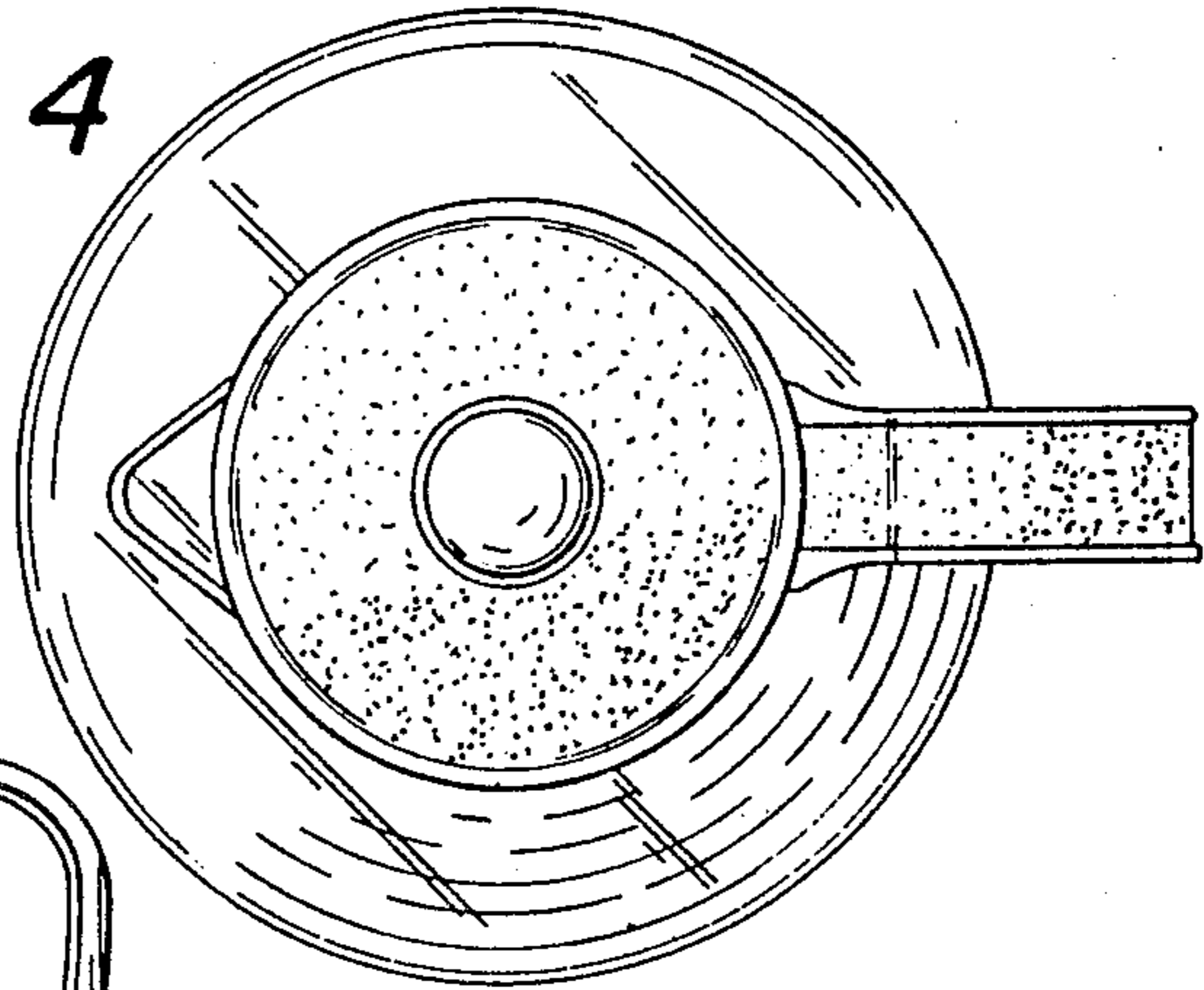


FIG. 5

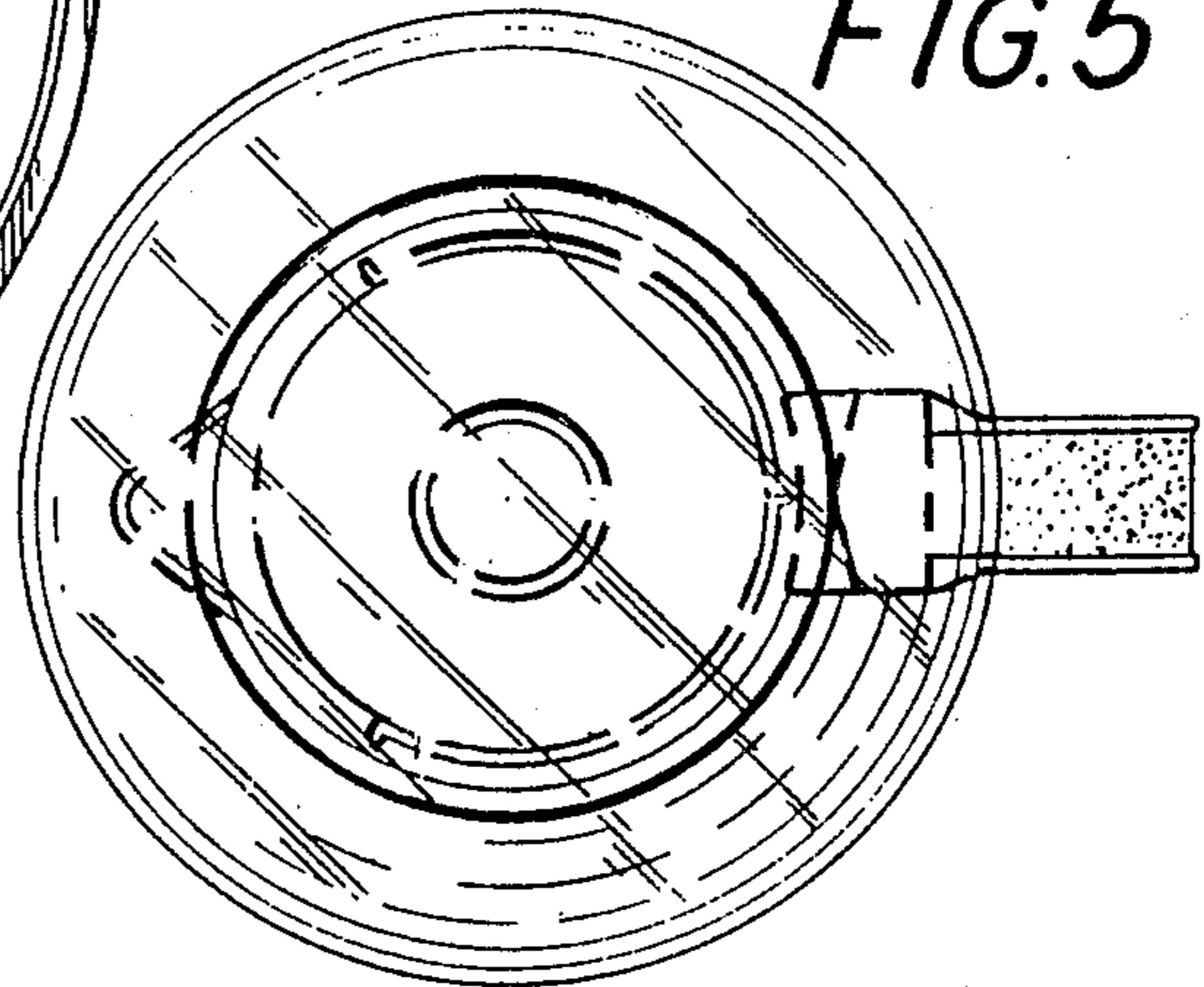


FIG. 2

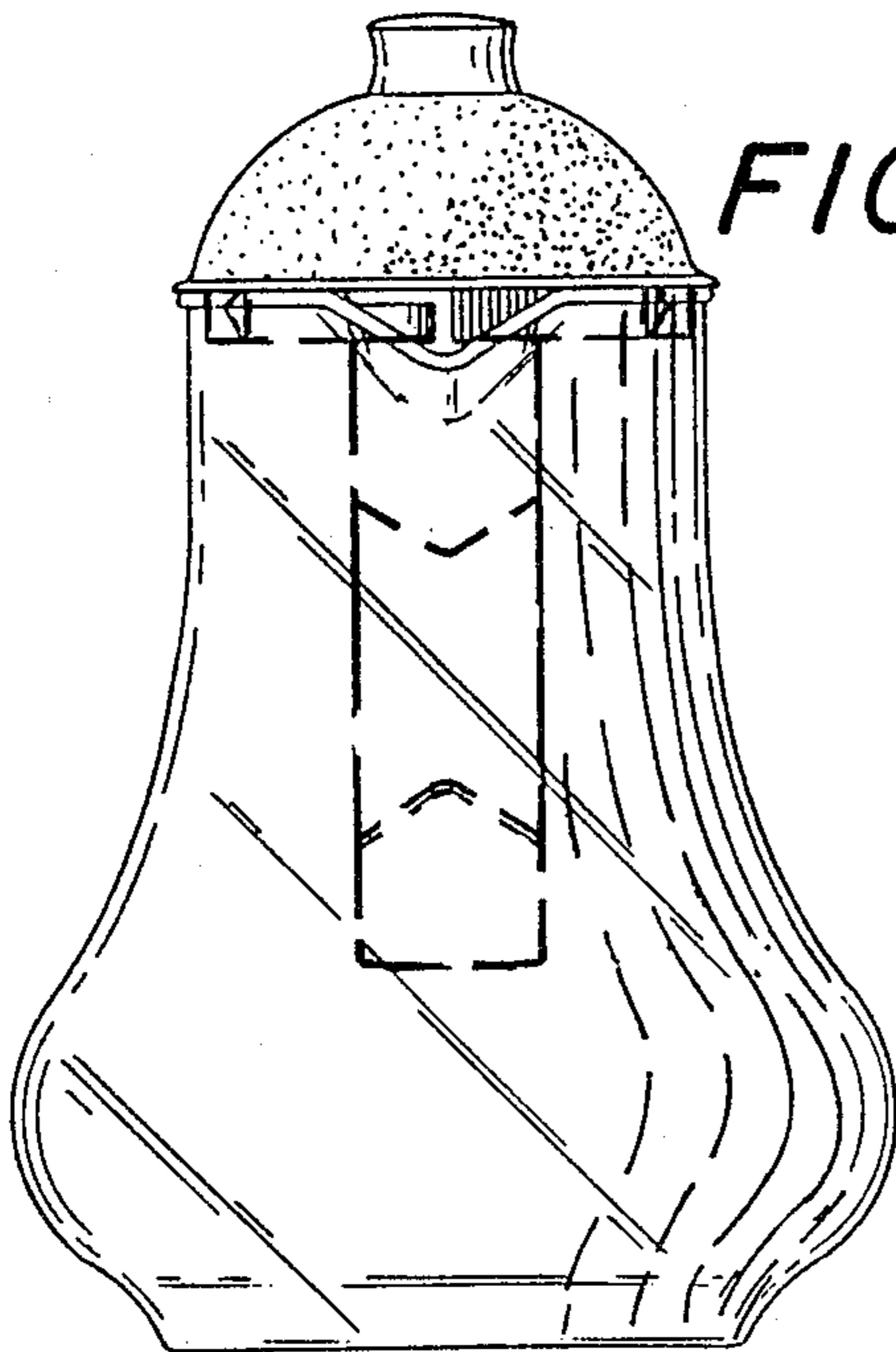


FIG. 3

