

[54] **CASSEROLE DISH OR THE LIKE**

[75] **Inventors:** Robert H. C. M. Daenen, Hekelgem; Pieter K. J. DeCoster, Aalst, both of Belgium; Martin J. Wolff, North Providence, R.I.

[73] **Assignee:** Dart Industries Inc., Northbrook, Ill.

[**] **Term:** 14 Years

[21] **Appl. No.:** 637,677

[22] **Filed:** Aug. 3, 1984

[52] **U.S. Cl.** D7/20; D7/28

[58] **Field of Search** D7/20, 28, 17, 360, D7/354, 76, 18, 19

[56] **References Cited**

U.S. PATENT DOCUMENTS

D. 98,266	1/1936	Manoha	D9/351
D. 107,585	12/1937	Titze	D7/17
D. 111,314	9/1938	Titze	D7/17
D. 113,024	1/1939	Titze	D7/28
D. 113,511	2/1939	Heller	D7/28
D. 131,965	4/1942	Poglein	D7/17
D. 230,338	2/1974	St. Andre	D7/35
D. 232,065	7/1974	Daenen	D7/16
D. 248,076	6/1978	Christian	D7/20
D. 253,331	11/1979	Olschewski	D7/76
D. 271,075	10/1983	Daenen et al.	D7/391
D. 275,636	9/1984	Picozza	D7/40
D. 276,114	10/1984	Conti et al.	D7/1
D. 281,754	12/1985	Trombly	D7/17
3,130,857	4/1964	Burdick et al.	220/43

OTHER PUBLICATIONS

House Beautiful, Jan. 1978, p. 83, top center panel, Micro/Ovenware Casserole from Heller.
Tableware International, Mar. 1983, p. 15, Panel #6, bottom right, Corning Limited "Pyrex Basics" Spectrum Range—Stacked Bowls; p. 37, lower right panel, Bowls/Stepped Walls, Uniteam Adv.

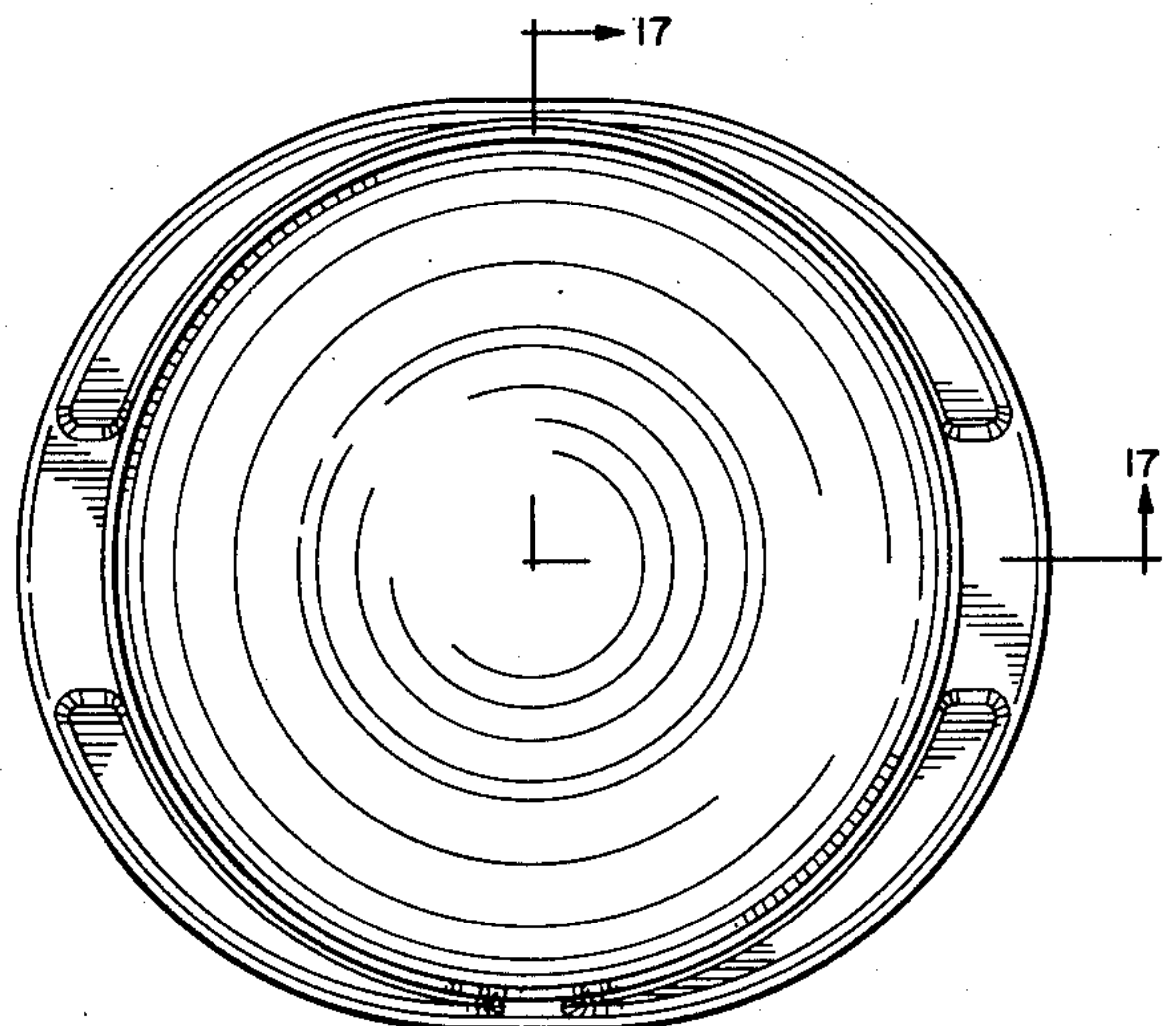
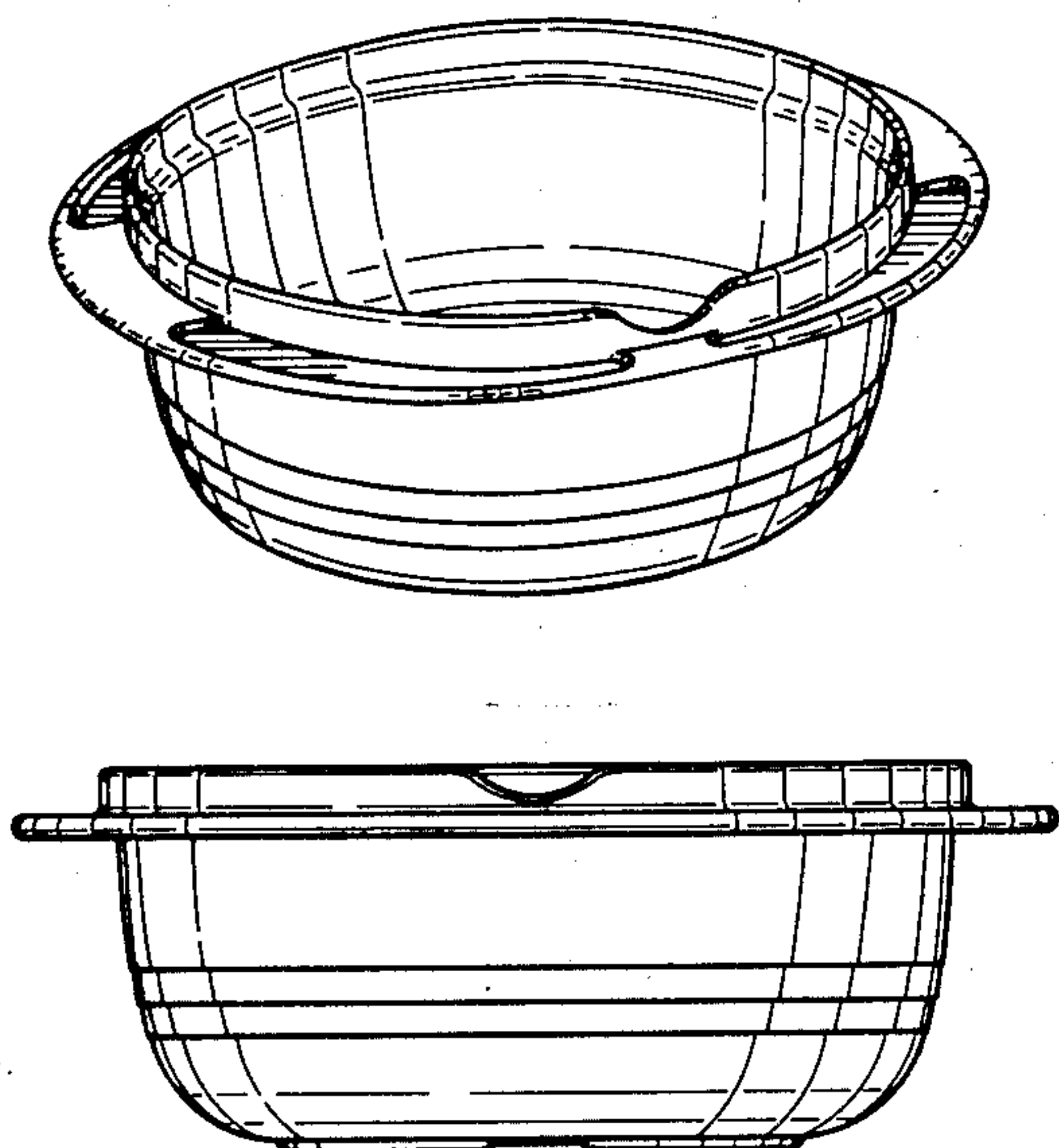
Primary Examiner—Winifred E. Herrmann
Attorney, Agent, or Firm—John A. Doninger

[57] **CLAIM**

The ornamental design for a casserole dish or the like, substantially as shown and described.

DESCRIPTION

FIG. 1 is a top perspective view of a casserole dish or the like showing cur new design;
 FIG. 2 is a side elevational view of the near side of FIG. 1;
 FIG. 3 is an end elevational view of FIG. 1, the opposite end being identical thereto;
 FIG. 4 is a side elevational view of the far side of FIG. 1;
 FIG. 5 is a top plan view of FIG. 1, it being understood that the size and proportions of the top plan views of FIGS. 7 and 12 are identical hereto;
 FIG. 6 is a bottom plan view of FIG. 1;
 FIG. 7 is a top perspective view of a modification of the casserole dish of FIG. 1;
 FIG. 8 is a side elevational view of the near side of FIG. 7;
 FIG. 9 is an end elevational view of FIG. 7, the opposite end being identical thereto;
 FIG. 10 is a side elevational view of the far side of FIG. 7;
 FIG. 11 is a bottom plan view of FIG. 7;
 FIG. 12 is a top perspective view of another modification of the casserole dish of FIG. 1;
 FIG. 13 is a side elevational view of the near side of FIG. 12;
 FIG. 14 is an end elevational view of FIG. 12, the opposite end being identical thereto;
 FIG. 15 is a side elevational view of the far side of FIG. 12;
 FIG. 16 is a bottom plan view of FIG. 12;
 FIG. 17 is a cross-sectional view taken along line 17—17 of FIG. 5.



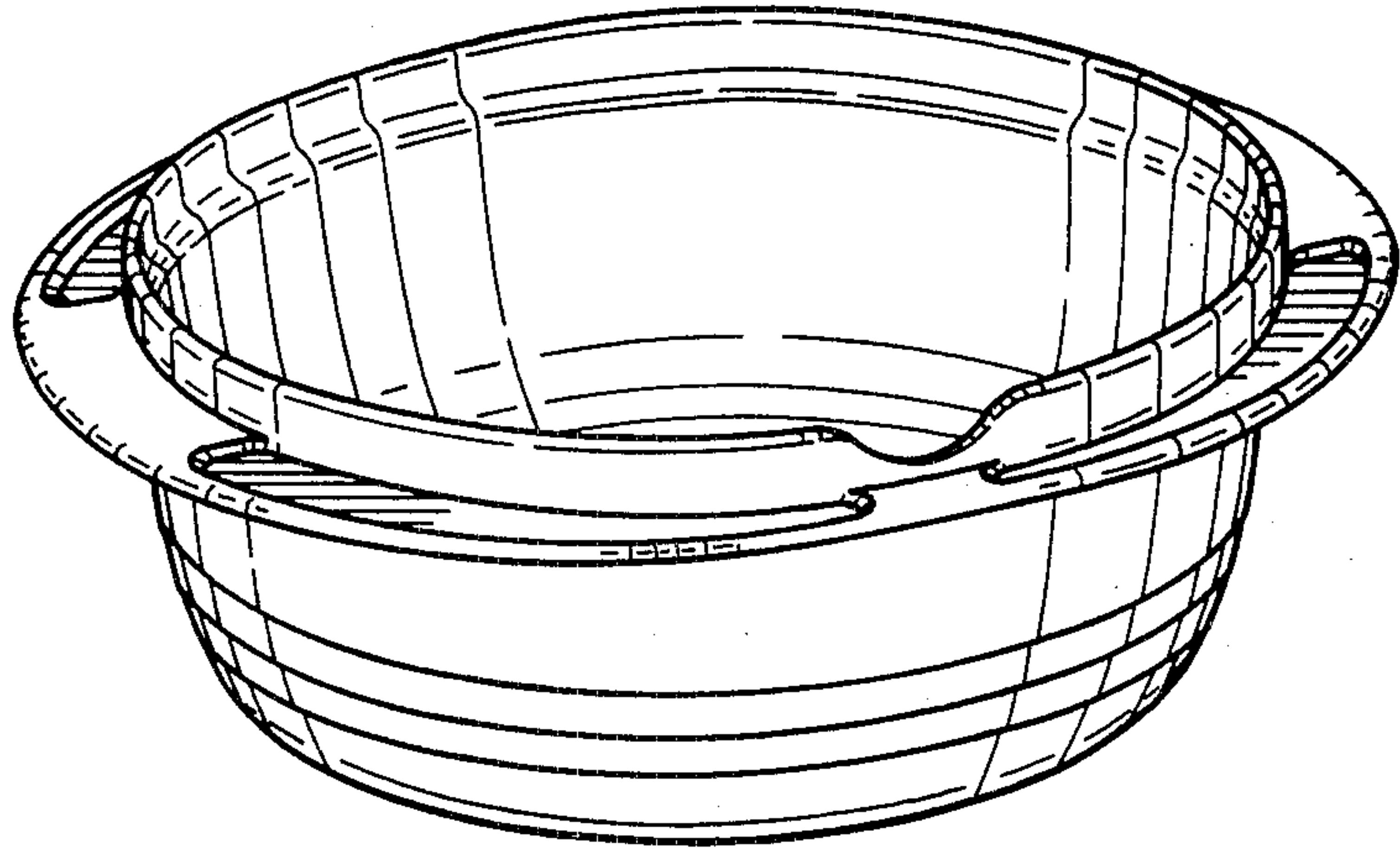


FIG. 1

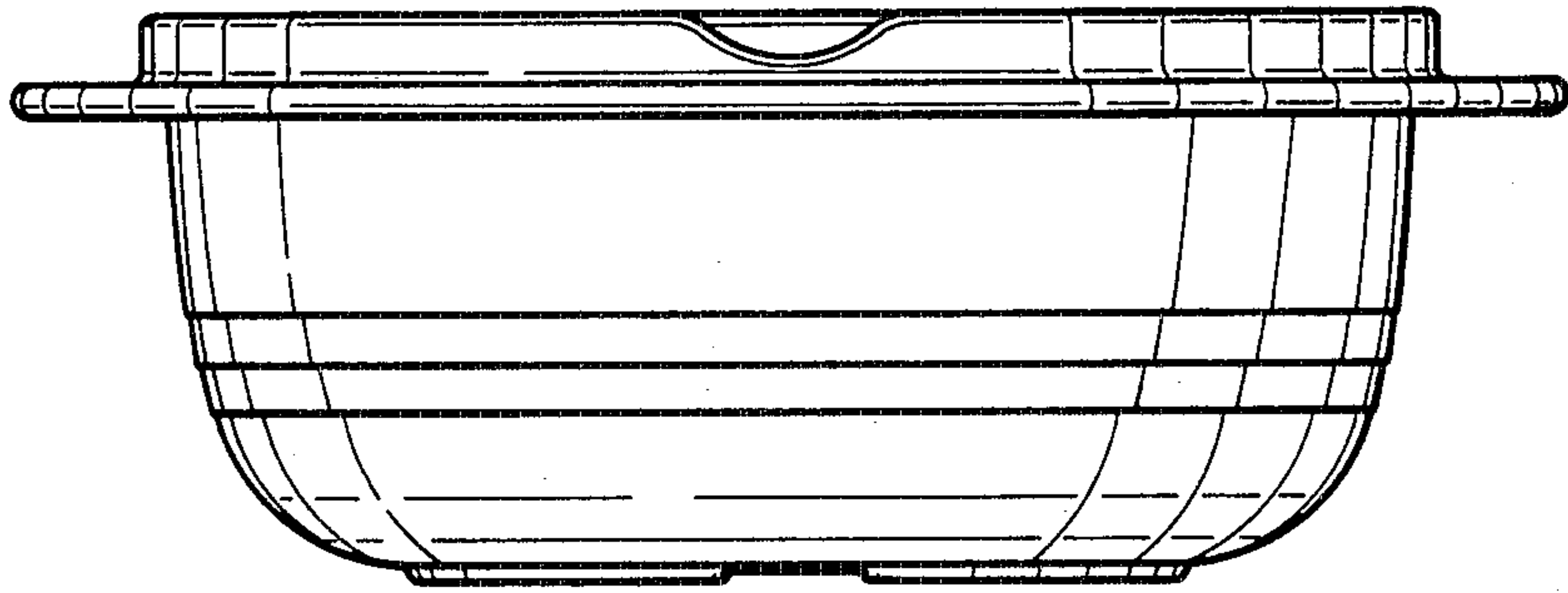


FIG. 2

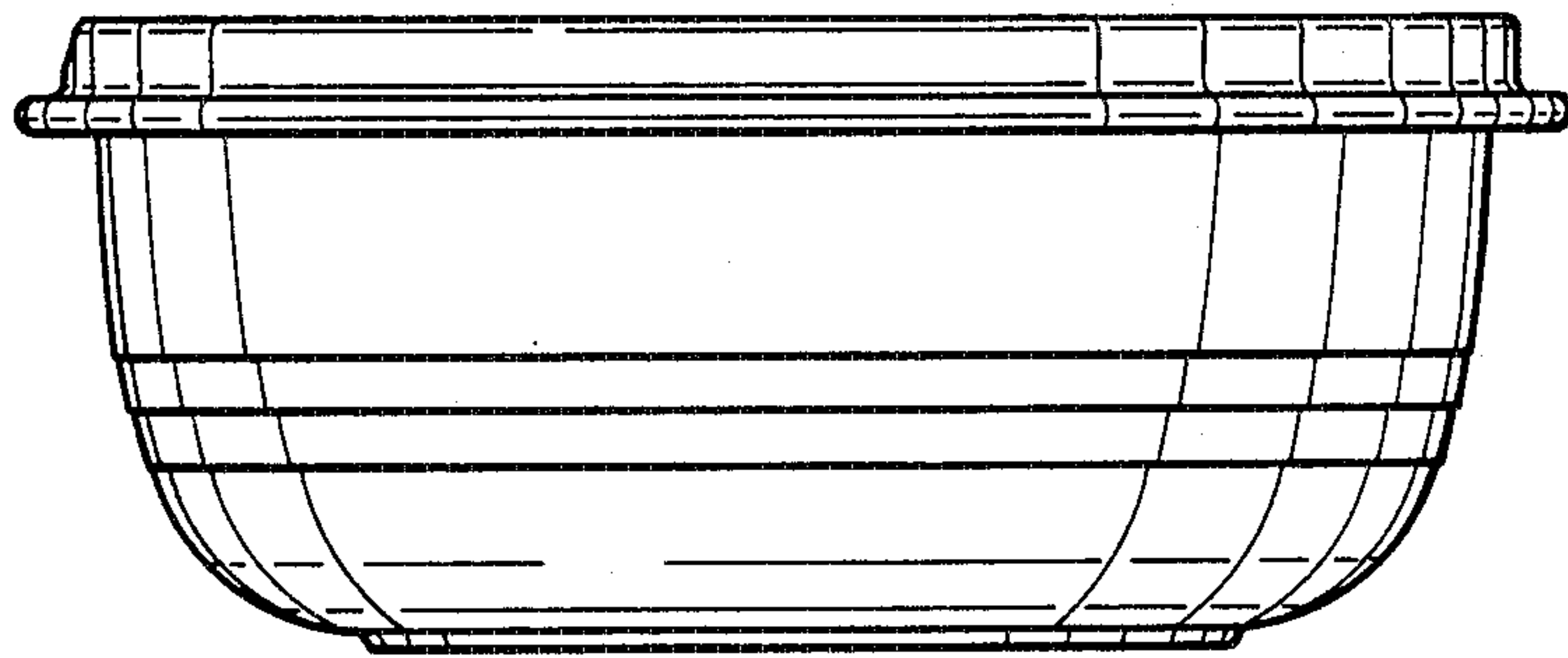


FIG. 3

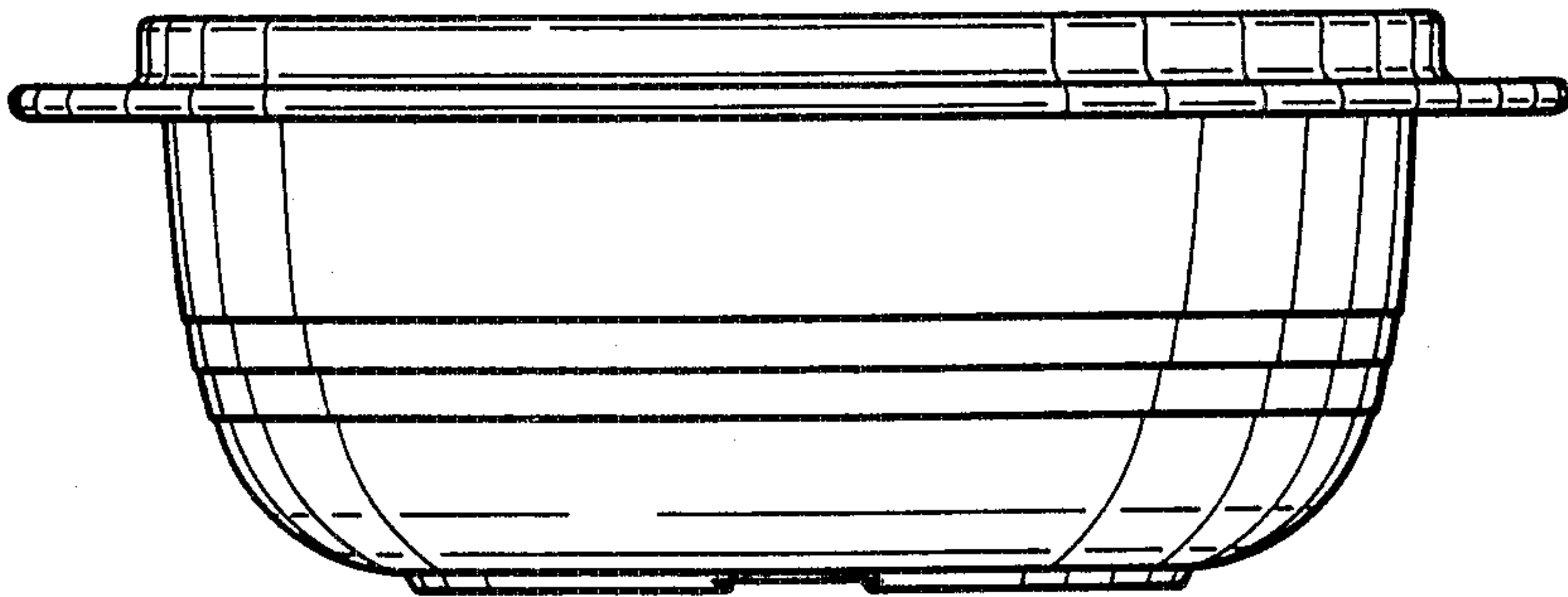


FIG. 4

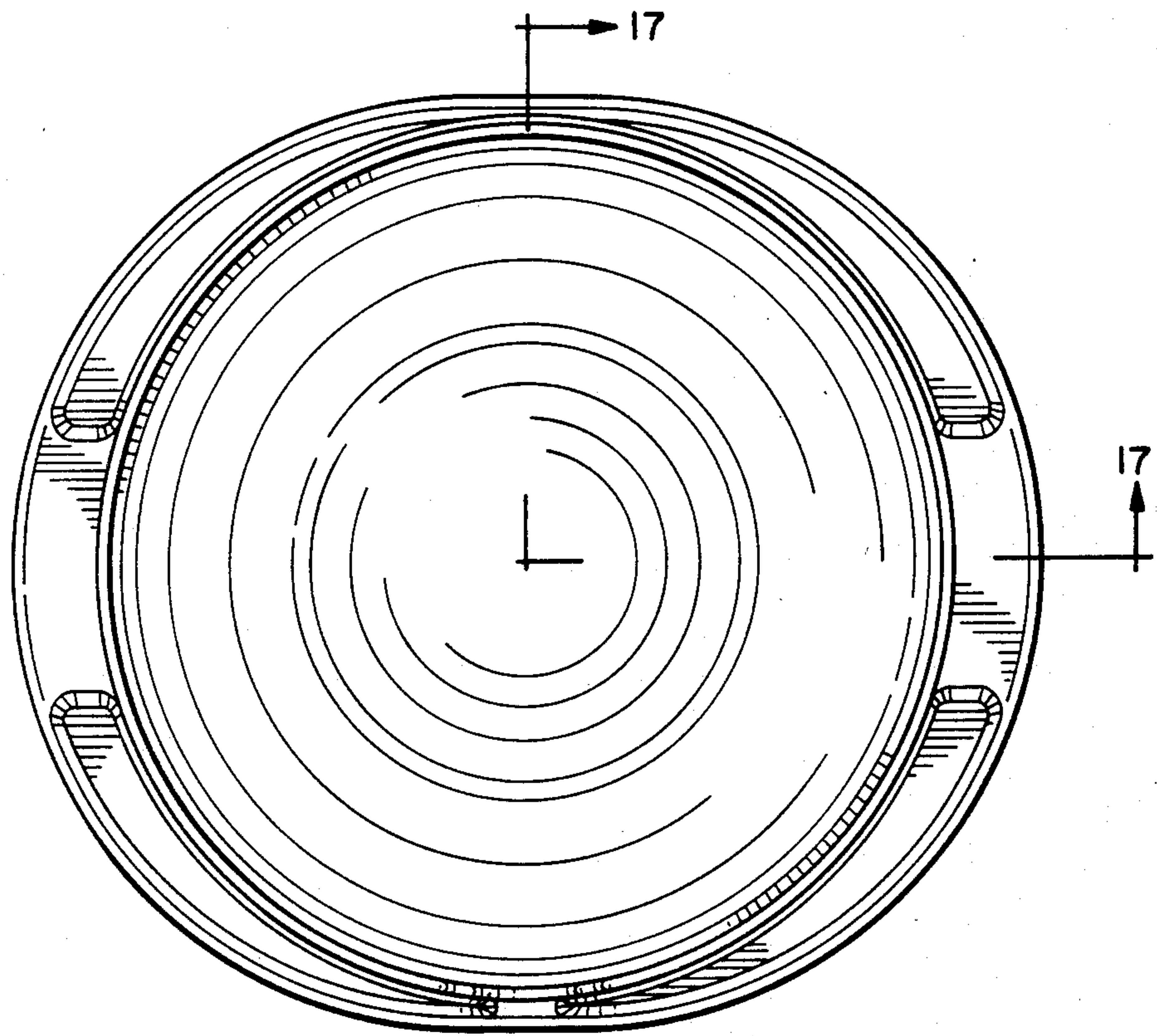


FIG.5

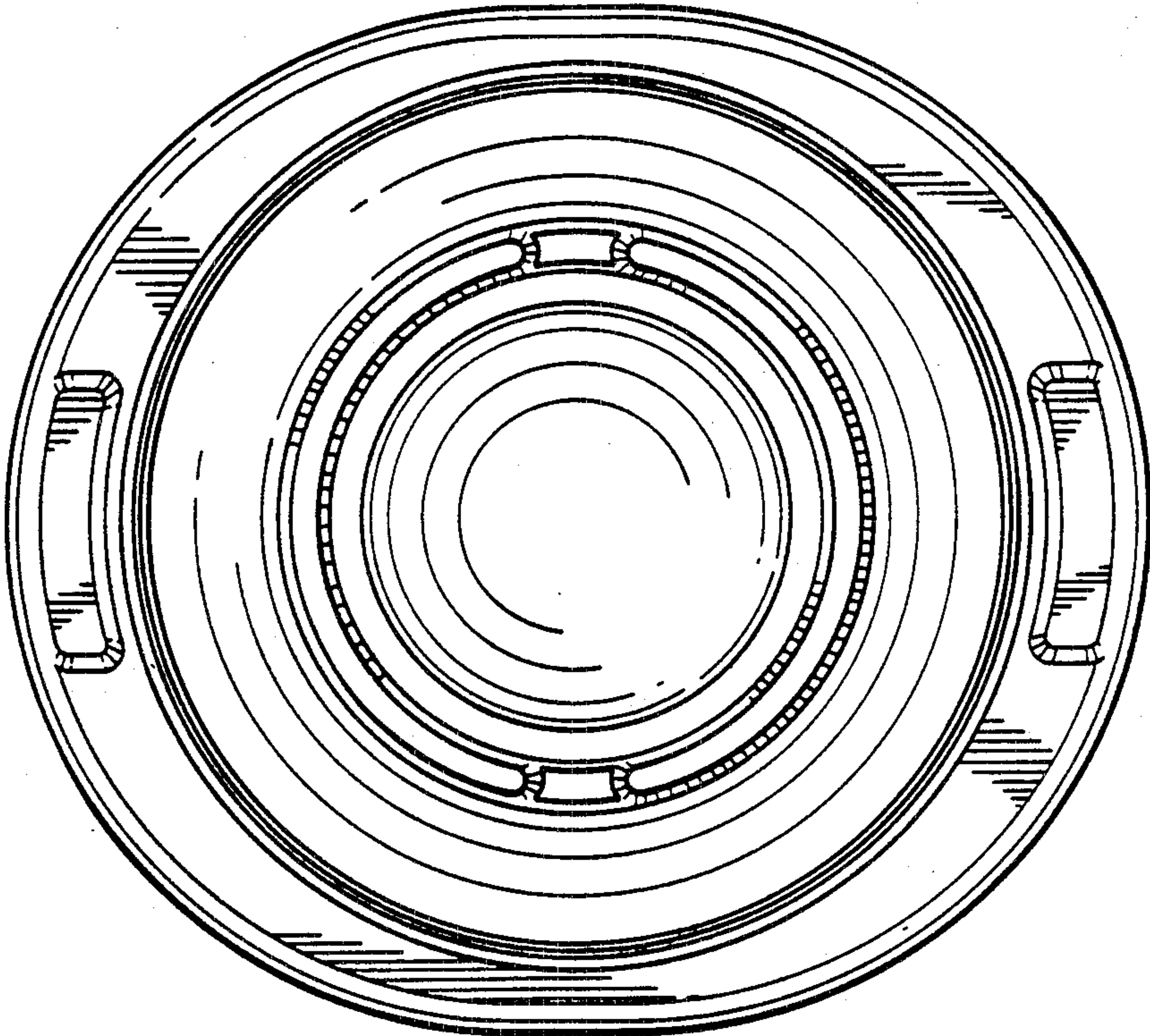


FIG. 6

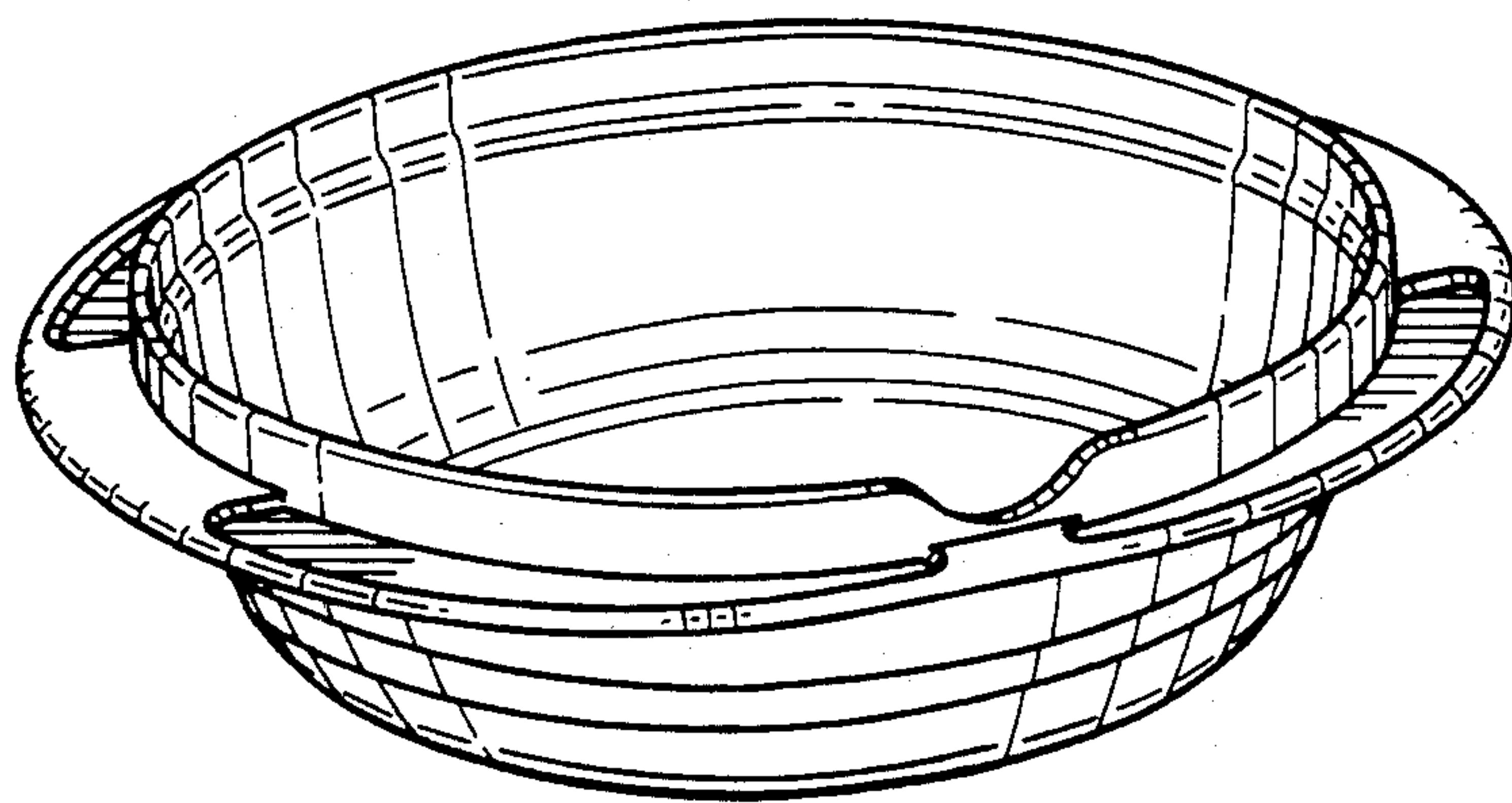


FIG. 7

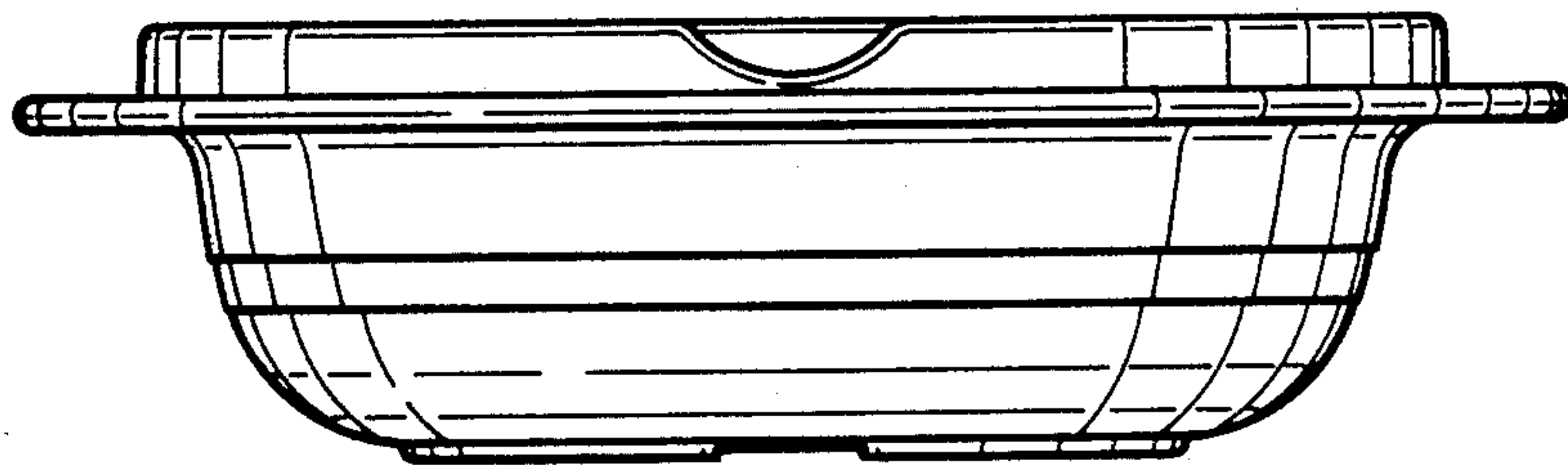


FIG. 8

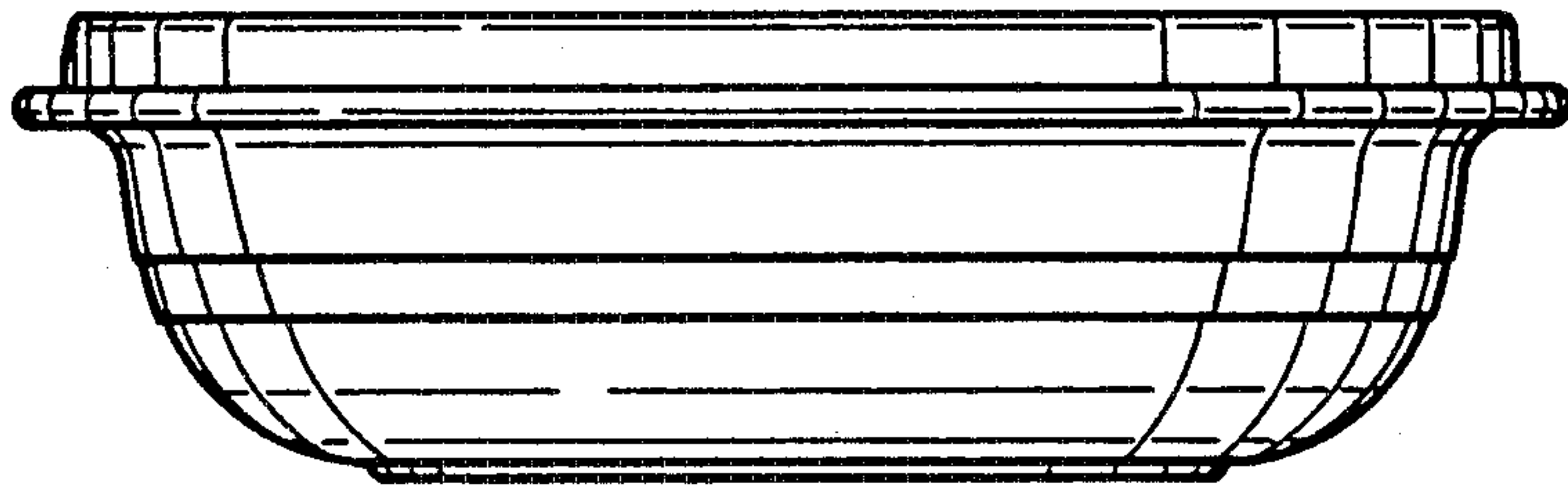


FIG. 9

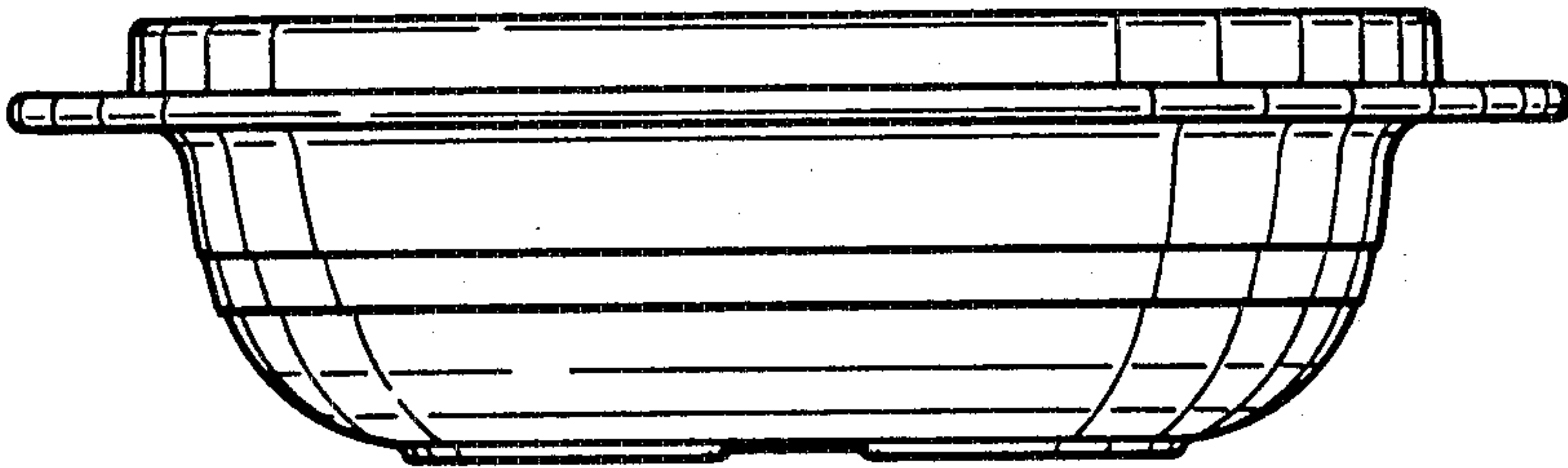


FIG. 10

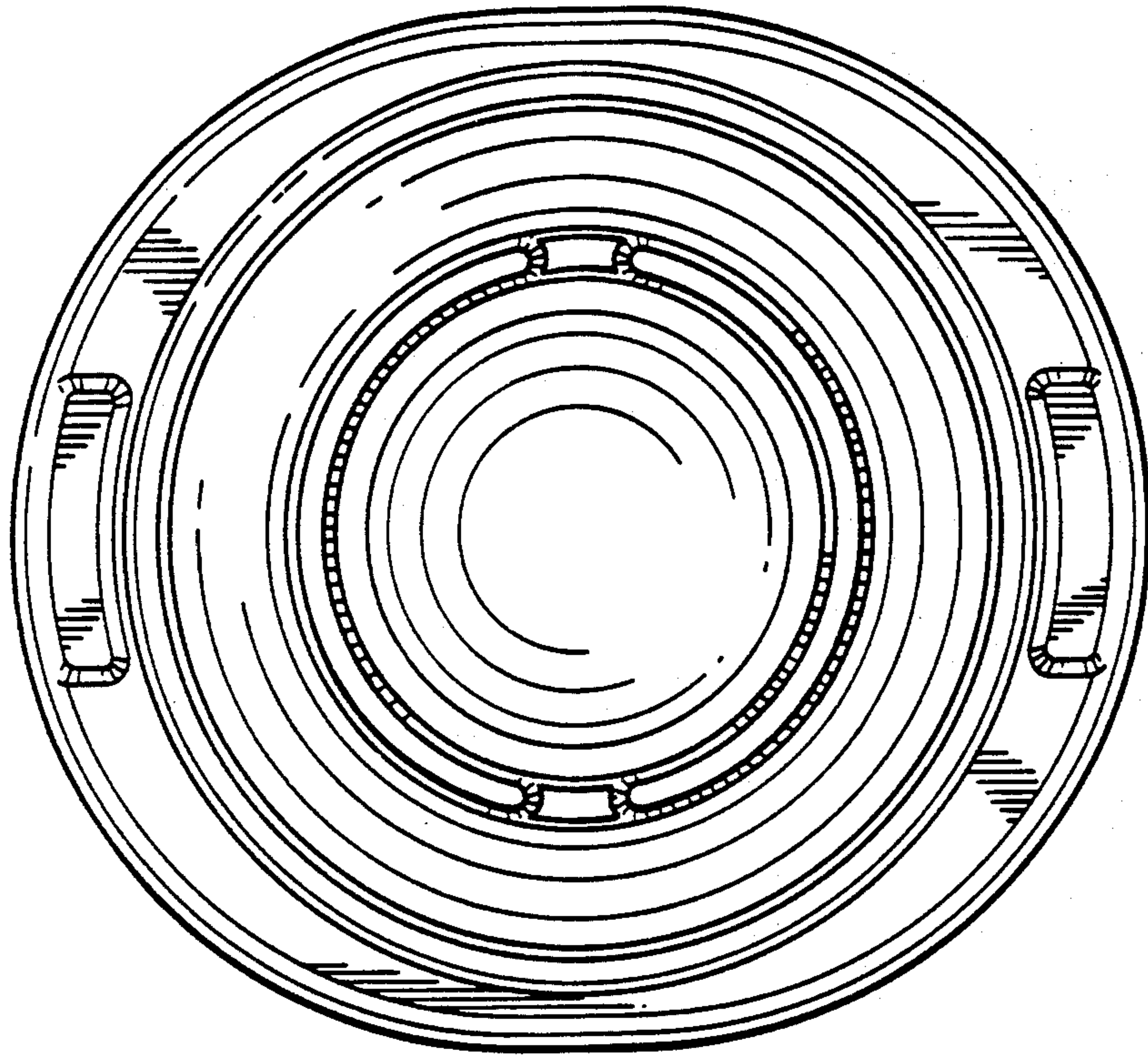


FIG. II

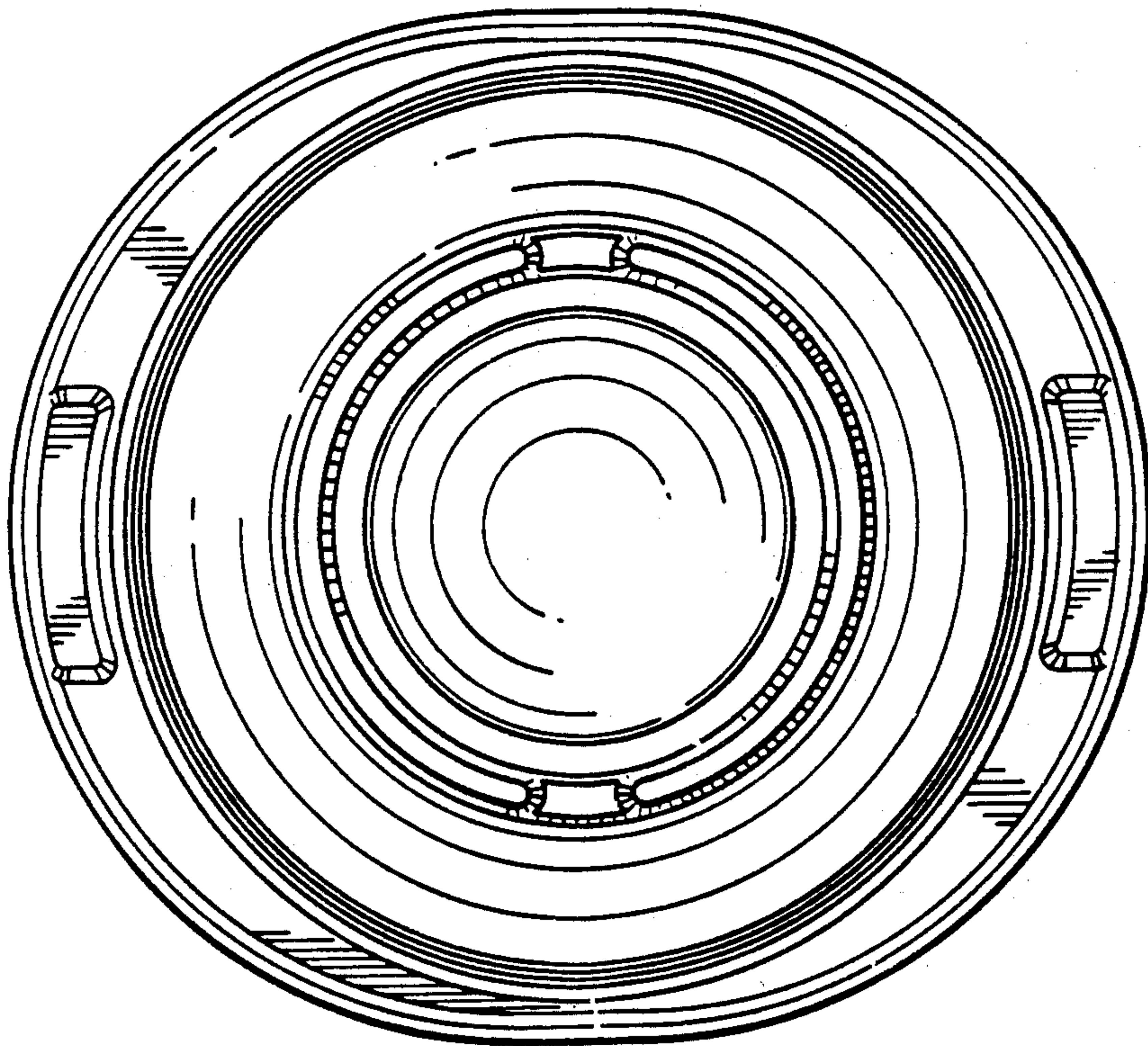


FIG. 16

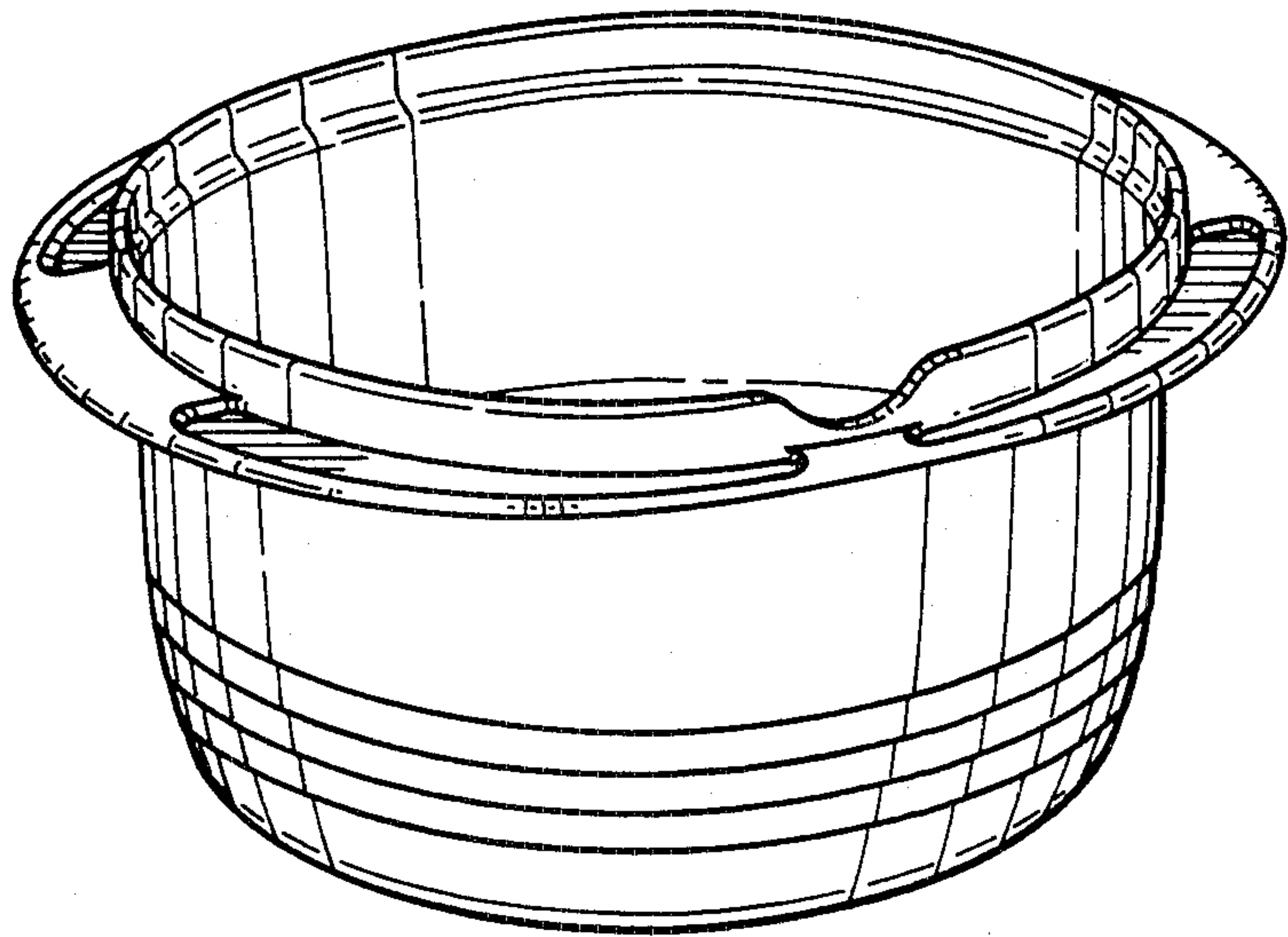


FIG. 12

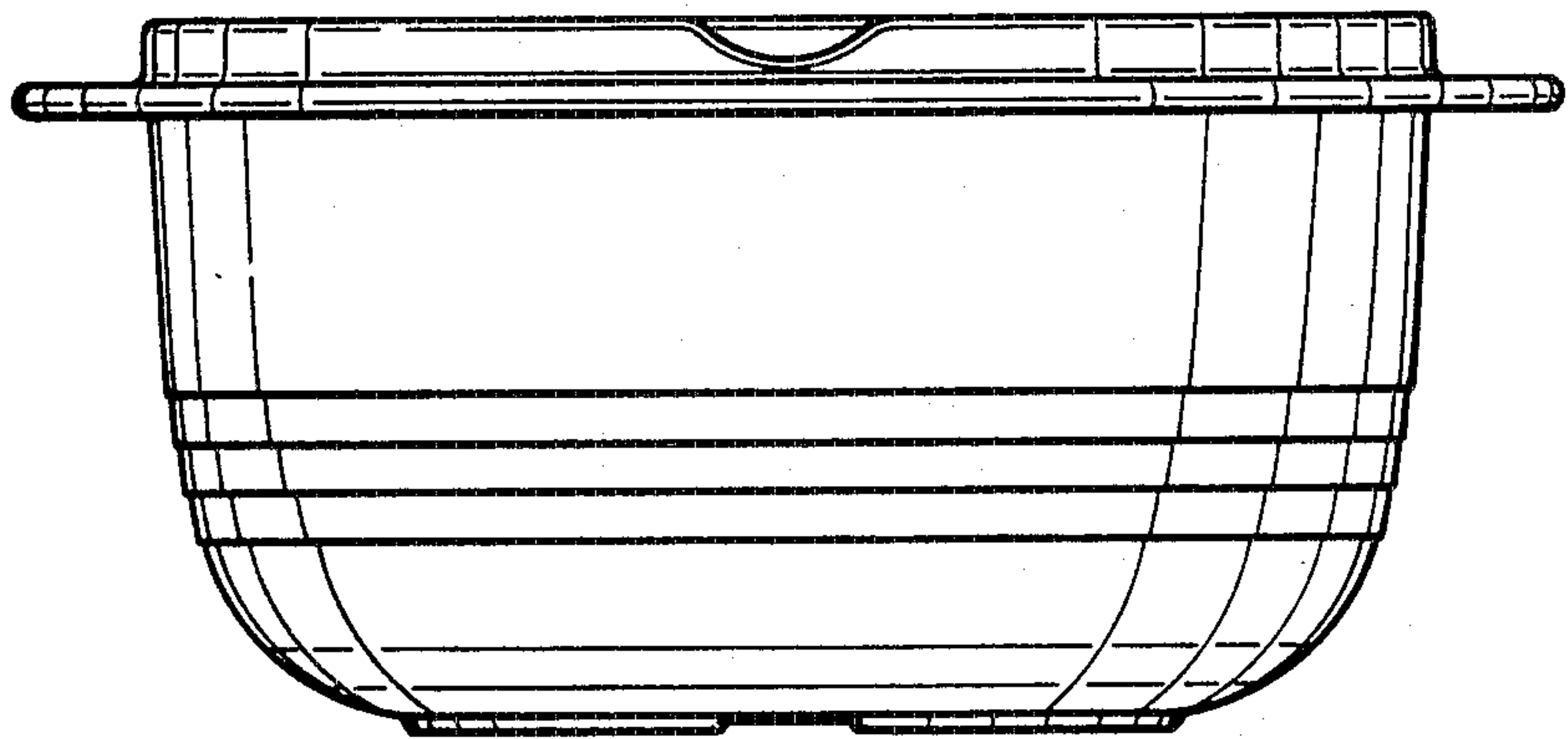


FIG. 13

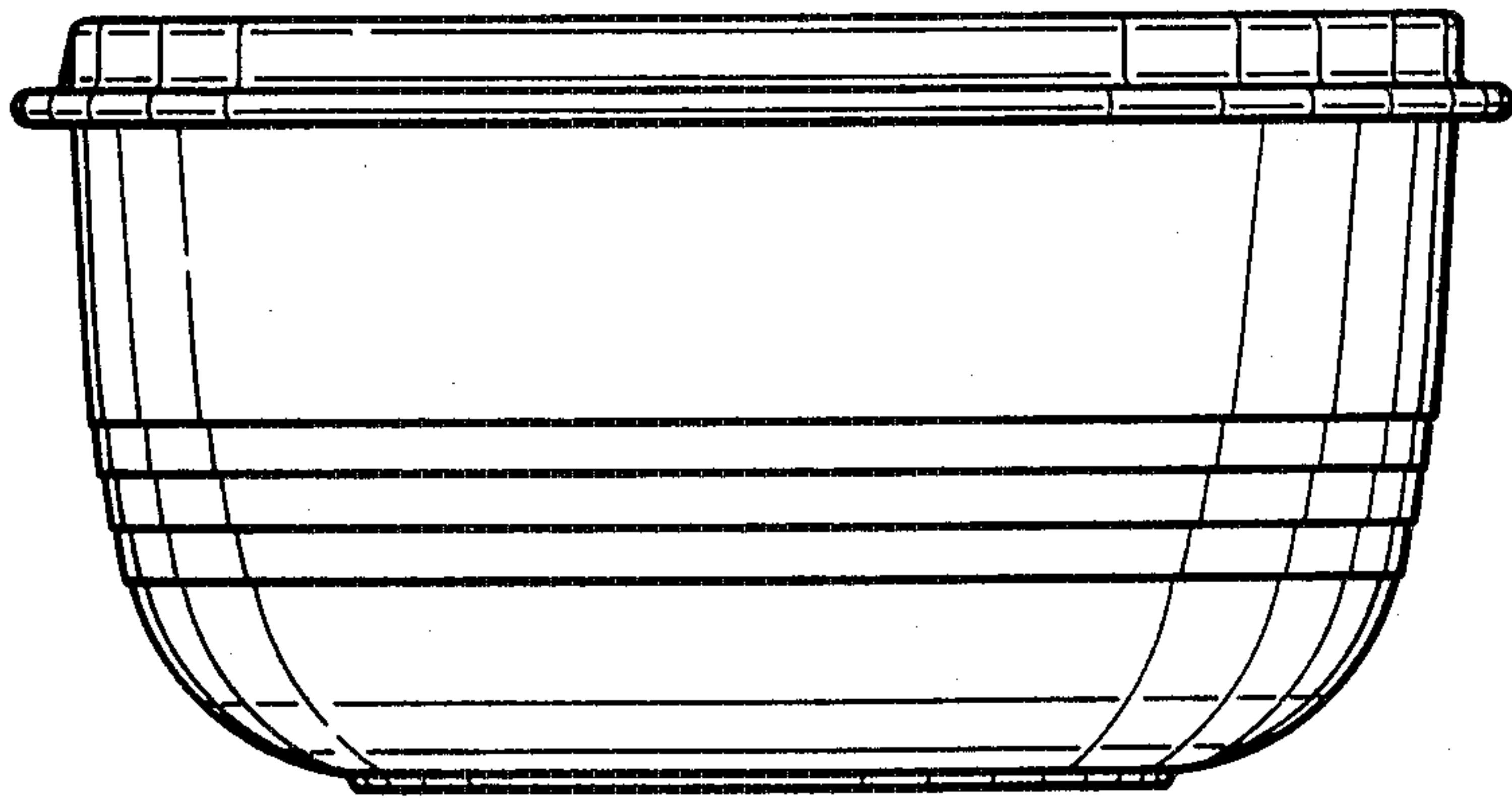


FIG. 14

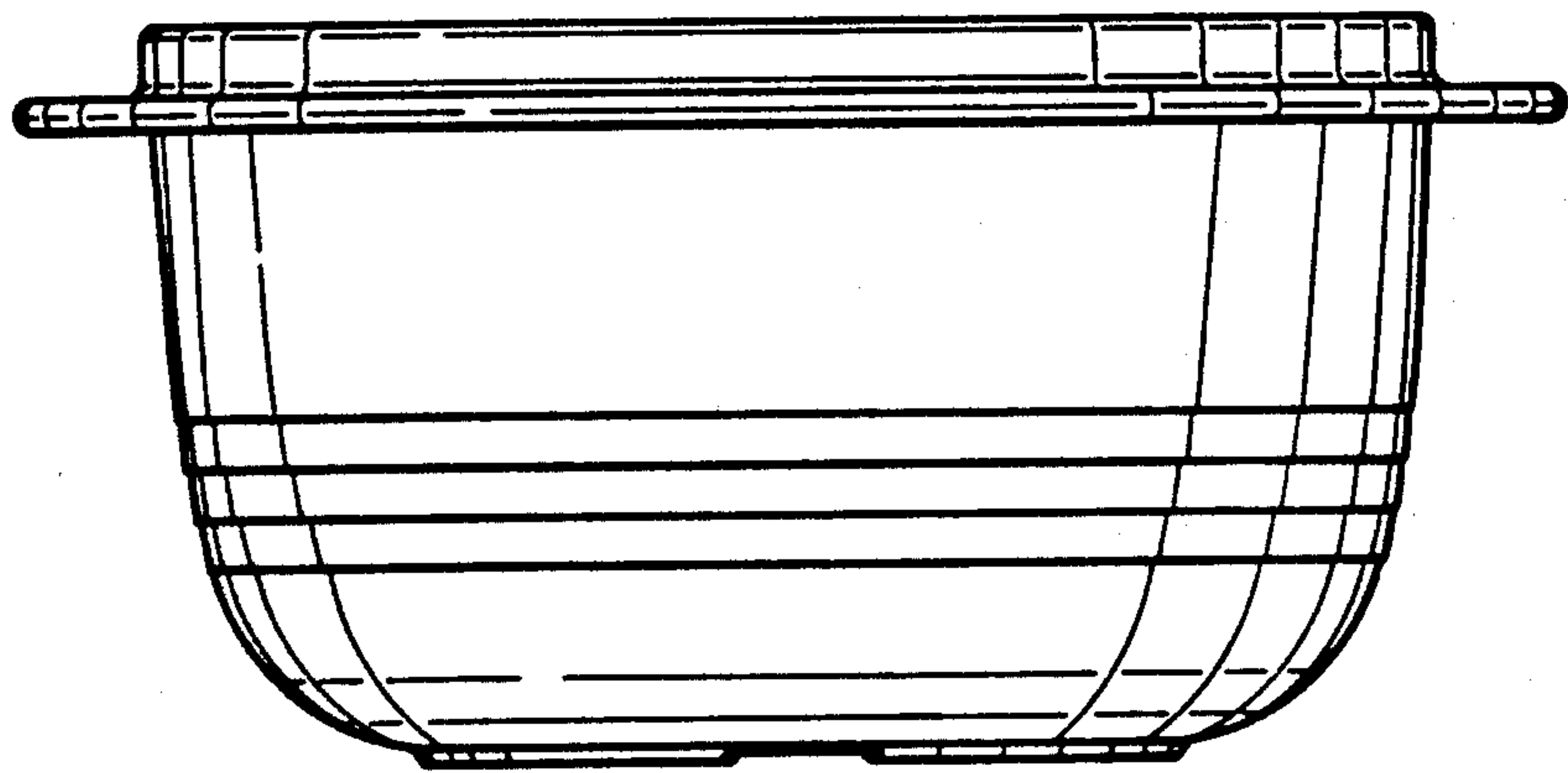


FIG. 15

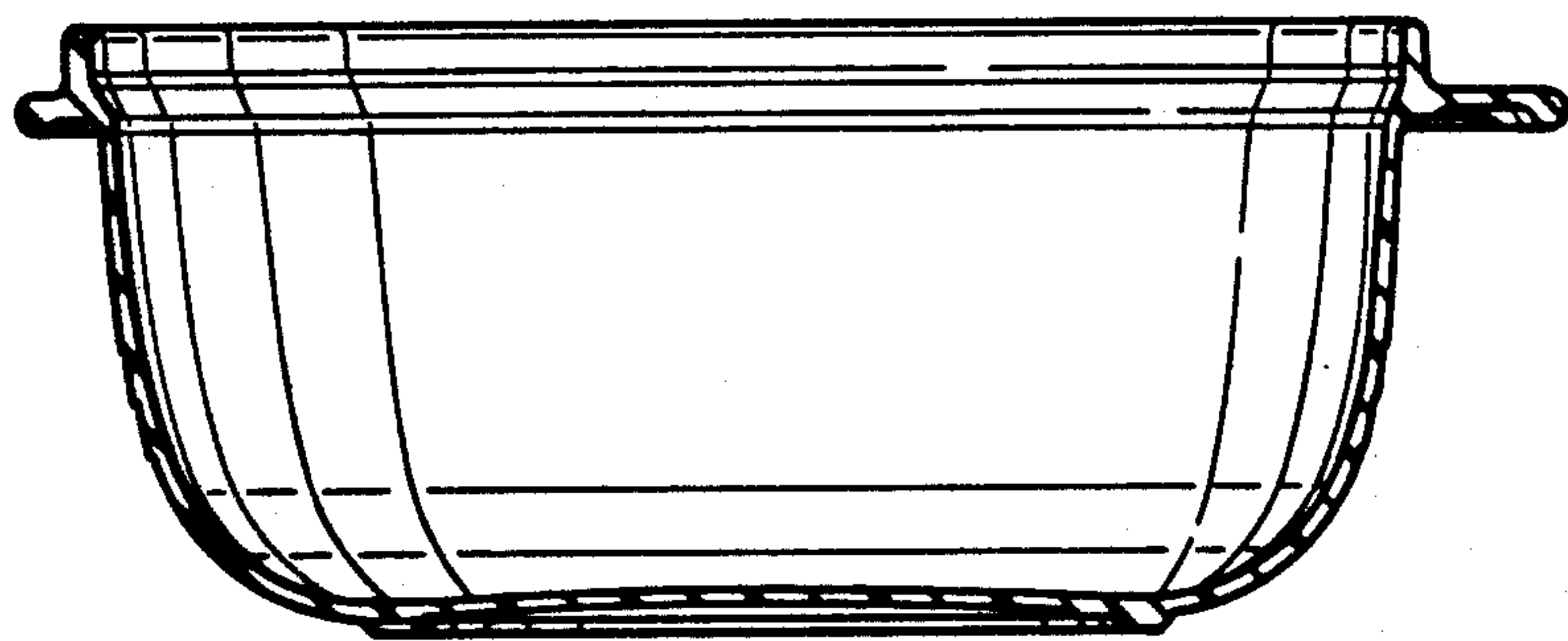


FIG. 17