

[54] FITTING FOR VENETIAN BLINDS

[76] Inventor: Evert Christoffersson,
Stenbrunnsvägen 11, Malmö,
Sweden

[**] Term: 14 Years

[21] Appl. No.: 601,996

[22] Filed: Apr. 19, 1984

[30] Foreign Application Priority Data

Oct. 19, 1983 [SE] Sweden 83-2690

[52] U.S. Cl. D6/580; D6/575

[58] Field of Search D6/580, 581, 577, 575;
160/178 R, 178 B, 178 C, 168, 176 R

[56] References Cited

U.S. PATENT DOCUMENTS

- D. 151,410 10/1948 Rosenbaum D6/580
- D. 251,467 4/1979 Anderson D6/580

1,914,050 6/1933 Smith 160/176 X

FOREIGN PATENT DOCUMENTS

890419 2/1962 United Kingdom 160/168

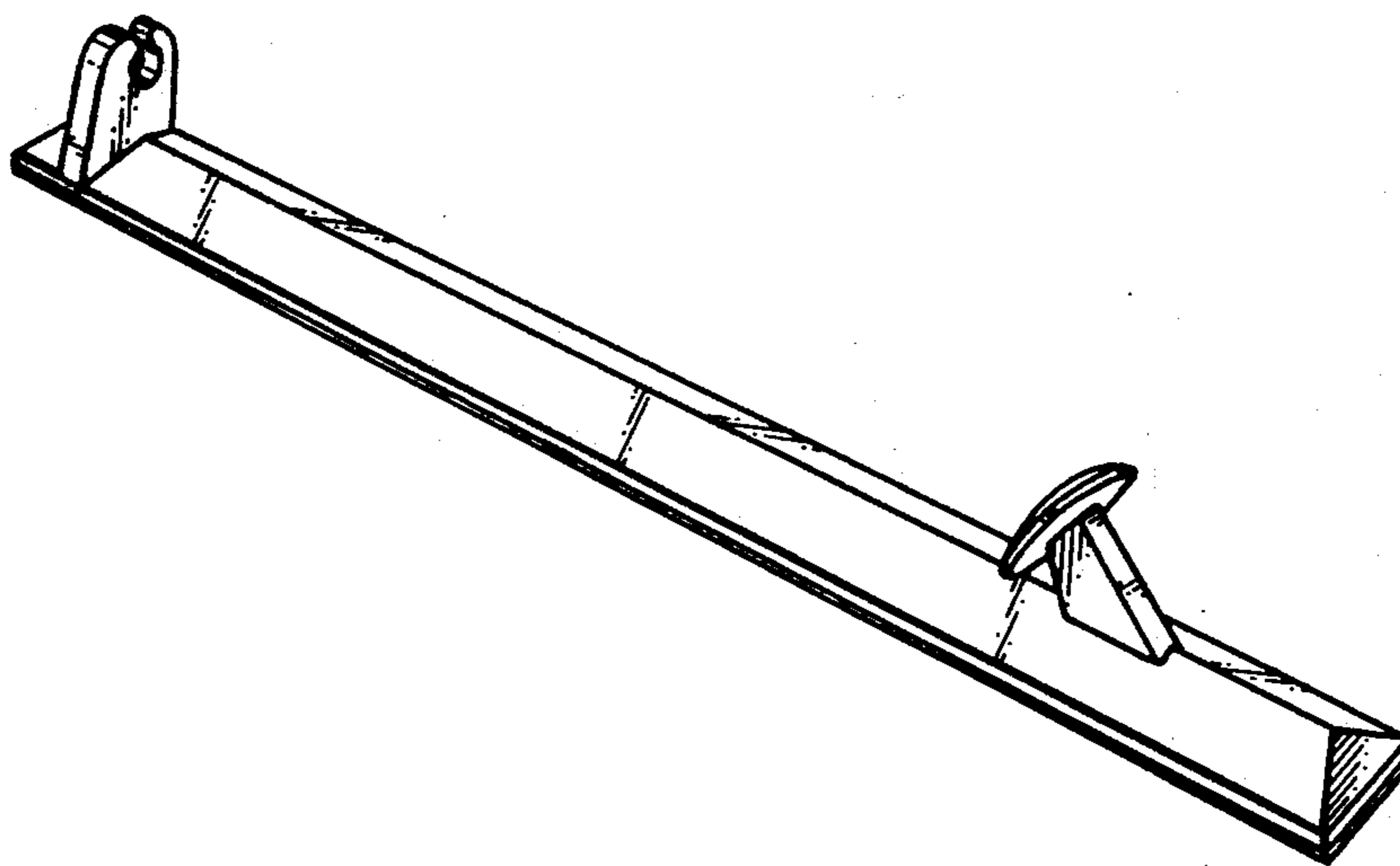
Primary Examiner—Bernard Ansher
Assistant Examiner—Theodore M. Shooman
Attorney, Agent, or Firm—Merchant, Gould, Smith,
Edell, Welter & Schmidt

[57] CLAIM

The ornamental design for a fitting for venetian blinds,
as shown and described.

DESCRIPTION

FIG. 1 is a top, front and left side perspective view of a
fitting for venetian blinds showing my new design;
FIG. 2 is a top plan view thereof;
FIG. 3 is a left side elevational view thereof, the right
side being a mirror image.
The bottom is plain and unornamented.



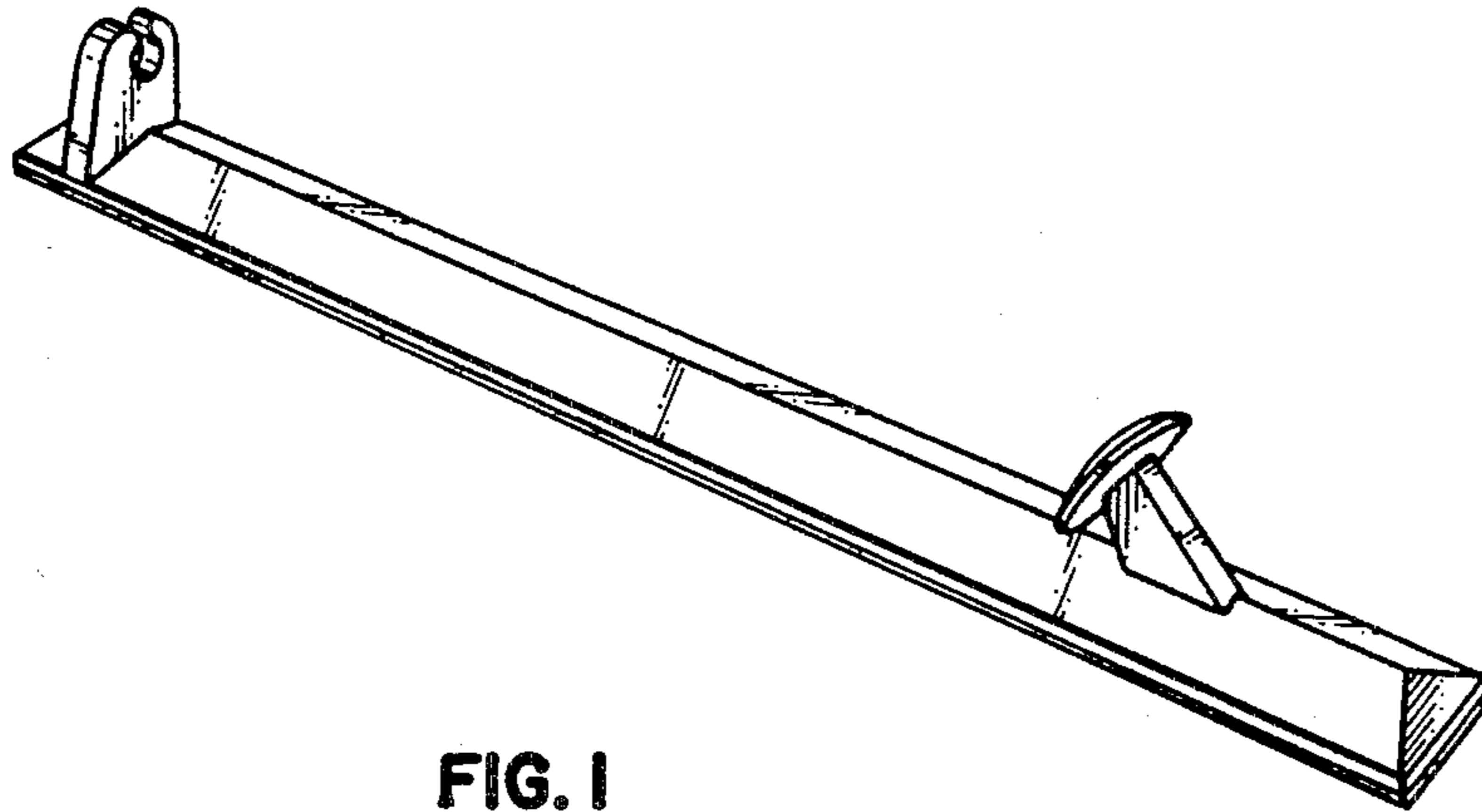


FIG. 1

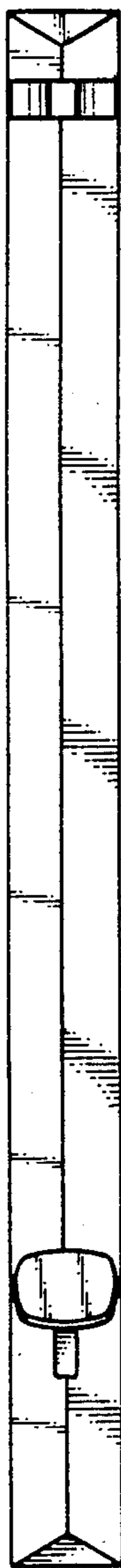


FIG. 2

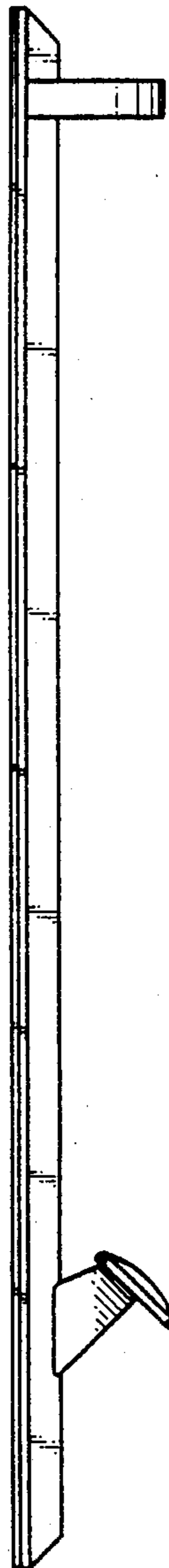


FIG. 3