

- [54] **CLOSET ROD SUPPORT**
- [76] **Inventor: Frank P. Campbell, 13463 W. 78th Pl., Arvada, Colo. 80005**
- [\*\*] **Term: 14 Years**
- [21] **Appl. No.: 660,788**
- [22] **Filed: Oct. 15, 1984**

**Related U.S. Application Data**

- [60] **Division of Ser. No. 398,573, Jul. 15, 1982, Pat. No. D. 277,349, which is a continuation-in-part of Ser. No. 139,660, Apr. 14, 1980, abandoned.**
- [52] **U.S. Cl. .... D6/513; D6/411; D8/373**
- [58] **Field of Search ..... D6/411, 513; D8/373; 211/13, 113, 115, 117, 118, 119, 123, 105.1; 248/317, 214, 215**

**References Cited**

**U.S. PATENT DOCUMENTS**

D. 252,842	9/1979	McKee	.....	D6/513
1,368,843	2/1921	Rosenthal	.....	211/113
2,193,215	3/1940	Witter	.....	211/117
2,709,005	5/1955	Eckstein	.....	211/113
2,714,965	8/1955	Fitzkee et al.	.....	211/113
2,972,419	2/1961	Zelen et al.	.....	211/113
3,162,473	12/1964	George	.....	211/113
3,187,904	6/1965	Kiechle	.....	211/118
3,610,426	10/1971	Thomas	.....	211/117

**FOREIGN PATENT DOCUMENTS**

7904229	5/1978	Netherlands	.....	211/118
---------	--------	-------------	-------	---------

*Primary Examiner*—B. J. Bullock  
*Attorney, Agent, or Firm*—Bruce G. Klaas

[57] **CLAIM**

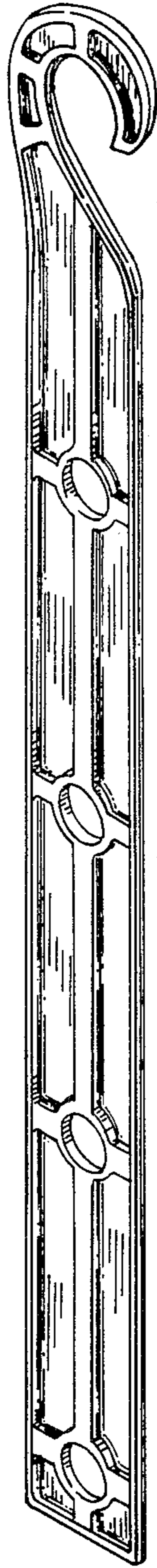
The ornamental design of an closet rod support, substantially as shown and described.

**DESCRIPTION**

FIG. 1 is a front perspective view of a closet rod support of my design showing one front side surface; FIG. 2 is an enlarged partial rear side elevational view of the upper portion of the design of the closet rod support shown in FIG. 1, with intermediate parts and lower parts broken away for convenience, and is a mirror image of the front side surface with the exception of an enlarged flat surface boss area immediately below the hook portion; FIG. 3 is an enlarged partial rear side elevational view of a second embodiment of the design of a closet rod support of FIGS. 1 and 2, shown broken away for convenience, the only difference being the use of a circular closed opening for the upper suspension means; FIG. 4 is a front side elevational view of the second embodiment of the design of the closet rod support of FIG. 3 having a circular closed opening for the upper suspension means; FIG. 5 is an enlarged partial front side elevational view of the lower portion of the closet rod support of FIGS. 1-4, with parts broken away for convenience; FIG. 6 is a sectional view taken in the direction of the arrows on line 6-6 of FIG. 5; and FIG. 7 is a sectional view taken in the direction of the arrows on line 7-7 of FIG. 5.



FIG. 1.



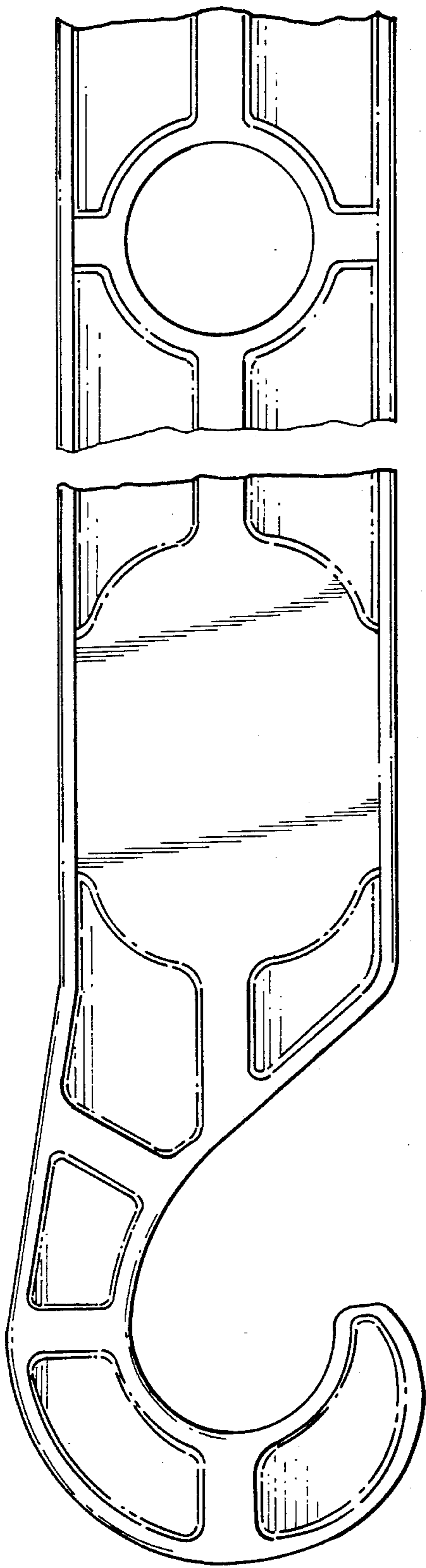


FIG. 2

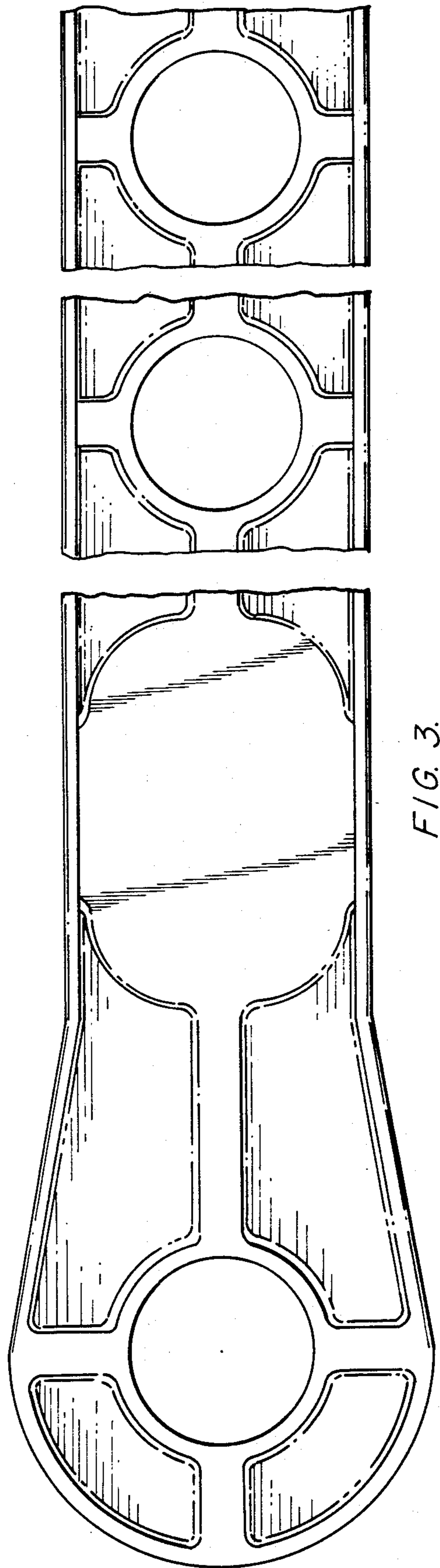


FIG. 3

FIG. 4.

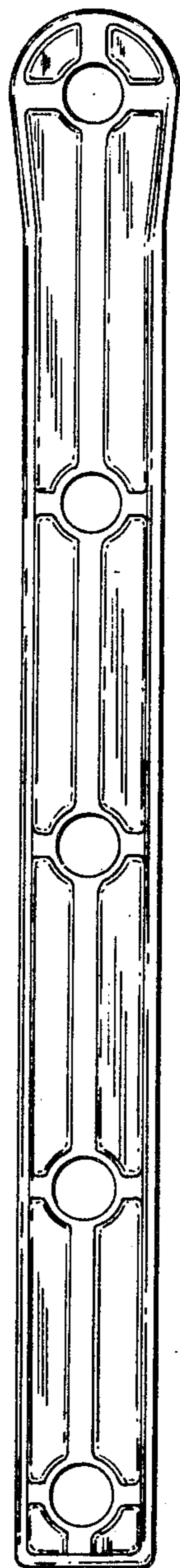


FIG. 5.

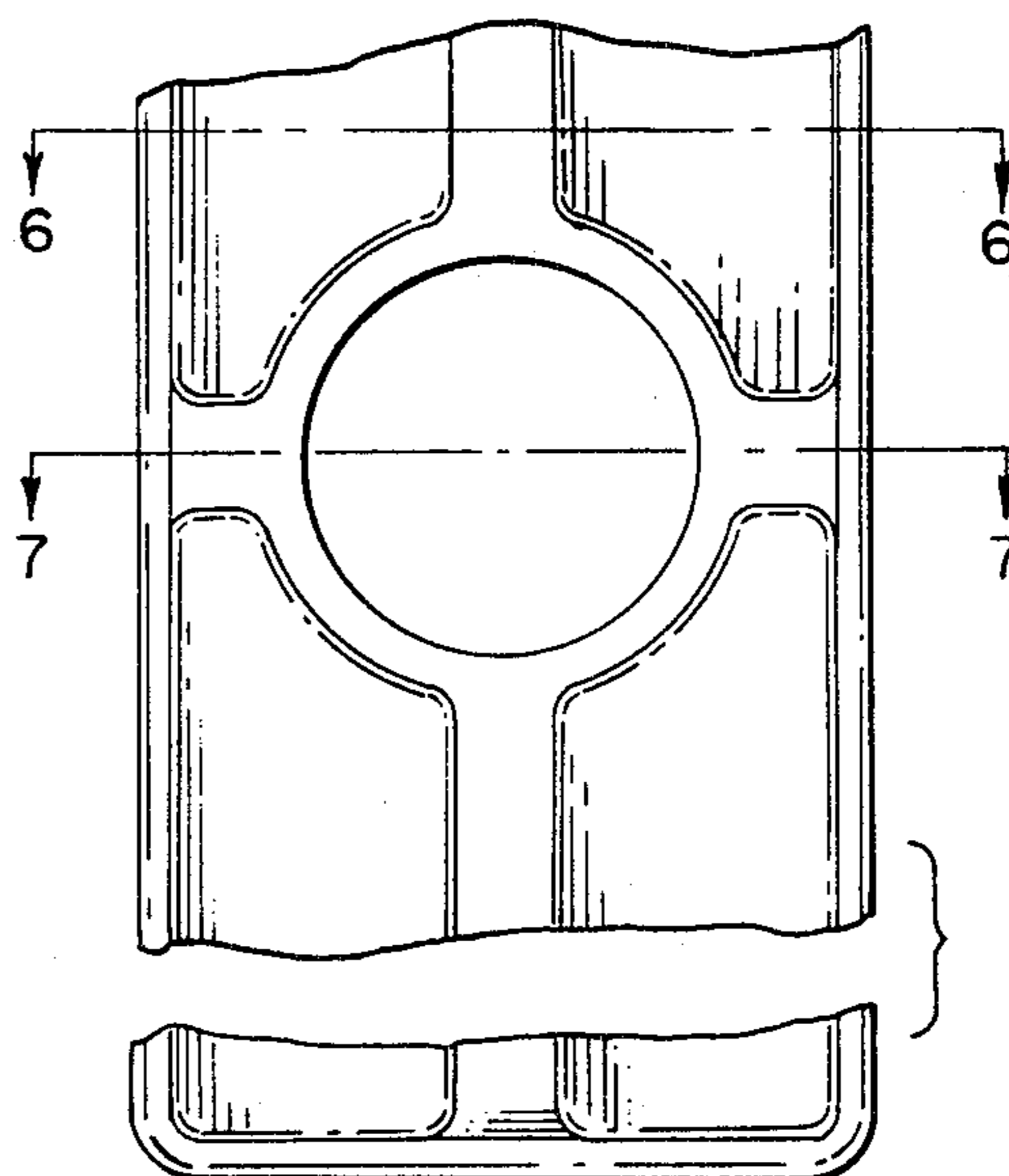


FIG. 6.

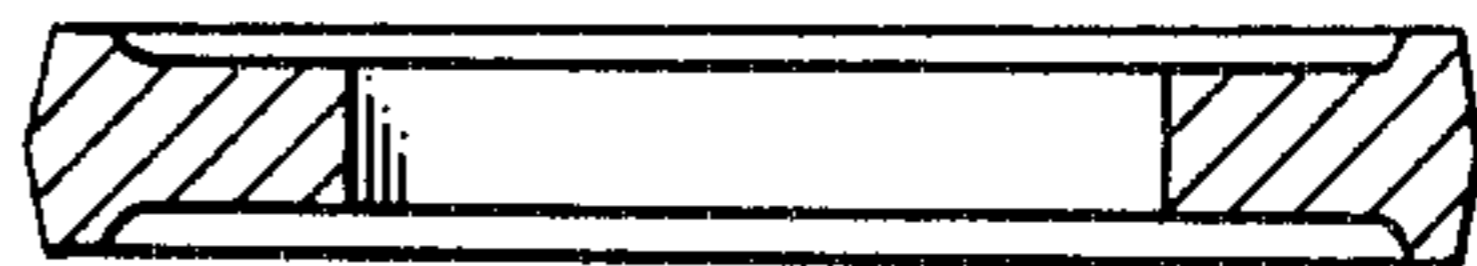


FIG. 7.