

[54] TABLE

[75] Inventor: Hector A. DeLuca, Woodland Hills, Calif.

[73] Assignee: Schnadig Corporation, Chicago, Ill.

[\*\*] Term: 14 Years

[21] Appl. No.: 858,502

[22] Filed: May 1, 1986

[52] U.S. Cl. .... D6/480; D6/485; D6/488

[58] Field of Search ..... D6/449, 455, 480, 481, D6/484, 485, 486, 488

[56] References Cited

U.S. PATENT DOCUMENTS

- D. 113,215 2/1939 Birkmeyer ..... D6/480
- D. 168,688 1/1953 Johnson et al. .... D6/485
- D. 200,413 2/1965 Pearsall ..... D6/480 X
- D. 225,935 1/1973 Kienel .
- D. 236,926 9/1975 Alexander ..... D6/485
- D. 241,395 9/1976 Perl et al. .... D6/480 X
- D. 253,925 1/1980 Keller .
- D. 262,845 2/1982 Keller .
- D. 264,162 5/1982 Azzalin ..... D6/480

OTHER PUBLICATIONS

Carson's Furn. Catalog, Table Section, Table No. 55125.

Interiors, Mar. 1981, p. 11, Table by Roffman. Cascade Cocktail Table of Bassett, published more than one year prior to May 1986. Robsjohn-Gibbings Cocktail Table, New York Times Magazine, Jan. 22, 1950.

Primary Examiner—Bruce W. Dunkins  
Attorney, Agent, or Firm—Tilton, Fallon, Lungmus & Chestnut

[57] CLAIM

The ornamental design for a table, substantially as shown and described.

DESCRIPTION

FIG. 1 is a perspective view of a table showing my design;  
FIG. 2 is an enlarged perspective view of the left-hand end of the table as shown in FIG. 1;  
FIG. 3 is a side elevational view of the table, both sides being the same;  
FIG. 4 is an enlarged perspective view of the central portion of the side of the table;  
FIG. 5 is an end elevational view of the table, both ends being the same;  
FIG. 6 is a reduced plan view of the table; and  
FIG. 7 is a reduced bottom view of the table.  
The design is characterized by the shape of the base, the relation of the base to the top, and the banding applied around the top, and to the ends of the base, and the base bottom molding.

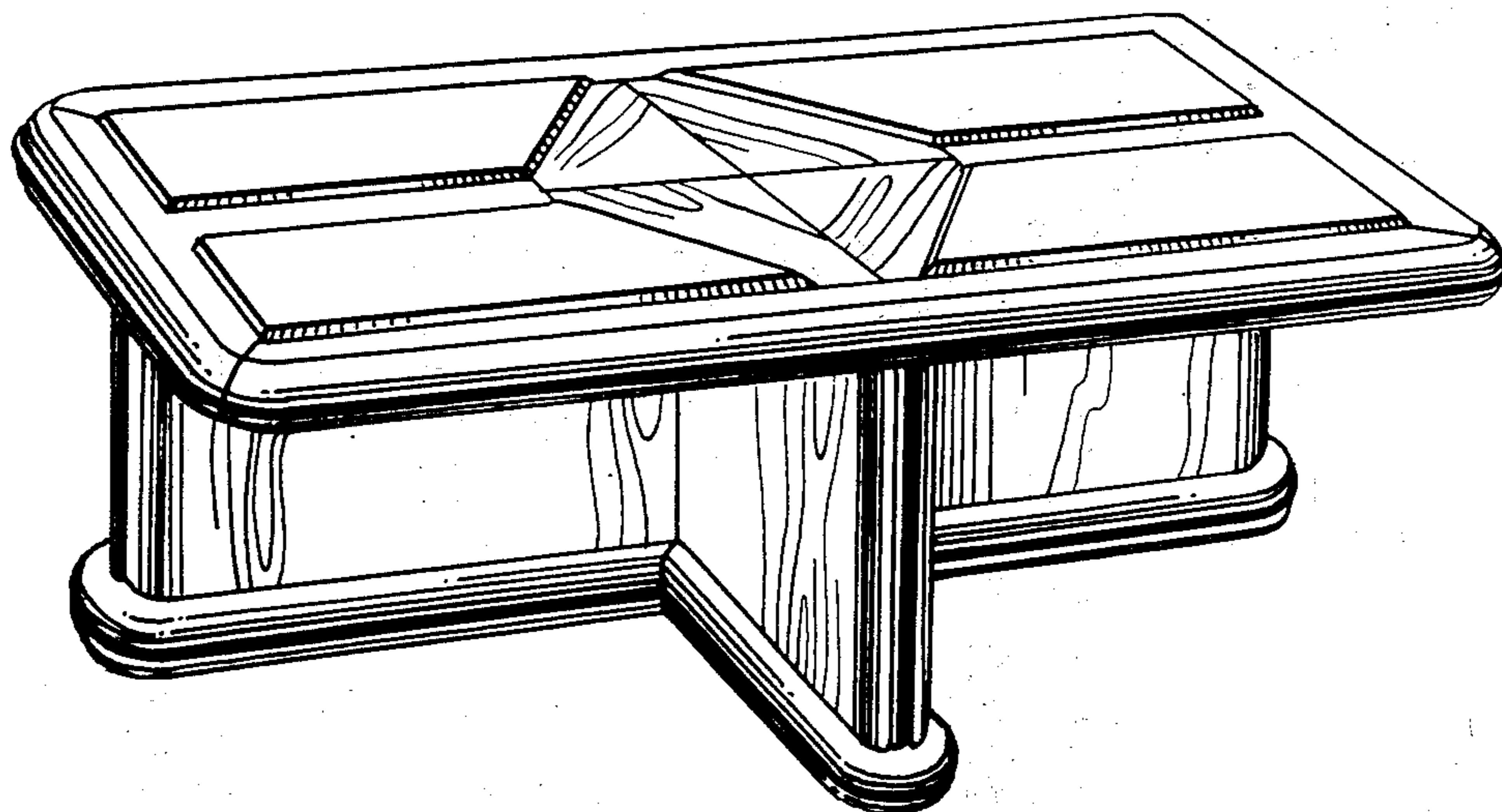


FIG. 1

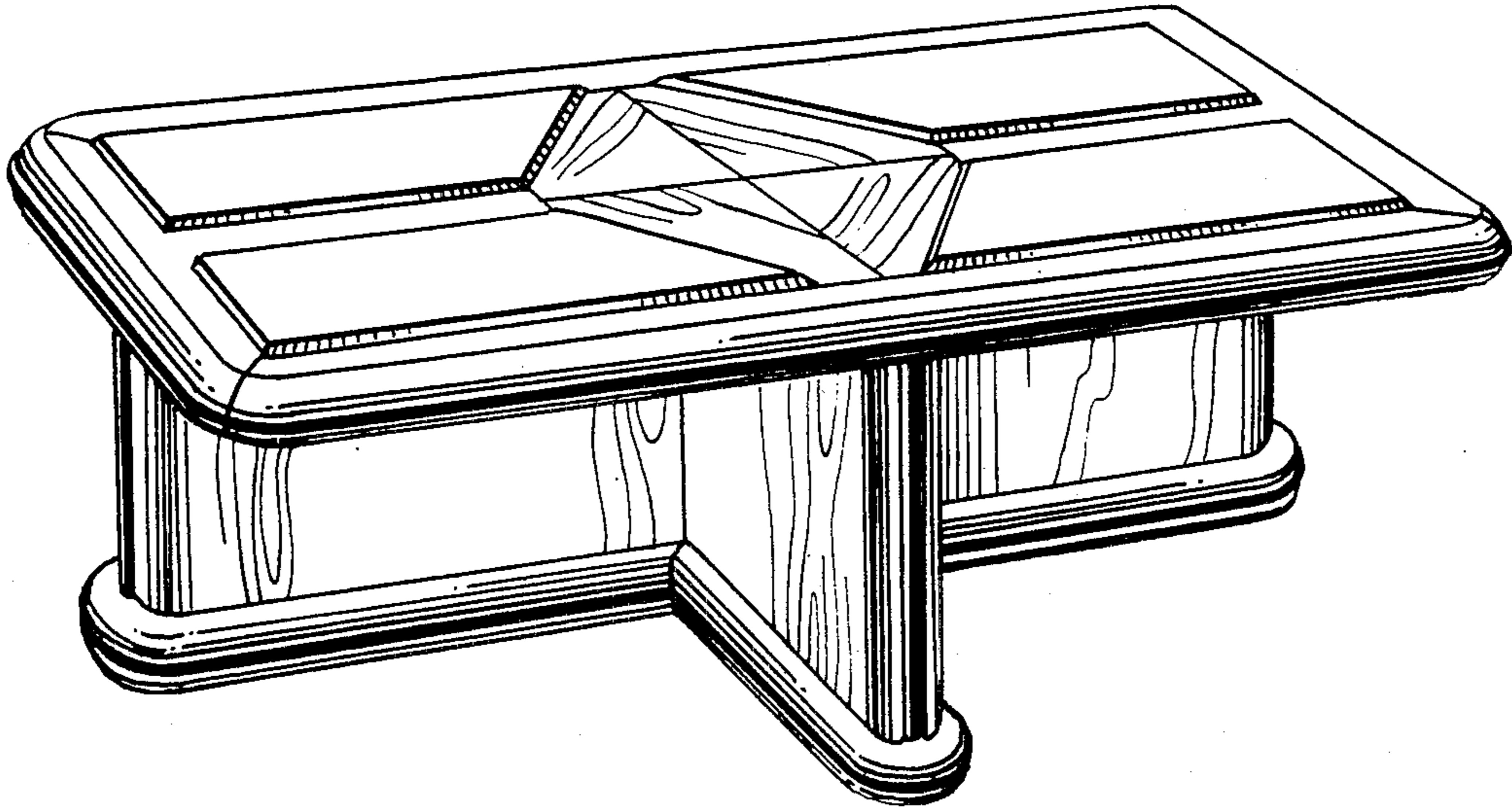


FIG. 2

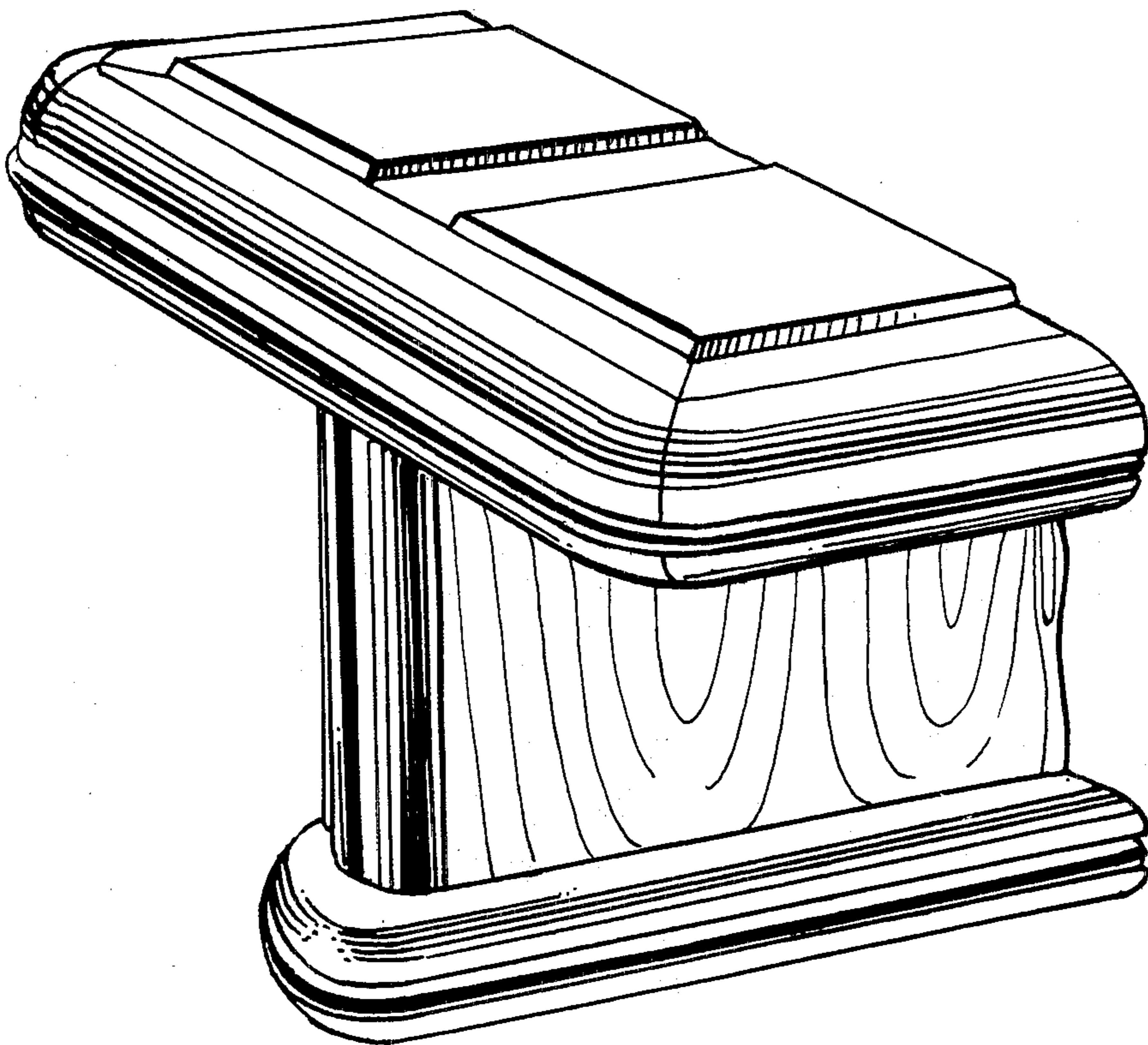


FIG. 3

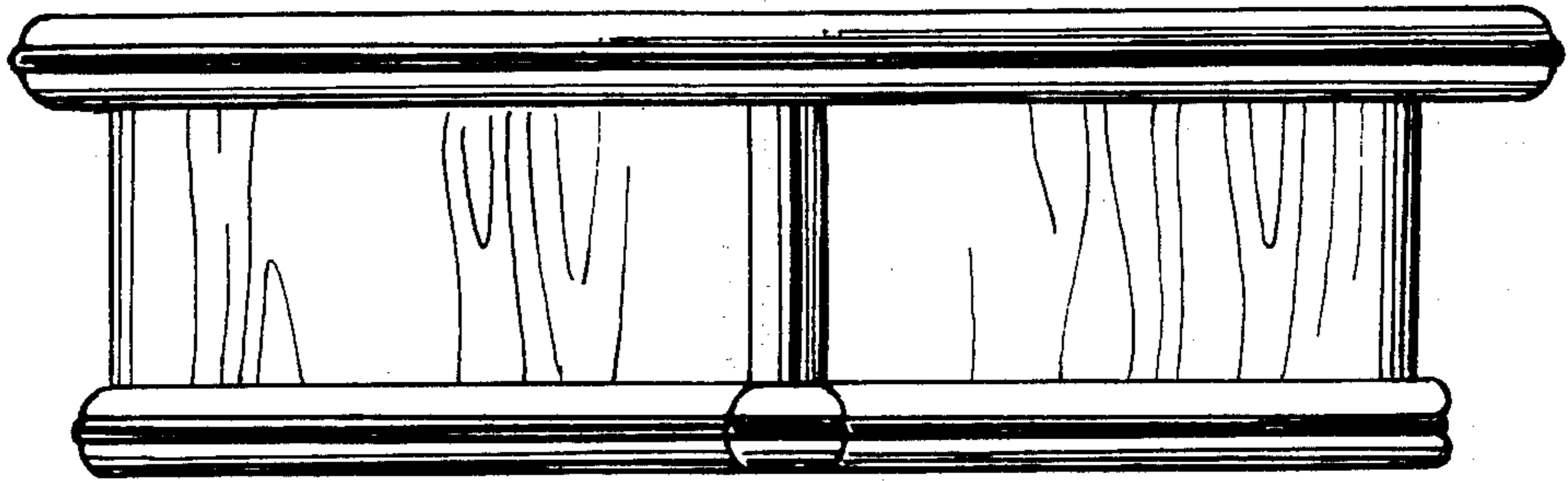


FIG. 4

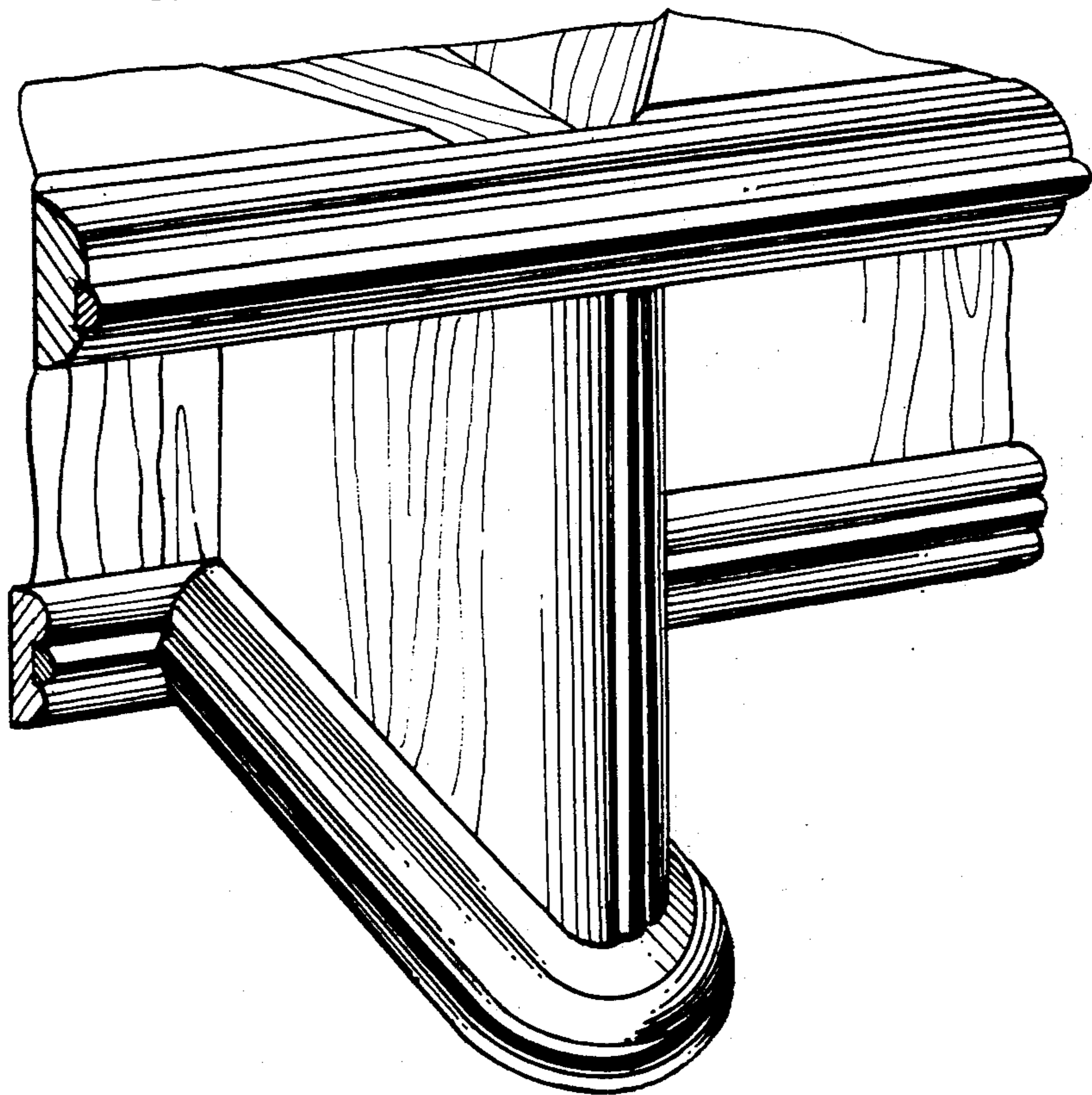


FIG. 5

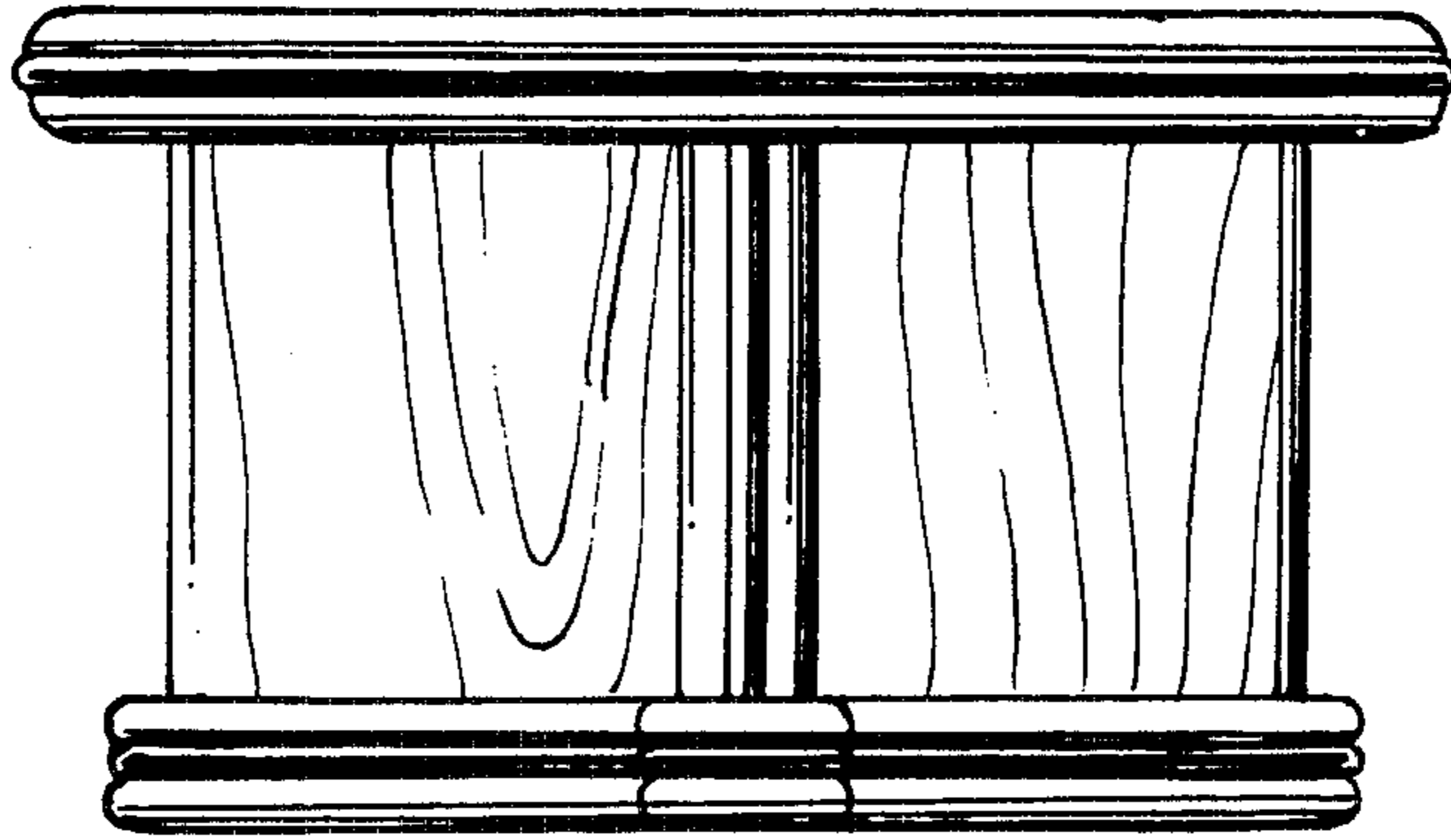


FIG. 6

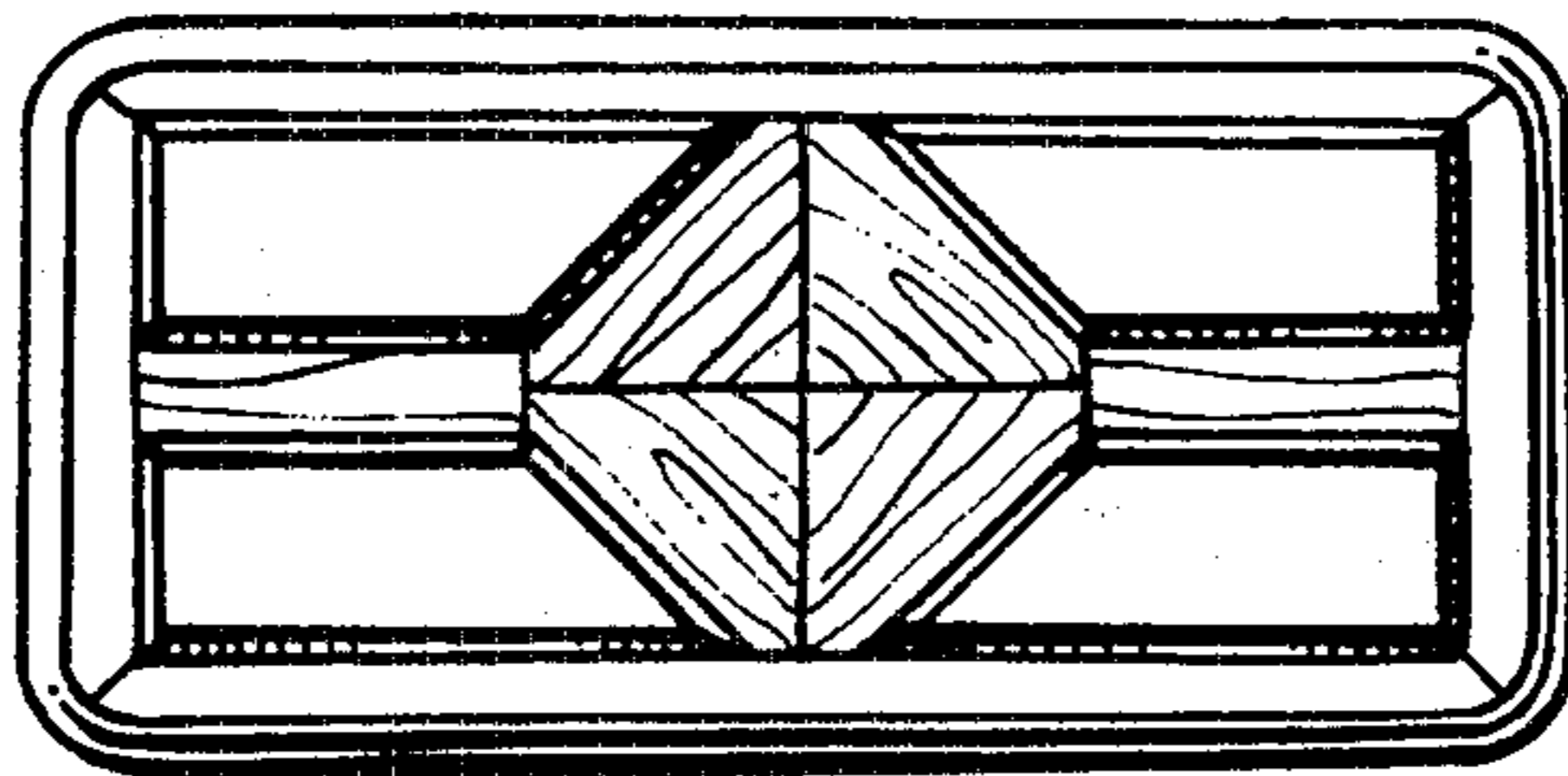


FIG. 7

