

[54] CABINET

[75] Inventor: Jane L. Jones, Jasper, Ind.

[73] Assignee: Kimball International, Inc., Jasper, Ind.

[**] Term: 14 Years

[21] Appl. No.: 617,685

[22] Filed: Jun. 6, 1984

[52] U.S. Cl. D6/446

[58] Field of Search D6/449, 432, 445, 446, D6/447, 448, 440, 422-428; 312/244, 330 R, 119

[56] References Cited

U.S. PATENT DOCUMENTS

D. 112,114	11/1938	Hanson	D6/441
D. 223,371	4/1972	Allen	D6/422
D. 241,293	9/1976	Introini	D6/446
4,310,207	1/1982	Adams, Jr.	312/258 X

OTHER PUBLICATIONS

Office Product, Jun. 1973, p. 54; Lateral File top left on page.

Primary Examiner—Carmen H. Vales
Attorney, Agent, or Firm—Jeffers, Irish & Hoffman

[57] CLAIM

The ornamental design for a cabinet, as shown and described.

DESCRIPTION

FIG. 1 is a perspective view of a cabinet showing my new design; the opposite side not shown being a mirror image thereof;

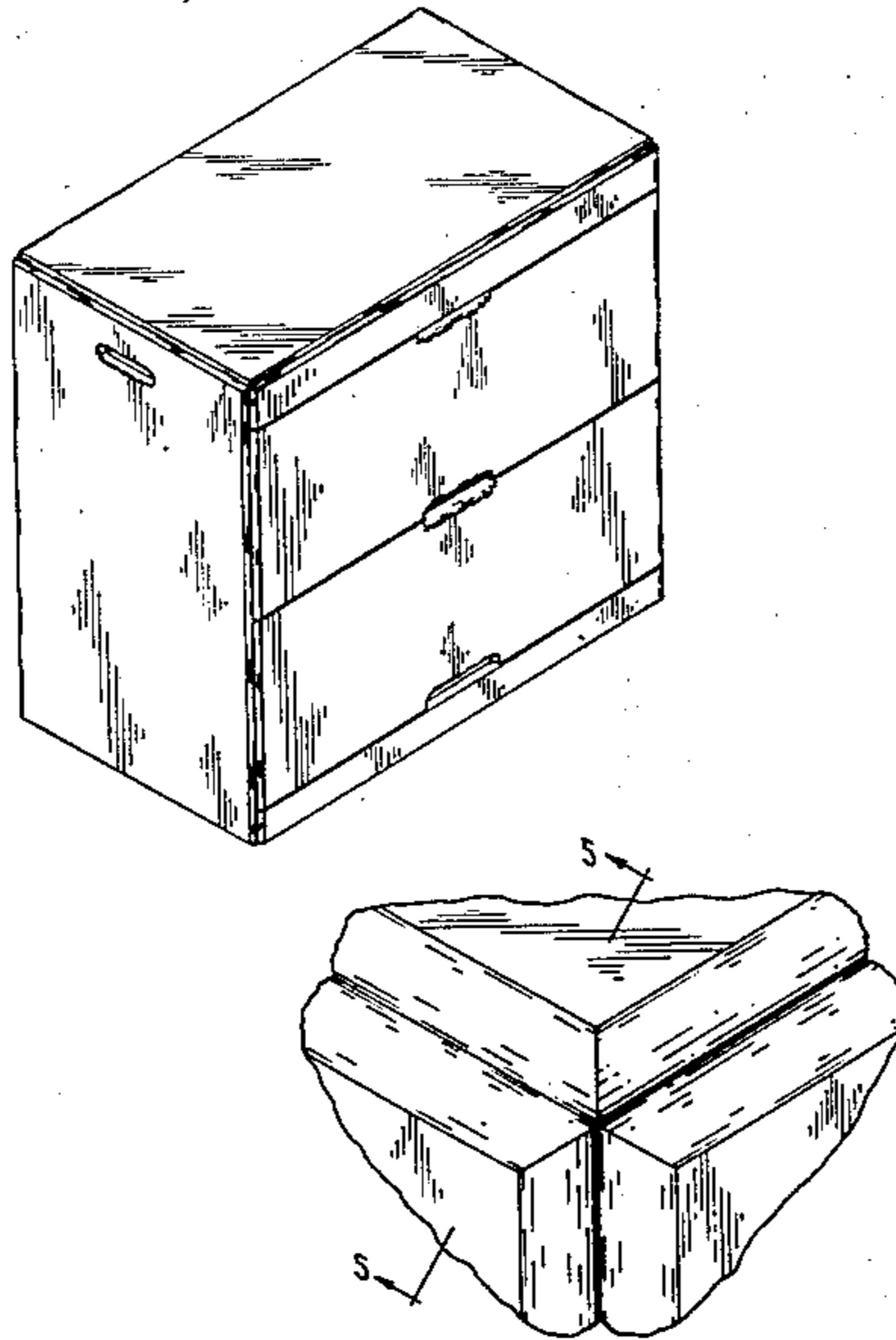
FIG. 2 is a front elevational view thereof;

FIG. 3 is an enlarged fragmentary perspective view of the front upper left end corner;

FIG. 4 is an enlarged fragmentary front elevational view thereof; and

FIG. 5 is an enlarged fragmentary sectional view taken along line 5—5 of FIG. 3.

The characteristic feature of my design resides in the edge appearance.



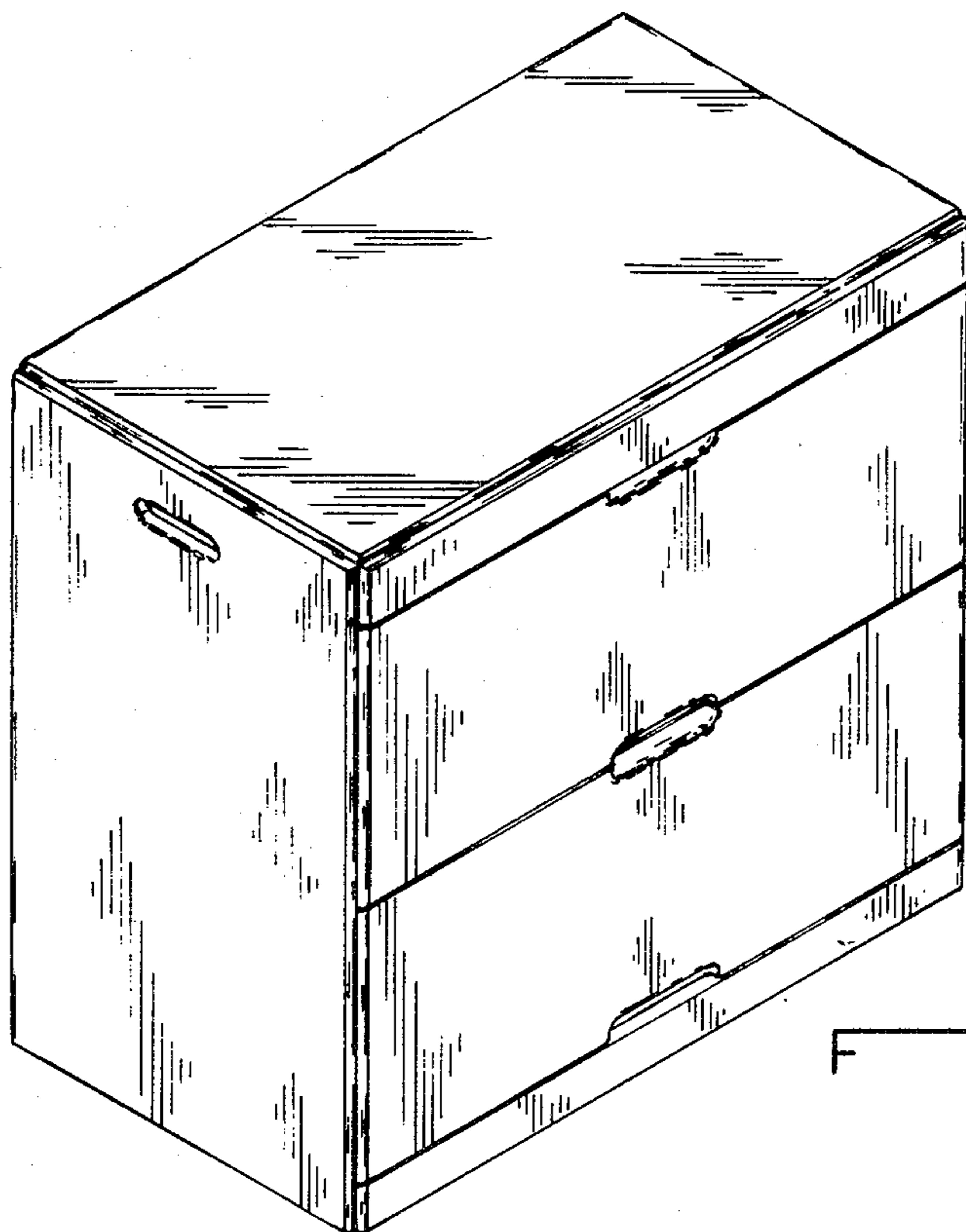


FIG. 1

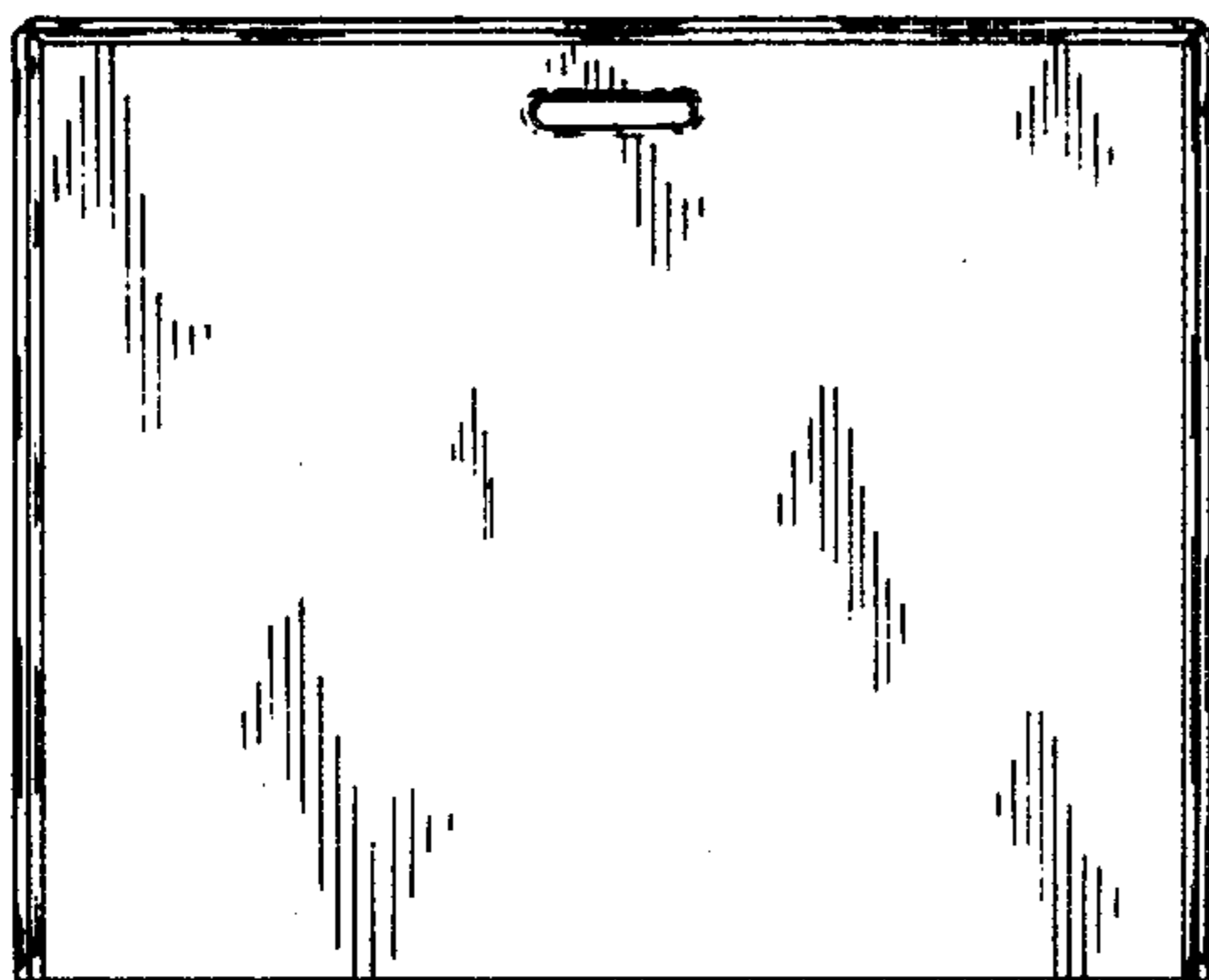


FIG. 2

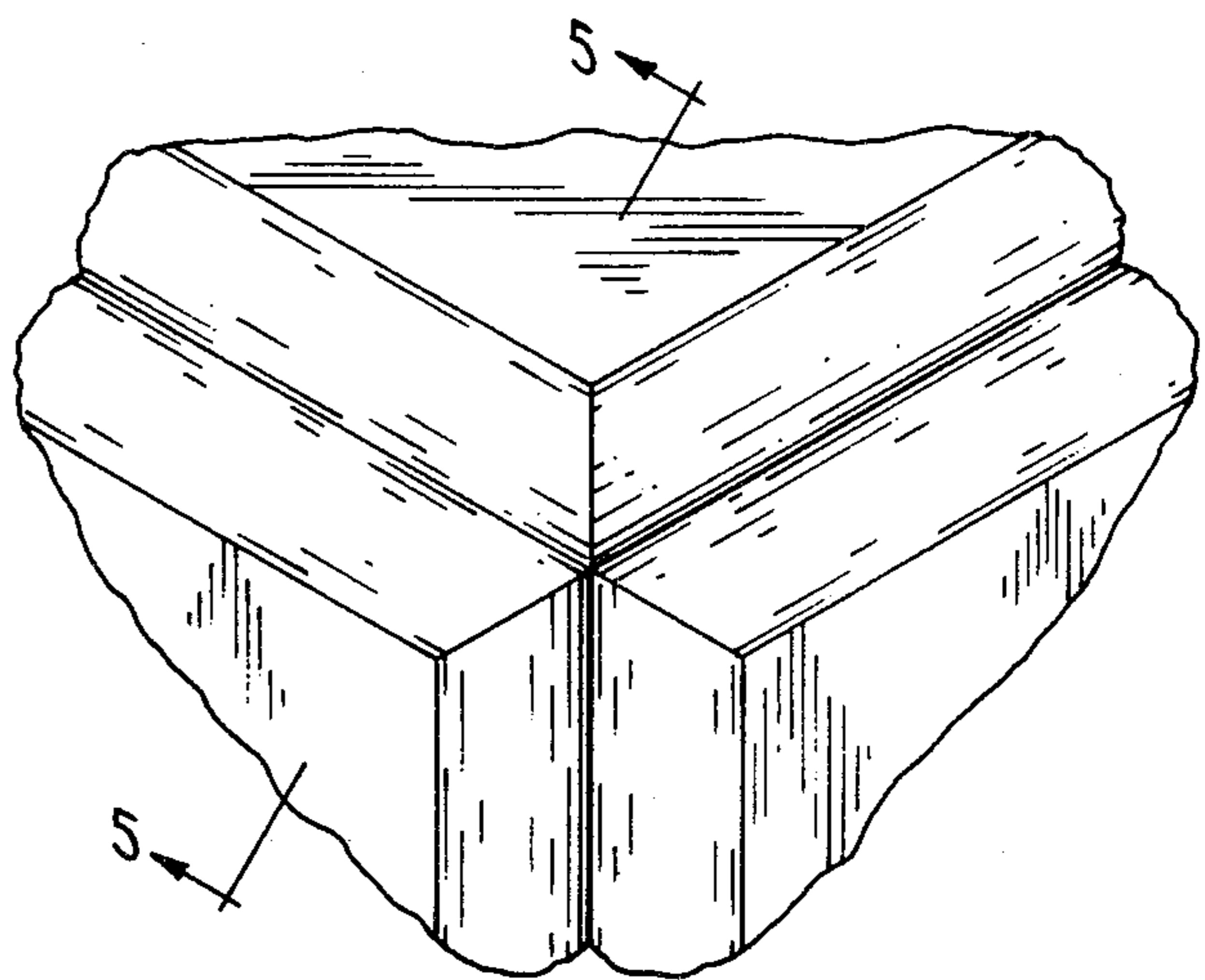


FIG. 3

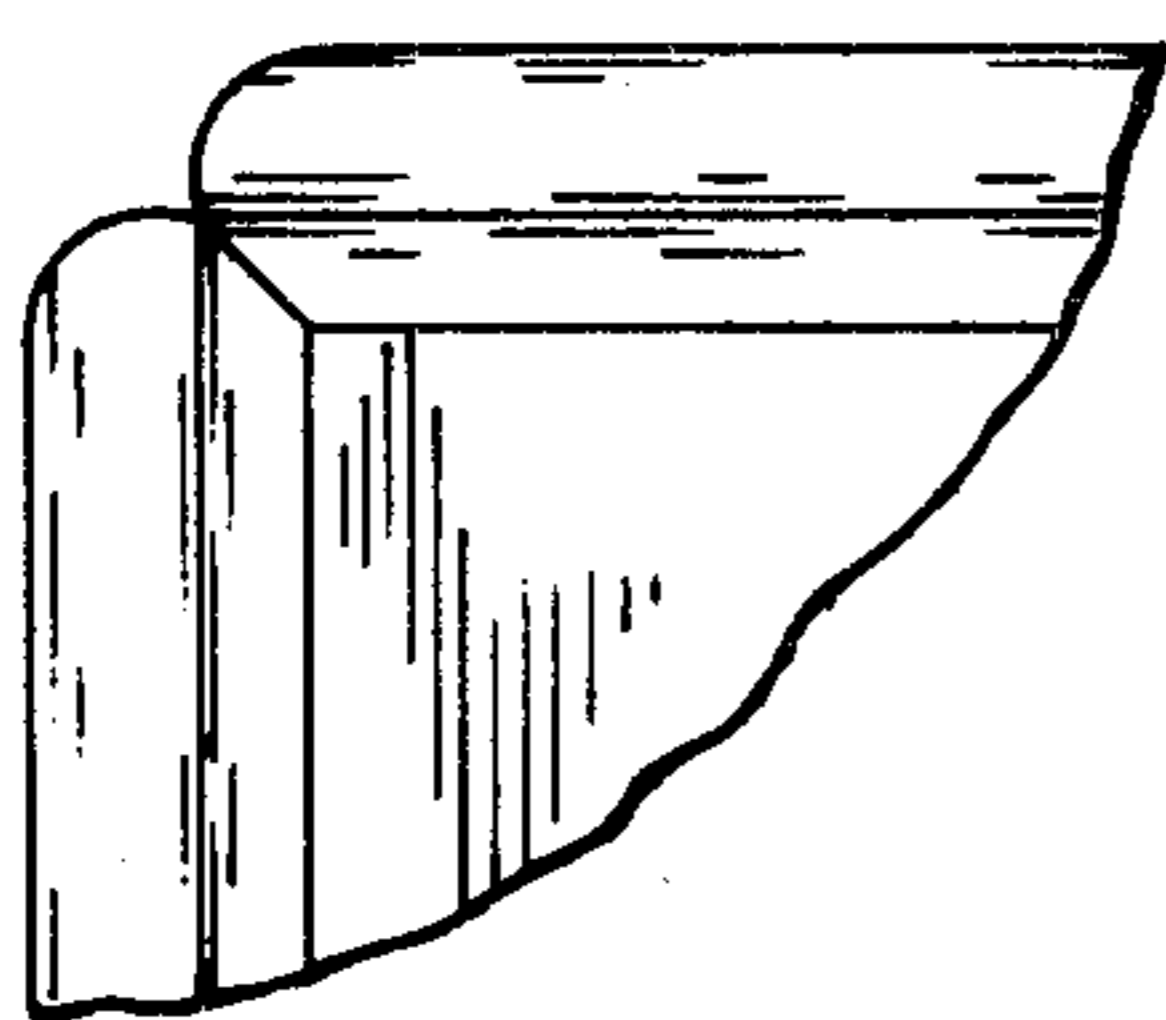


FIG. 4

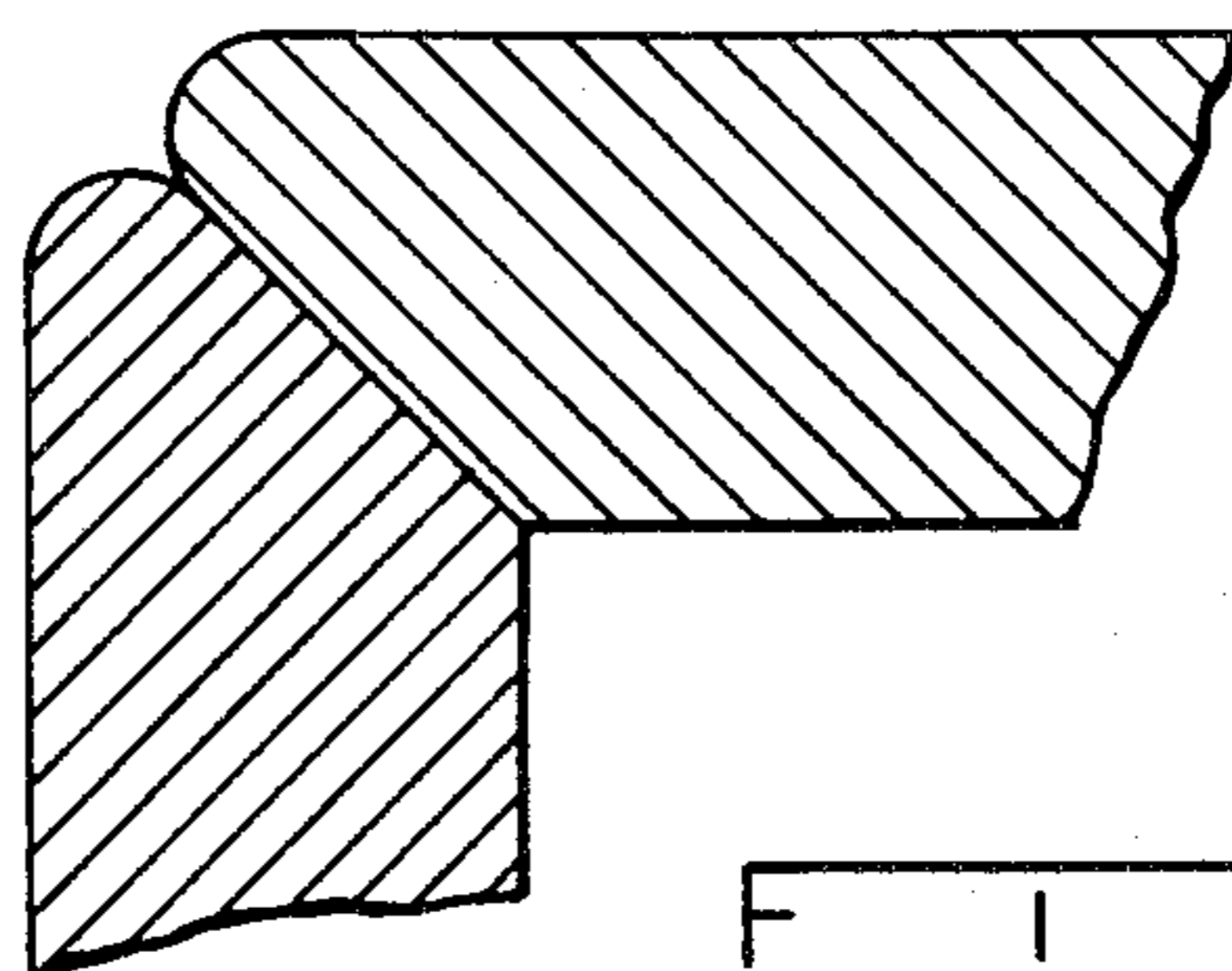


FIG. 5