

[54] **MOBILE TABLE**

[75] **Inventor: Robert C. Winzeler, III, Montpelier, Ohio**

[73] **Assignee: Design Institute America, Inc., Montpelier, Ohio**

[**] **Term: 14 Years**

[21] **Appl. No.: 621,604**

[22] **Filed: Jun. 18, 1984**

[52] **U.S. Cl. D6/429; D6/474; D6/478; D6/487; D34/21**

[58] **Field of Search D6/427, 430, 477, 478, D6/479, 480, 484, 429, 474, 487; D34/21**

[56] **References Cited**

U.S. PATENT DOCUMENTS

D. 236,054 7/1975 Ginat D34/21 X
D. 250,409 11/1978 Quapp D34/21

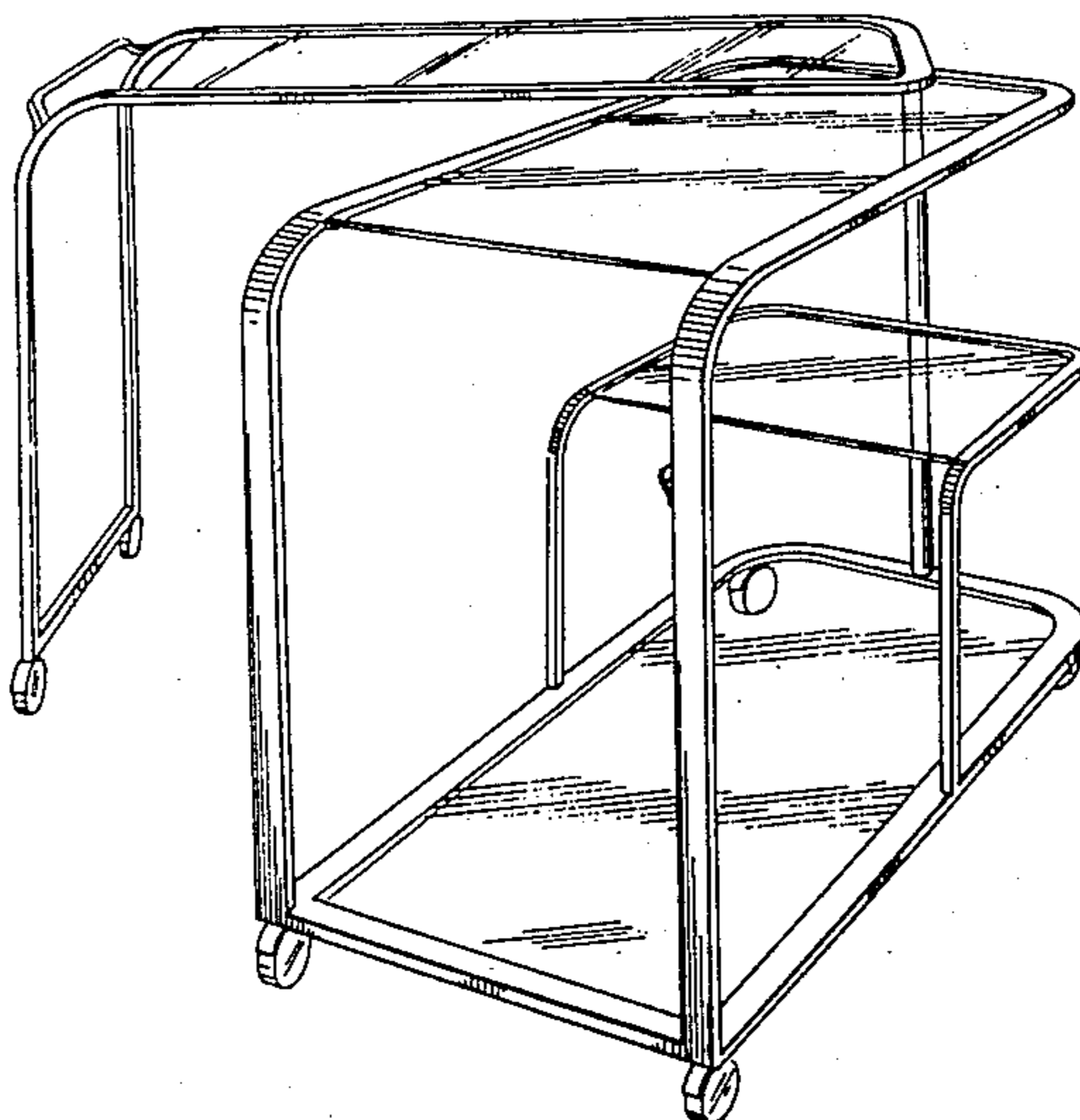
*Primary Examiner—Bruce W. Dunkins
Attorney, Agent, or Firm—Marshall & Melhorn*

[57] **CLAIM**

The ornamental design for a mobile table, as shown.

DESCRIPTION

FIG. 1 is a perspective view of a mobile table embodying my new design;
FIG. 2 is a top plan view thereof;
FIG. 3 is a side elevational view taken from the left-hand side of the table illustrated in FIG. 1; and
FIG. 4 is a side elevational view taken from the right-hand side of the table illustrated in FIG. 1.



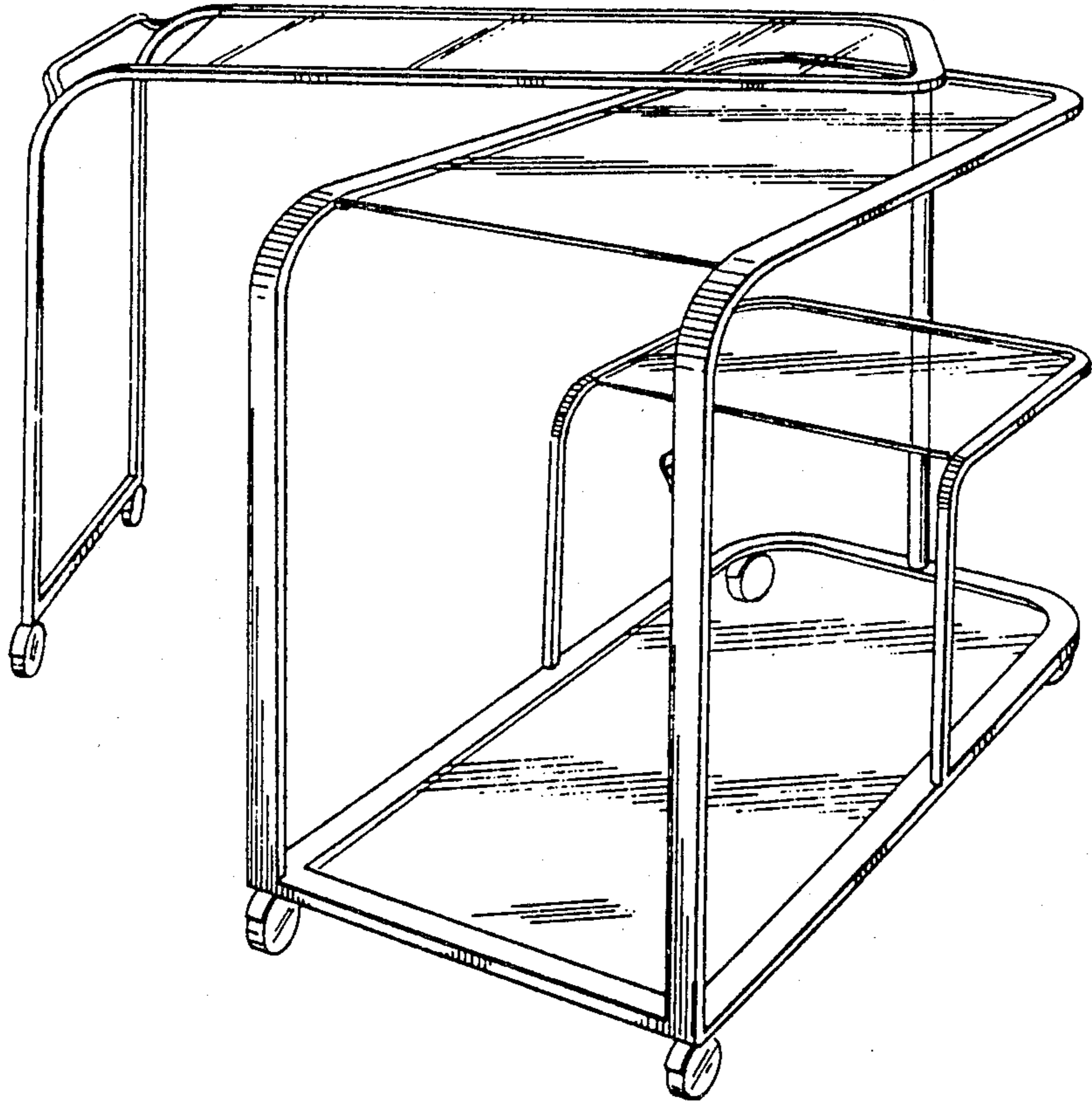


FIG. 1

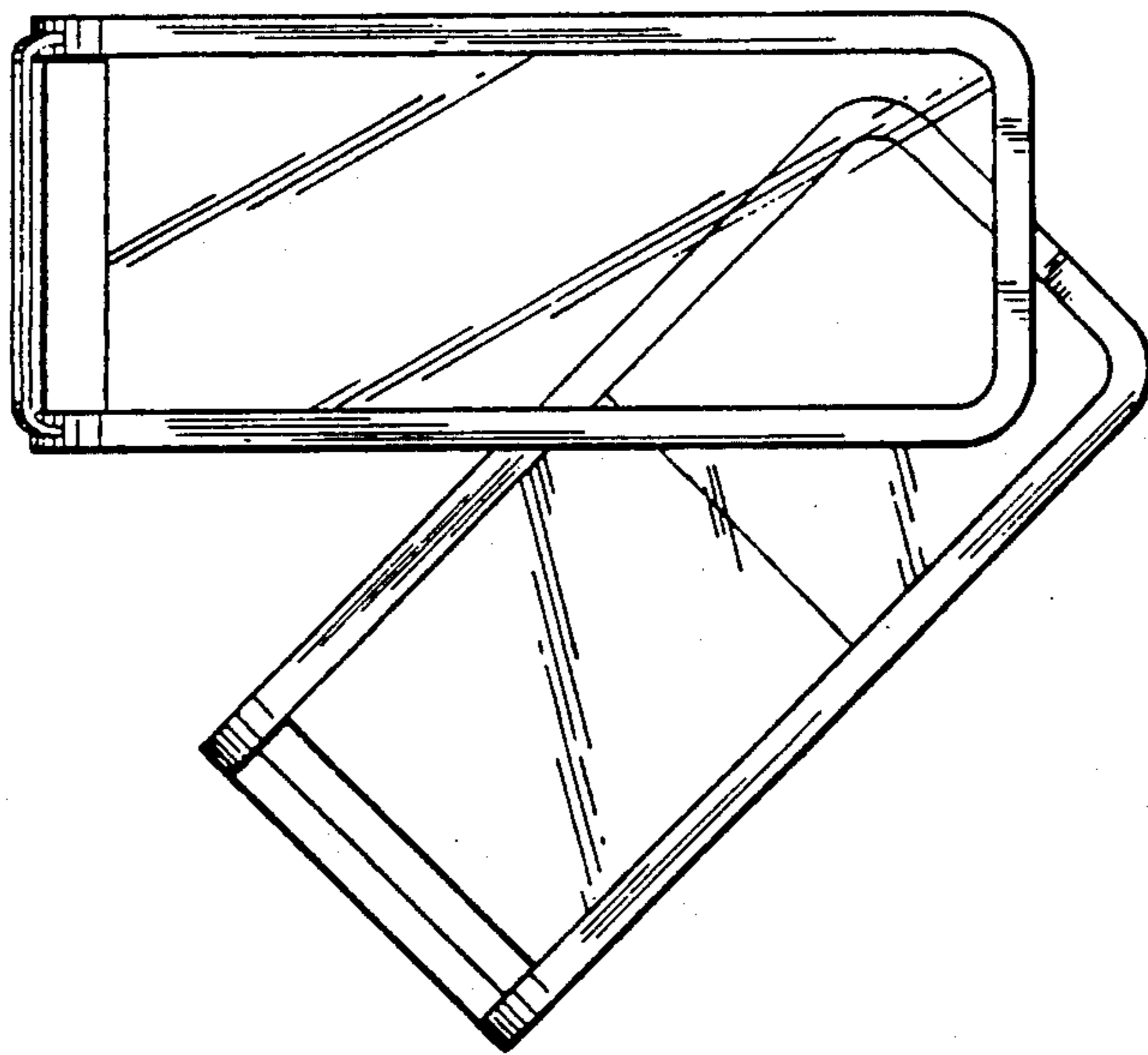


FIG. 2

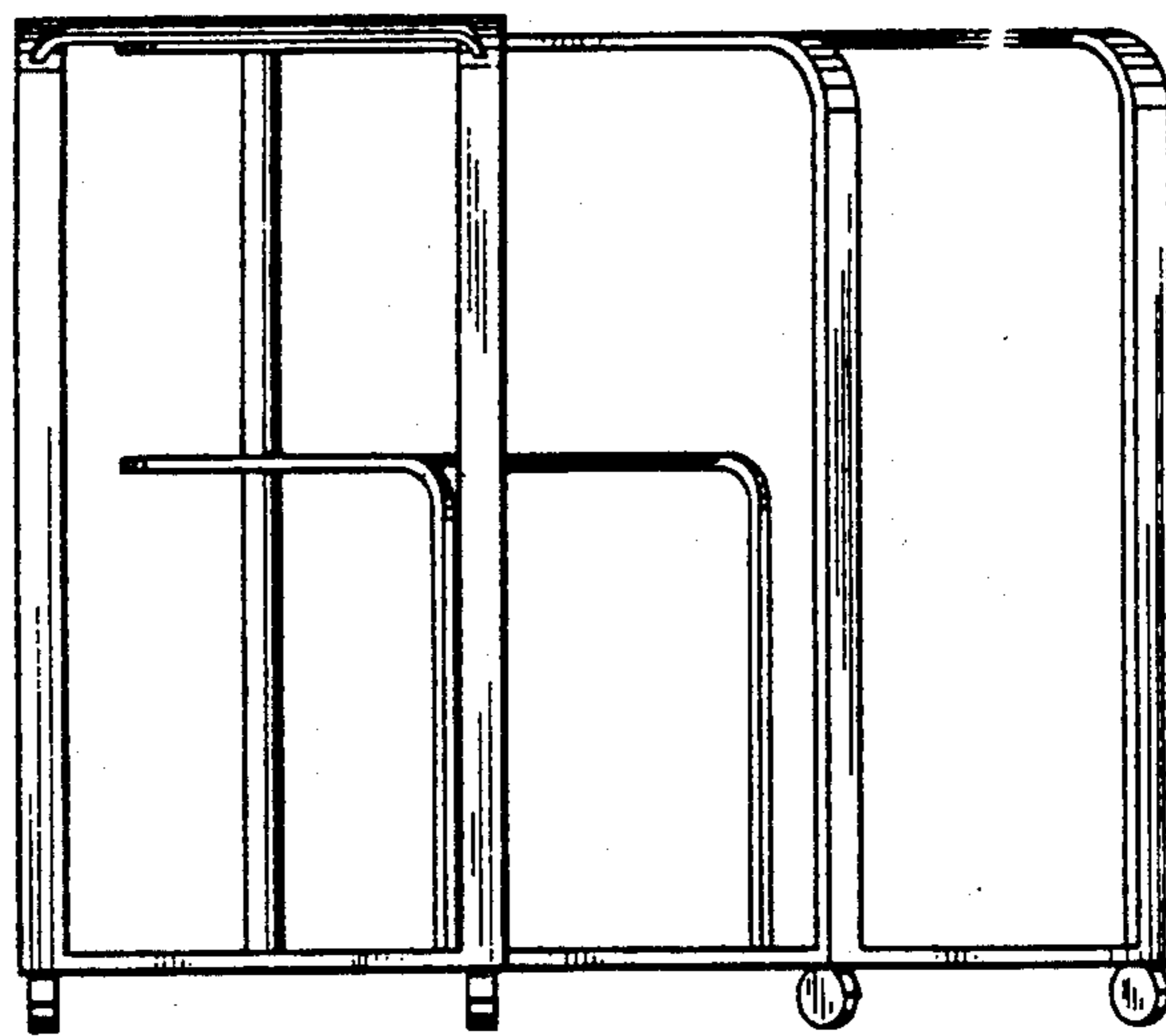


FIG. 3

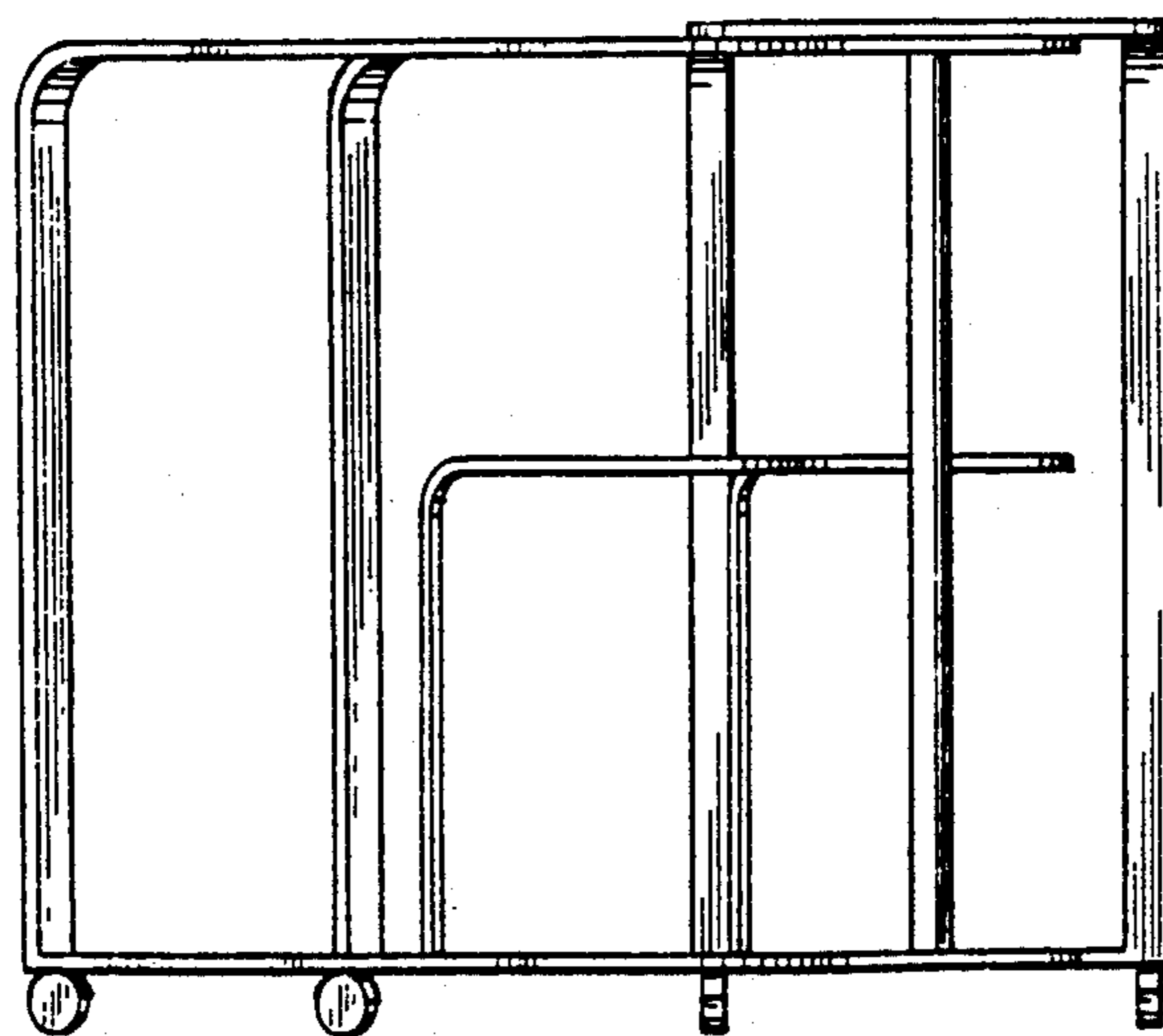


FIG. 4