

[54] COMBINED SEAT AND STORAGE UNIT

[76] Inventor: David J. Mample, 8247 89th St. North, Mahtomedi, Minn. 55115

[\*\*] Term: 14 Years

[21] Appl. No.: 641,567

[22] Filed: Aug. 16, 1984

[52] U.S. Cl. .... D6/336; D6/356; D6/358

[58] Field of Search ..... D6/334, 335, 336, 356, D6/358, 379, 380; D12/17, 19, 20; 297/445

[56] References Cited

U.S. PATENT DOCUMENTS

- D. 21,756 8/1892 Doyle ..... D12/17
- D. 36,508 8/1903 Gaylor ..... D12/17
- D. 140,126 1/1945 Underkofler ..... D6/371

- D. 245,297 8/1977 Curtin ..... D6/336
- D. 261,834 11/1981 Stebbins ..... D6/336
- D. 274,581 7/1984 Gallock ..... D6/336

Primary Examiner—Bruce W. Dunkins  
Attorney, Agent, or Firm—Jacobson and Johnson

[57] CLAIM

The ornamental design for a combined seat and storage unit, as shown and described.

DESCRIPTION

FIG. 1 is an upper side perspective view of a combined seat and storage unit showing my new design; FIG. 2 is a front elevational view thereof; FIG. 3 is a left side elevational view thereof; FIG. 4 is a top plan view thereof; and FIG. 5 is a rear elevational view thereof. The right side is a mirror image of the left side and the bottom is flat and unadorned.

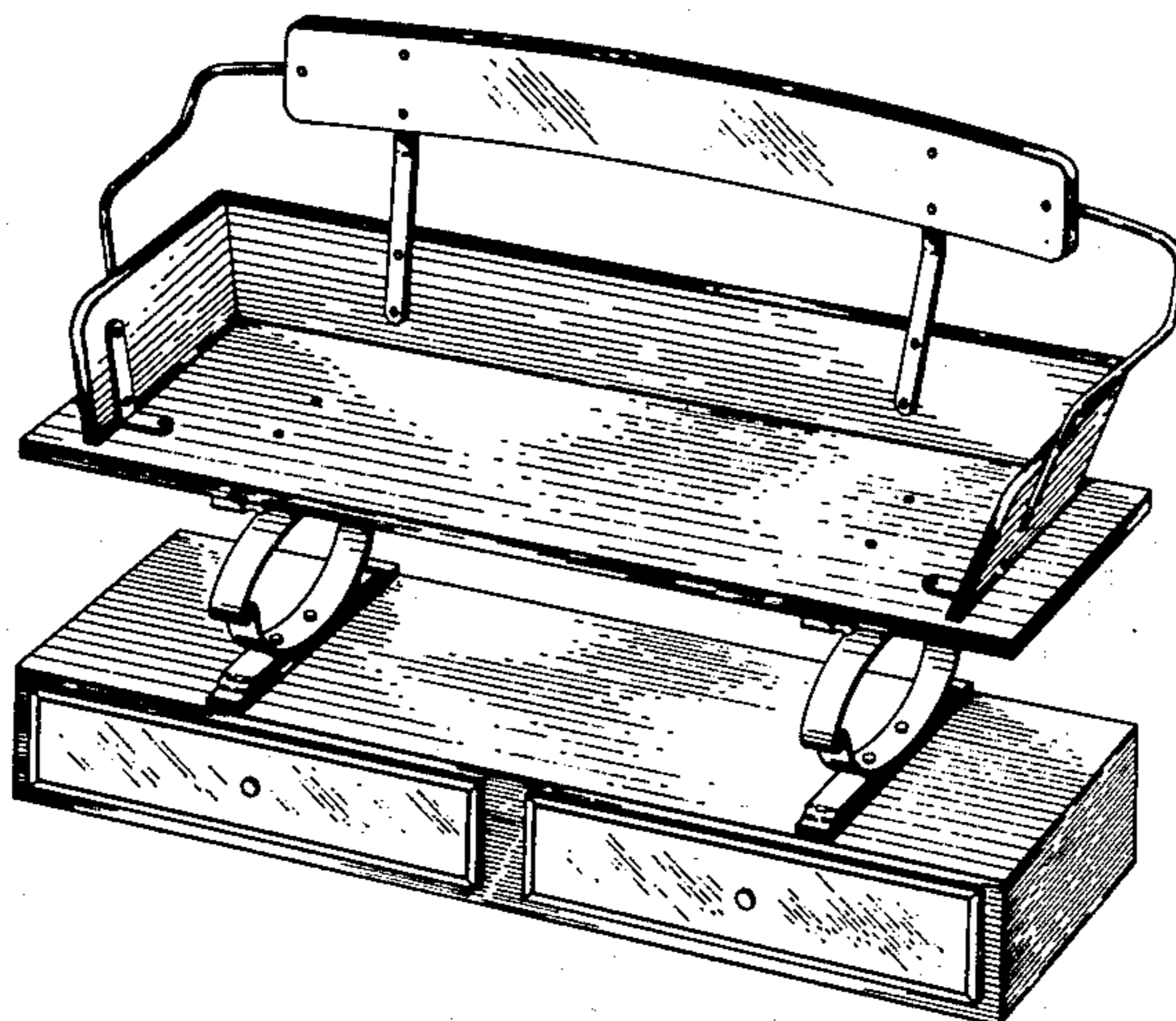


Fig. 1

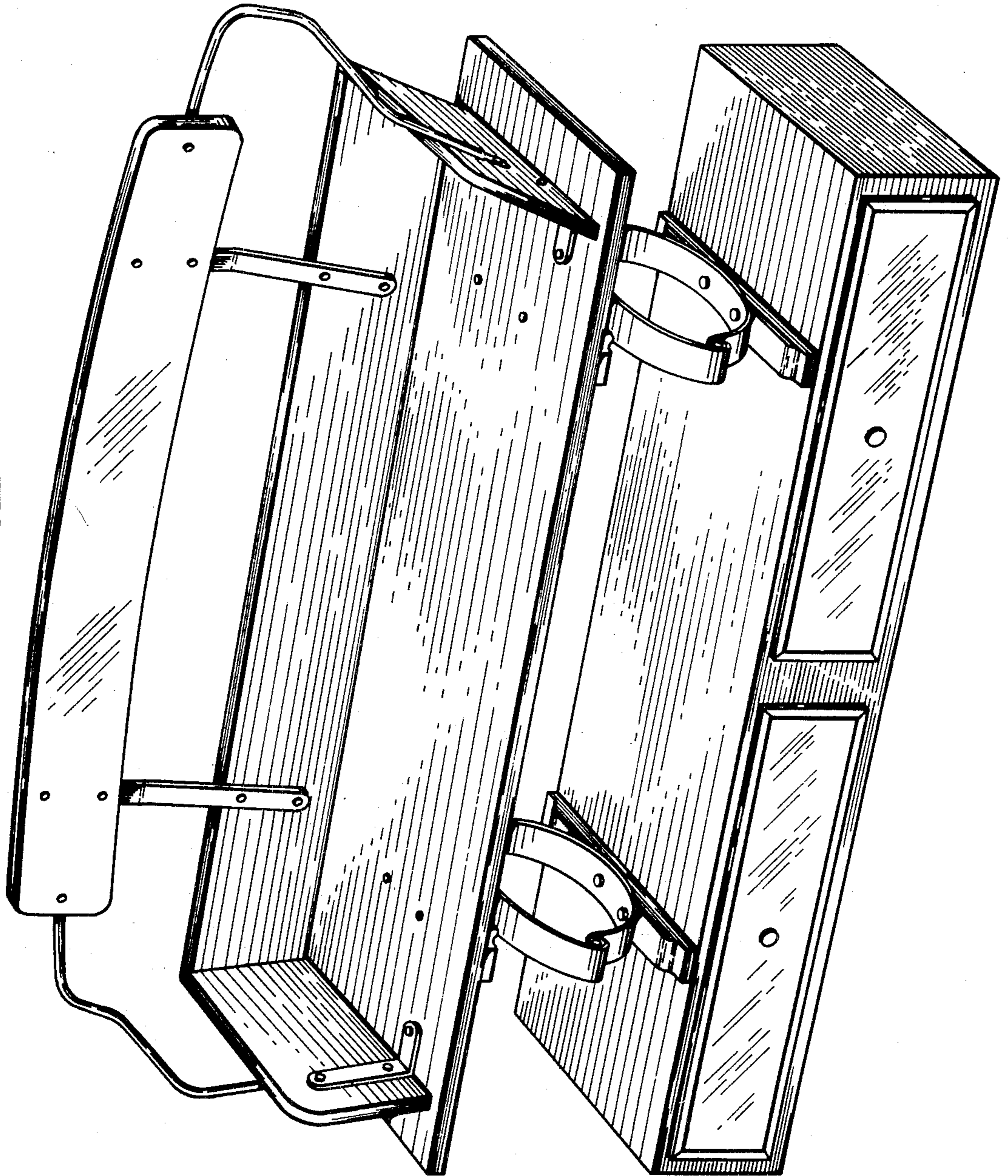


Fig. 2

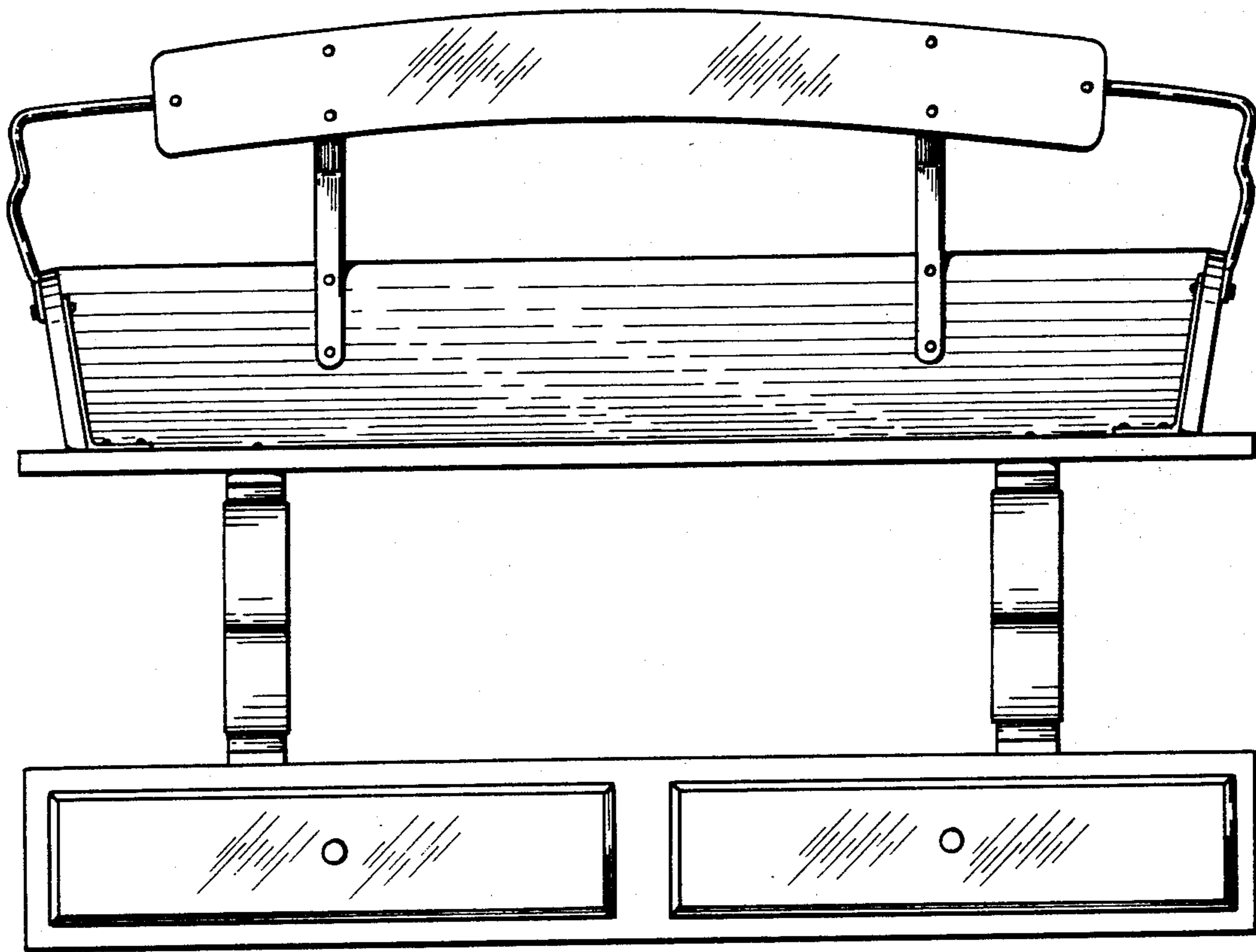


Fig. 3

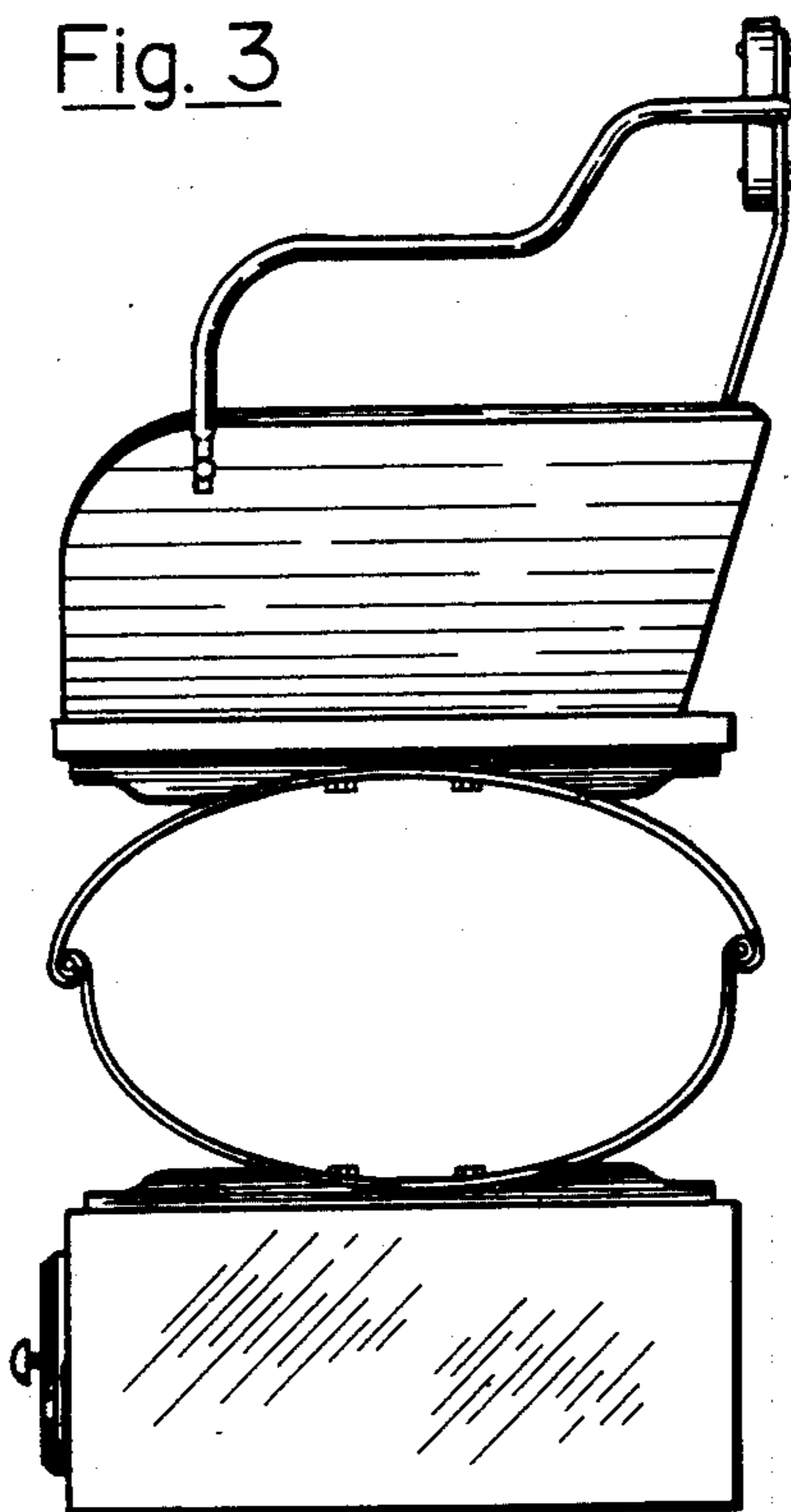


Fig. 4

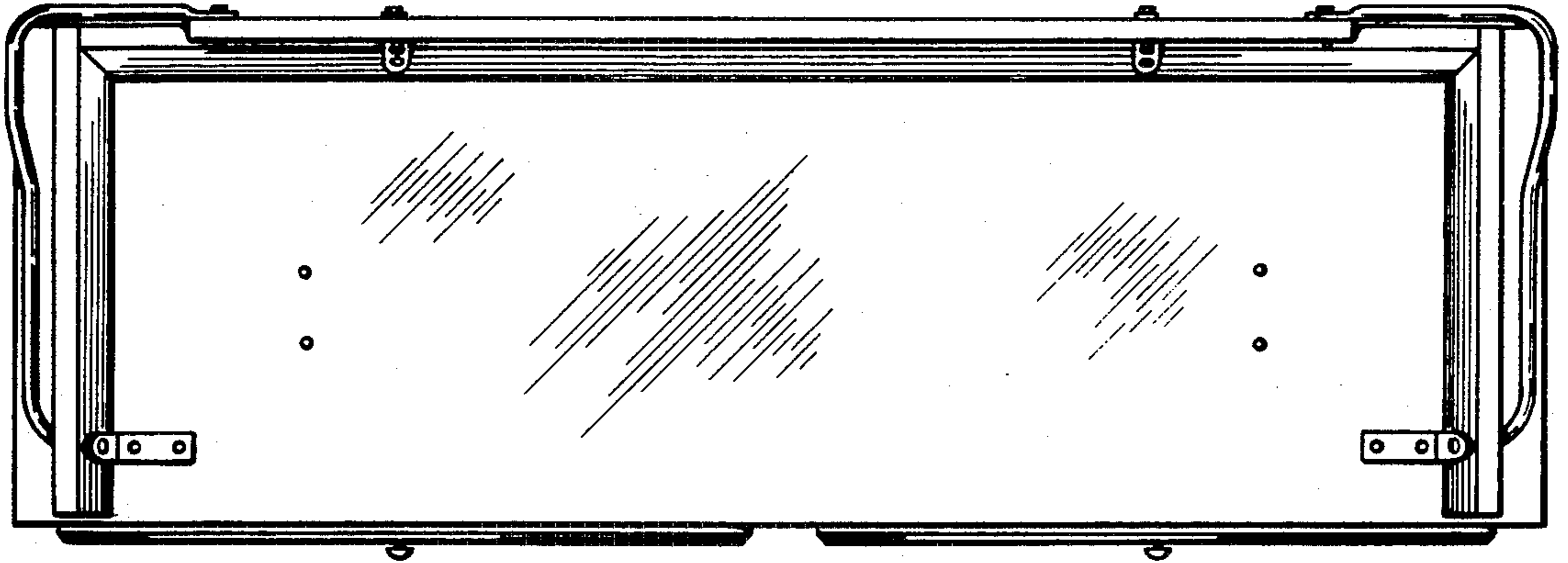


Fig. 5

