

[54] FISHING ROD HOLSTER

[76] Inventor: Louis A. Webber, 4558 Rueda St., San Diego, Calif. 92124

[**] Term: 14 Years

[21] Appl. No.: 617,046

[22] Filed: Jun. 4, 1984

[52] U.S. Cl. D3/100

[58] Field of Search D3/100; 224/922, 253, 224/197, 907, 251, 242, 268; 43/21.2

[56] References Cited

U.S. PATENT DOCUMENTS

2,139,188	12/1938	Haislip	224/907
2,576,624	11/1951	Miller	43/21.2
3,599,847	8/1971	Danielson	224/253
3,963,156	6/1976	Perrin	224/268
4,106,679	8/1978	Hillinger	224/197
4,372,468	2/1983	Harvey	224/253

Primary Examiner—James M. Gandy
Assistant Examiner—Kay H. Chin
Attorney, Agent, or Firm—John E. Benoit

[57] CLAIM

The ornamental design for a fishing rod holster, as shown and described.

DESCRIPTION

FIG. 1 is a perspective view of a fishing rod holster showing my new design, the broken lines are for illustrative purposes only and form no part of the claimed design;

FIG. 2 is a front elevation view thereof;

FIG. 3 is a rear elevation view thereof;

FIG. 4 is a side elevation view thereof;

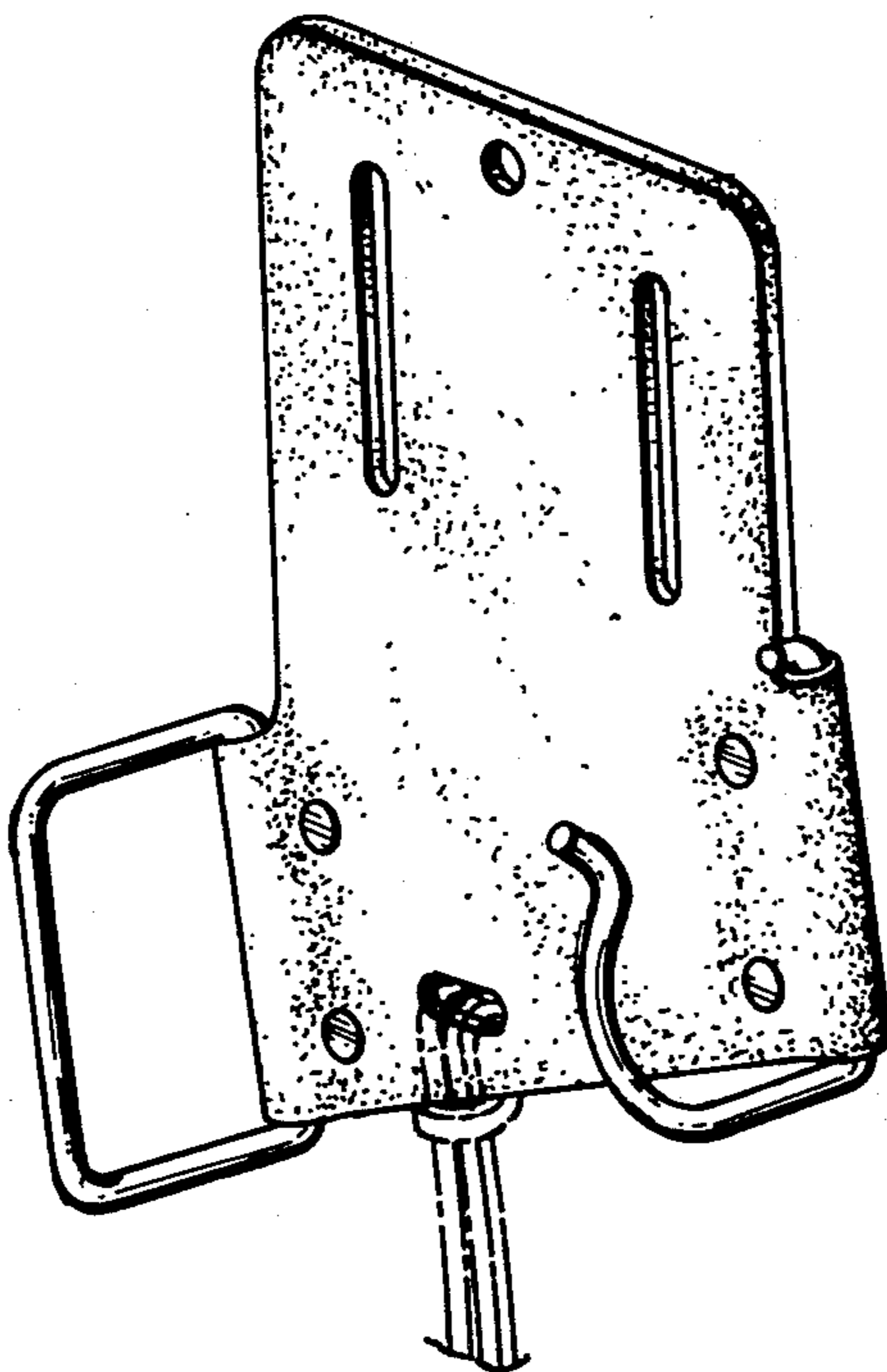
FIG. 5 is a top plan view thereof;

FIG. 6 is a perspective view of a fishing rod holster showing a second embodiment of my new design;

FIG. 7 is a front elevation view of FIG. 6;

FIG. 8 is a rear elevation view of FIG. 6;

FIG. 9 is a side elevation view of FIG. 6.



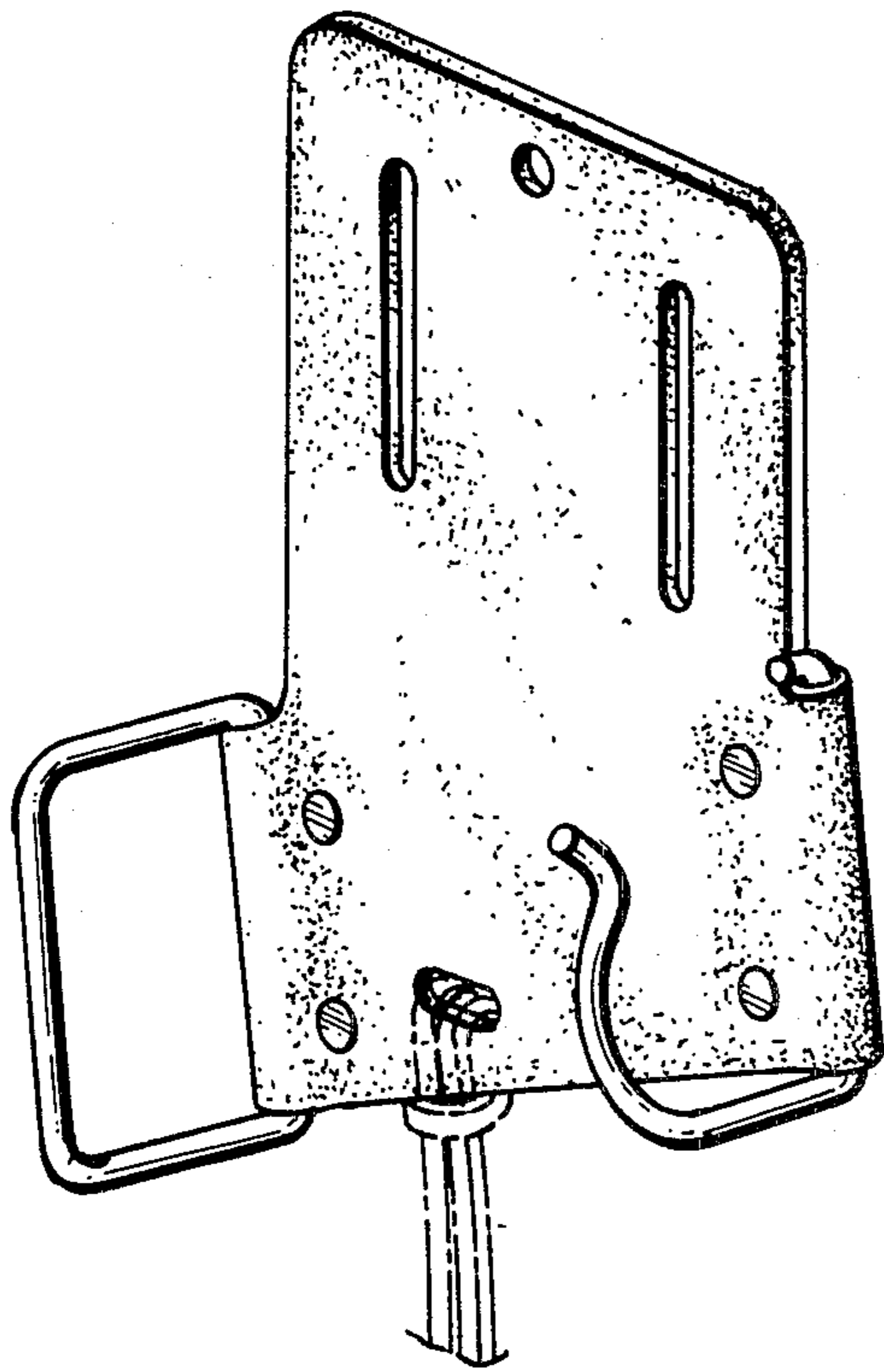


FIG. 1

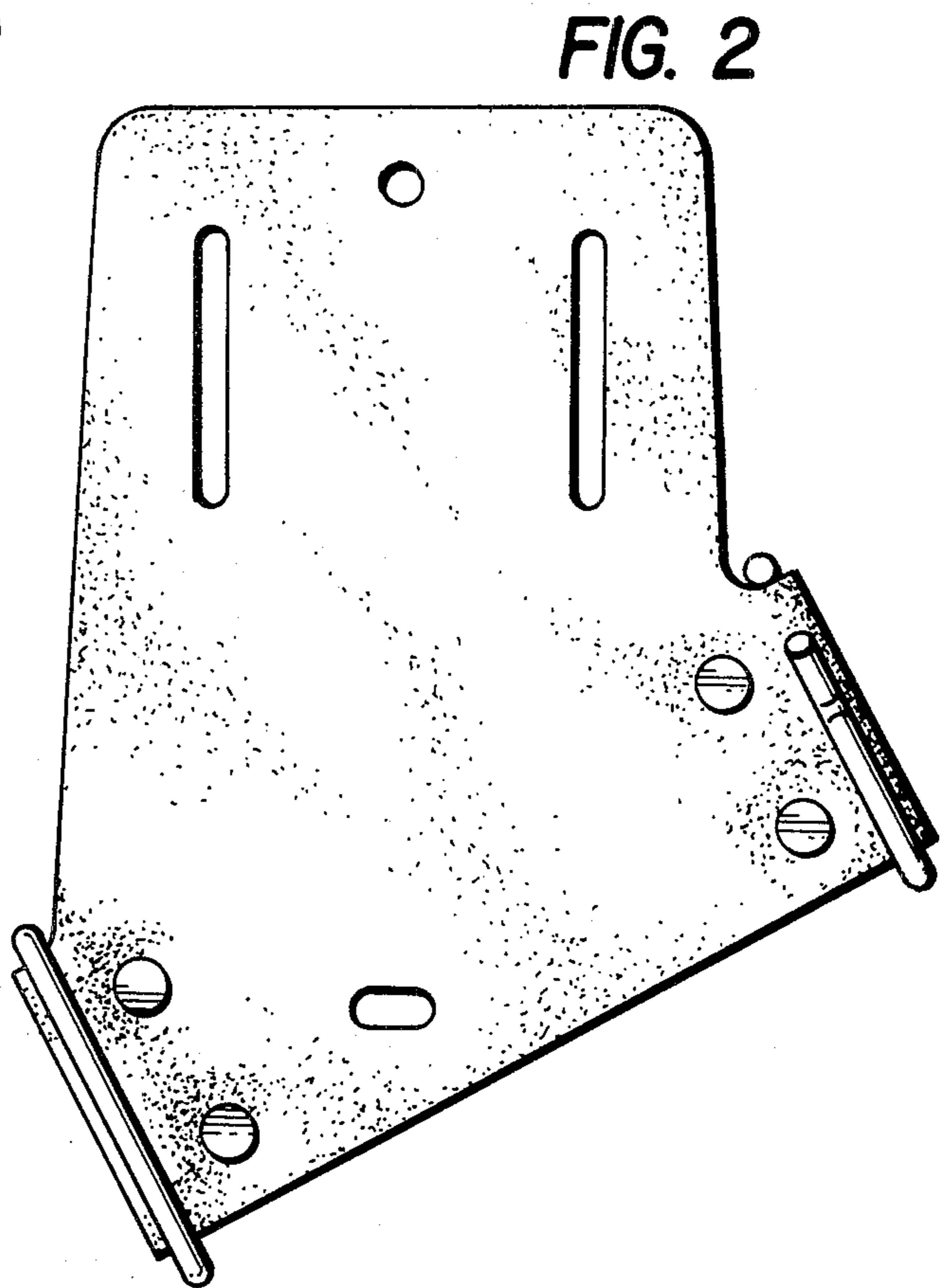


FIG. 2

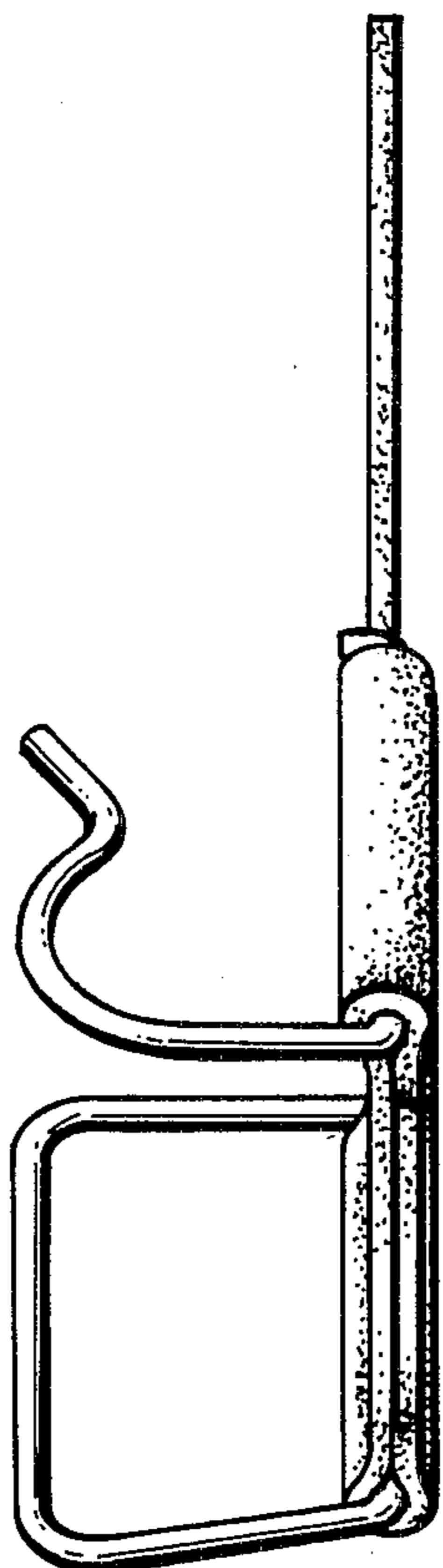


FIG. 4

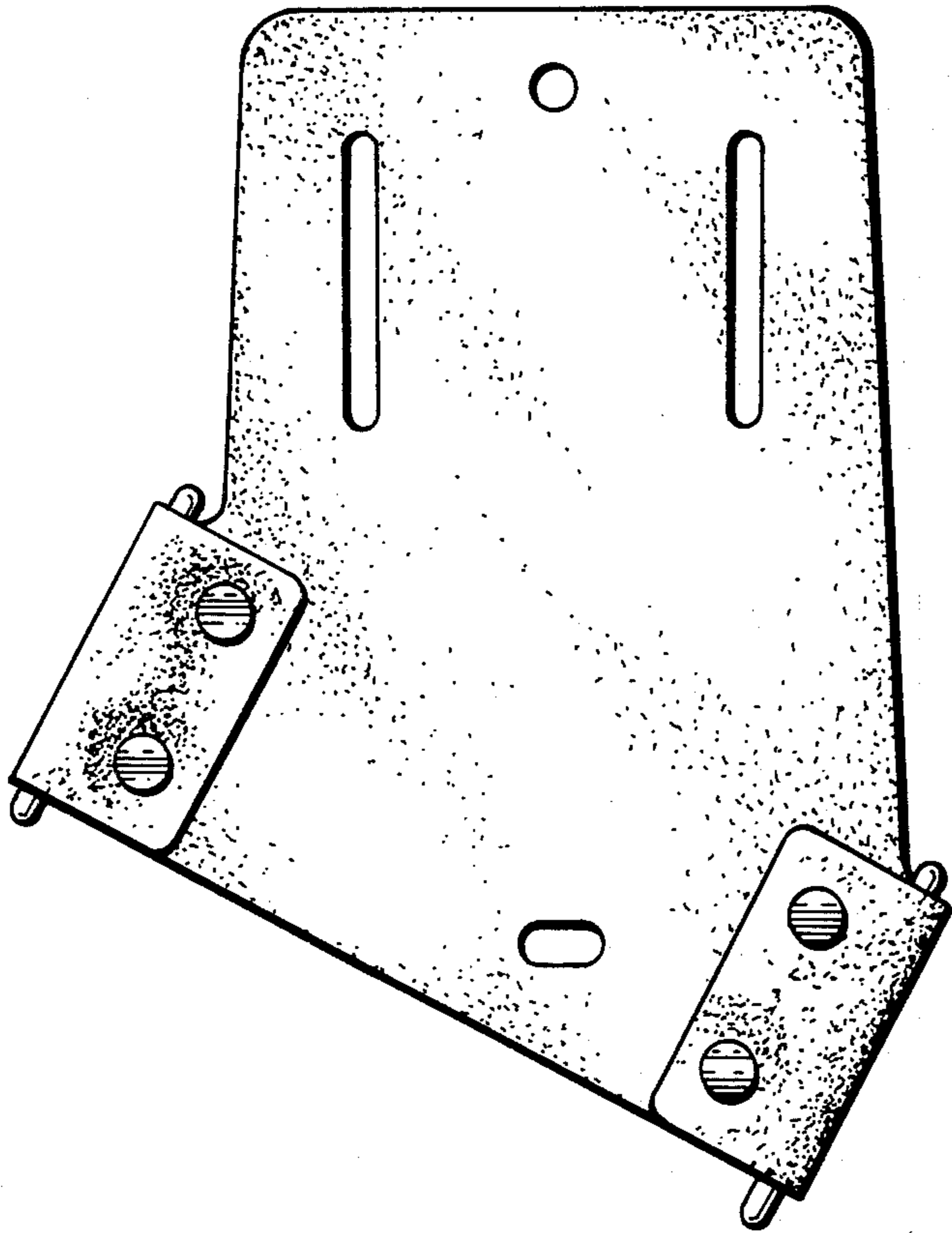


FIG. 3



FIG. 5

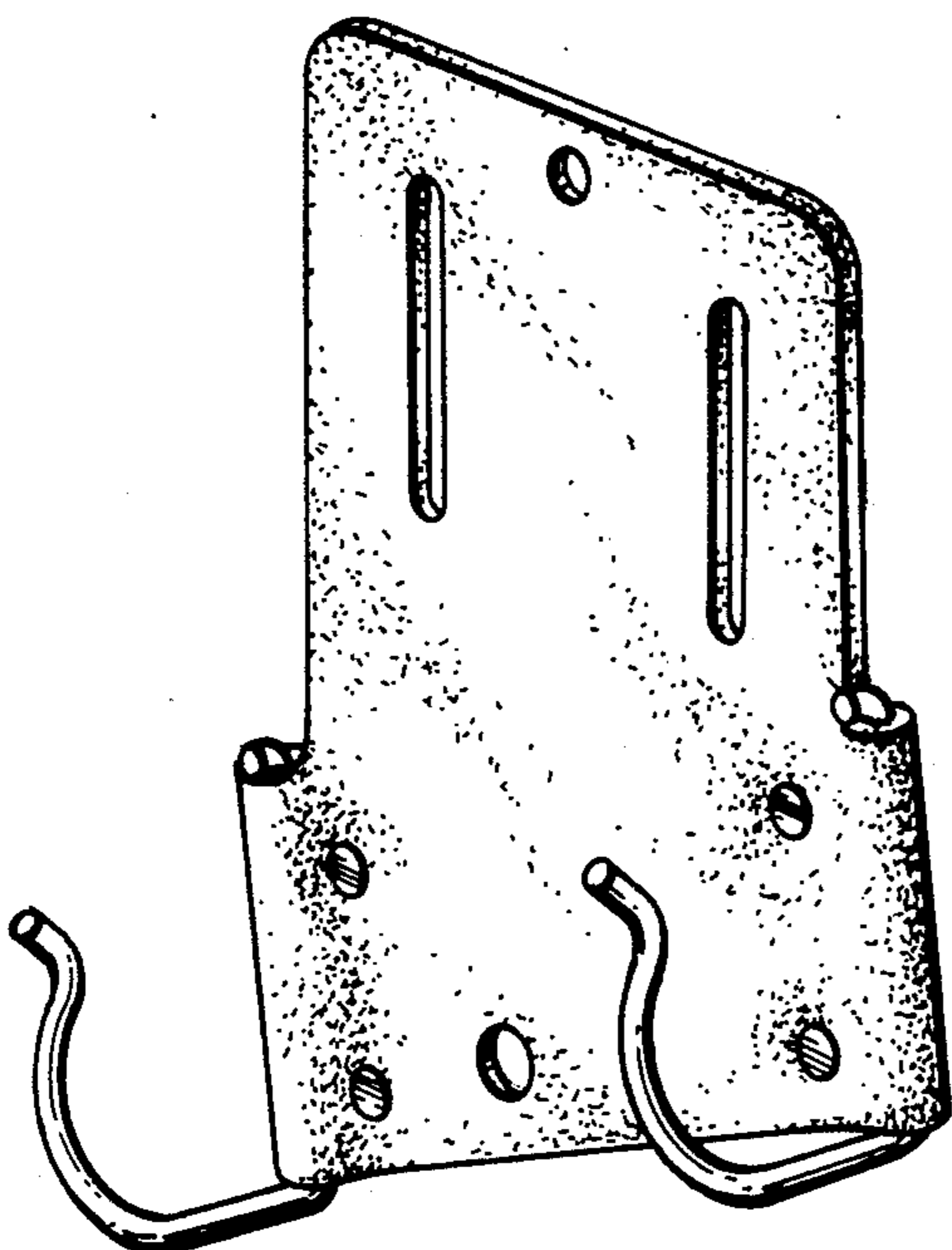


FIG. 6

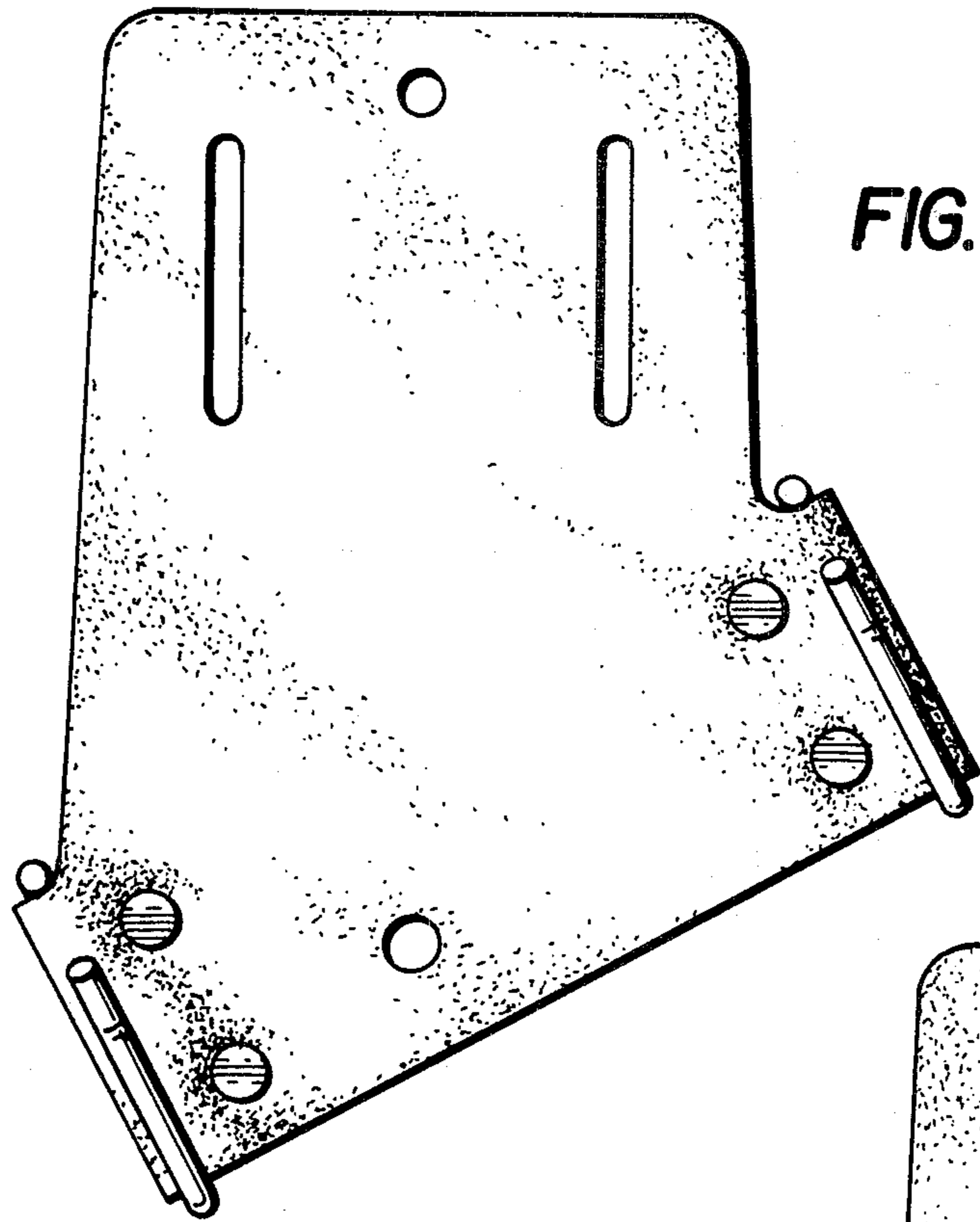


FIG. 7

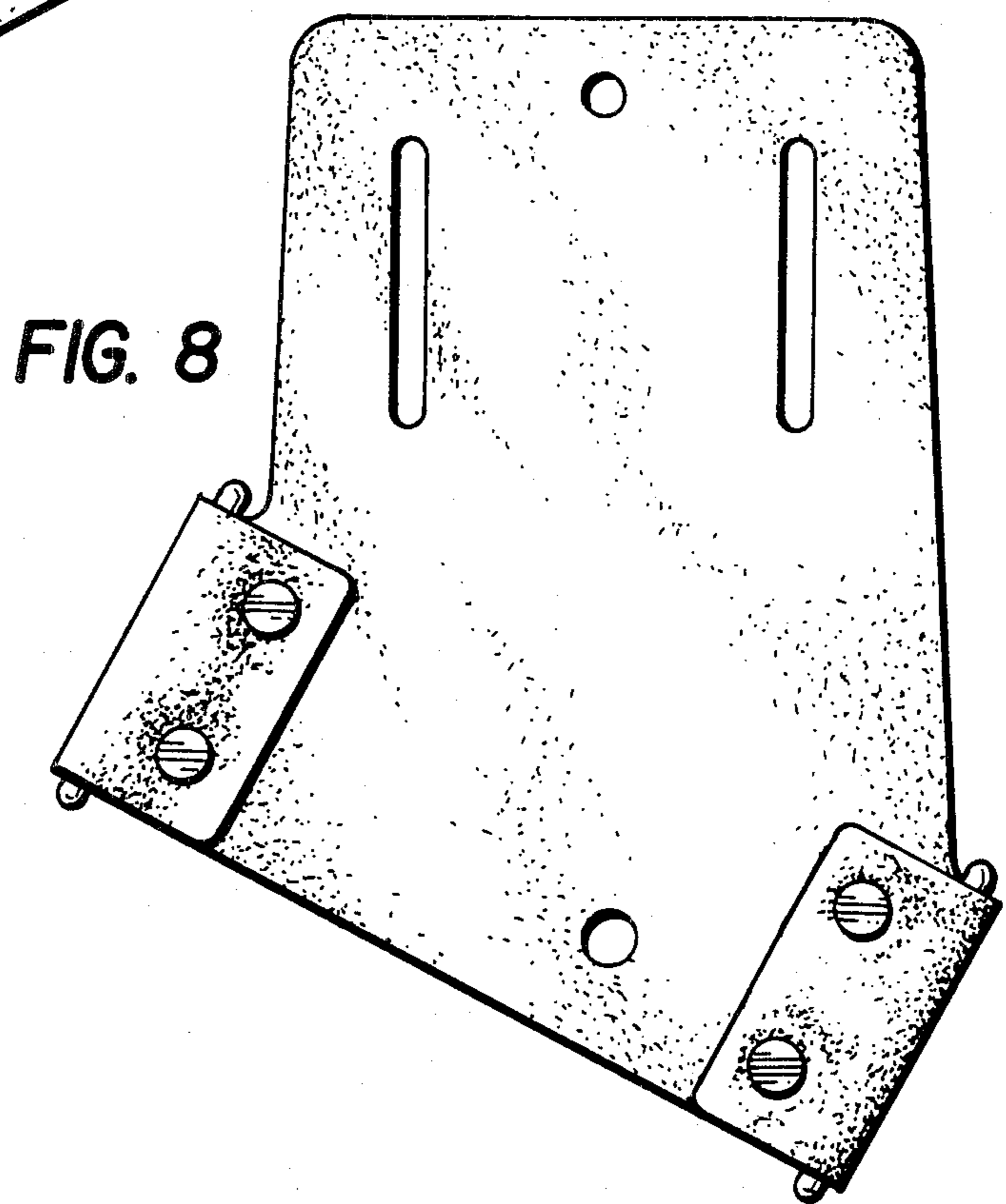


FIG. 8

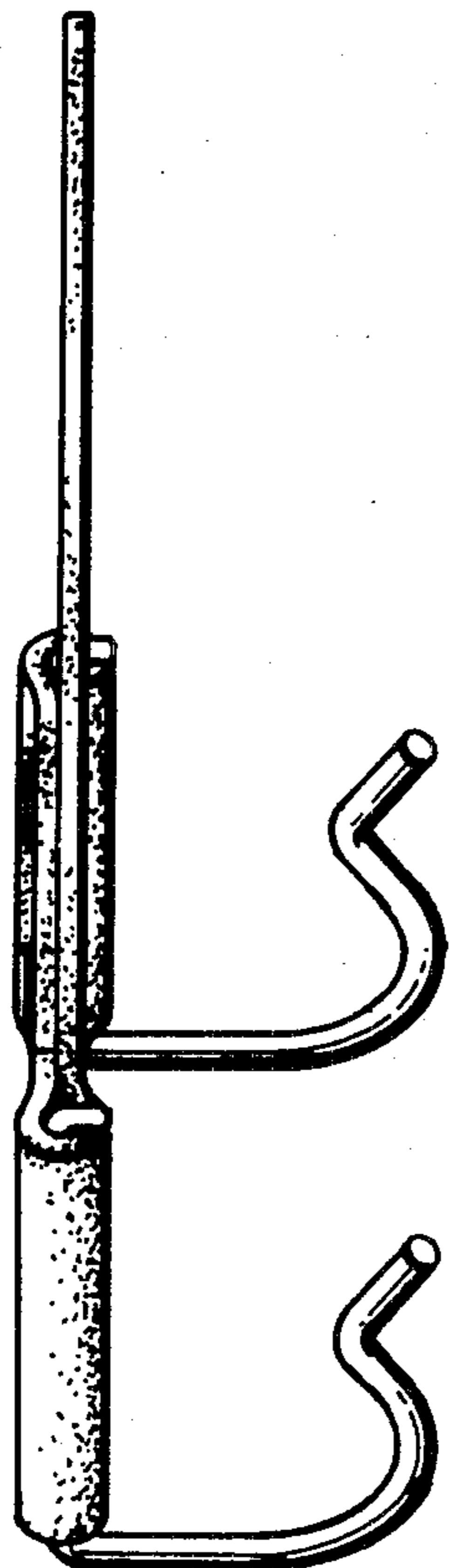


FIG. 9