

[54] UPHOLSTERY CLEANING HEAD

[76] Inventor: Robert L. Burchell, Jr., 2364 Wedekind Rd., Reno, Nev. 89512

[**] Term: 14 Years

[21] Appl. No.: 630,383

[22] Filed: Jul. 12, 1984

[52] U.S. Cl. D32/25

[58] Field of Search D32/21-22, D32/24-25, 31-33, 35; 15/40, 41 R, 41 A, 41 B, 321-322, 344, 419

[56] References Cited

U.S. PATENT DOCUMENTS

D. 196,492	10/1963	Lewis	D32/32
D. 239,243	3/1976	Hachtmann	D32/32
D. 242,211	11/1976	Parise	D32/32
D. 253,596	12/1979	Nauta	D32/32
D. 255,359	6/1980	Bartlett	D32/32

D. 264,139	4/1982	Pearman, Jr.	D32/33
D. 266,962	11/1982	Hachtmann et al.	D32/33

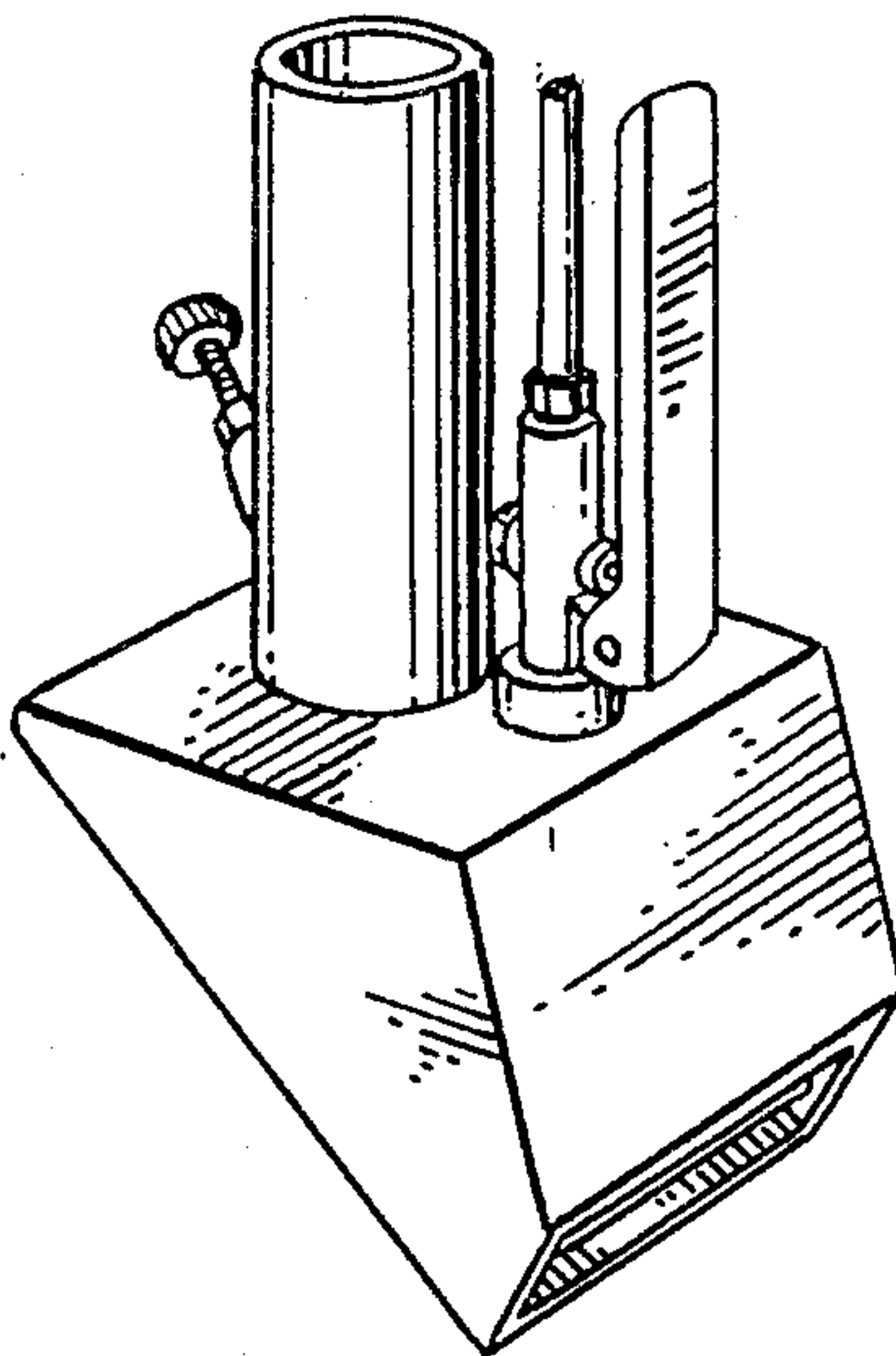
Primary Examiner—James M. Gandy
Assistant Examiner—Ruth E. Takemoto
Attorney, Agent, or Firm—Herbert C. Schulze

[57] CLAIM

The ornamental design for a upholstery cleaning head, as shown and described.

DESCRIPTION

FIG. 1 is a top, front and left perspective view of a upholstery cleaning head showing my new design; FIG. 2 is a bottom, rear and right perspective view thereof; FIG. 3 is a left side elevational view thereof; FIG. 4 is a right side elevational view thereof; FIG. 5 is a front elevational view thereof; FIG. 6 is a rear elevational view thereof; FIG. 7 is a top plan view thereof; and FIG. 8 is a bottom plan view thereof.



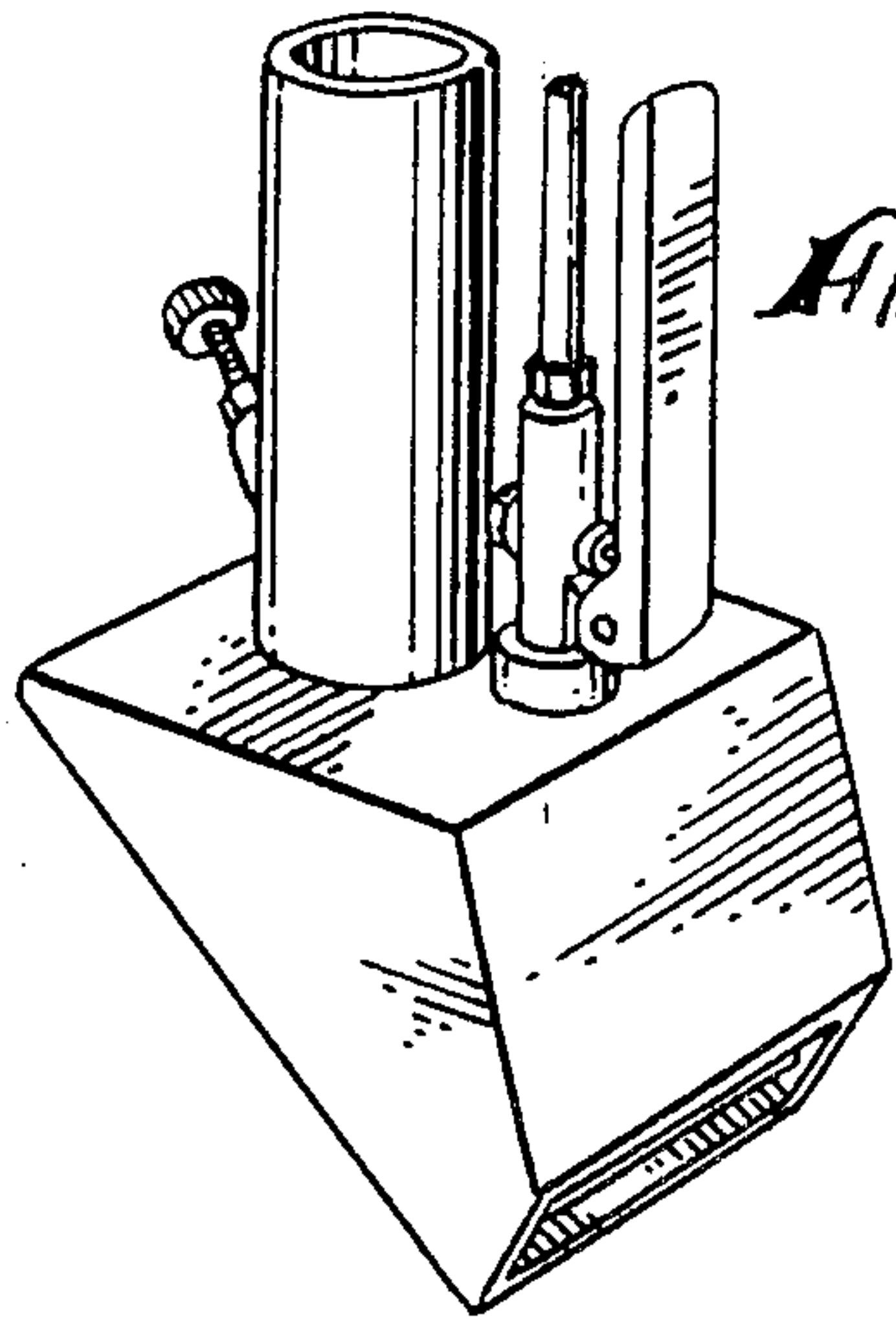


FIG. 1.

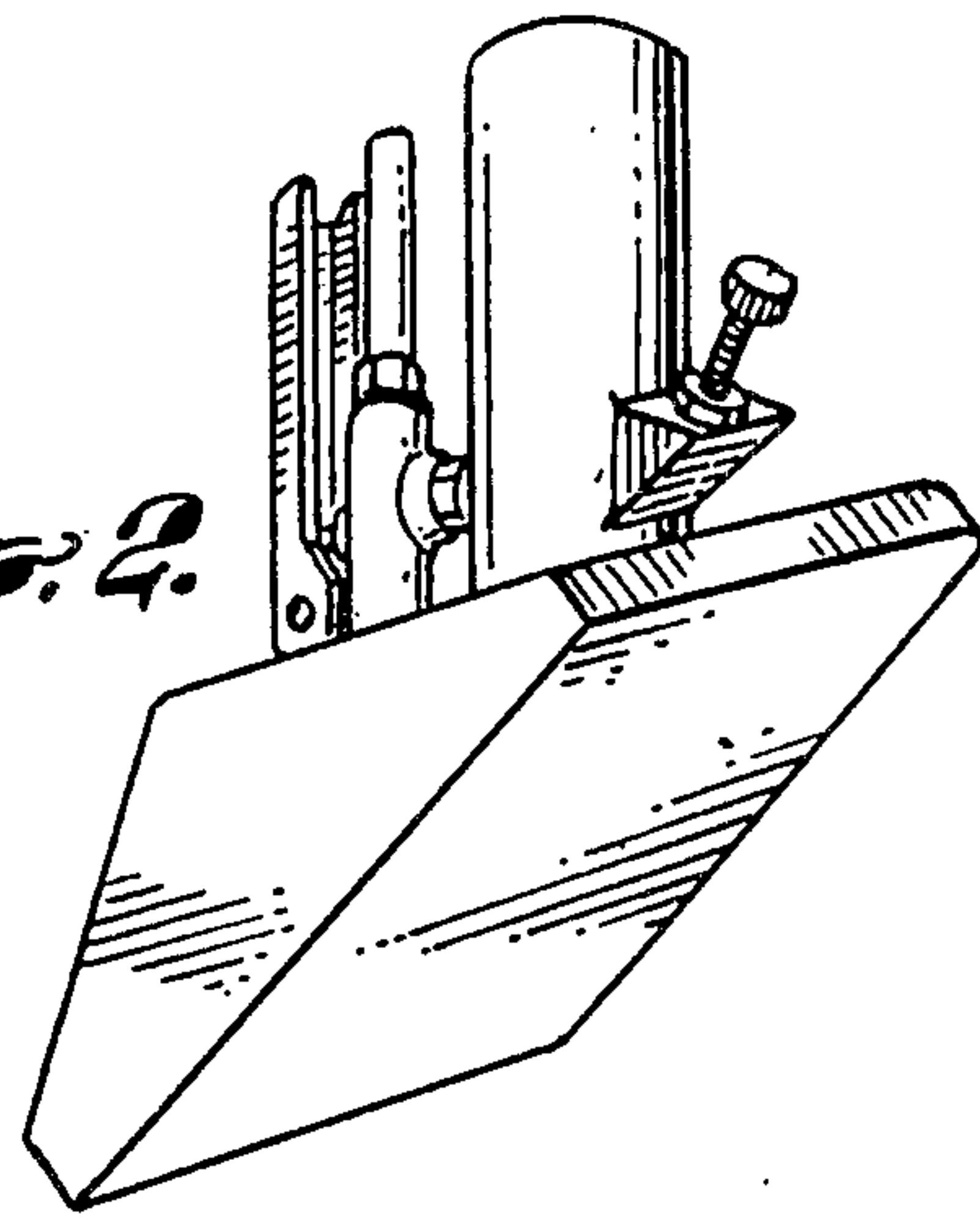


FIG. 2.

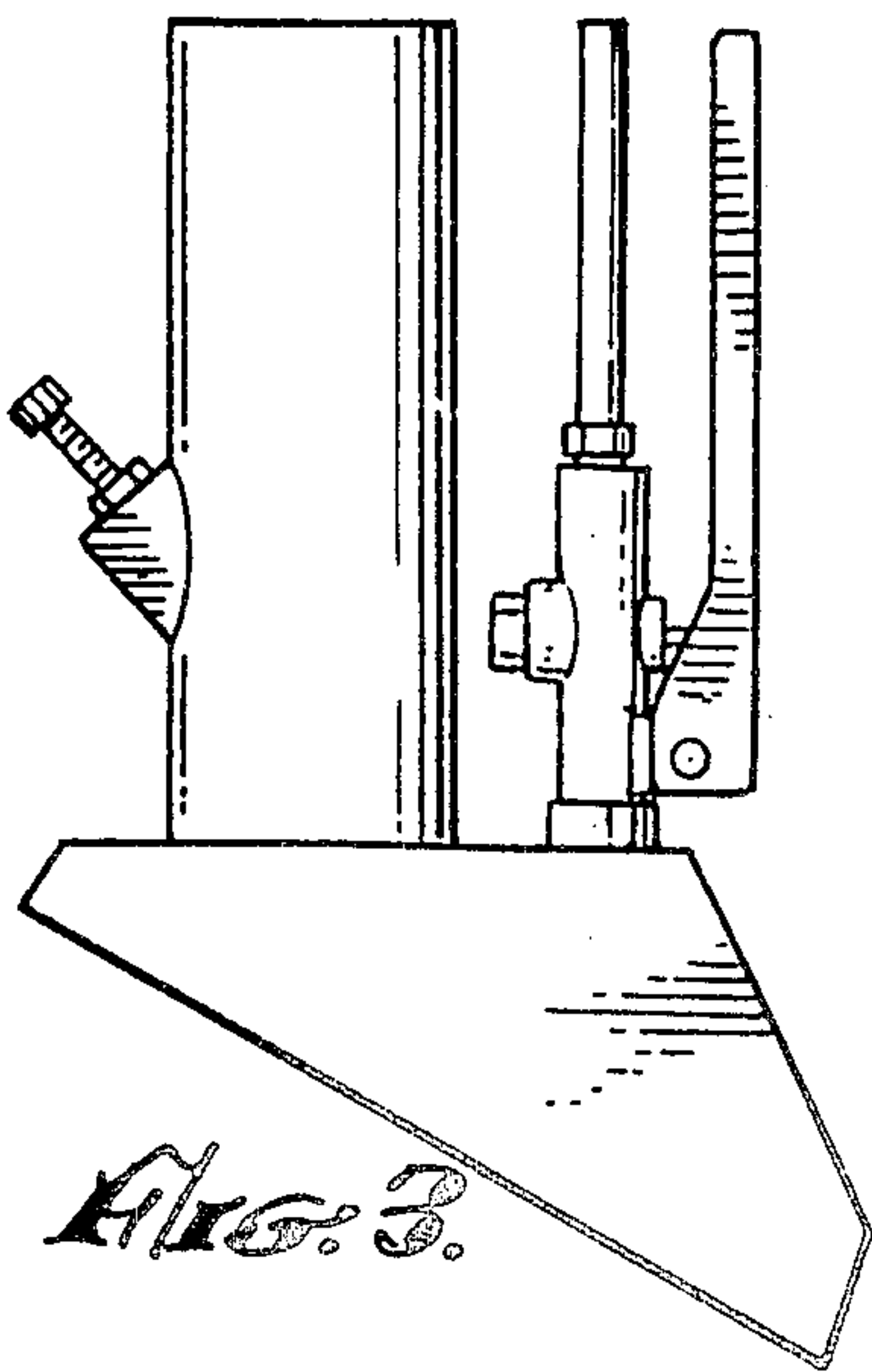


FIG. 3.

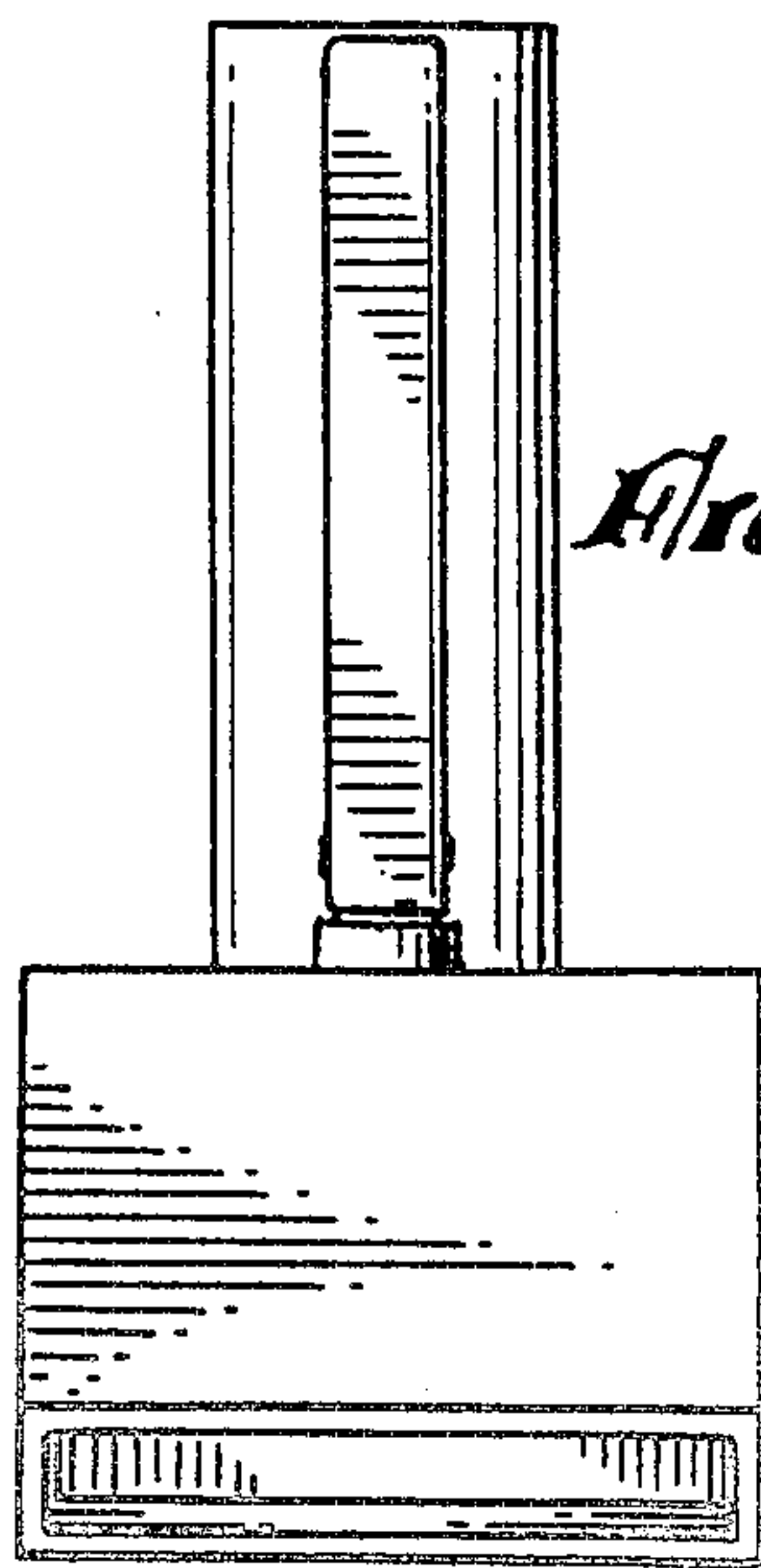


FIG. 5.

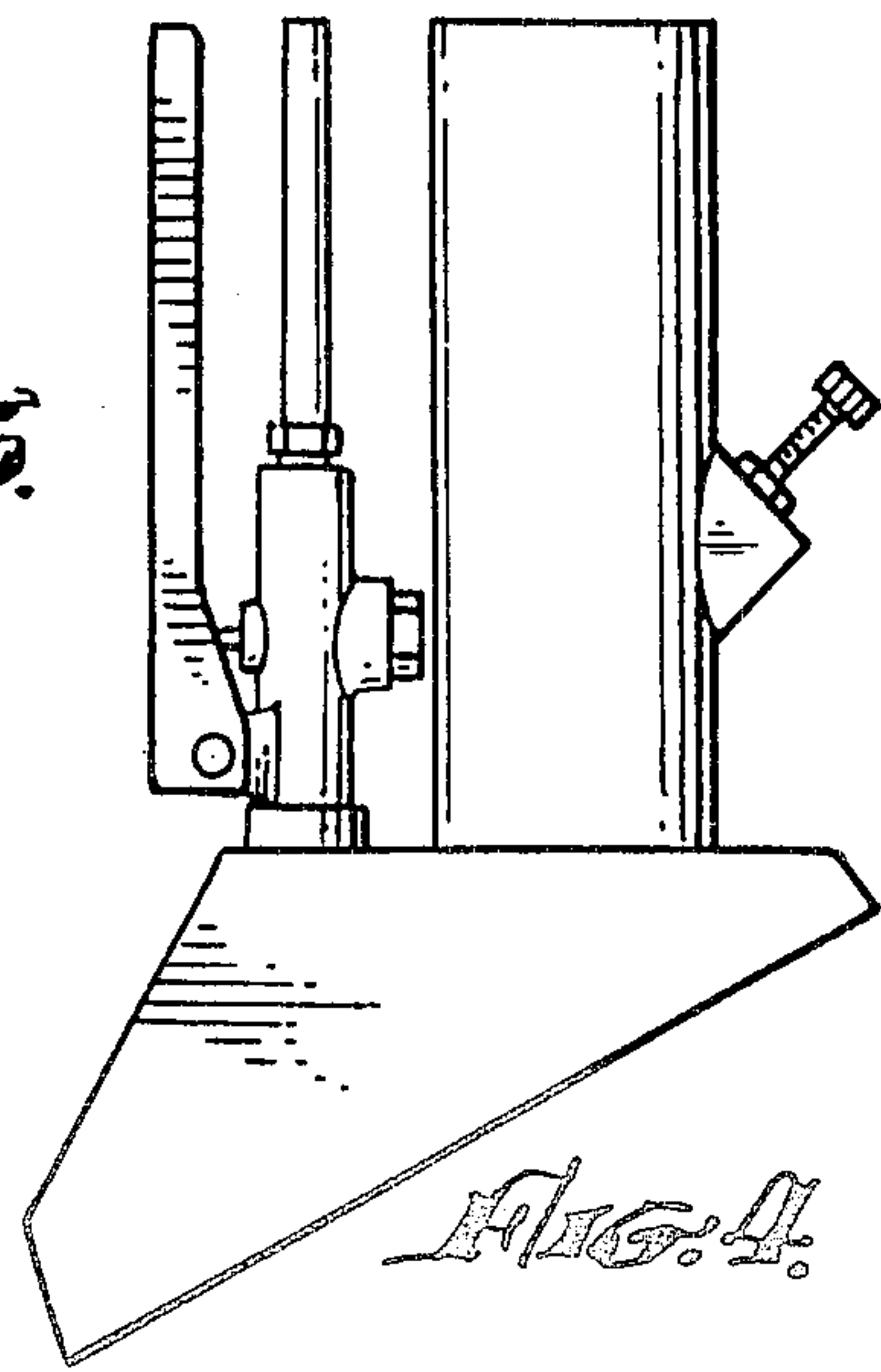


FIG. 4.

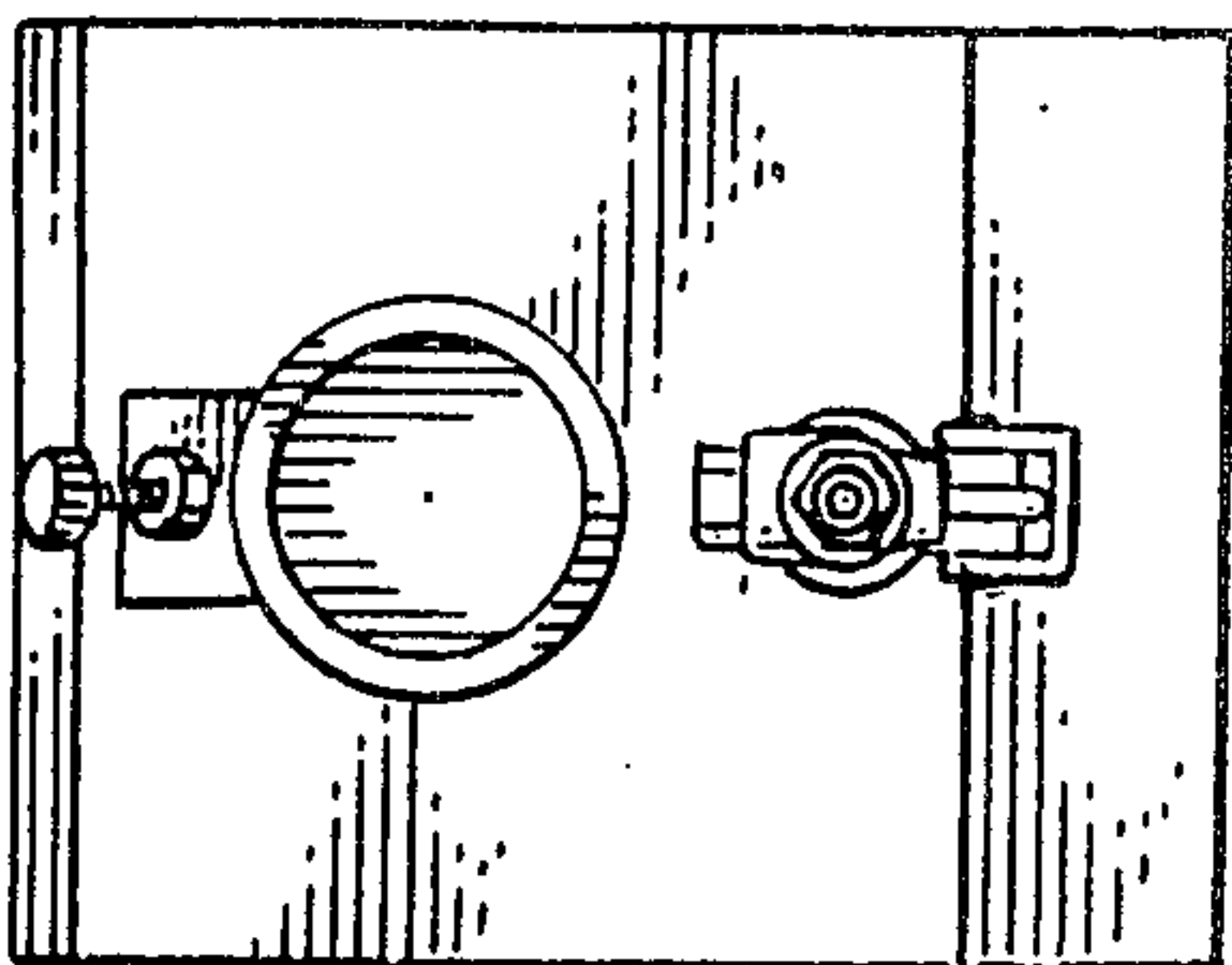


FIG. 7.

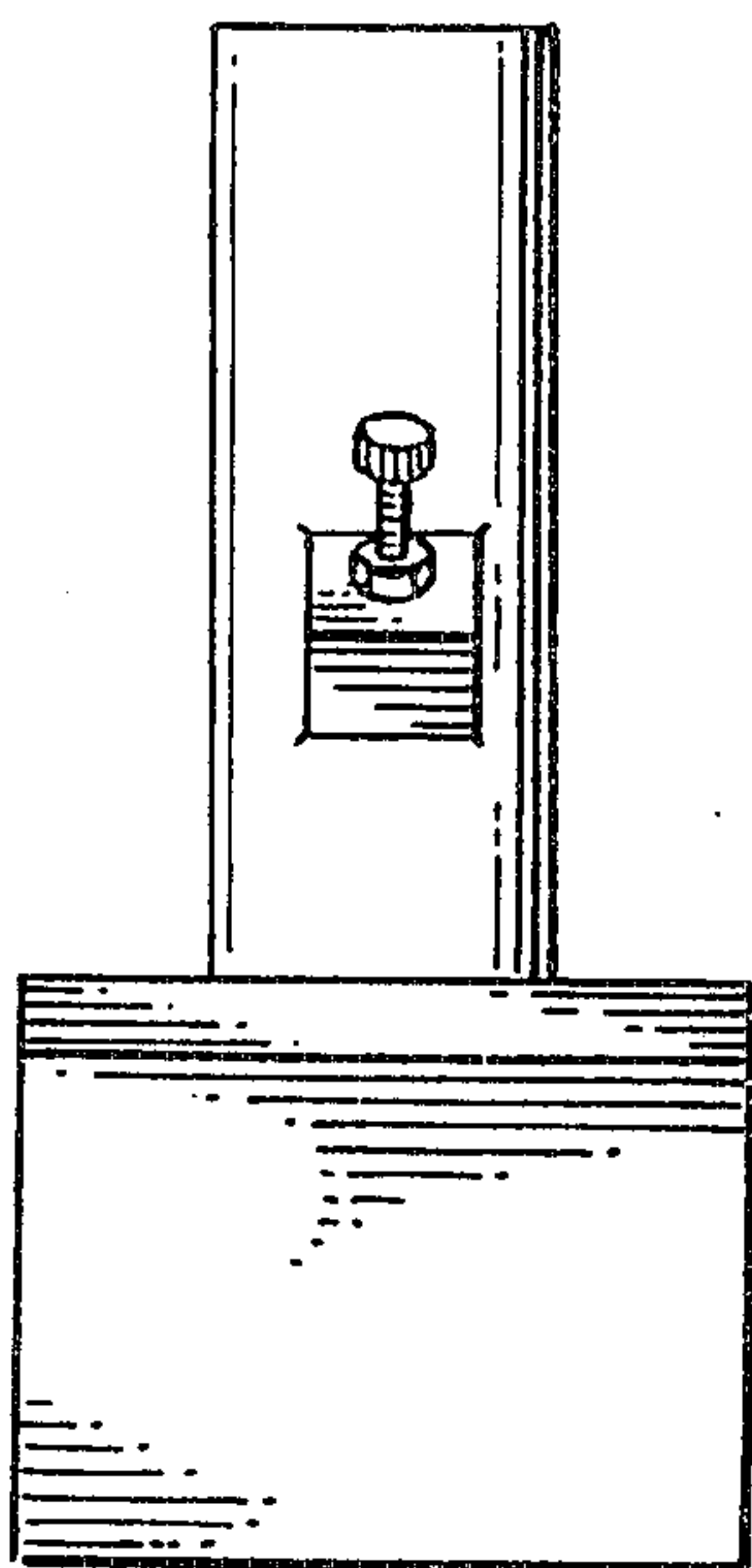


FIG. 6.

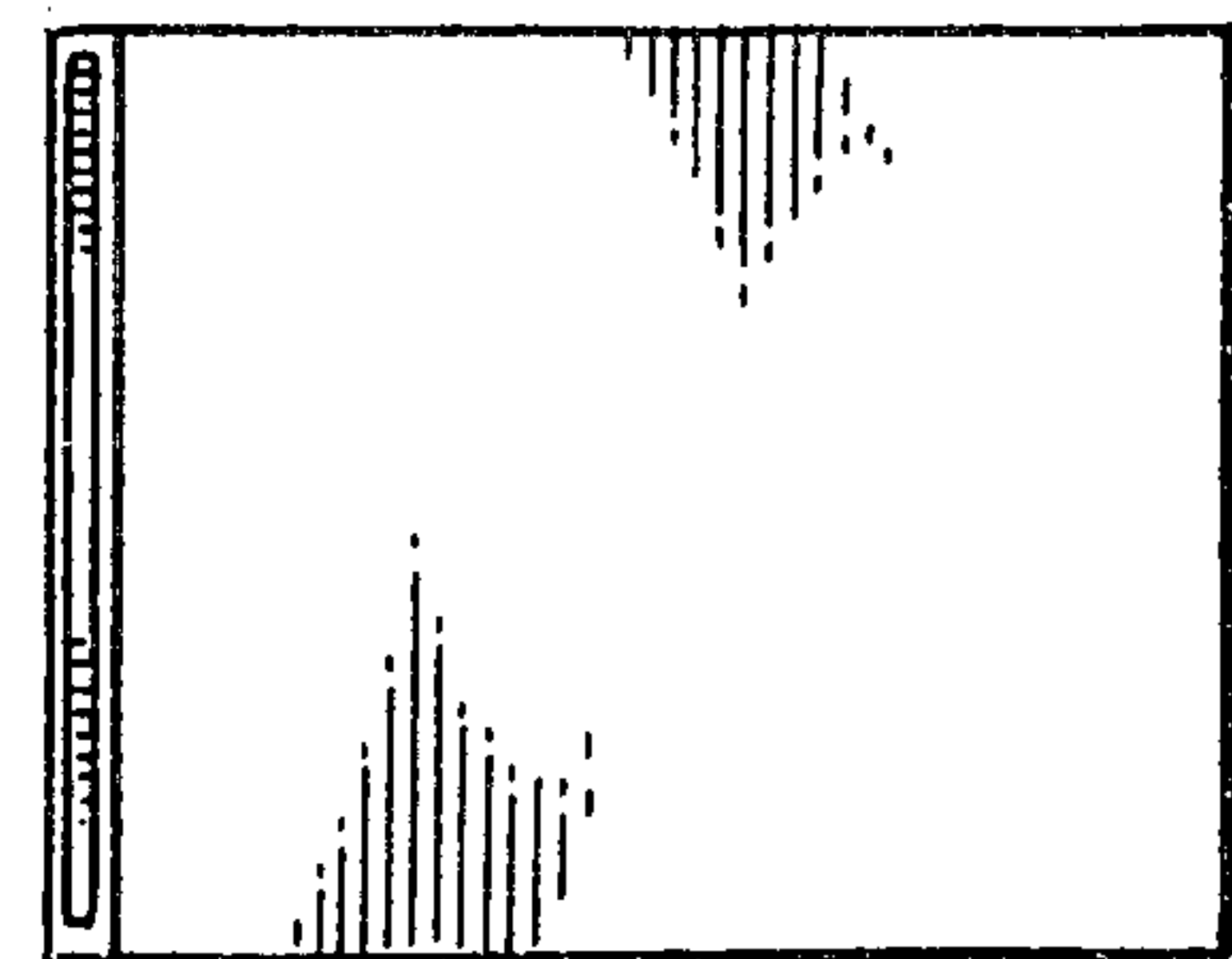


FIG. 8.