

[54] BUILDING

D. 278,176 3/1985 Root D99/28
3,044,129 7/1962 Bigelow D25/26 X

[75] Inventors: Joseph C. League, Jr.; Brian H. Terrell; Henri V. Jova, all of Atlanta, Ga.

Primary Examiner—A. Hugo Word

[73] Assignee: Bank South Corporation, Atlanta, Ga.

[57] CLAIM

The ornamental design for a building, as shown and described.

[**] Term: 14 Years

DESCRIPTION

[21] Appl. No.: 610,614

FIG. 1 is a perspective view showing the front and right side of the building;

[22] Filed: May 15, 1984

FIG. 2 is a front elevational view of the building shown in FIG. 1;

[52] U.S. Cl. D25/26; D25/1

FIG. 3 is an elevational view of the left side of the building of FIG. 1;

[58] Field of Search D25/1, 26, 10, 22, 23, D25/24, 25, 32, 33, 56; D99/28, 41

FIG. 4 is an elevational view of the rear of the building of FIG. 1;

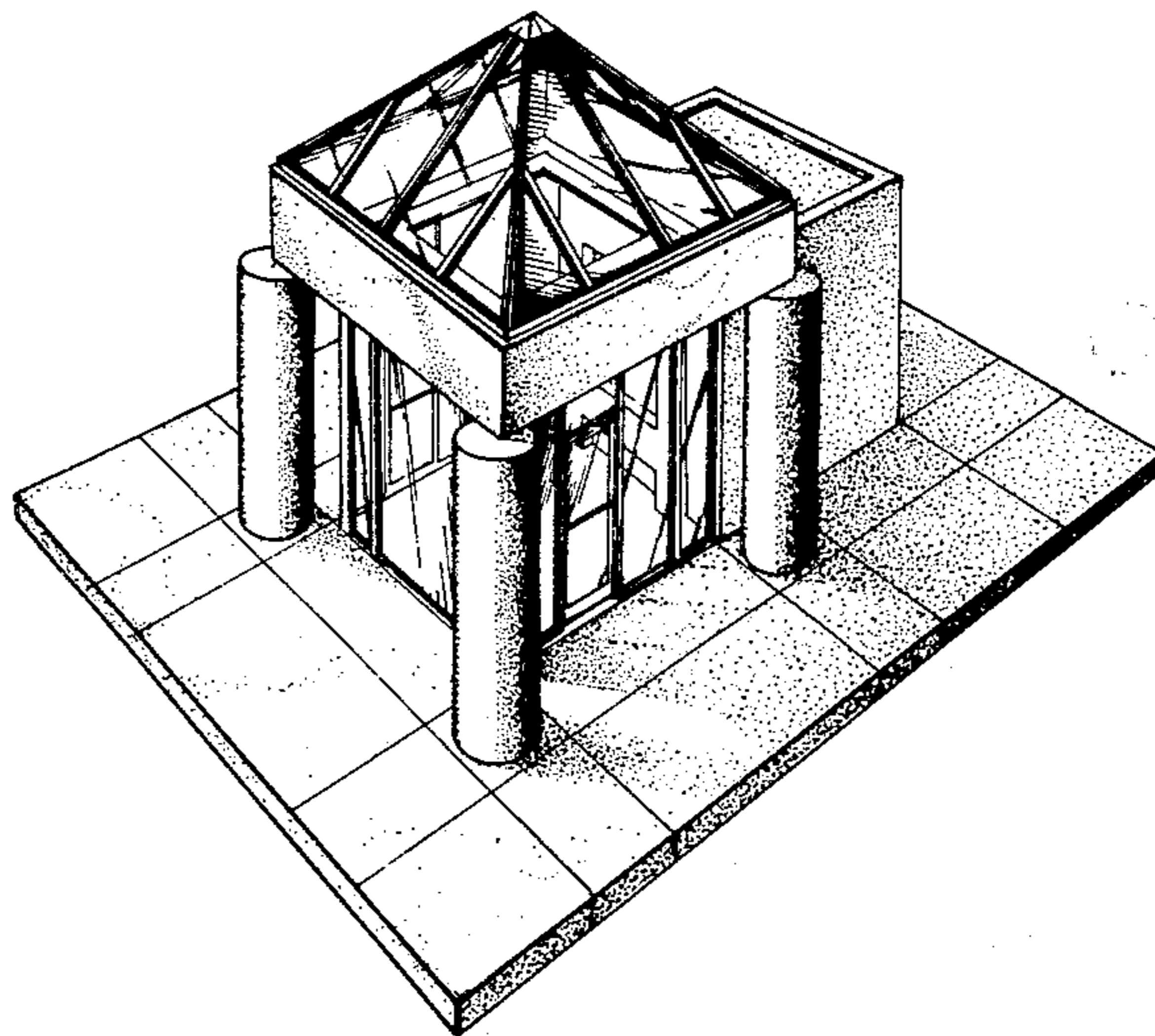
[56] References Cited

U.S. PATENT DOCUMENTS

D. 255,269 6/1980 McAllister et al. D25/22 X
D. 273,618 4/1984 Elliott D25/1

FIG. 5 is a top plan view of the building shown in FIG. 1; and

FIG. 6 is a section taken through line 6—6 of FIG. 5.



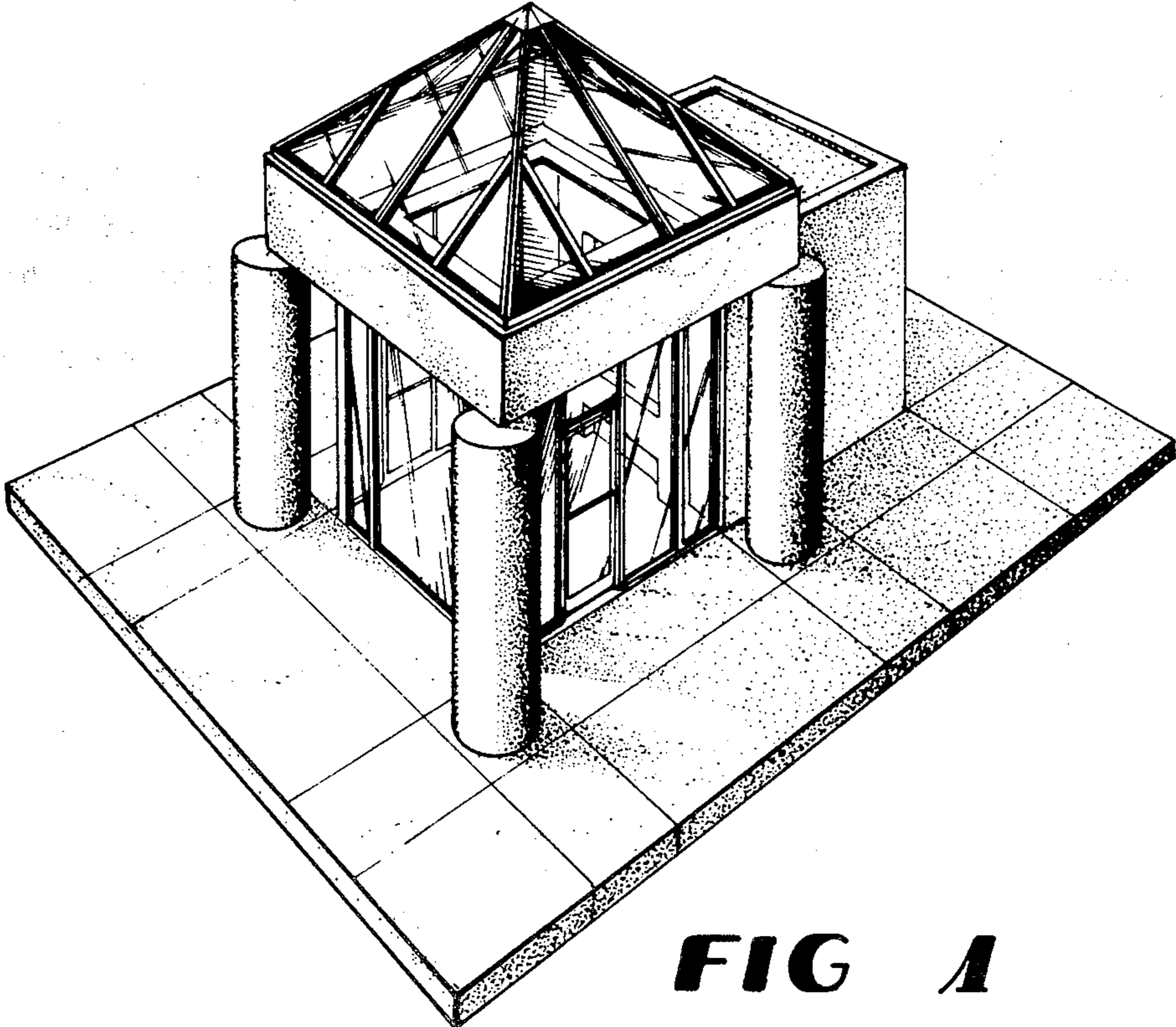


FIG 1

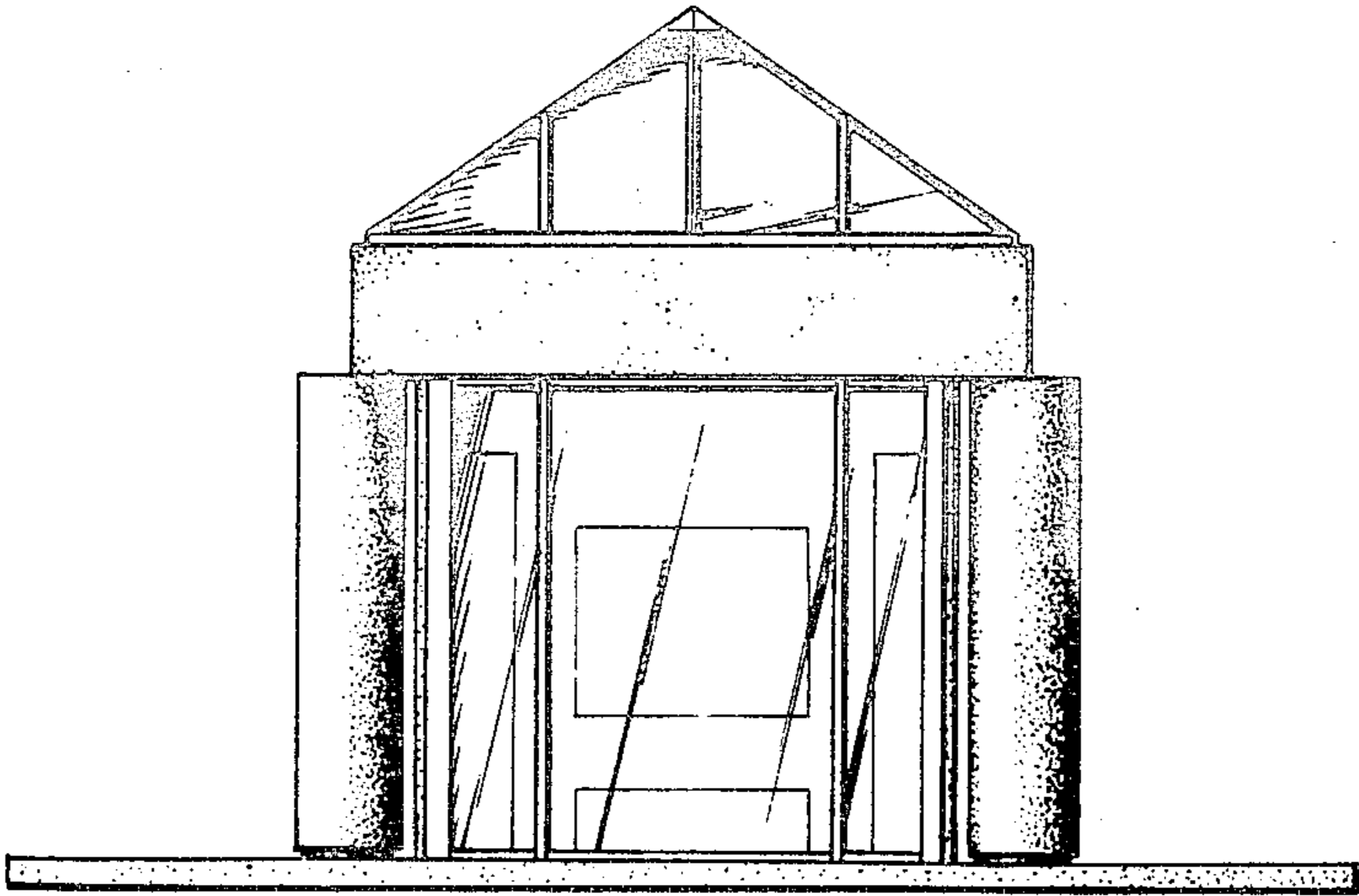


FIG 2

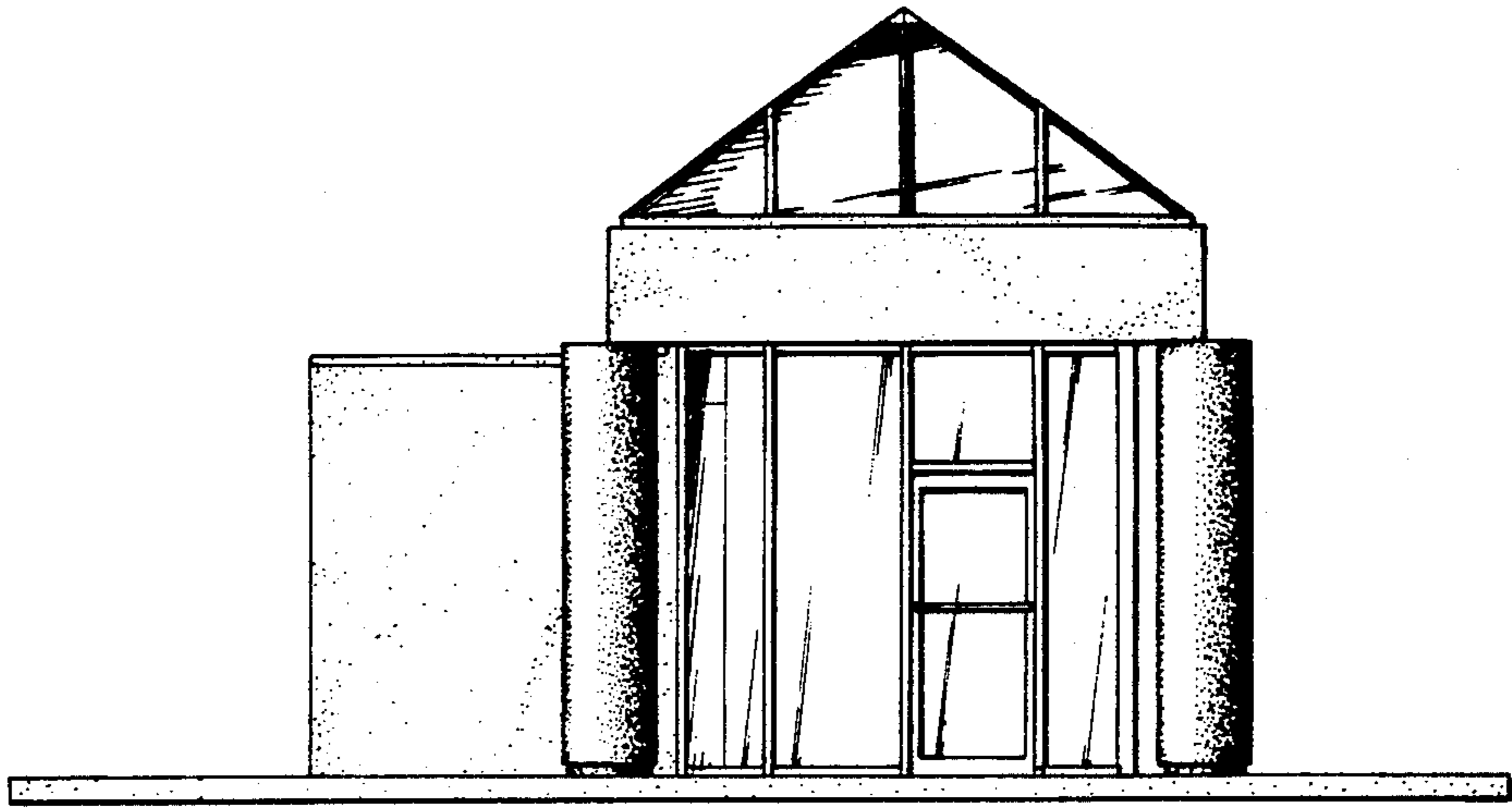


FIG 3

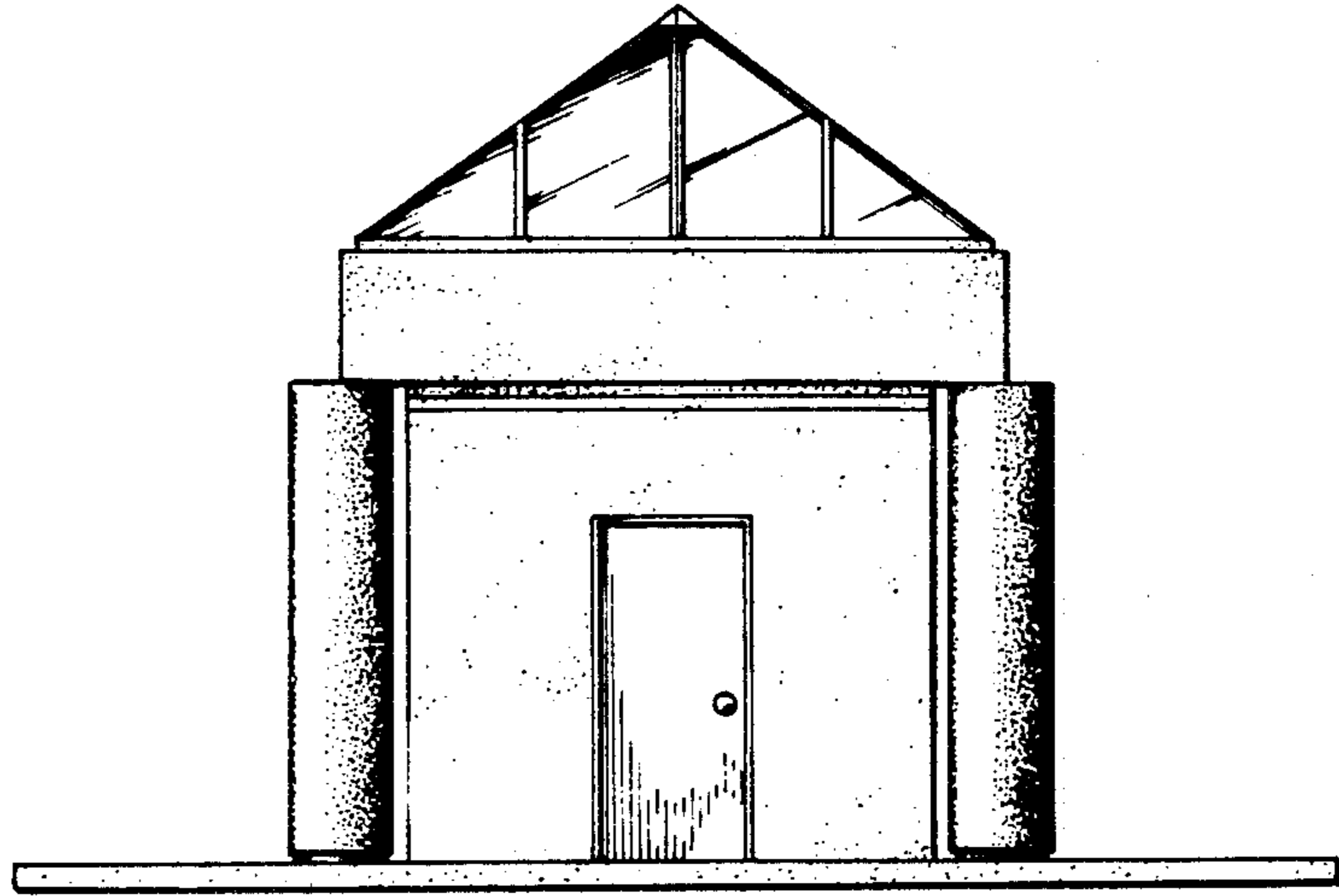


FIG 4

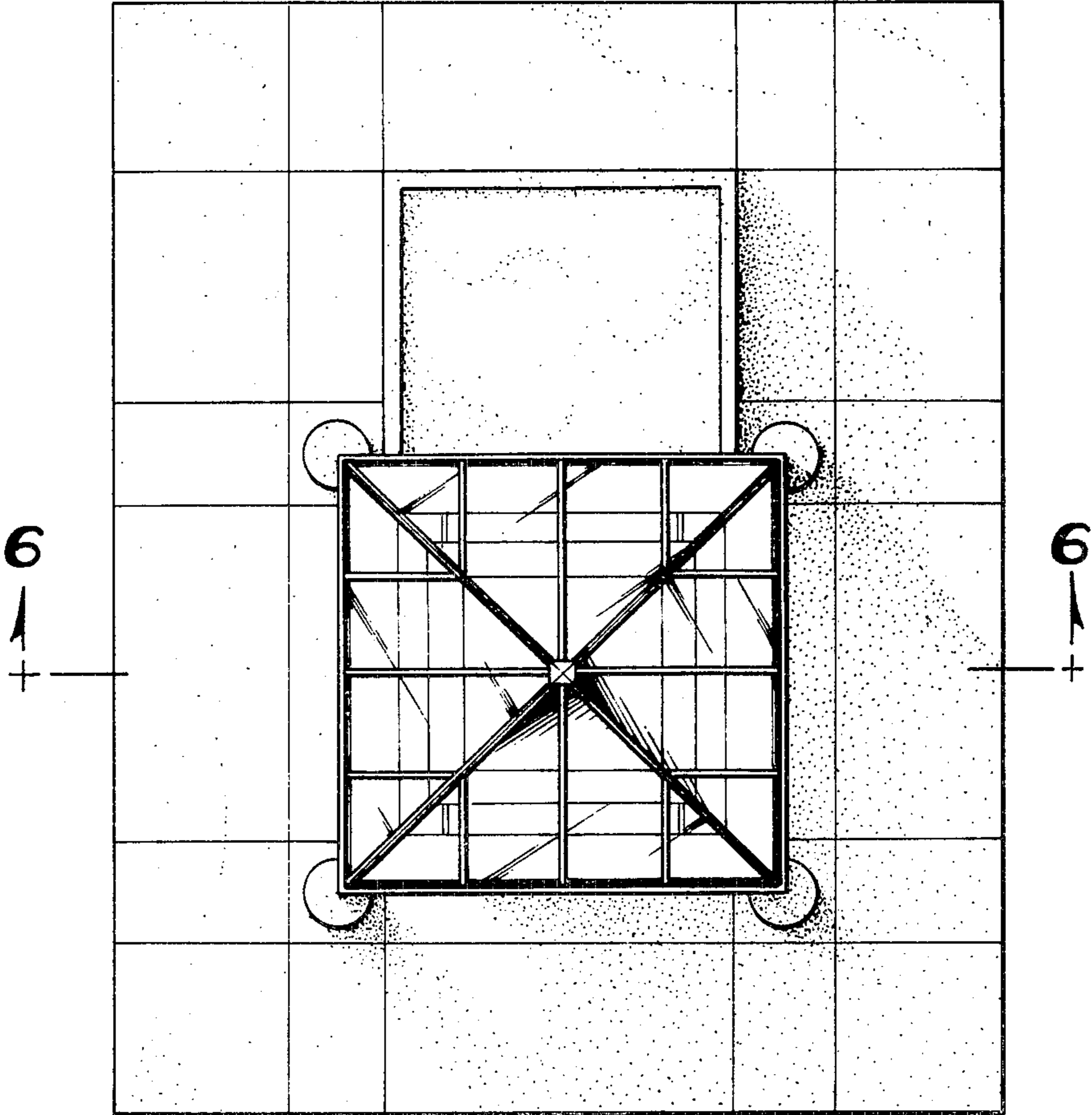


FIG 5

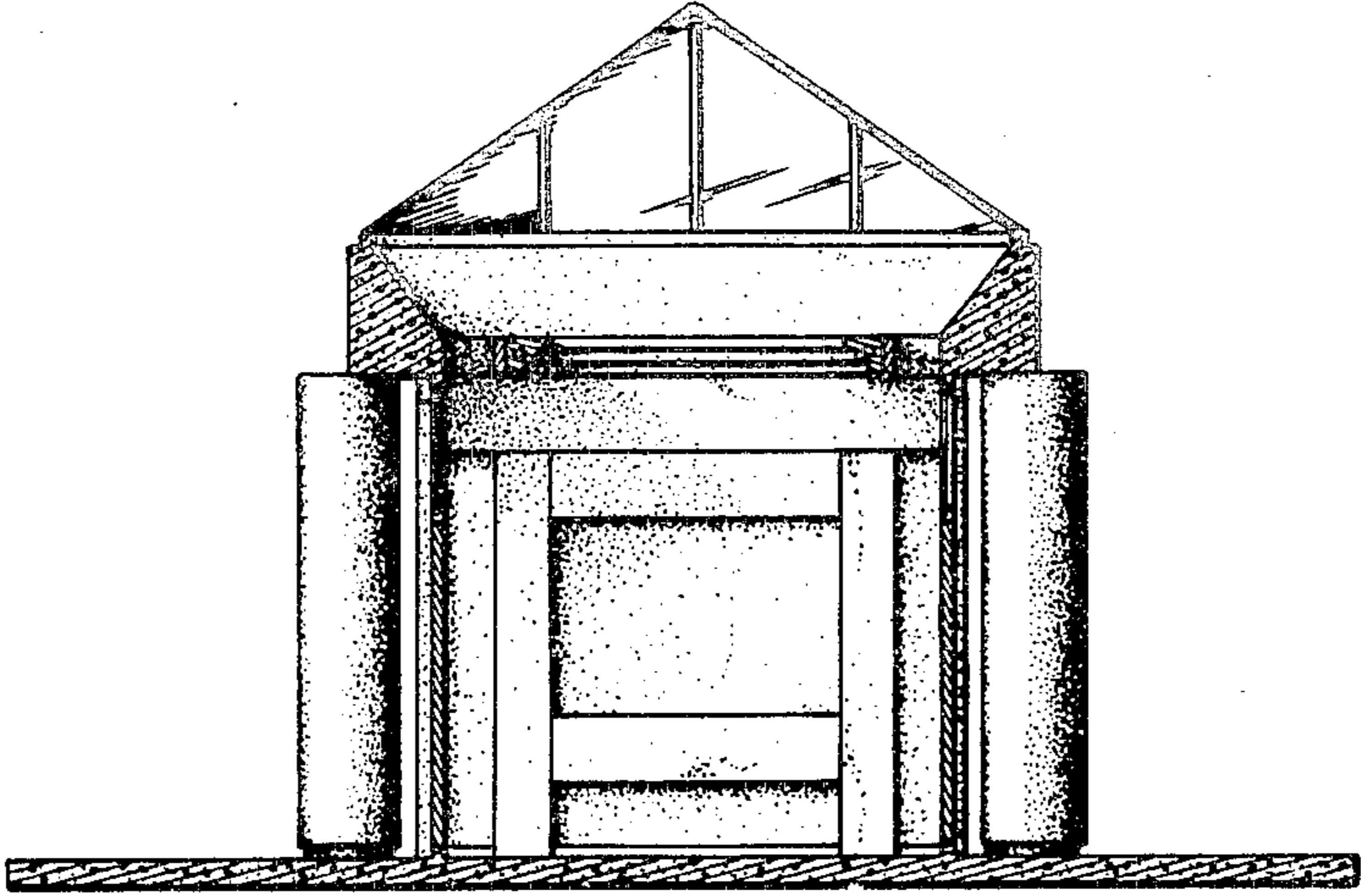


FIG 6