

[54] MICROTITER WELL HOLDER

[75] Inventors: Scott E. Winston, Fort Collins, Colo.;
Wai S. Ma, Vista, Calif.

[73] Assignee: TechAmerica Group, Inc., Elwood,
Kans.

[**] Term: 14 Years

[21] Appl. No.: 596,127

[22] Filed: Apr. 2, 1984

[52] U.S. Cl. D24/31

[58] Field of Search D24/8, 29, 31, 32, 99;
211/71-74; 422/72, 73; 435/284, 385, 296, 297,
298, 300, 301; 356/244, 246; 250/576

[56] References Cited

U.S. PATENT DOCUMENTS

D. 265,124 6/1982 Terk D24/31 X

D. 266,589 10/1982 Gilford et al. D24/31
D. 269,702 7/1983 Souvaniemi et al. D24/32 X

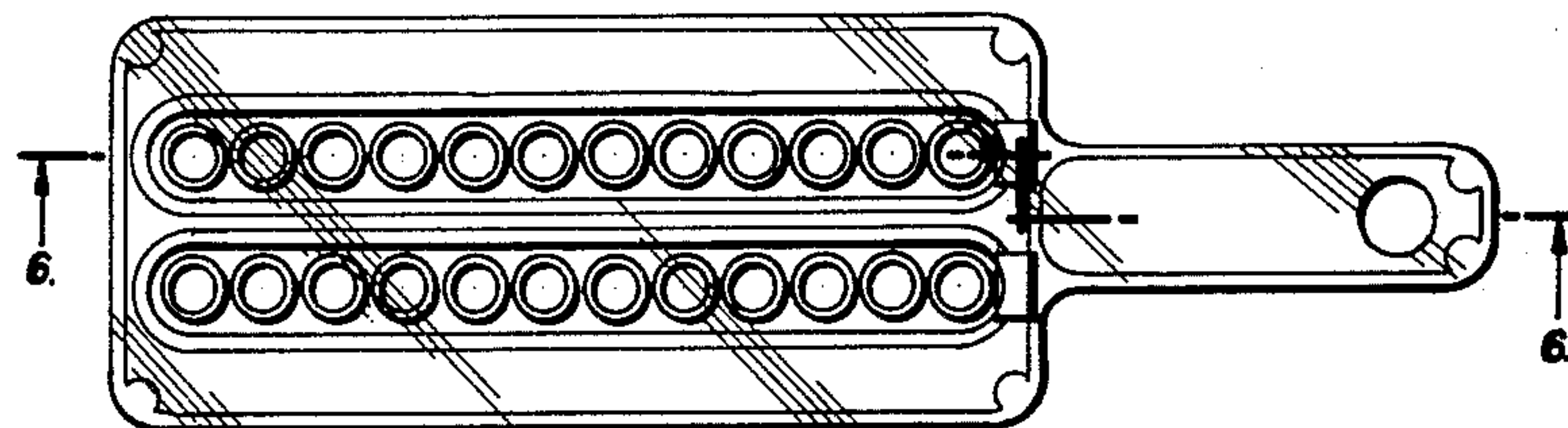
Primary Examiner—Catherine E. Kemper
Attorney, Agent, or Firm—John E. Benoit

[57] CLAIM

The ornamental design for microtiter well holder, as shown.

DESCRIPTION

FIG. 1 is a top plan view of a microtiter well holder, showing our new design;
FIG. 2 is a bottom plan view thereof;
FIG. 3 is a side elevational view thereof;
FIG. 4 is a front end elevational view thereof;
FIG. 5 is a rear end elevational view thereof;
FIG. 6 is a sectional view taken along line 6—6 of FIG. 1.
The opposite side view is a mirror image of FIG. 3.



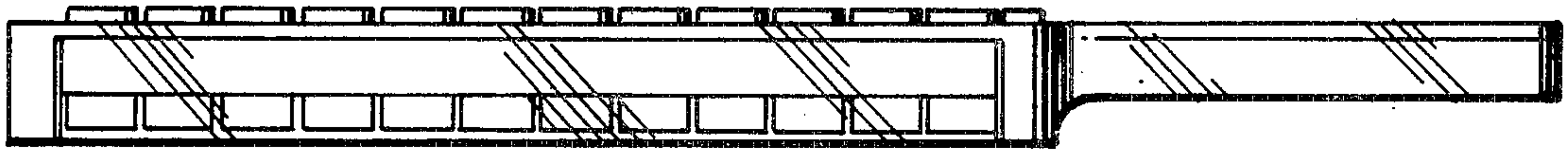
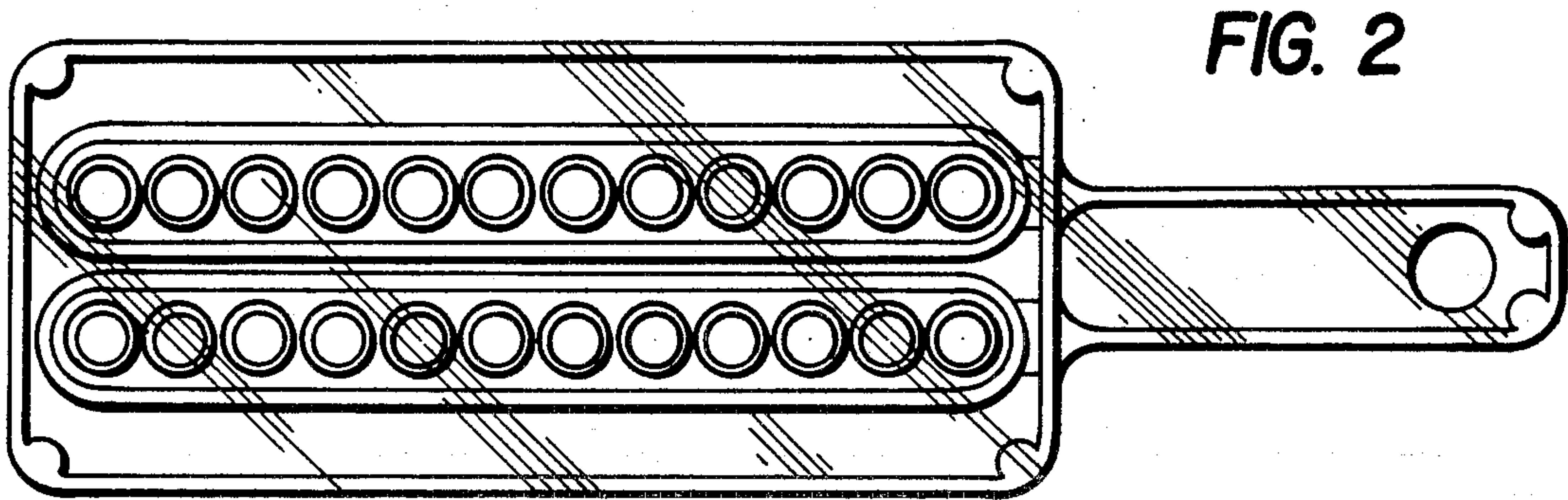
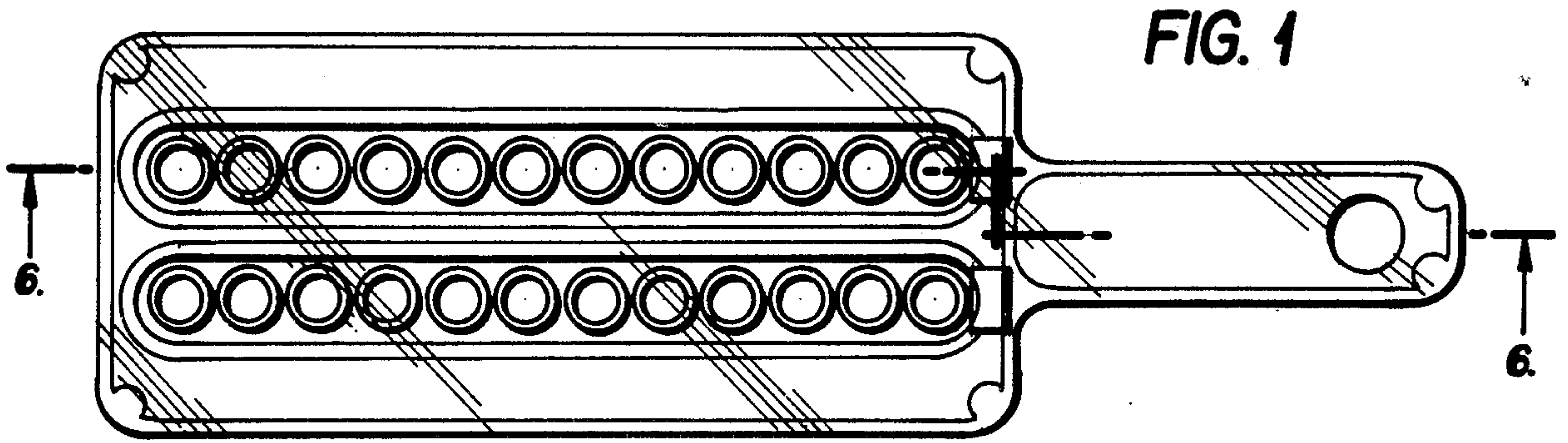


FIG. 4

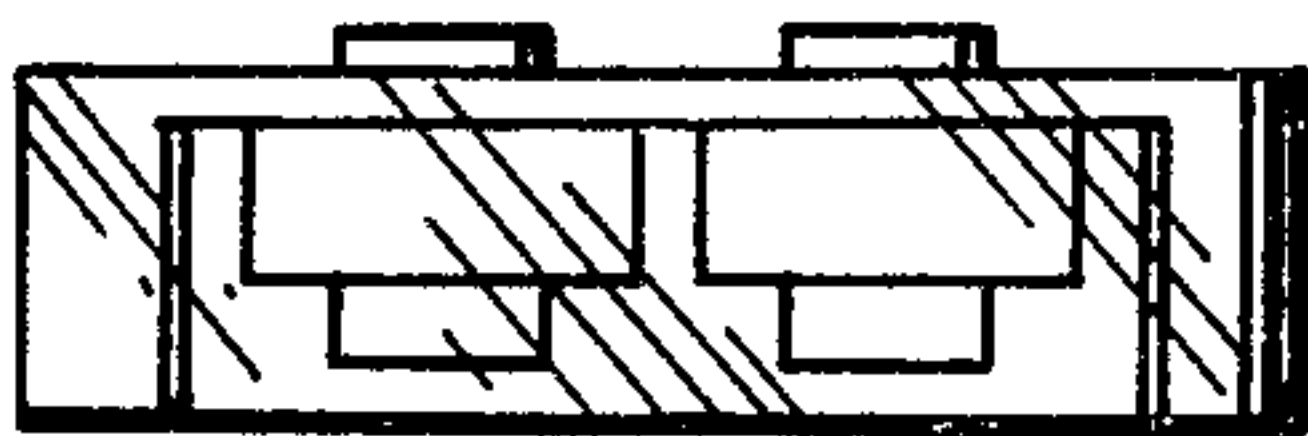


FIG. 5



FIG. 6

