

[54] COMBINED DETECTOR AND RECORDER OF BODY THERMAL EMISSIVITY

[75] Inventor: George T. Brown, Jr., Dayton, Ohio

[73] Assignee: American Thermometer Co., Inc., Dayton, Ohio

[\*\*] Term: 14 Years

[21] Appl. No.: 631,143

[22] Filed: Jul. 16, 1984

[52] U.S. Cl. .... D24/17

[58] Field of Search ..... D24/17, 8, 23, 2; 128/736; 354/293; 252/32.7 E; D10/46, 57; D16/14

[56] References Cited

U.S. PATENT DOCUMENTS

- D. 247,251 2/1978 Napoli ..... D24/17
- D. 269,810 7/1983 Mace et al. .... D24/17
- 3,918,810 11/1975 Cohen ..... 355/18

- 4,135,497 1/1979 Meyers et al. .... 128/736
- 4,358,189 11/1982 Nylander ..... 354/293 X

Primary Examiner—A. Hugo Word  
Assistant Examiner—Stella M. Reid  
Attorney, Agent, or Firm—Jacox & Meckstroth

[57] CLAIM

The ornamental design for a combined detector and recorder of body thermal emissivity, substantially as shown and described.

DESCRIPTION

FIG. 1 is a perspective view of a combined detector and recorder of body thermal emissivity showing my new design;

FIG. 2 is a front elevational view thereof;

FIG. 3 is a rear elevational view thereof;

FIG. 4 is a side elevational view thereof, the opposite side being a mirror image;

FIG. 5 is a top plan view thereof; and

FIG. 6 is a bottom plan view thereof.

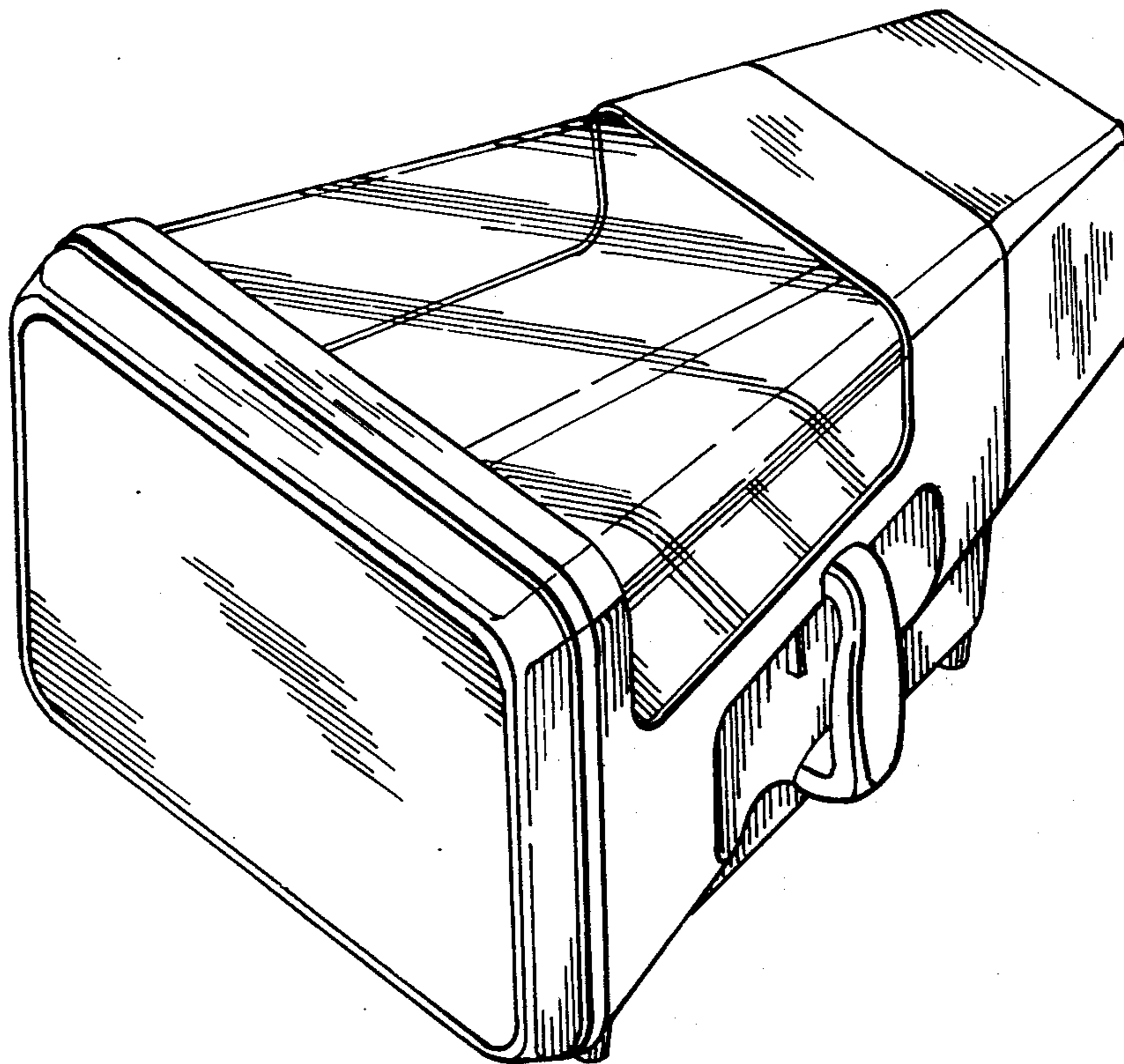


FIG-1

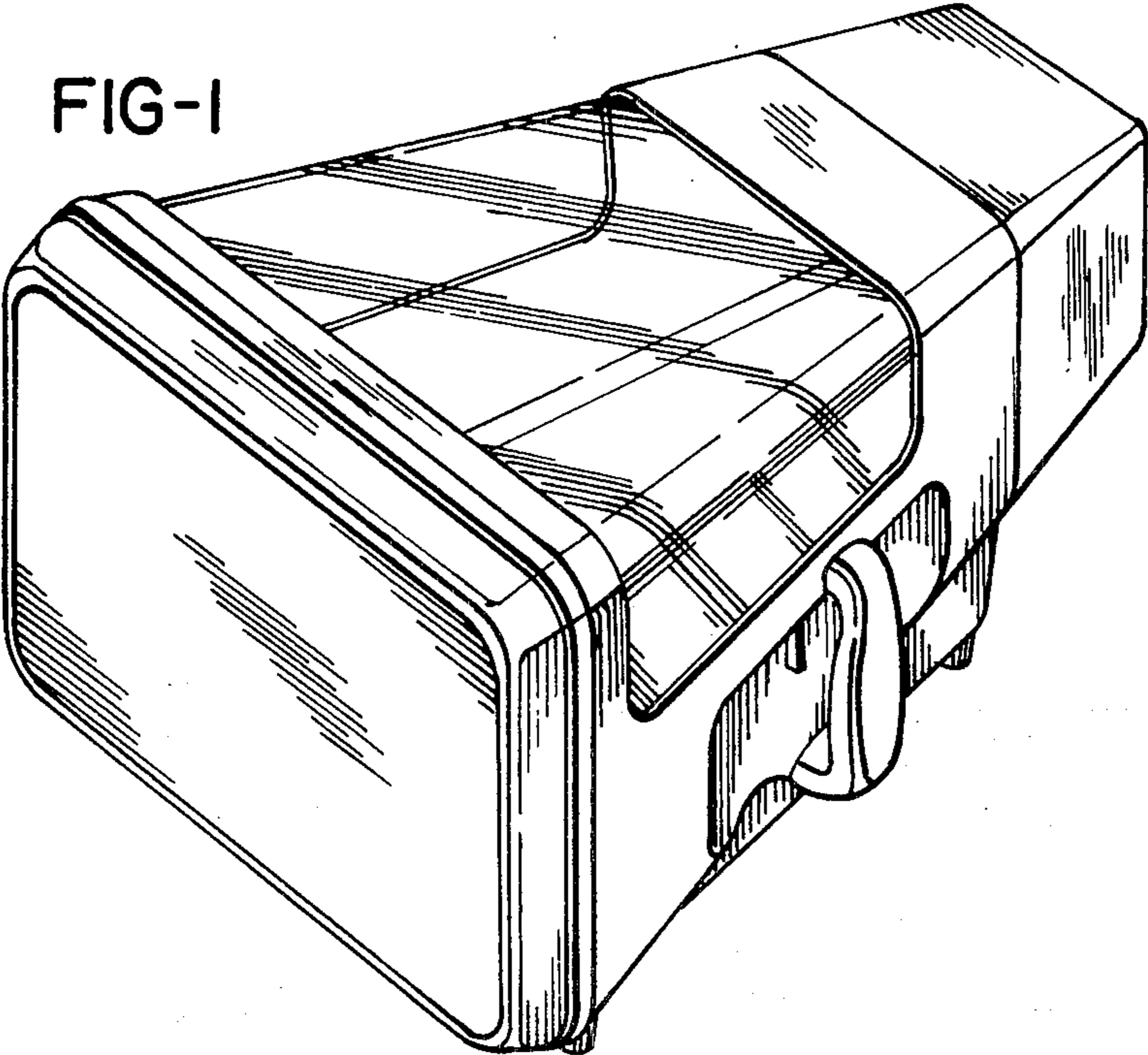


FIG-2

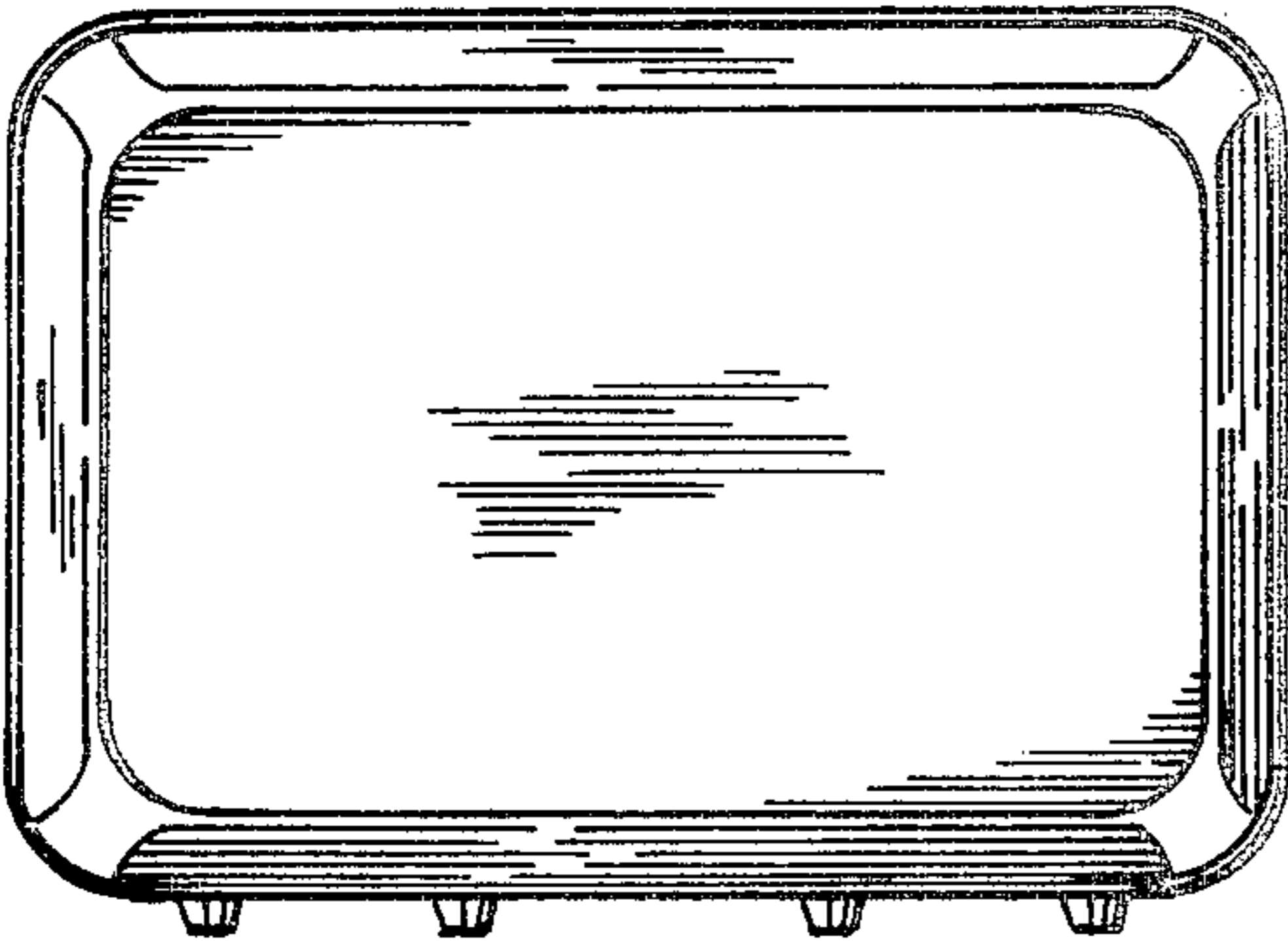


FIG-3

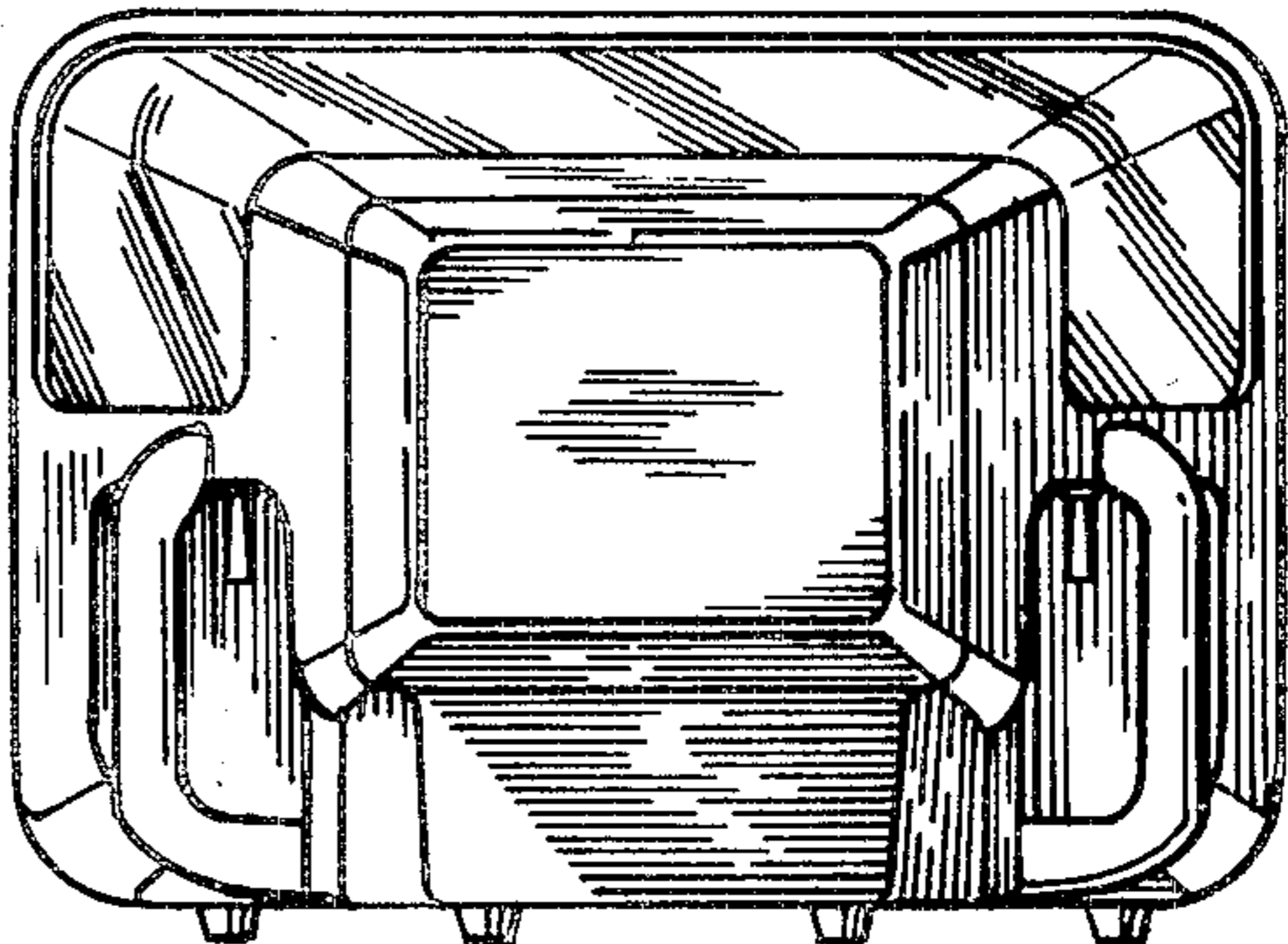


FIG-4

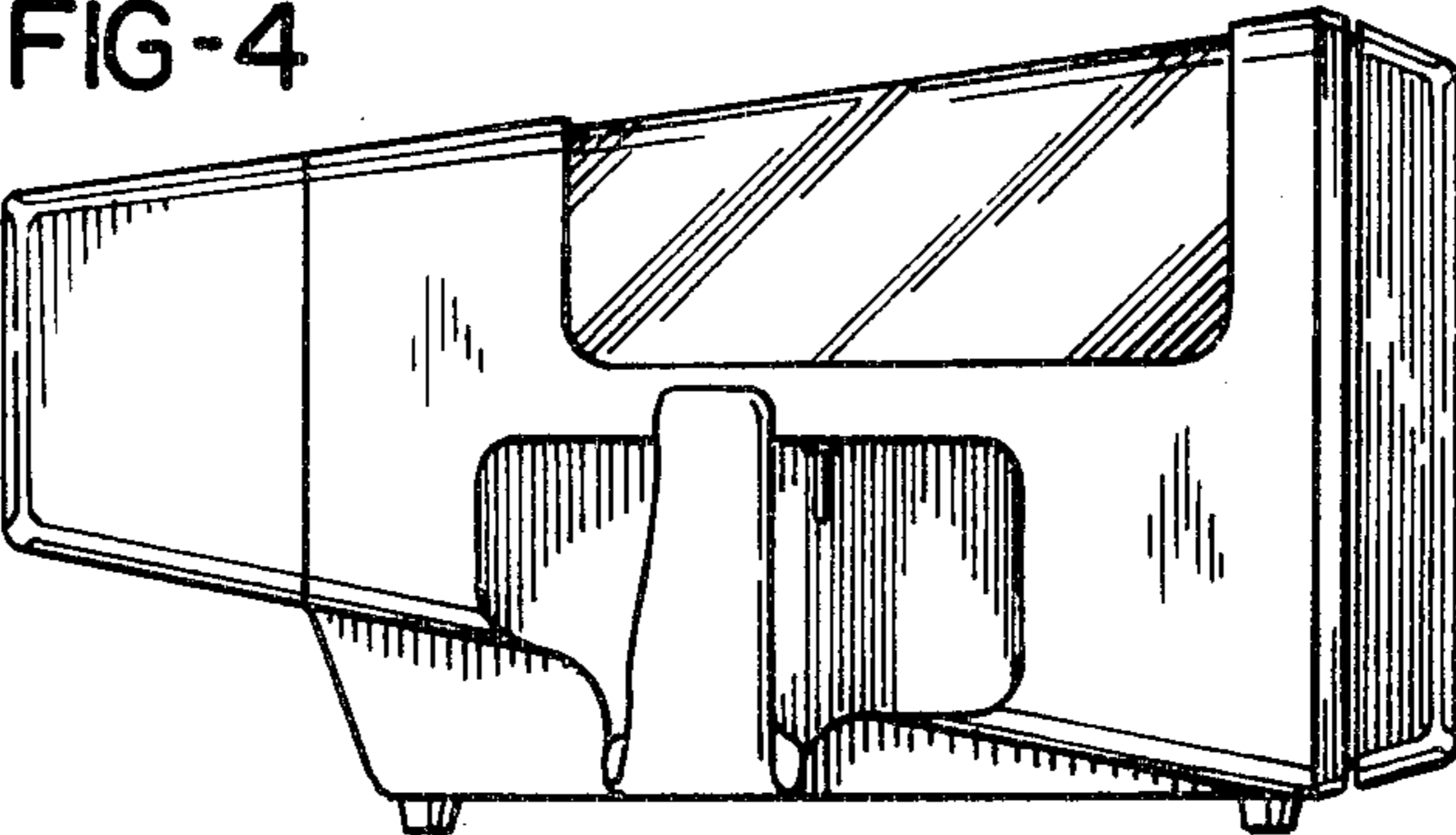


FIG-5

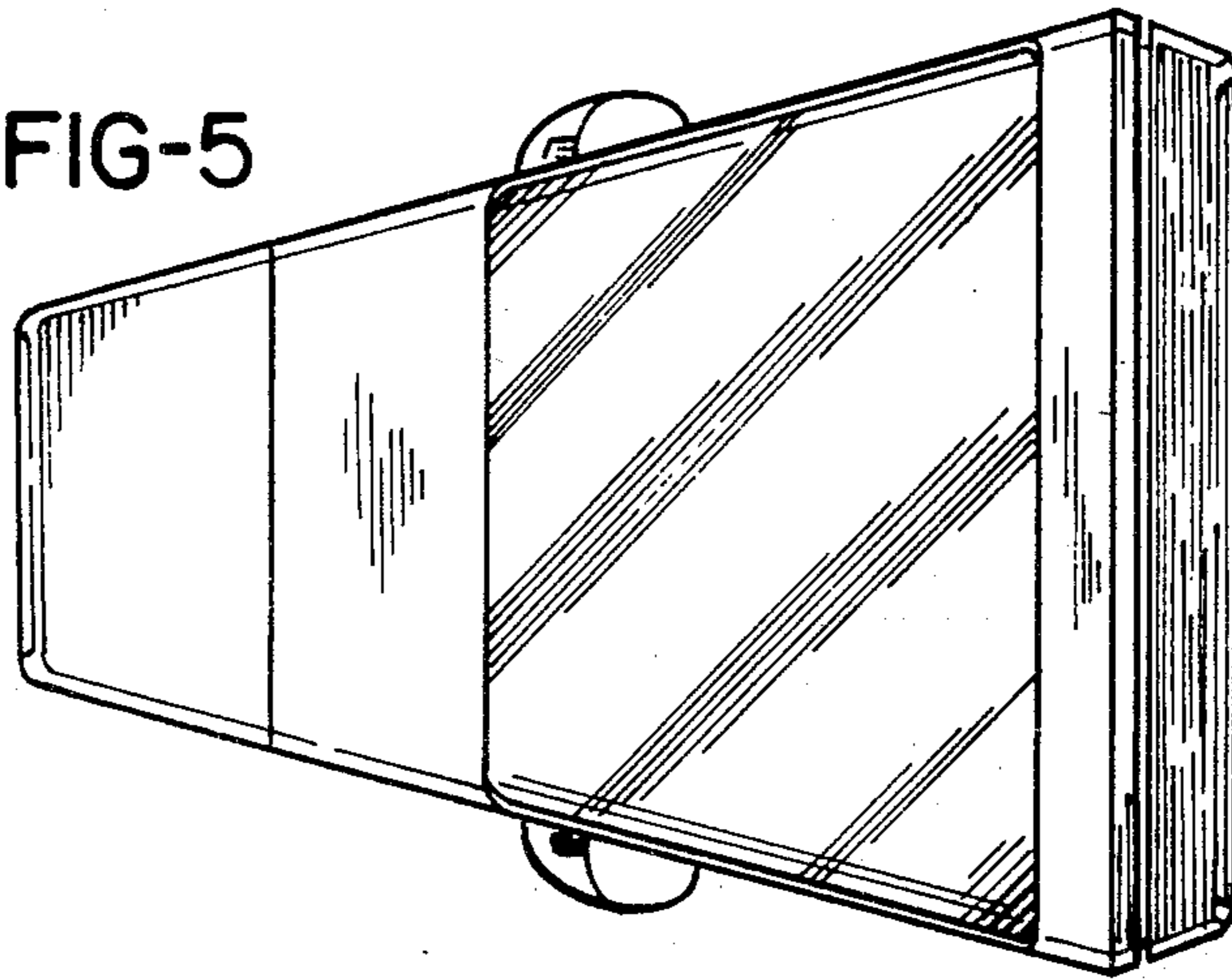


FIG-6

