

[54] DEFIBRILLATOR CASE

[75] Inventor: Cullen H. MacPherson, Portland, Oreg.

[73] Assignee: Life Science Instrumentation, Inc., Torrance, Calif.

[\*\*] Term: 14 Years

[21] Appl. No.: 623,796

[22] Filed: Jun. 22, 1984

[52] U.S. Cl. .... D24/17

[58] Field of Search ..... D24/21, 17, 8, 29; 128/419 D, 419 S, 419 R

[56] References Cited

U.S. PATENT DOCUMENTS

D. 229,638	12/1973	Kawaguchi	.....	D24/17
D. 244,154	4/1977	Smith et al.	.....	D24/8 X
D. 249,064	8/1978	Smith et al.	.....	D24/17
D. 253,608	12/1979	Smith et al.	.....	D24/29

3,865,101 2/1975 Saper et al. .... 128/419 D X

FOREIGN PATENT DOCUMENTS

2000682 1/1979 United Kingdom .... 128/419 D

Primary Examiner—A. Hugo Word  
Assistant Examiner—Stella M. Reid  
Attorney, Agent, or Firm—Alan H. MacPherson; Steven F. Caserza; Richard Franklin

[57] CLAIM

The ornamental design for a defibrillator case, substantially as shown and described.

DESCRIPTION

FIG. 1 is an isometric view of a defibrillator case showing my new design;

FIG. 2 is a right side elevational view thereof;

FIG. 3 is a top plan view thereof;

FIG. 4 is a front elevational view thereof;

The left side view is identical to the right side view.

The bottom is essentially plain.

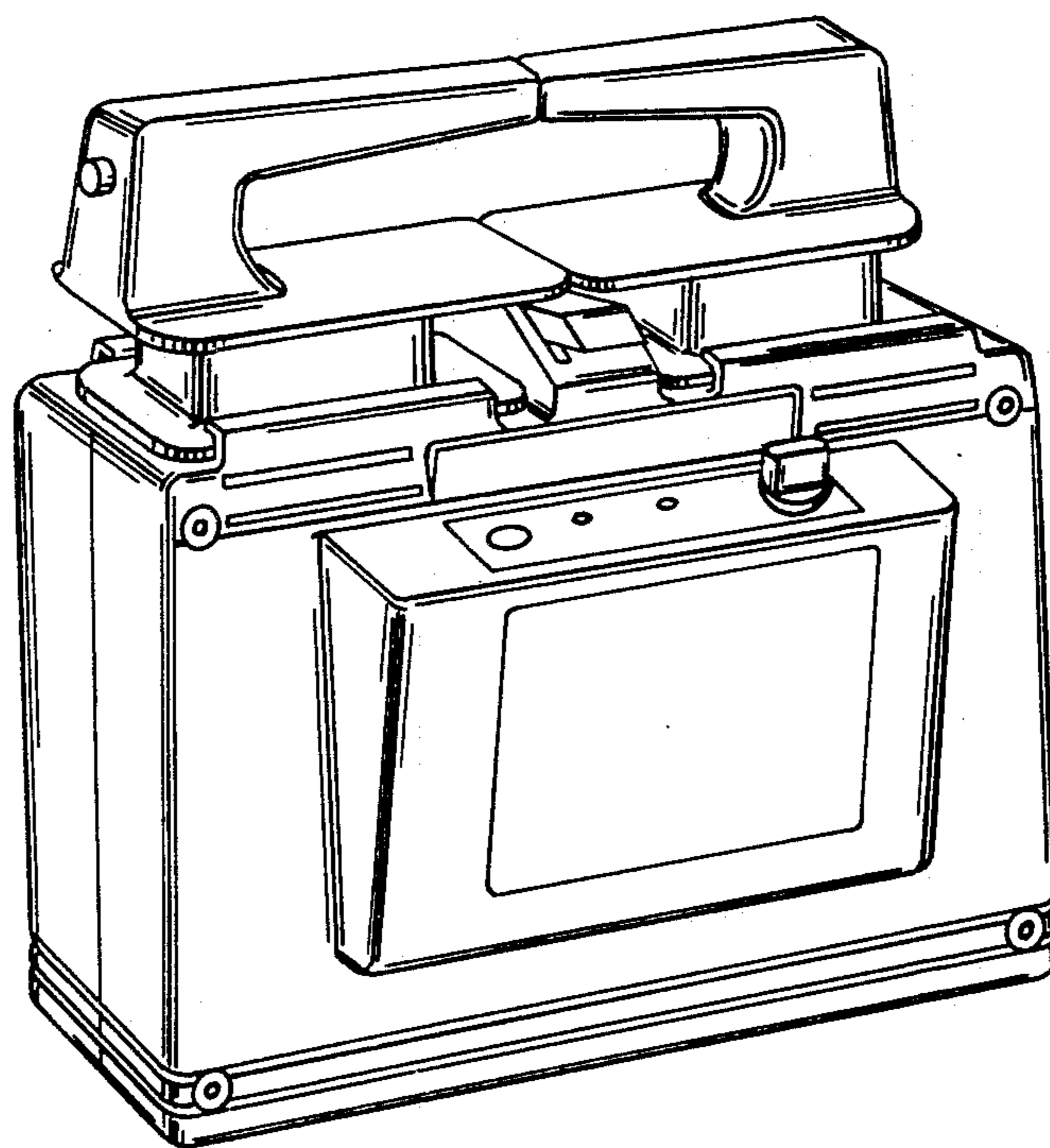


FIG. 1

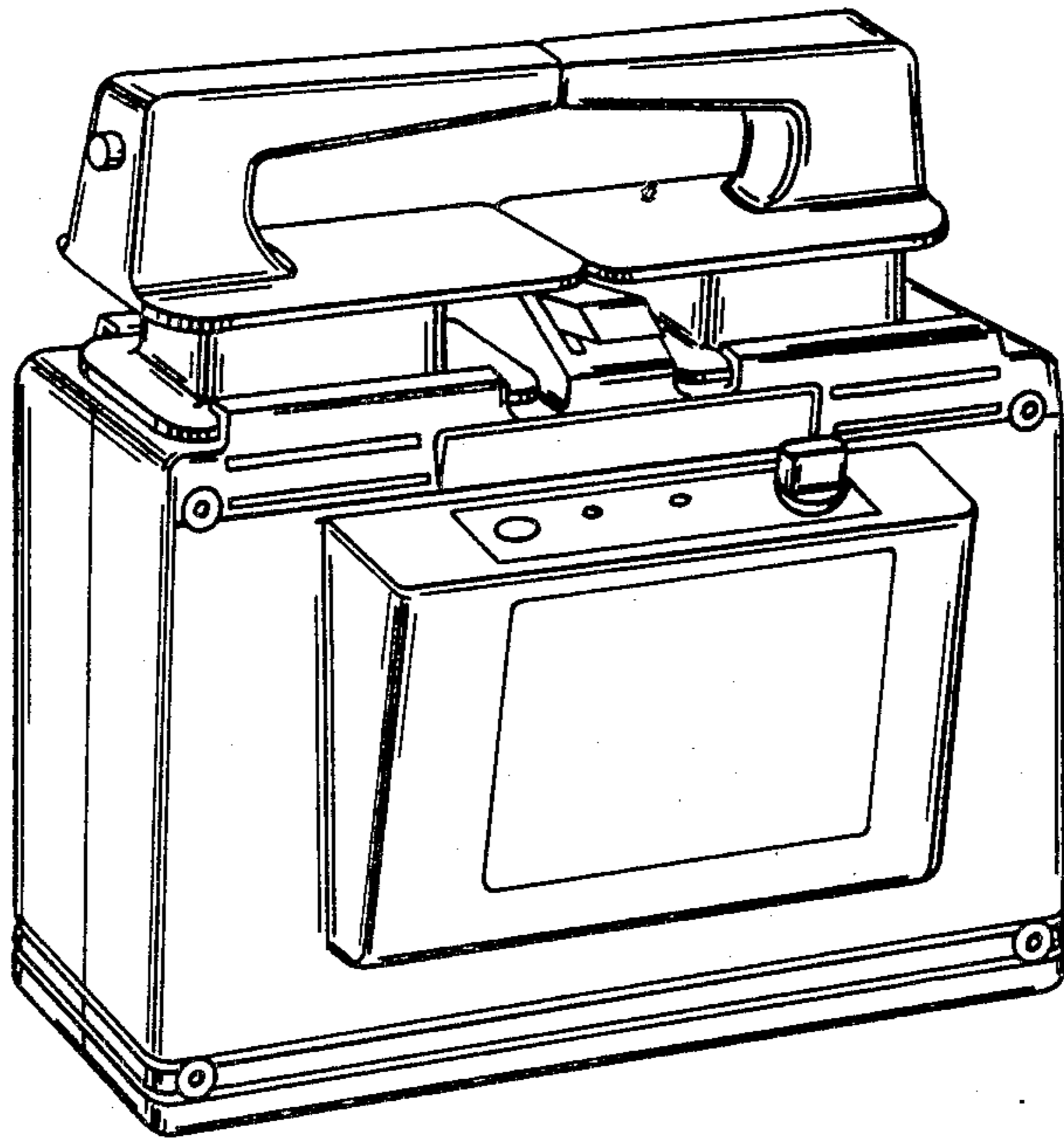


FIG. 2

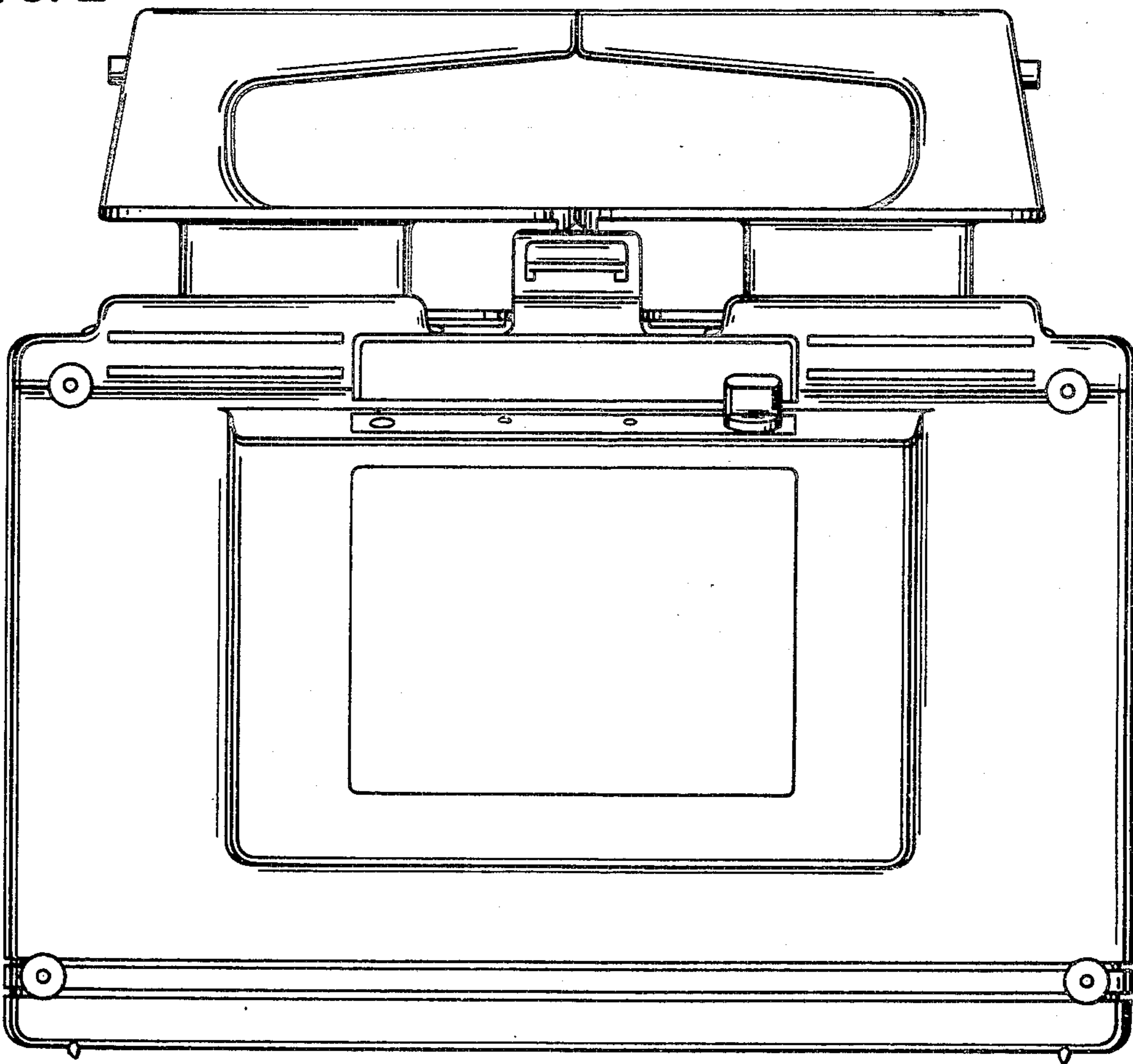


FIG. 3

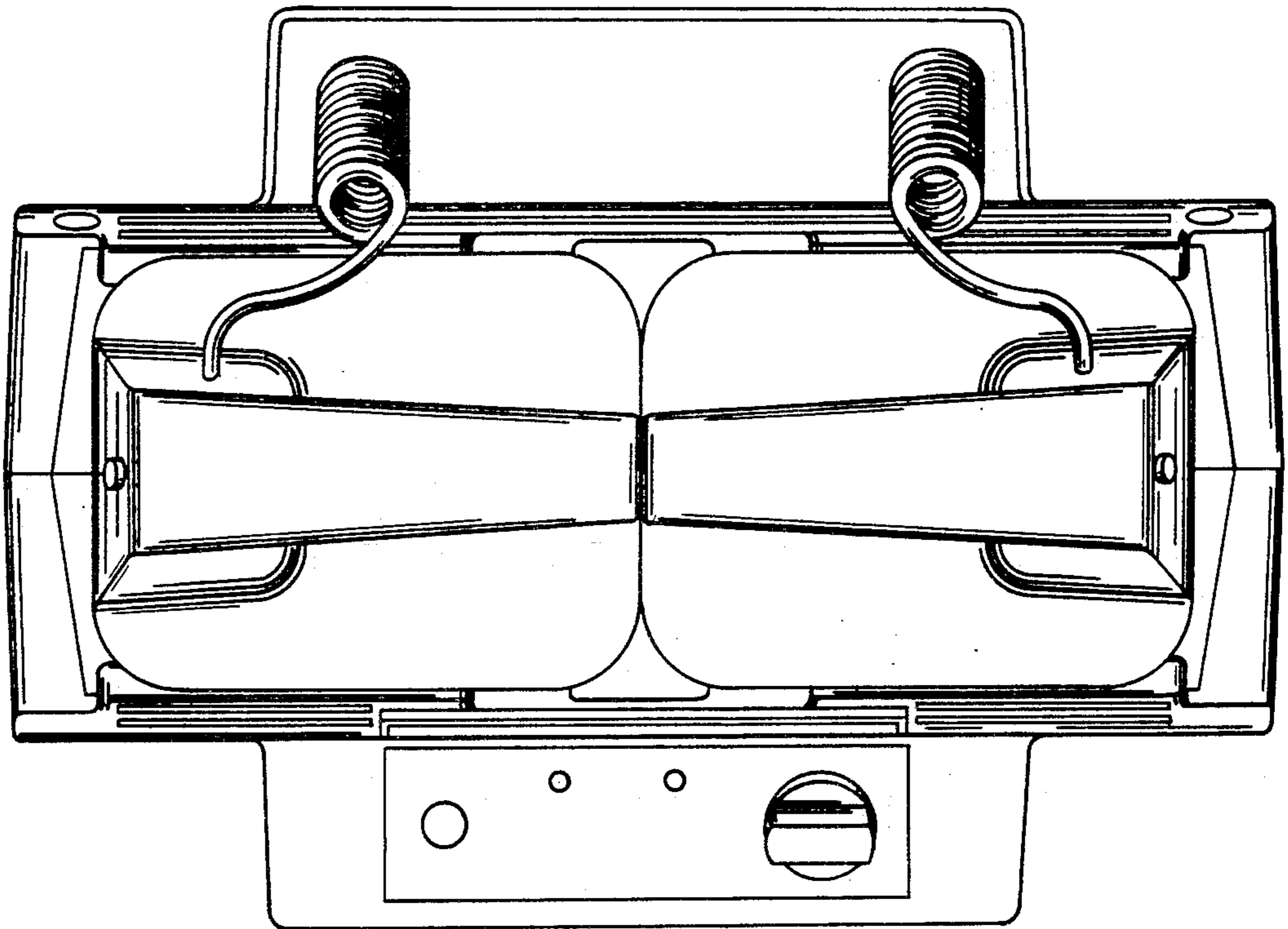


FIG. 4

