

[54] WATER BATH SHAKER

3,601,372 8/1971 Harmes 366/147 X
3,985,511 10/1976 Betts 126/374 X

[75] Inventors: Dirk E. Vander Hout, Glenwood;
Raymond A. Dufour, Hinsdale, both
of Ill.

[73] Assignee: Lab-Line Instruments, Inc., Melrose
Park, Ill.

[**] Term: 14 Years

[21] Appl. No.: 646,109

[22] Filed: Aug. 31, 1984

[52] U.S. Cl. D24/9

[58] Field of Search D24/8, 9; 422/104, 99;
366/108, 114, 115, 110, 111, 116, 128, 124,
144-147, 209, 220, 237, 239, 240; 126/374;
219/312, 328

[56] References Cited

U.S. PATENT DOCUMENTS

D. 275,033 8/1984 Postlewait D24/8
2,813,189 11/1957 Lawler 219/312 X

OTHER PUBLICATIONS

Fisher Scientific-1981, Fisher Shaking Water Baths, pp.
80-83.

Primary Examiner—A. Hugo Word
Assistant Examiner—Stella M. Reid
Attorney, Agent, or Firm—Emrich & Dithmar

[57] CLAIM

The ornamental design for a water bath shaker, as
shown and described.

DESCRIPTION

FIG. 1 is a front elevational view of a water bath shaker
showing our new design;
FIG. 2 is a top plan view thereof;
FIG. 3 is a side elevational thereof, the other side being
identical;
FIG. 4 is a rear elevational thereof;
FIG. 5 is a bottom plan view thereof; and
FIG. 6 is a perspective view thereof.

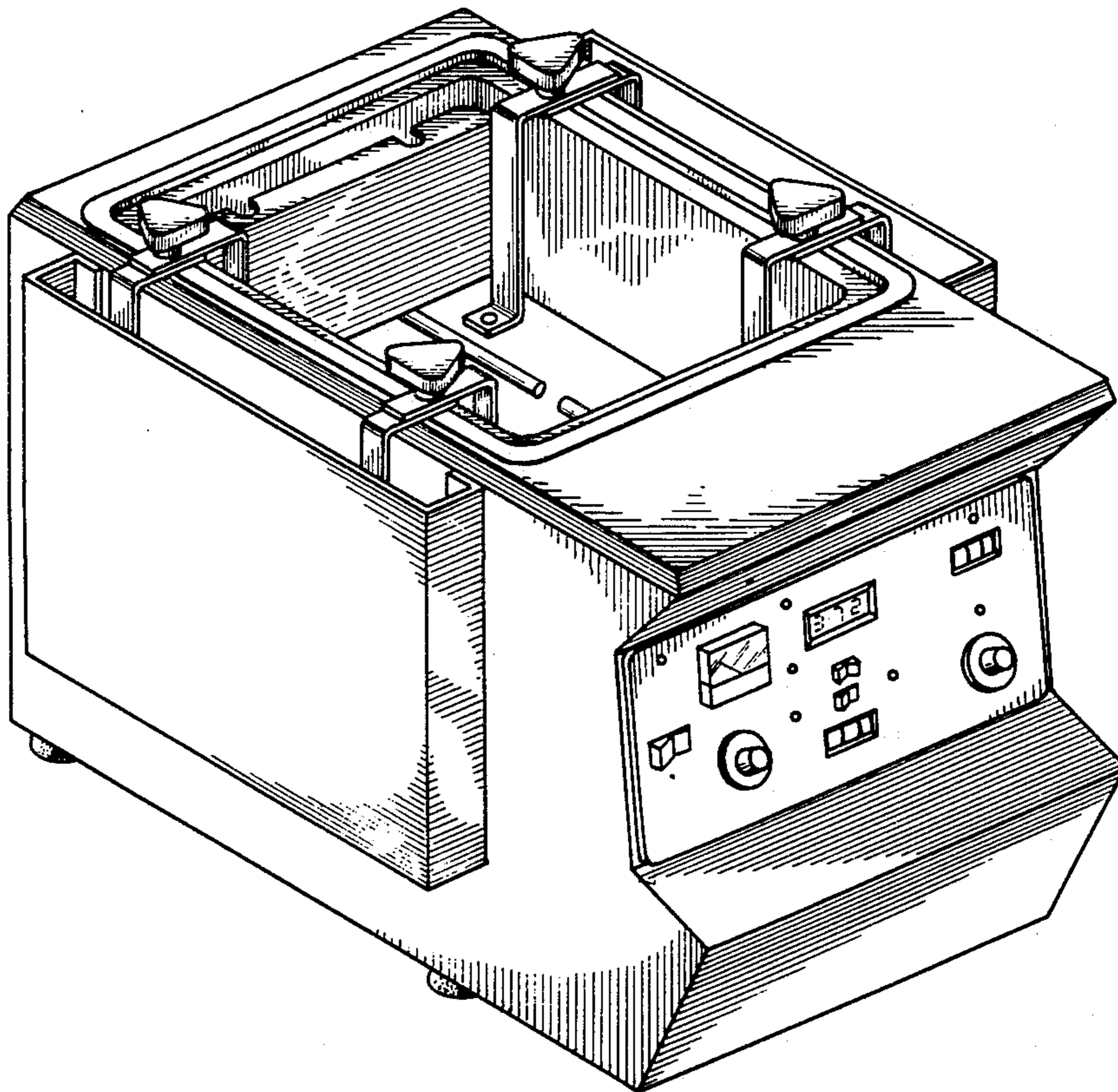


Fig 1

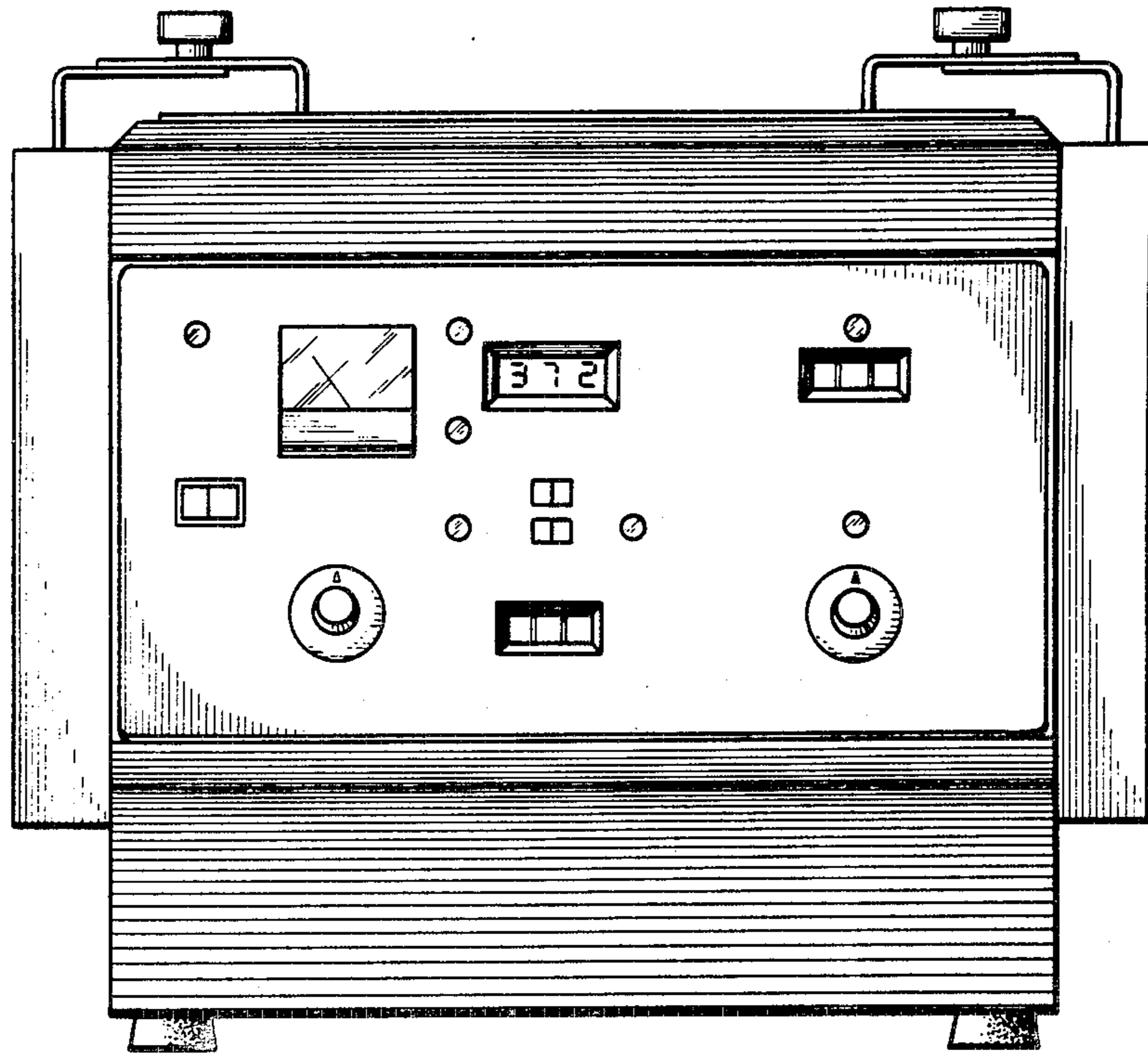


Fig 2

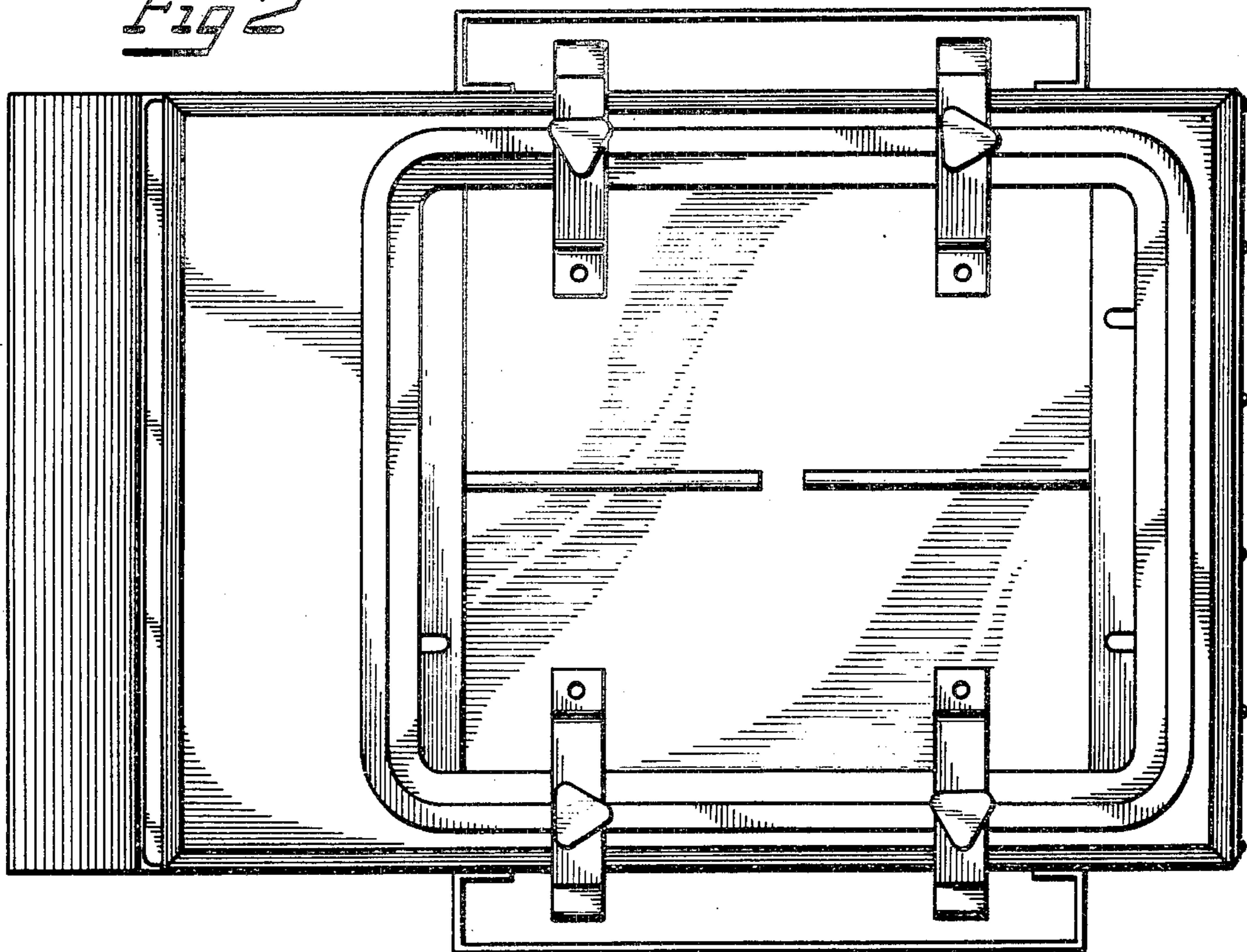


Fig 3

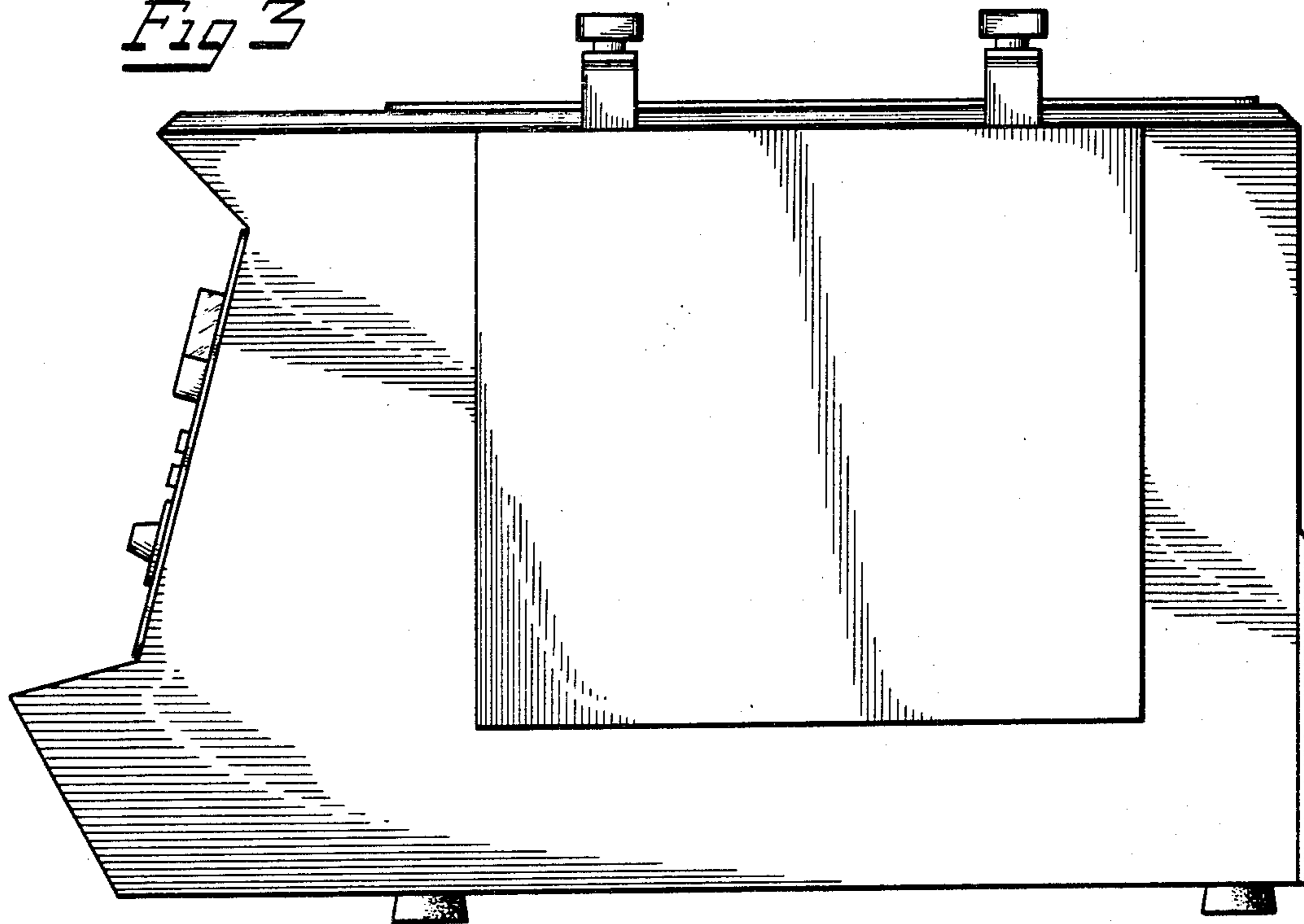


Fig 4

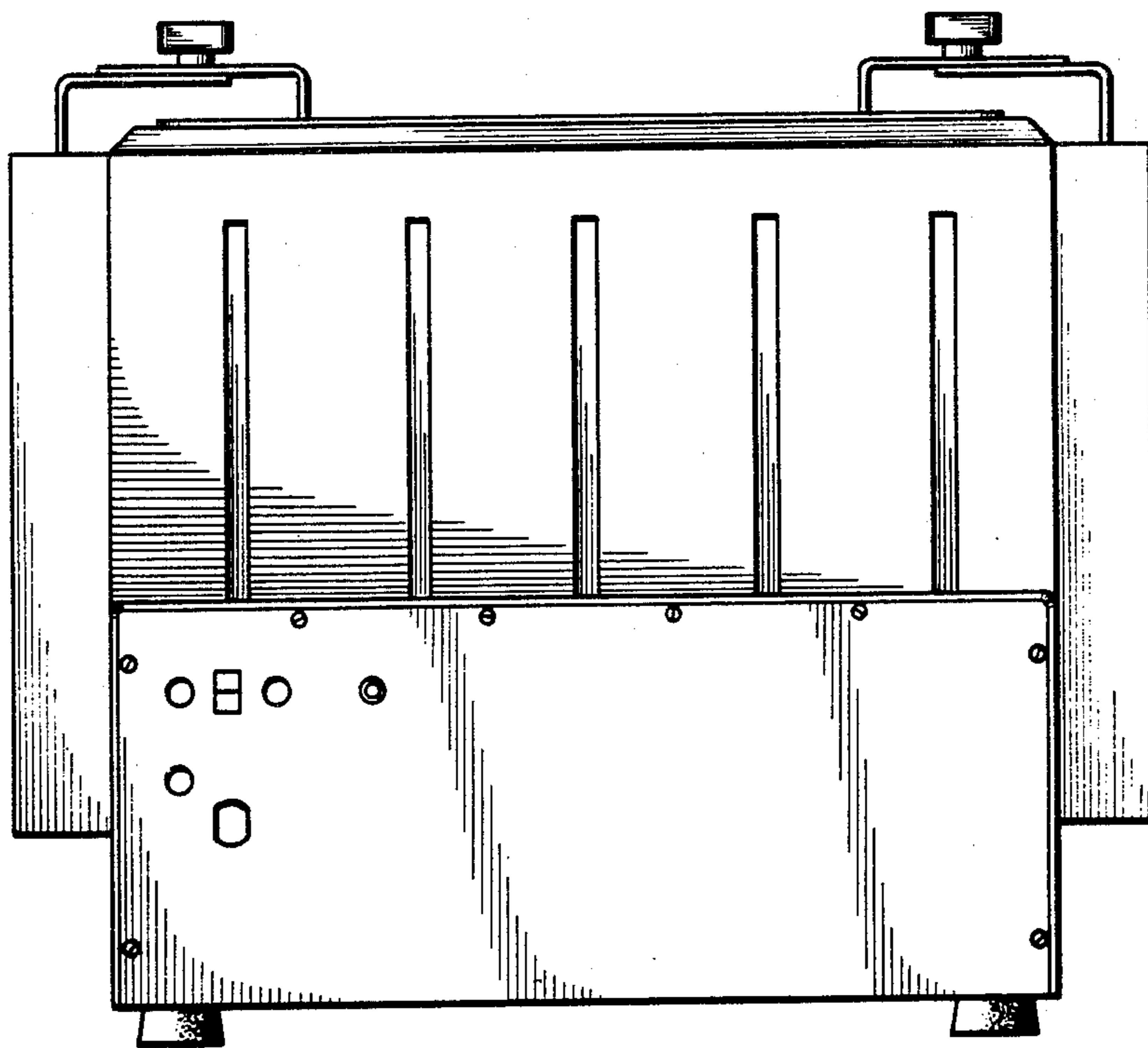


Fig 5

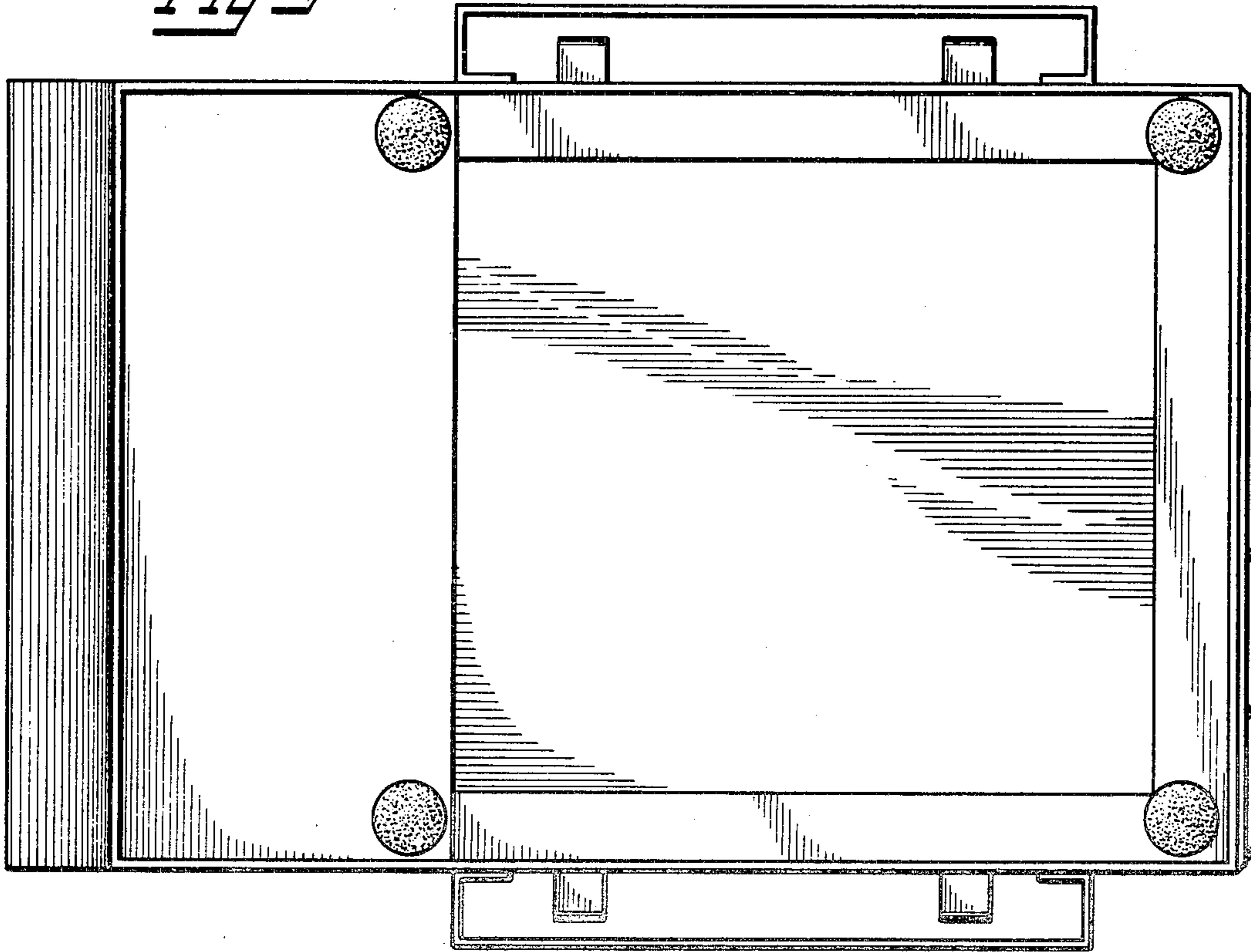


Fig 6

