

[54] TREATMENT TABLE

[76] Inventors: Nils E. Augustsson, Fasanvägen 2, S-232 00; Kjell O. T. Lindström, N. Skogsvägen 3, S-236 00 Höllviksnäs; Lars J. S. Mattsson, Persikevägen 43, S-223 55 Lund, all of Sweden

[\*\*] Term: 14 Years

[21] Appl. No.: 633,931

[22] Filed: Jul. 24, 1984

[30] Foreign Application Priority Data

Jan. 26, 1984 [SE] Sweden ..... 84-0256  
[52] U.S. Cl. .... D24/3  
[58] Field of Search ..... D6/429, 430; D24/3; 269/322, 323; 128/33, 70

[56] References Cited

U.S. PATENT DOCUMENTS

D. 231,864	6/1974	Berne .....	D24/3
D. 239,571	4/1976	Dirck .....	D24/3
D. 249,359	9/1978	Stott et al. ....	D24/3
D. 264,874	6/1982	Augustsson et al. ....	D24/3
D. 269,543	6/1983	Walper et al. ....	D24/3
2,683,453	7/1954	Tong .....	128/33
3,042,025	7/1962	Jackson .....	128/70

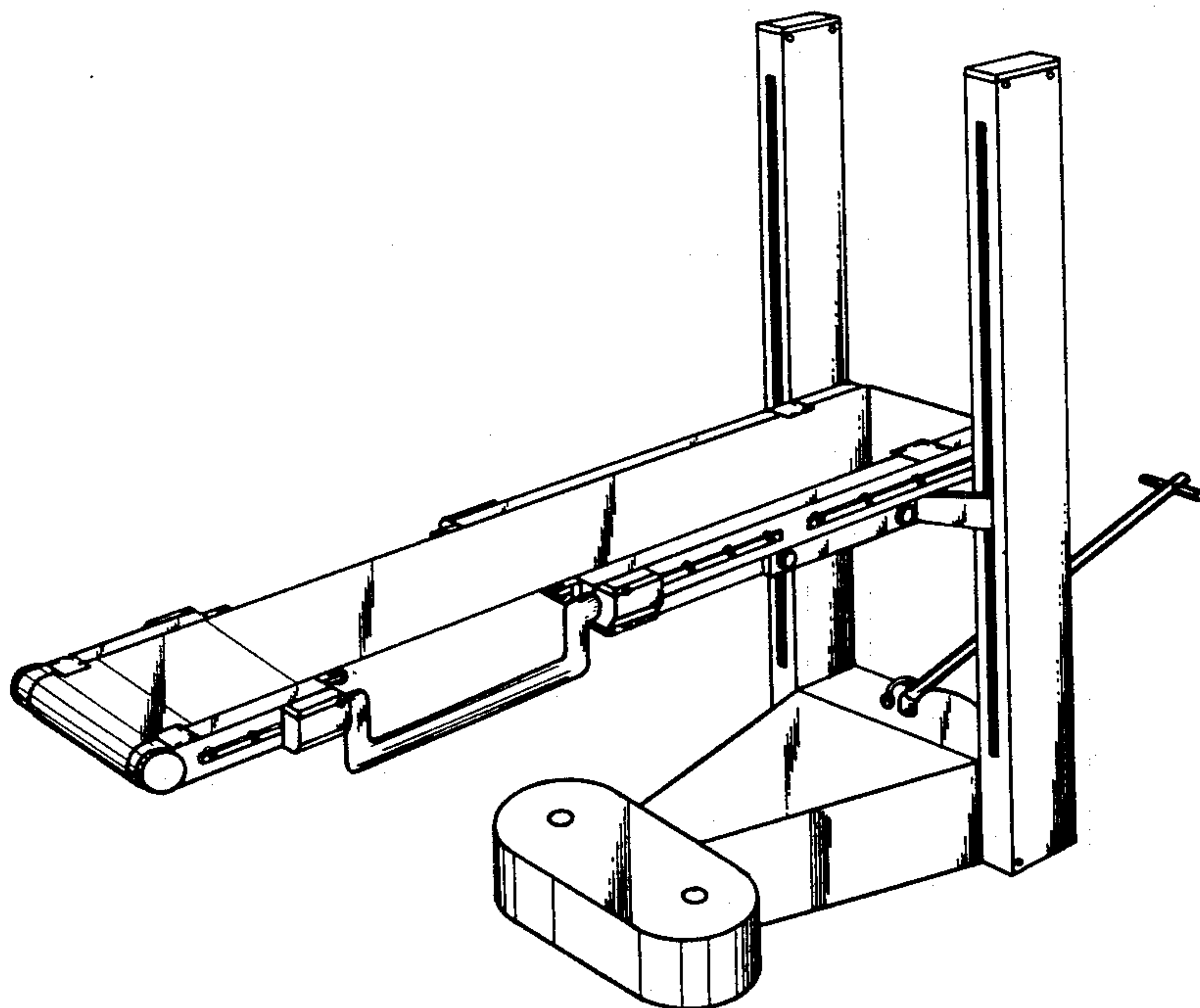
Primary Examiner—Bruce W. Dunkins  
Attorney, Agent, or Firm—Barnes, Kisselle, Raisch, Choate, Whittemore & Hulbert

[57] CLAIM

The ornamental design for a treatment table, substantially as shown.

DESCRIPTION

FIG. 1 is a perspective view, showing the top, front and right side of a treatment table embodying our new design; and  
FIG. 2 is a perspective view, showing the top, back and left side of the treatment table of FIG. 1.



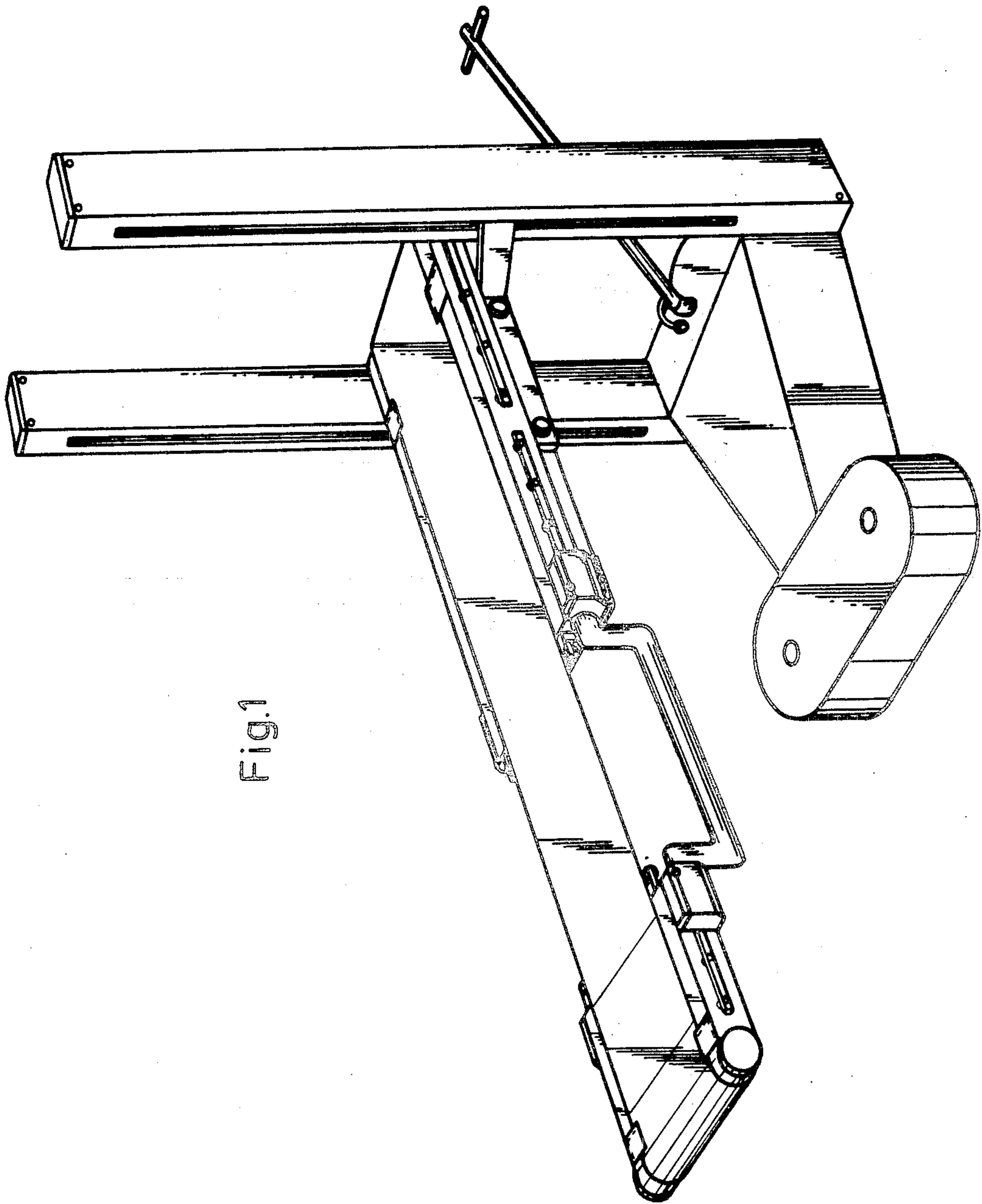


Fig. 1

