

[54] INTEGRAL AUDIOMETER DESK

[56] References Cited

[75] Inventors: Ludwig M. Moser, Estenfeld; Anton Kammermeier, Welden, both of Fed. Rep. of Germany

U.S. PATENT DOCUMENTS

D. 218,760	9/1970	Jelinek et al.	D14/103 X
D. 233,043	10/1974	Pycha et al.	D14/103
D. 233,862	3/1976	Genaro et al.	D6/422 X
D. 247,811	5/1978	Moeckl	D14/103
4,449,762	5/1984	Turner	312/194 X
4,458,961	7/1984	Browning	312/194 X

[73] Assignee: Westra Electronic GmbH, Welden, Fed. Rep. of Germany

Primary Examiner—A. Hugo Word
Assistant Examiner—Stella M. Reid
Attorney, Agent, or Firm—Weingarten, Schurgin, Gagnebin & Hayes

[**] Term: 14 Years

[57] CLAIM

[21] Appl. No.: 637,202

The ornamental design for an integral audiometer desk, as shown.

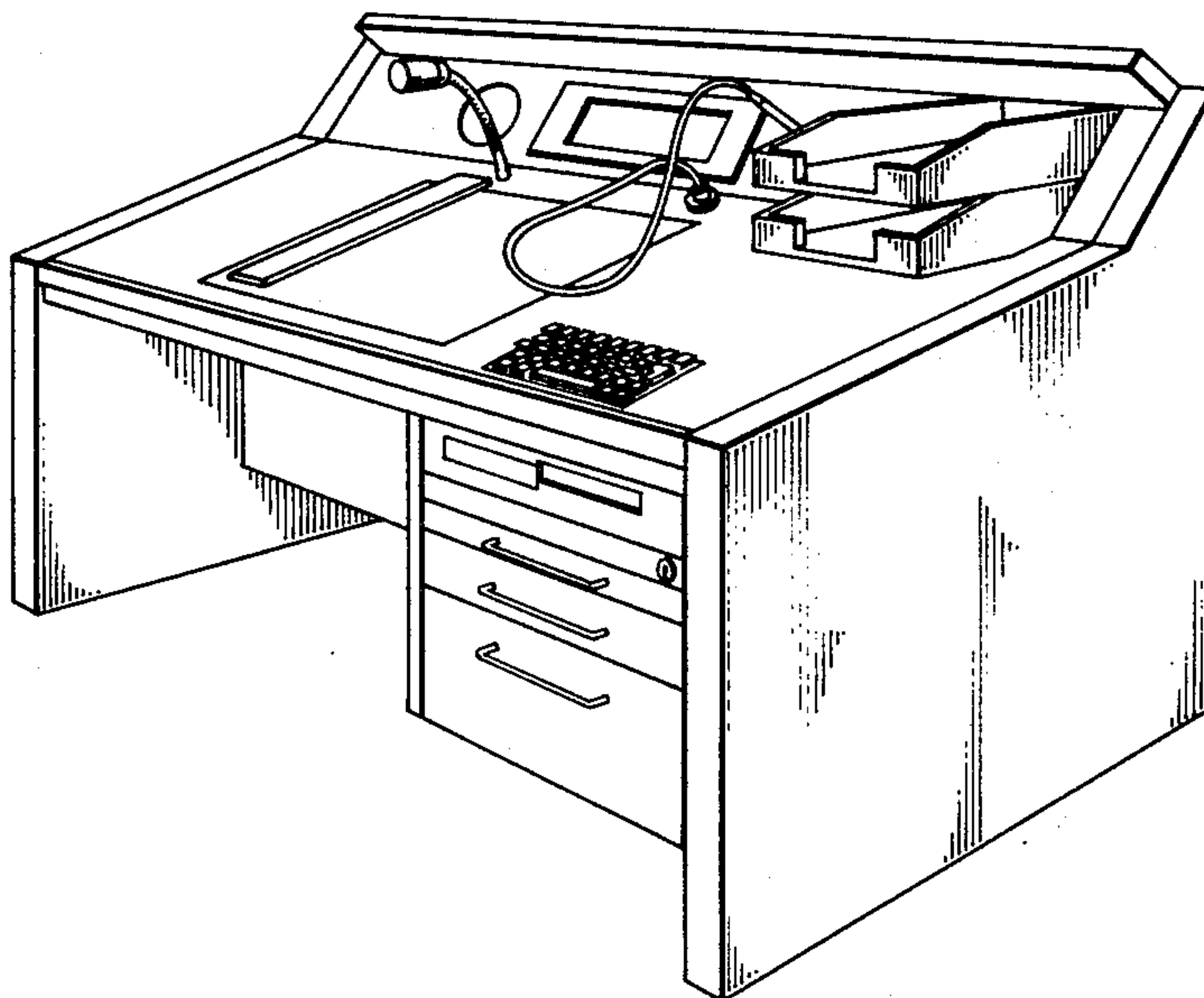
[22] Filed: Aug. 2, 1984

DESCRIPTION

[30] Foreign Application Priority Data

Feb. 15, 1984 [DE] Fed. Rep. of Germany 4280
 [52] U.S. Cl. D24/1.1; D14/103; D6/426
 [58] Field of Search D24/1.1, 2; D14/100, D14/102, 103; D6/396, 420, 422, 426, 428; 312/209, 194, 195, 196; 73/585

FIG. 1 is a perspective view of an integral audiometer desk embodying our new design;
 FIG. 2 is a front elevational view thereof;
 FIG. 3 is a rear elevational view thereof;
 FIG. 4 is a bottom plan view thereof;
 FIG. 5 is a top plan view thereof;
 FIG. 6 is a right side elevational view thereof; and
 FIG. 7 is a left side elevational view thereof.



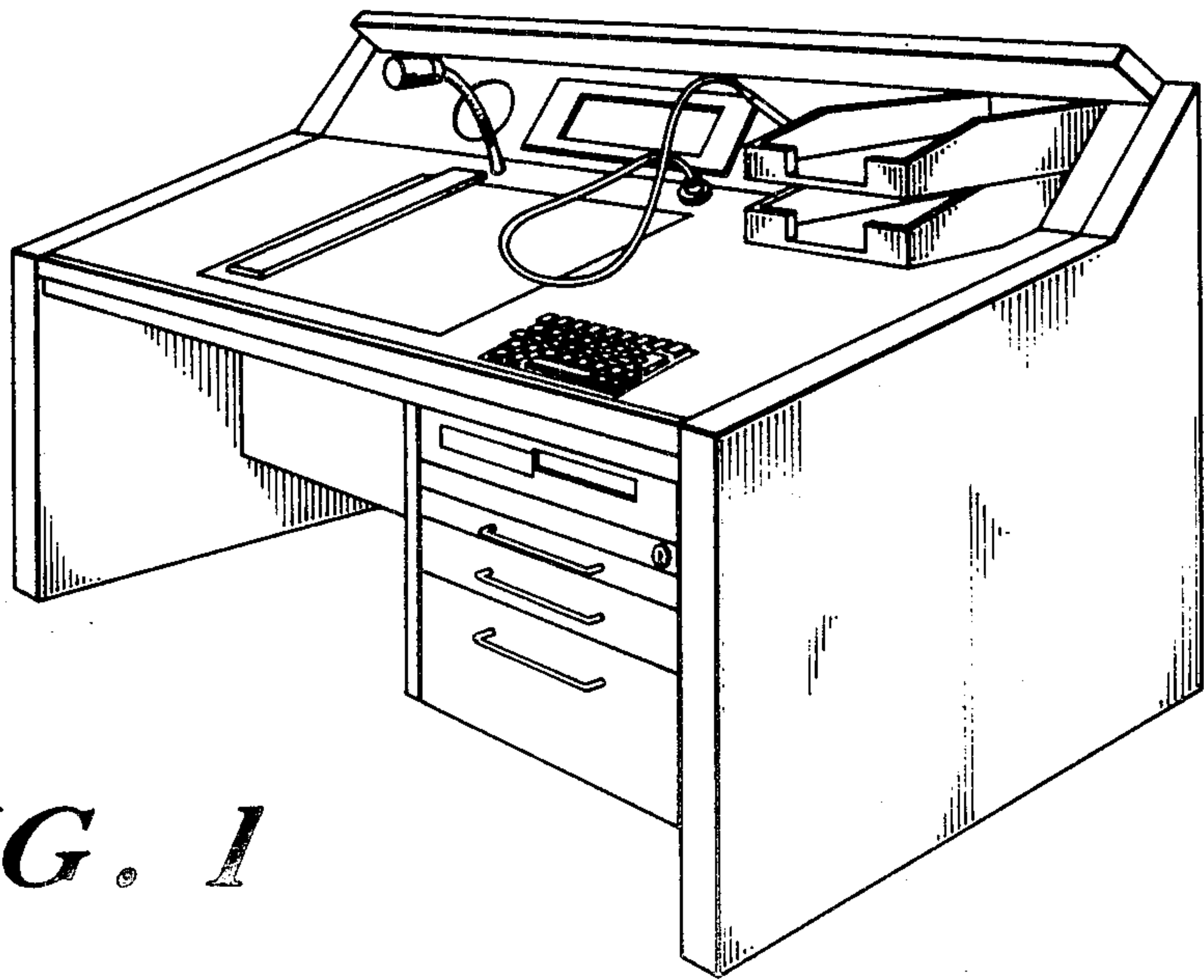


FIG. 1

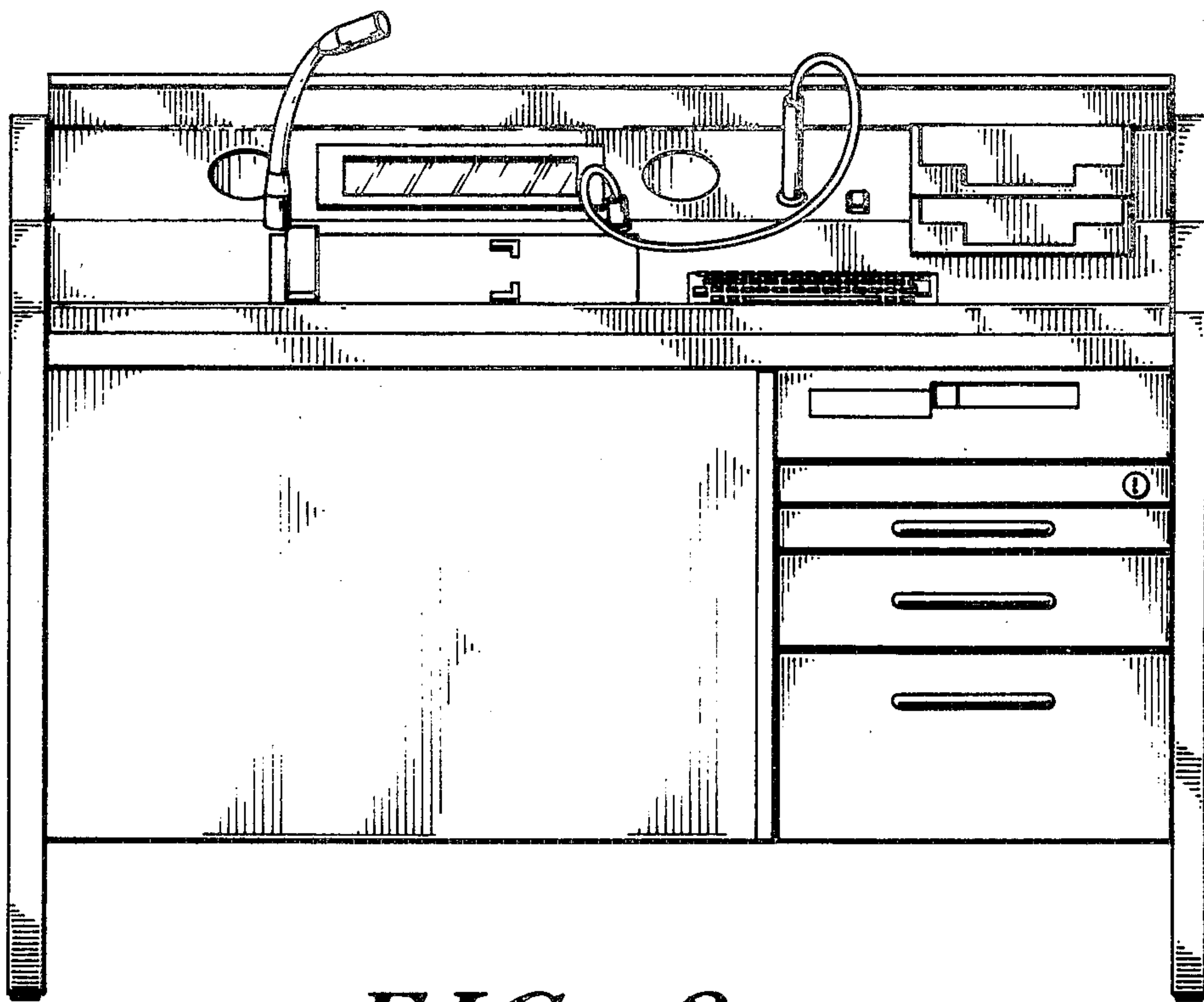


FIG. 2

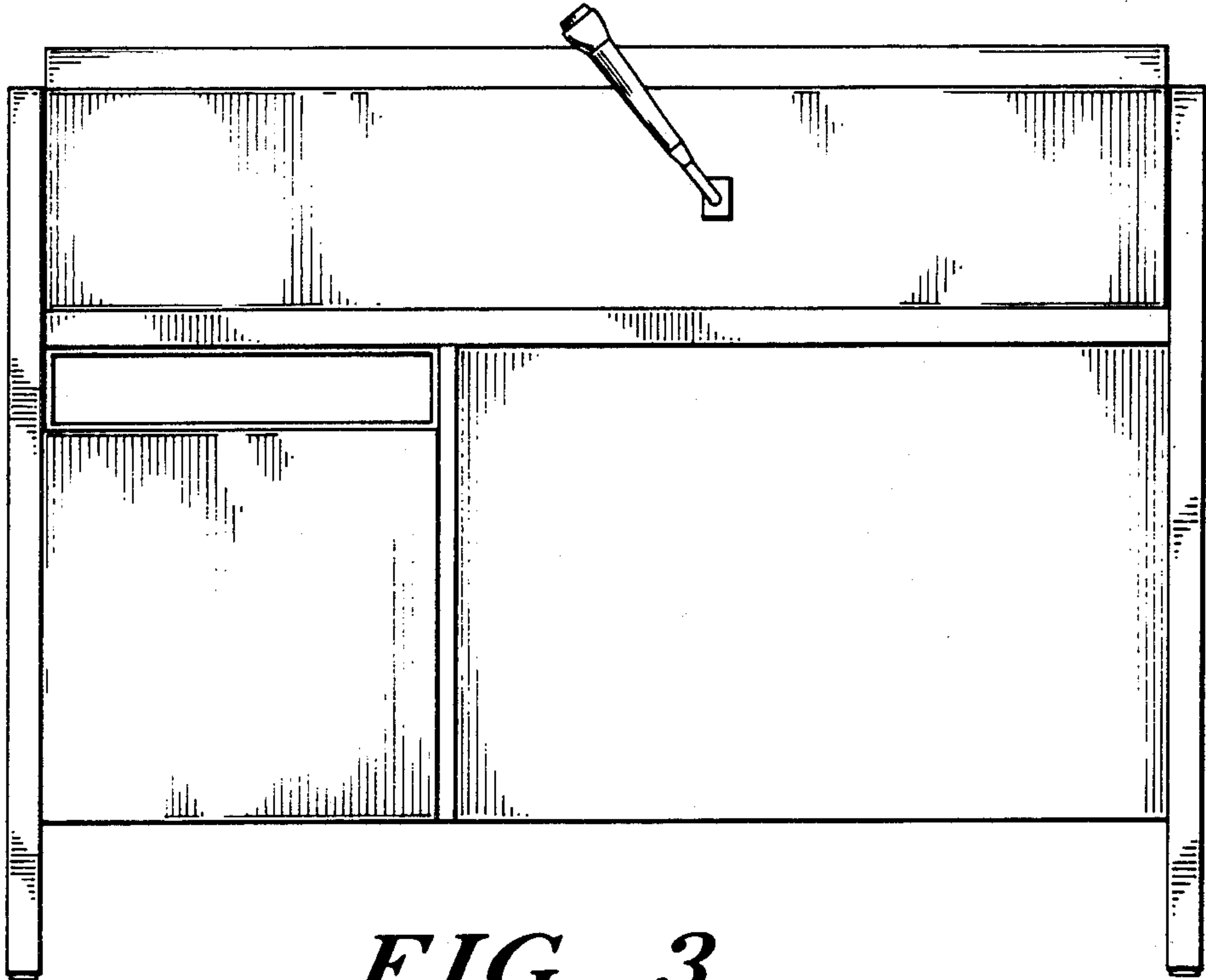


FIG. 3

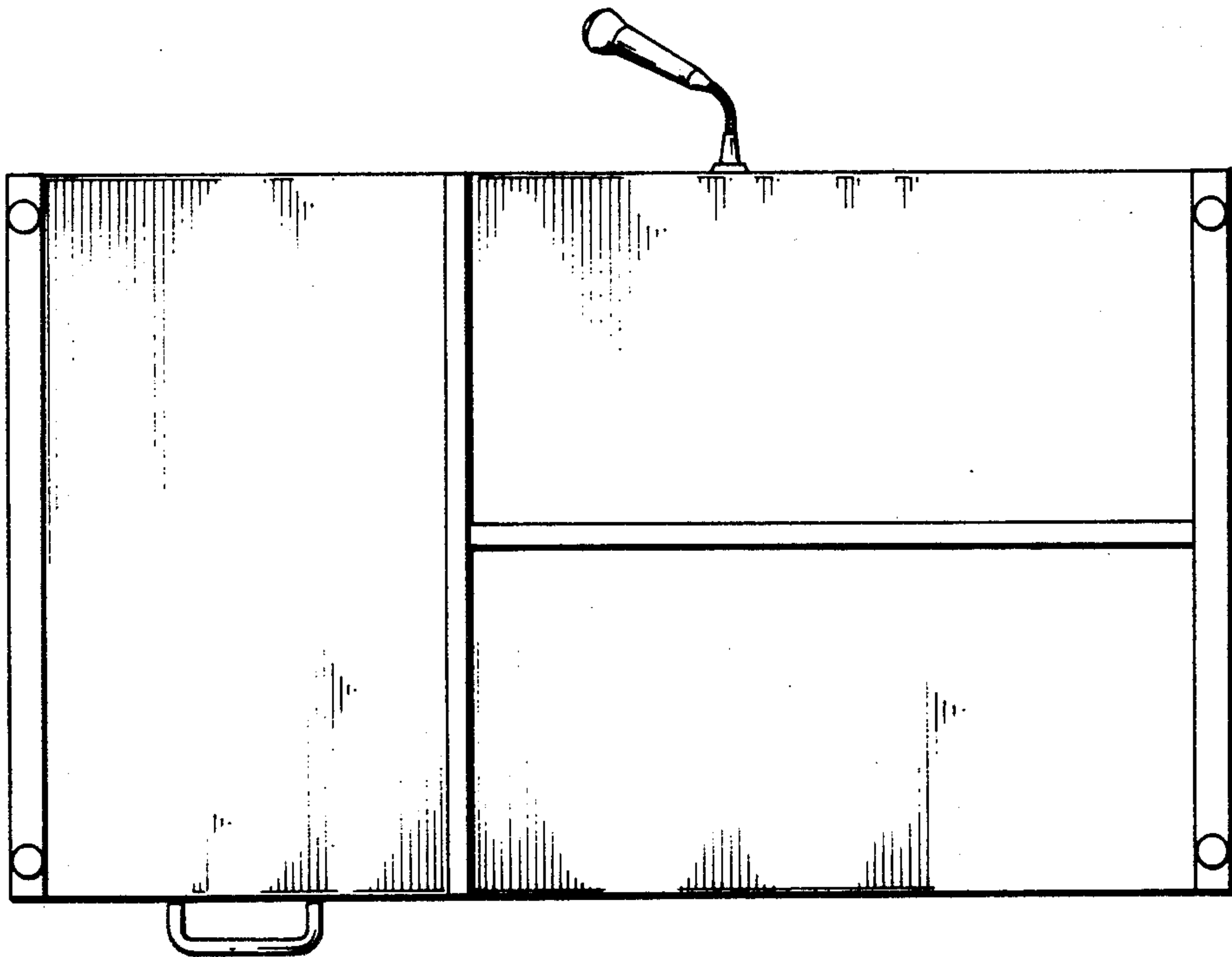


FIG. 4

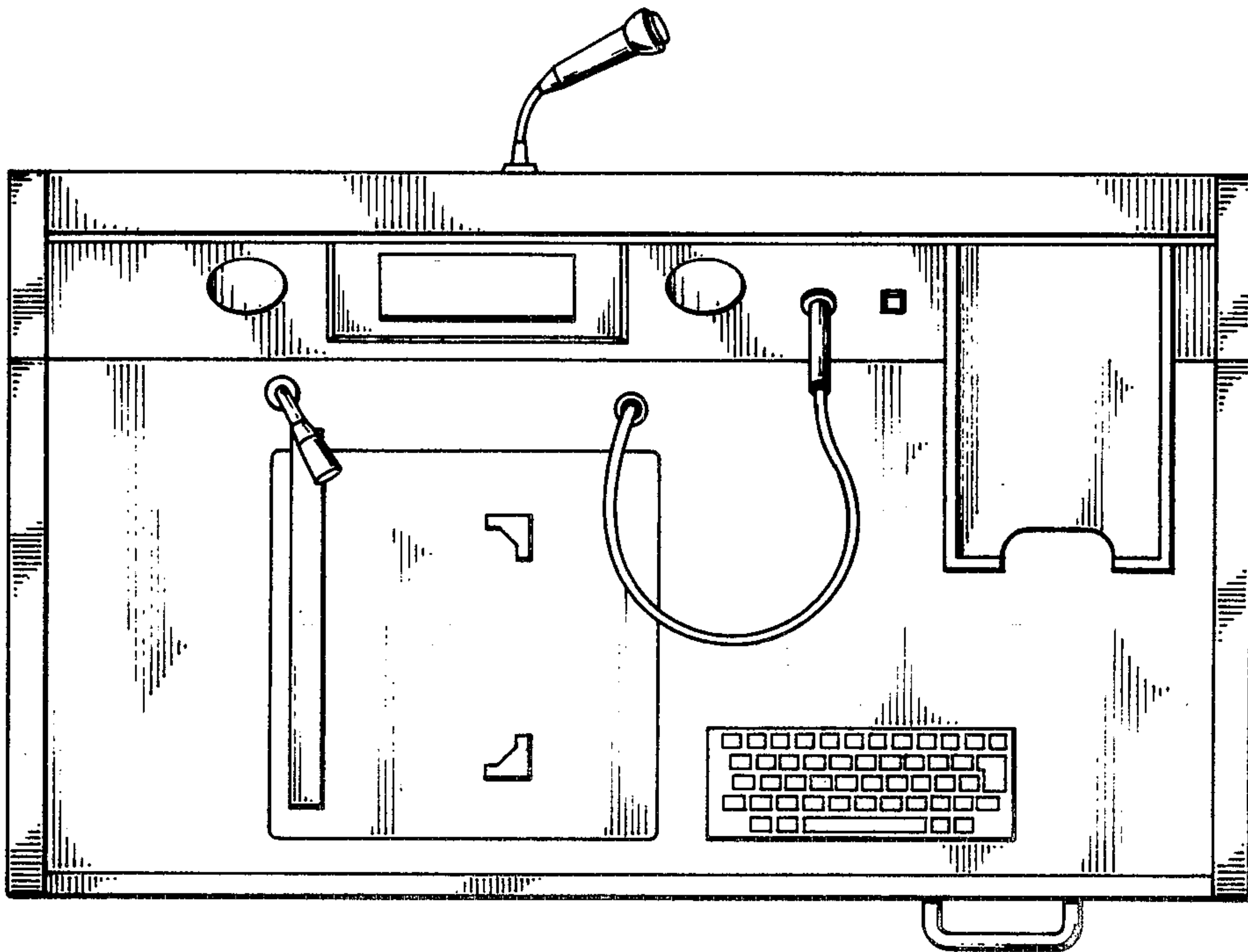


FIG. 5

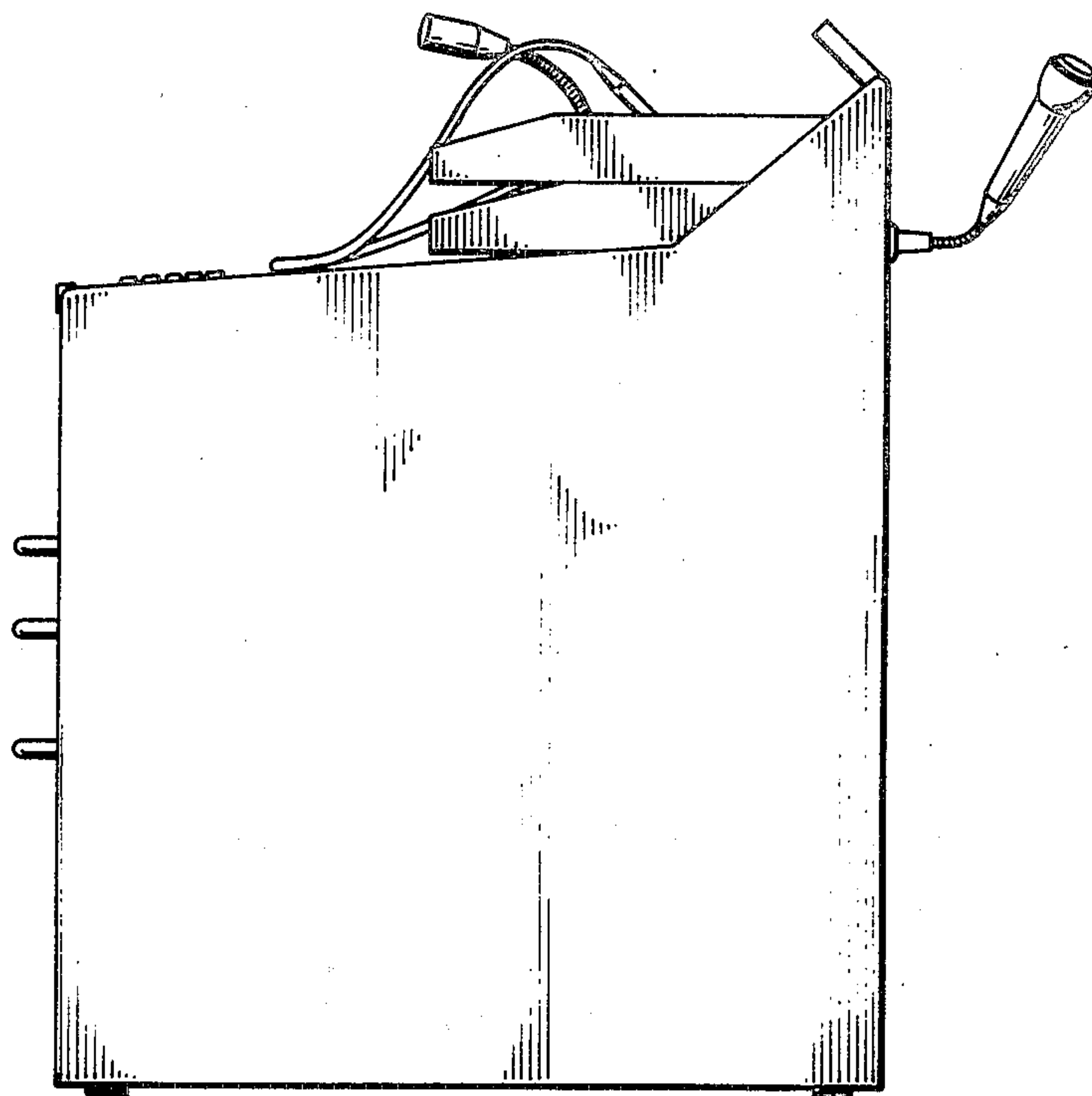


FIG. 6

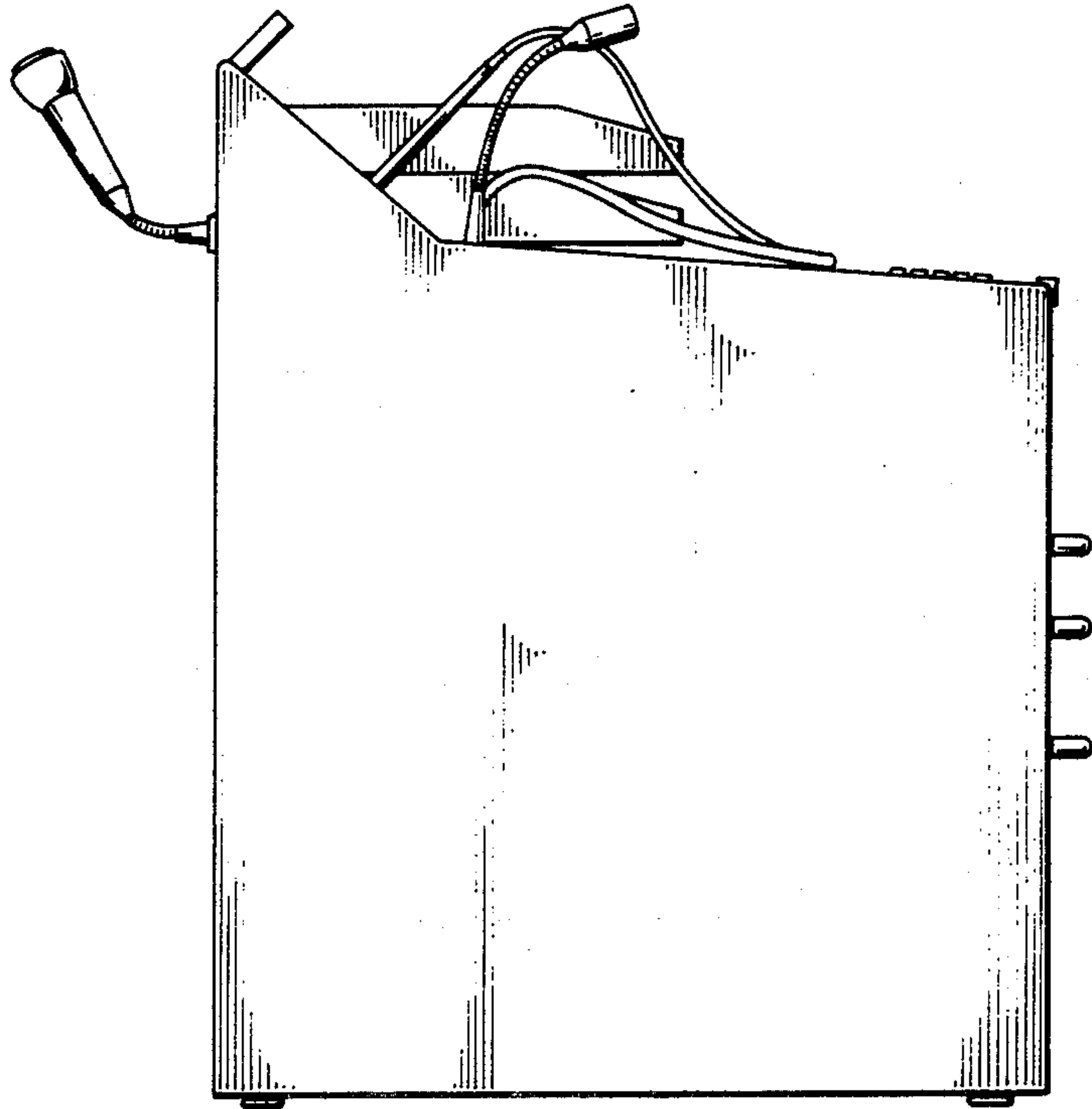


FIG. 7