

[54] ULTRASONIC HUMIDIFIER

[75] Inventor: Kim Young Se, Terrace Sunnyvale, Calif.

[73] Assignee: Daewoo Electronics Co. Ltd., Rep. of Korea

[**] Term: 14 Years

[21] Appl. No.: 616,386

[22] Filed: May 31, 1984

[52] U.S. Cl. D23/146

[58] Field of Search D23/146-150; 219/271-276, 360, 362; 98/30; 261/24, 29, 95, 99, DIG. 17, DIG. 42, DIG. 48, DIG. 65; 239/34, 136; 312/31, 31.01-31.03

[56] References Cited

U.S. PATENT DOCUMENTS

- D. 211,945 8/1968 Stoop et al. D23/146
- D. 211,946 8/1968 Flury D23/146

OTHER PUBLICATIONS

Housewares, Aug. 7, 1983-Douglas Sonic Mist Humidifier, p. 23.

Primary Examiner—B. J. Bullock

Assistant Examiner—Brian N. Vinson

Attorney, Agent, or Firm—Steele, Gould & Fried

[57] CLAIM

The ornamental design for an ultrasonic humidifier, as shown and described.

DESCRIPTION

FIG. 1 is a top, side and front perspective view of an ultrasonic humidifier showing my new design;

FIG. 2 is an exploded top, side and rear perspective view thereof;

FIG. 3 is a top plan view thereof;

FIG. 4 is a bottom plan view thereof;

FIG. 5 is a front elevation view thereof;

FIG. 6 is a right side elevation view thereof;

FIG. 7 is a left side elevation view thereof;

FIG. 8 is a rear elevation view thereof.

The oblique-line shading on portions of the article is understood to represent translucent material.

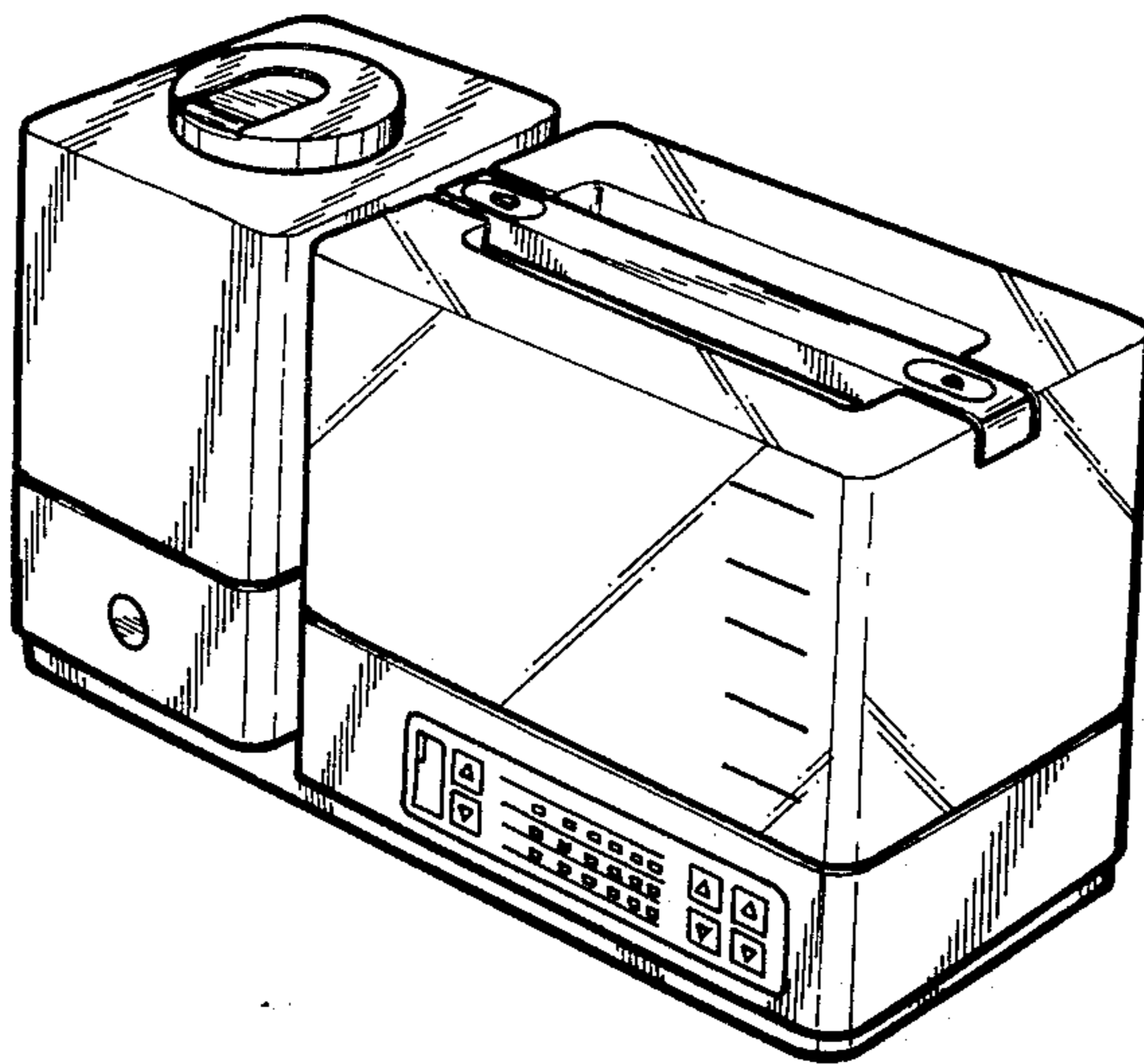


FIG. 1

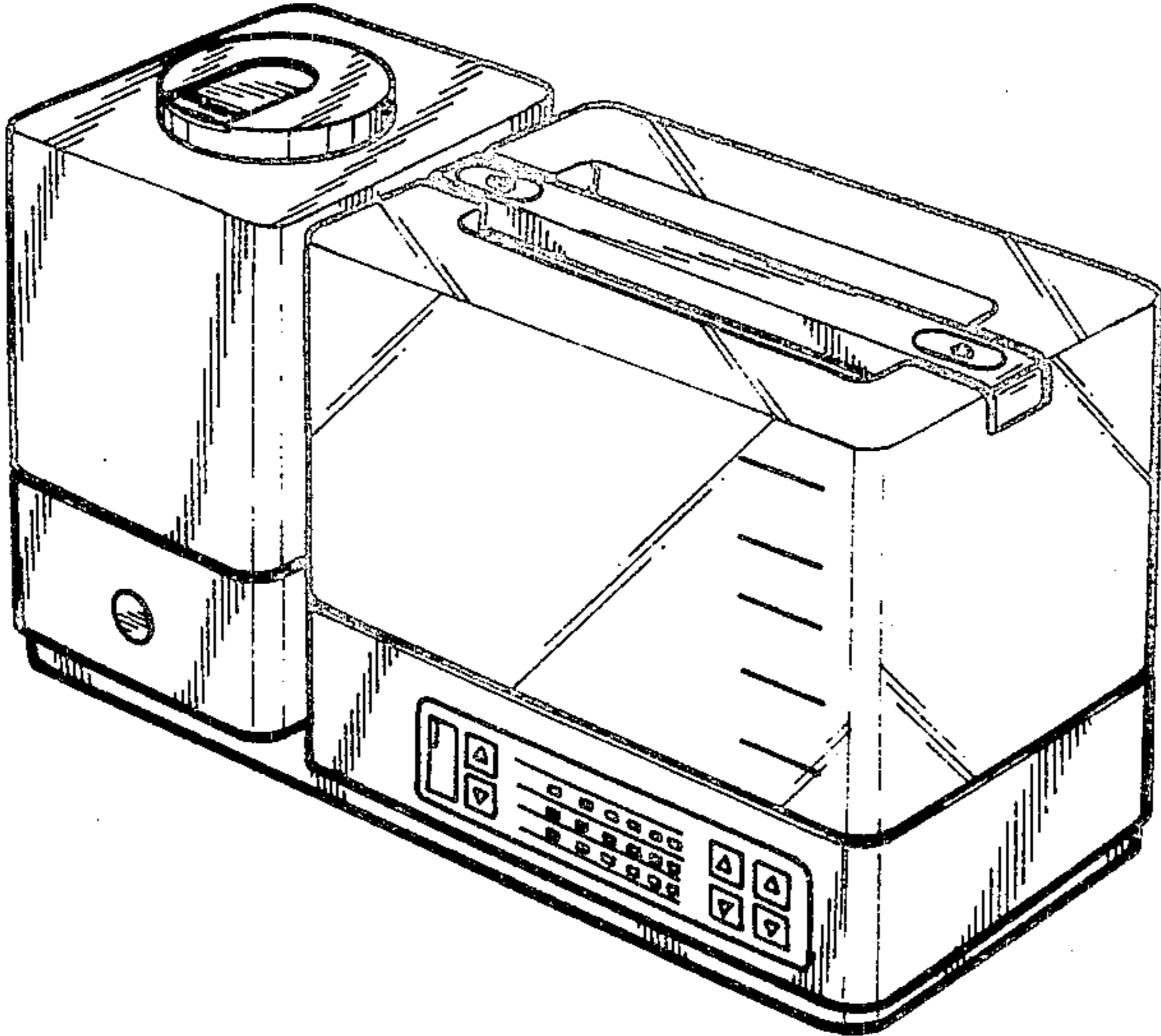


FIG. 2

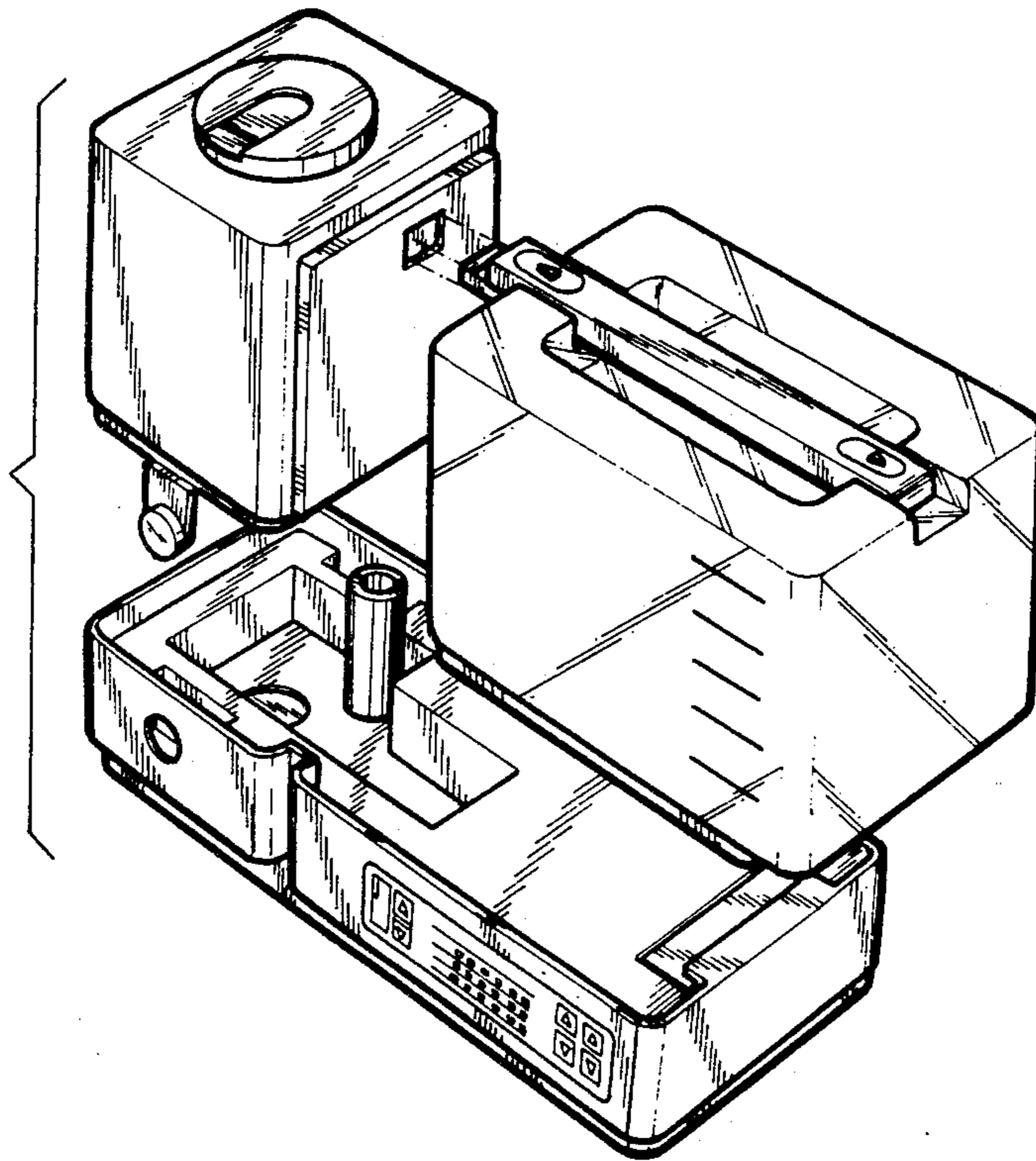


FIG. 3

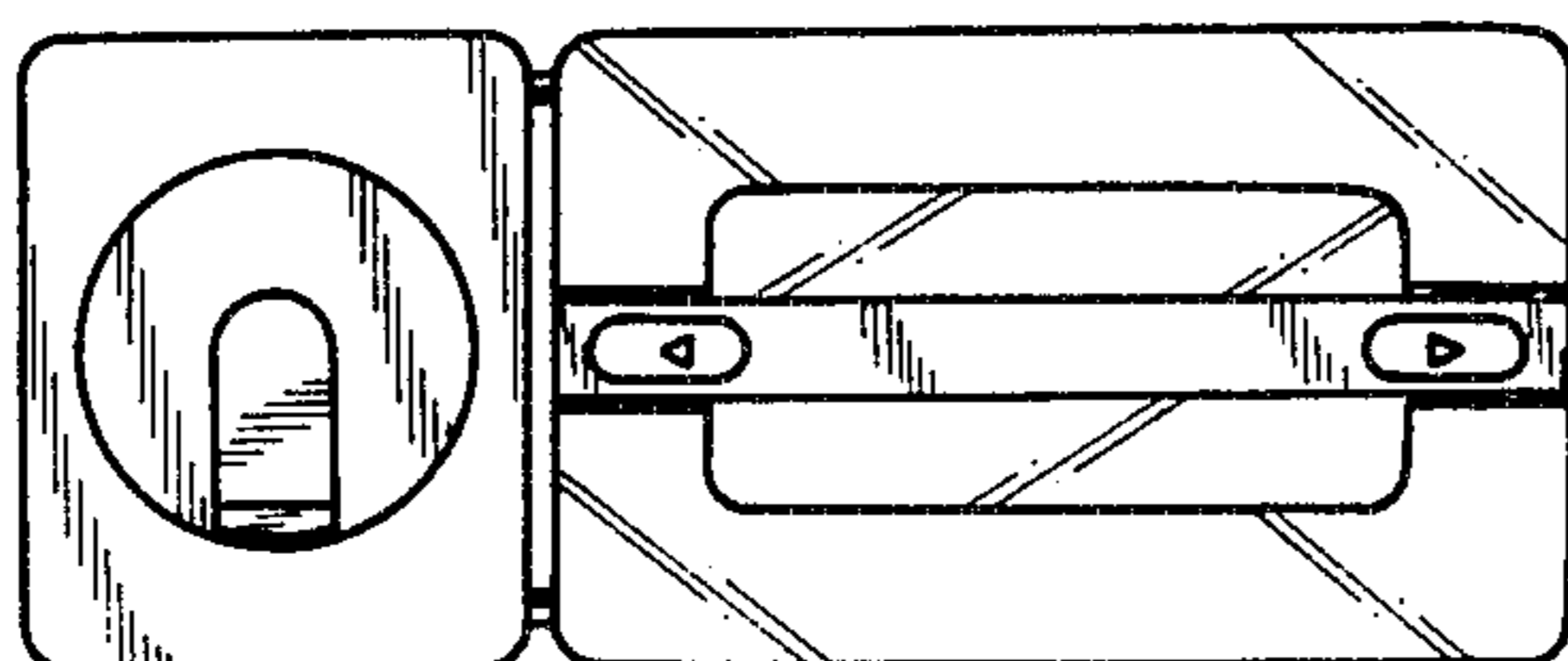


FIG. 4



FIG. 5

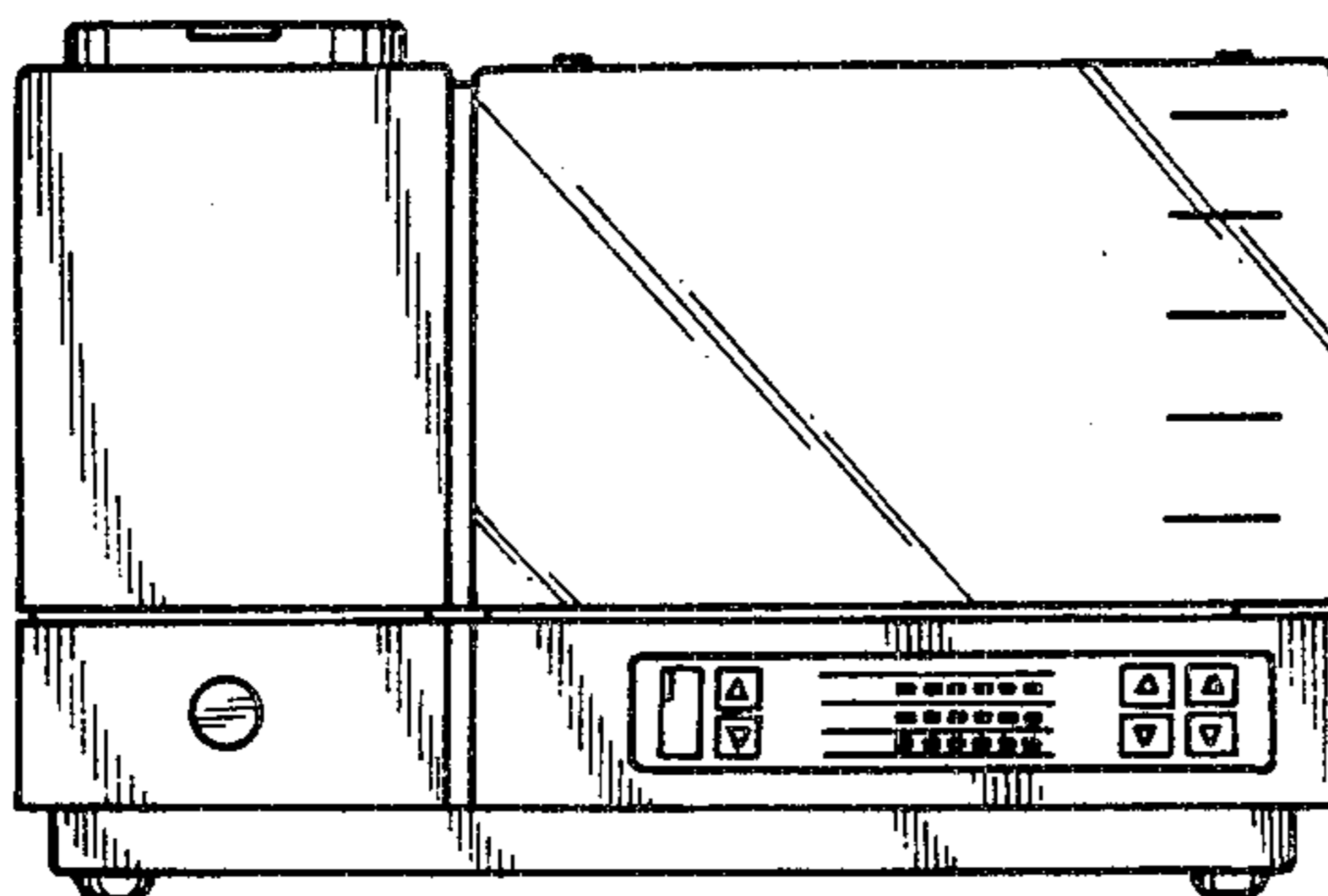


FIG. 6

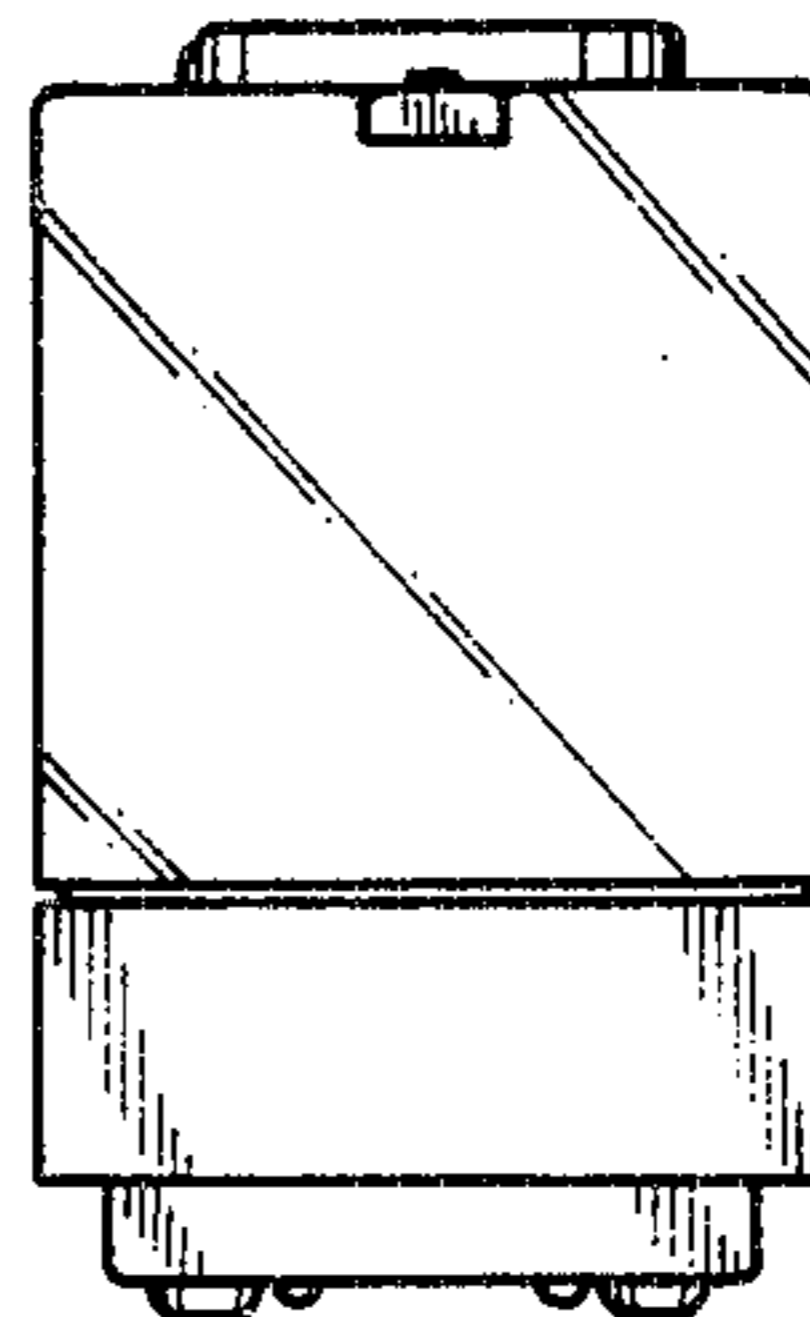


FIG. 7

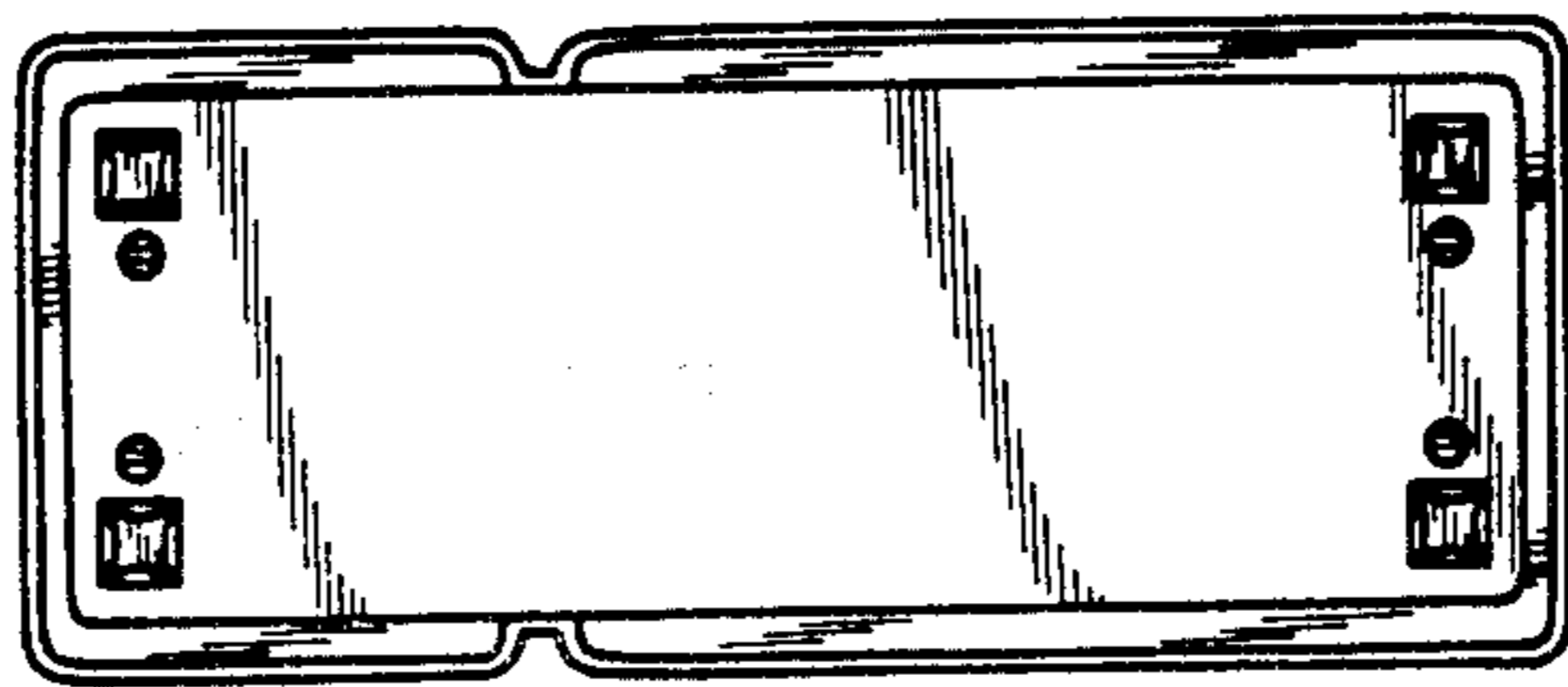


FIG. 8

