

[54] **FULL-FACE FIREPLACE INSERT**

[75] Inventor: **Richard D. Craver, Orrville, Ohio**

[73] Assignee: **Orrville Products, Inc., Orrville, Ohio**

[\*] Notice: The portion of the term of this patent subsequent to Mar. 26, 1999 has been disclaimed.

[\*\*] Term: **14 Years**

[21] Appl. No.: **730,176**

[22] Filed: **May 3, 1985**

[52] U.S. Cl. .... **D23/94**

[58] Field of Search ..... **D23/92-97, D23/127, 128; 126/58, 60-66, 120, 121, 123, 126, 138, 139, 141, 190, 200, 202**

[56] **References Cited**

**U.S. PATENT DOCUMENTS**

D. 261,922	11/1981	Mariager et al. ....	23/95
D. 262,135	12/1981	Halls .....	23/94
D. 262,308	12/1981	Christophel .....	23/94
D. 264,496	5/1982	Larsen .....	23/72
D. 264,621	5/1982	Becker, Jr. ....	23/94
D. 265,237	6/1982	Beck et al. ....	23/94
D. 272,176	1/1984	Chastain, Jr. ....	23/93
D. 278,179	3/1985	Craver .....	23/92
1,309,024	7/1919	Forbes .	
1,336,700	4/1920	Johnston .	
1,546,503	7/1925	Meier .	
2,048,675	7/1936	Baruch et al. ....	126/132
2,196,934	4/1940	Morgan .....	126/120

2,791,213	5/1957	Goulding, Sr. ....	126/123
4,015,581	4/1977	Martenson .....	126/121
4,129,113	12/1978	Bergstrom .....	126/121
4,263,889	4/1981	Martenson .....	126/123
4,282,855	8/1981	Perry .....	126/121
4,305,373	12/1981	Martenson .....	126/121
4,354,480	10/1982	Henderson et al. ....	126/123
4,375,803	3/1983	Love .....	126/121
4,441,482	4/1984	Luscombe .....	126/123

**FOREIGN PATENT DOCUMENTS**

3140499 10/1981 Fed. Rep. of Germany .

**OTHER PUBLICATIONS**

Brochure (undated), F.-X Drolet Inc.-Energy Division.

Brochure (undated), entitled "Firenymph Insert".

Brochure (undated), Vulcan Fabricating Co., Inc.

*Primary Examiner*—Catherine E. Kemper

*Attorney, Agent, or Firm*—Body, Vickers & Daniels

[57] **CLAIM**

The ornamental design of the full-face fireplace insert, as shown and described.

**DESCRIPTION**

FIG. 1 is a perspective view of a full-face fireplace insert showing my new design;

FIG. 2 is a plan view thereof;

FIG. 3 is a front elevational view thereof;

FIG. 4 is a right elevational view thereof; and,

FIG. 5 is a front elevational view of a second embodiment of a full-face fireplace insert.

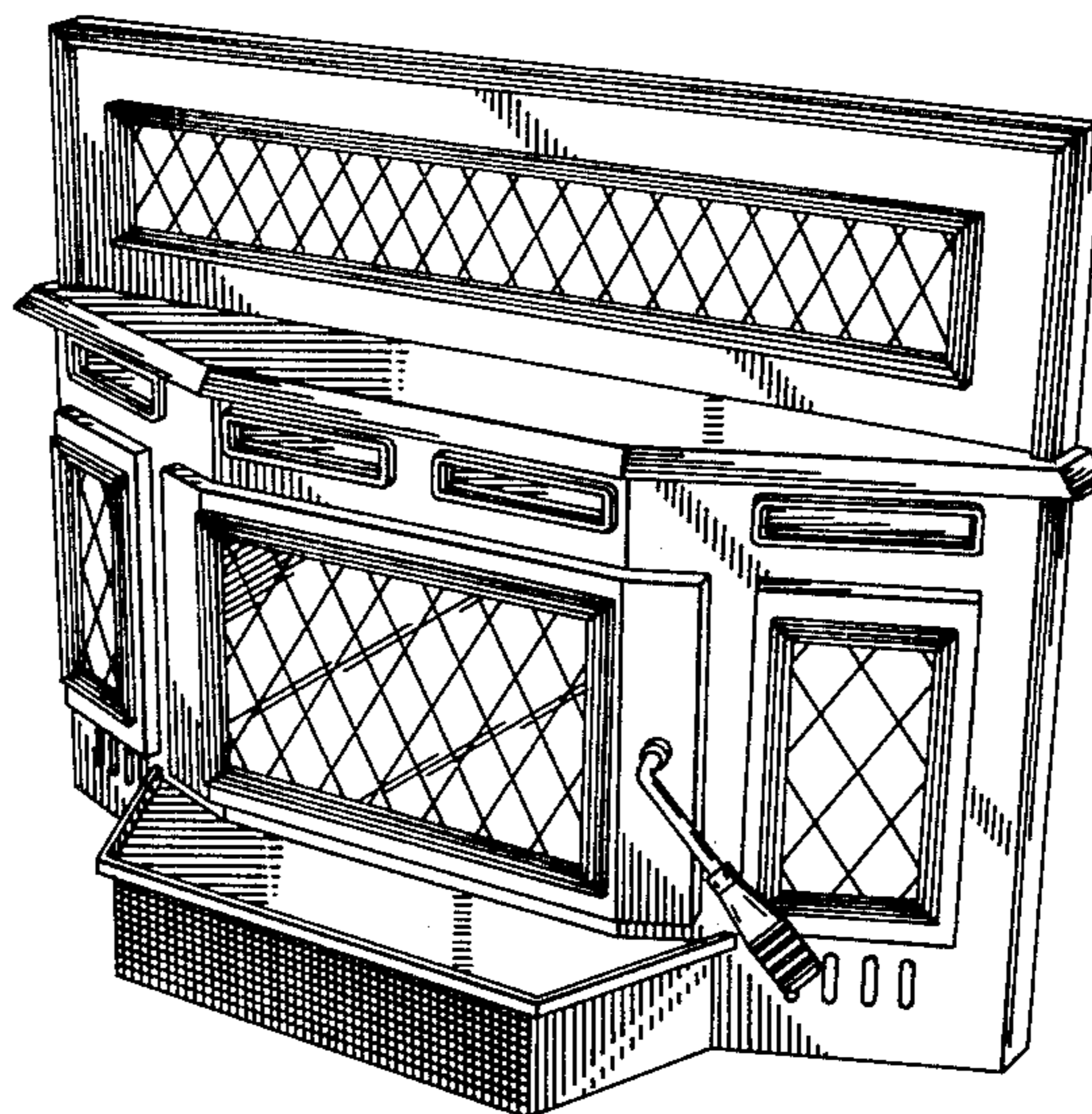


FIG. 1

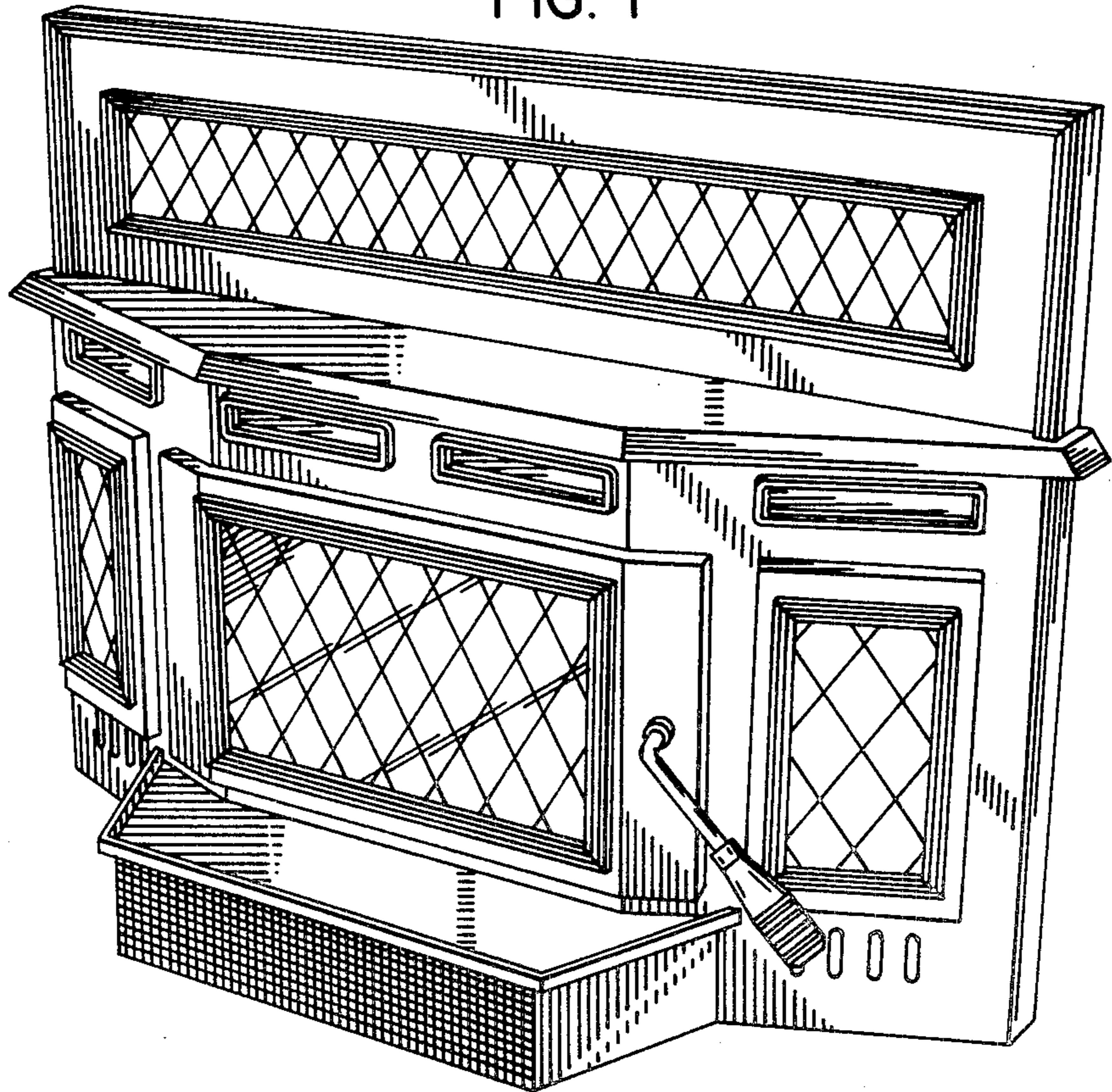


FIG. 2

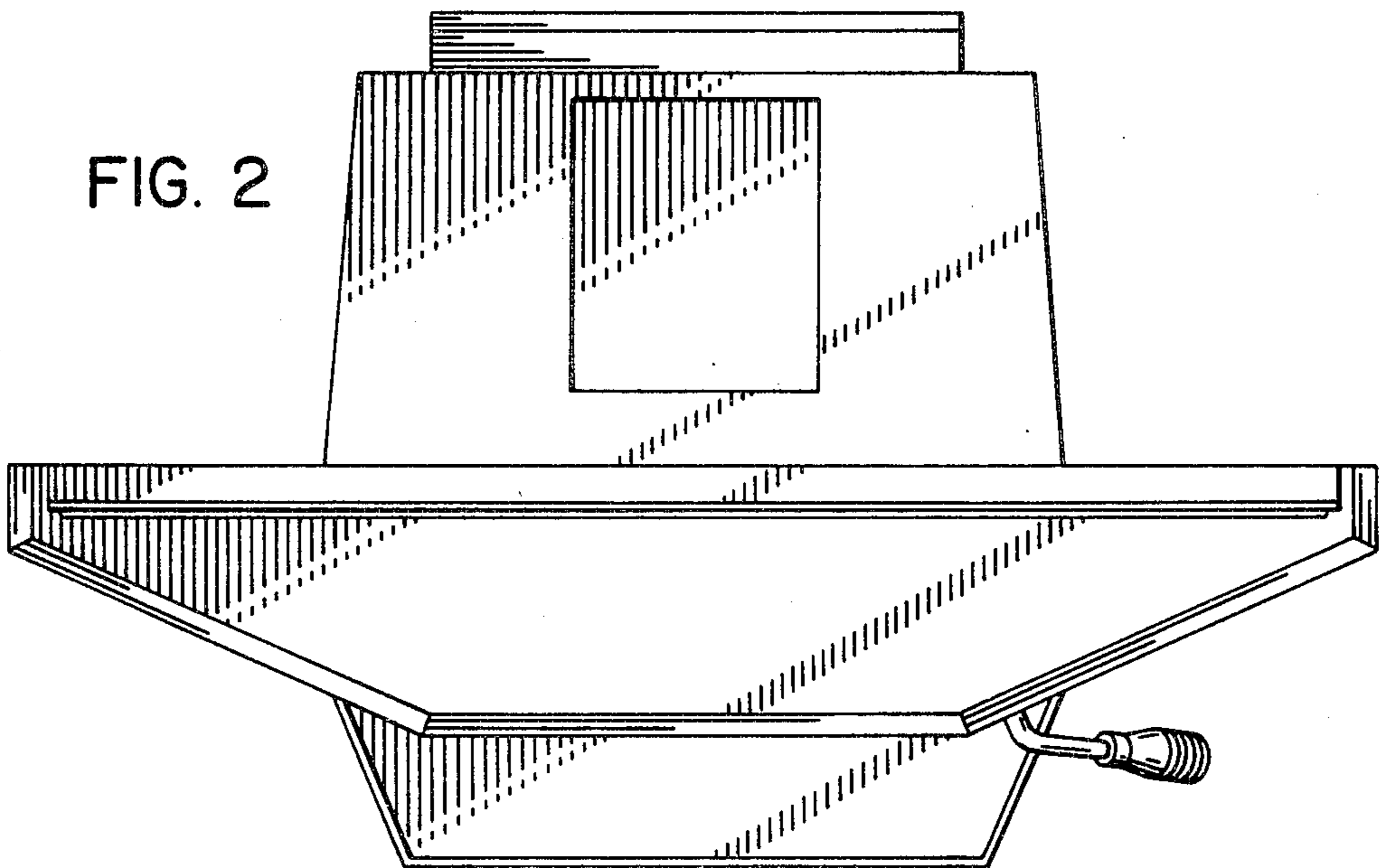




FIG. 3

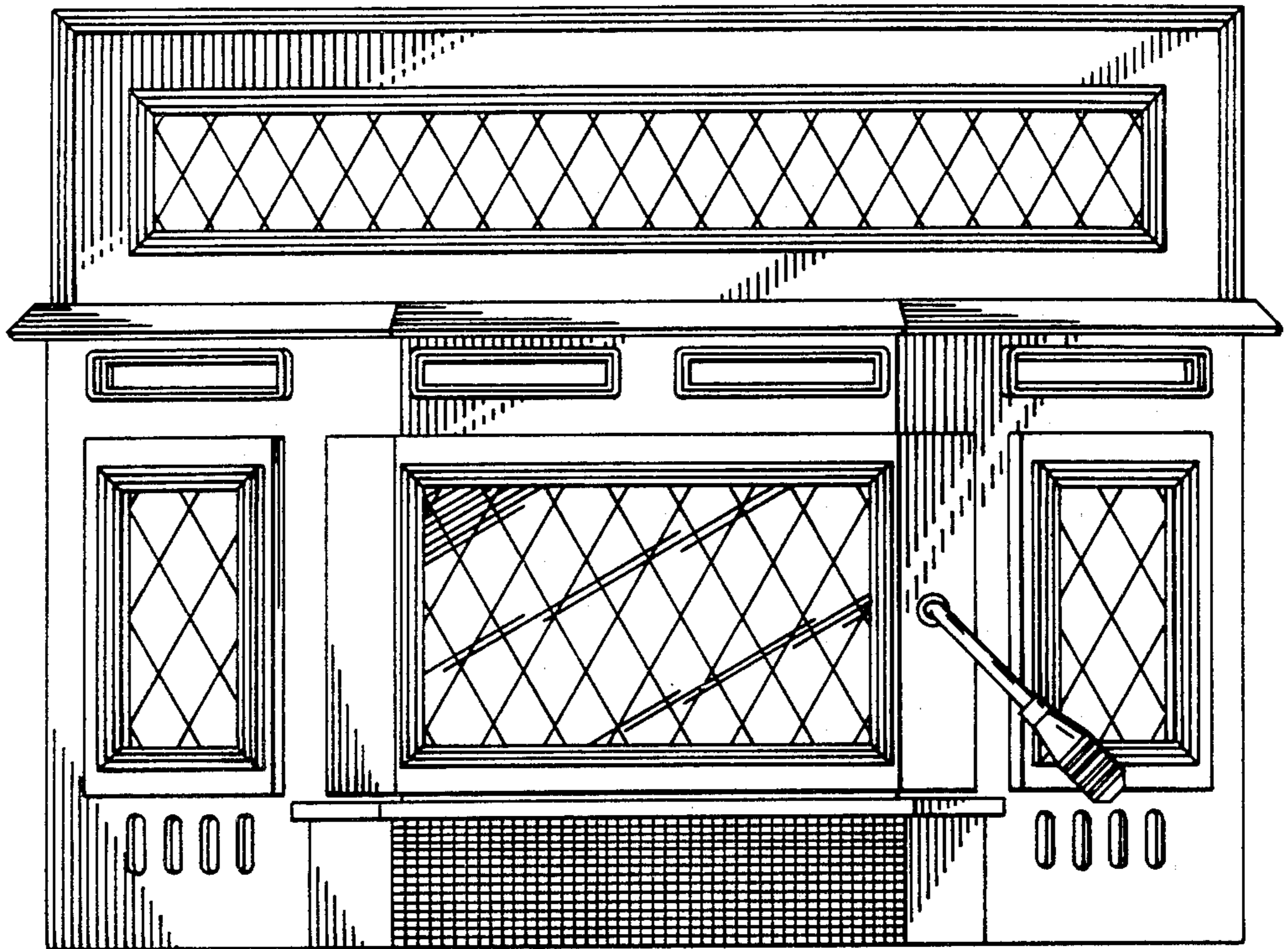
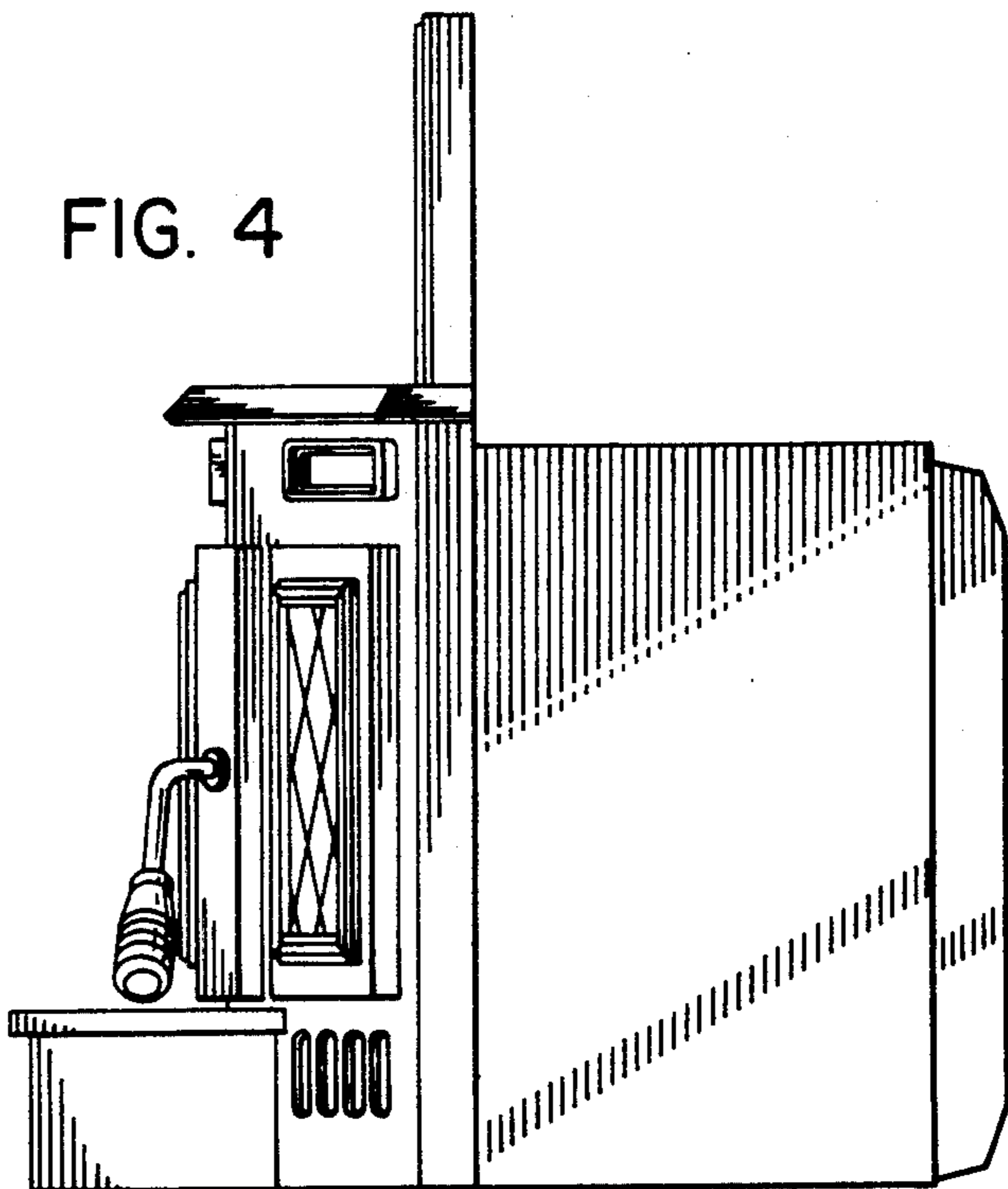


FIG. 4



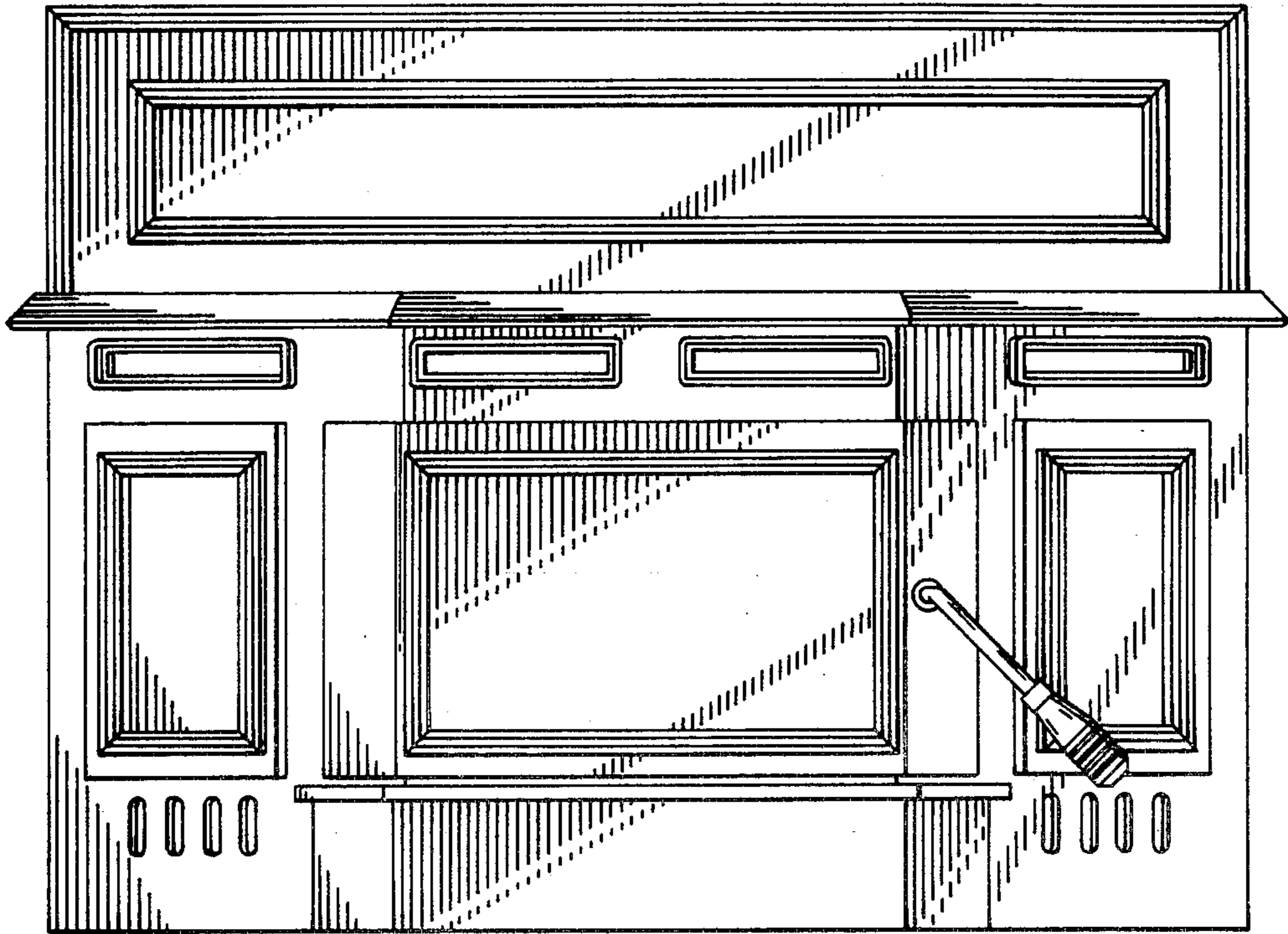


FIG. 5