

- [54] COMBINED SEAT AND COVER FOR A WATER CLOSET OR SIMILAR ARTICLE
- [75] Inventor: Henry M. Stairs, Jr., Neshanic, N.J.
- [73] Assignee: American Standard Inc., New York, N.Y.
- [**] Term: 14 Years
- [21] Appl. No.: 676,118
- [22] Filed: Nov. 29, 1984
- [52] U.S. Cl. D23/71
- [58] Field of Search D23/71; 4/234-242

3,786,522	1/1974	Kira	4/237
3,802,000	4/1974	Waldon	4/236
4,342,124	8/1982	Paredes	4/234

OTHER PUBLICATIONS

Model 55 dated 4/13/49.

Primary Examiner—James R. Largen
Attorney, Agent, or Firm—James J. Salerno, Jr.; Robert G. Crooks; John P. Sinnott

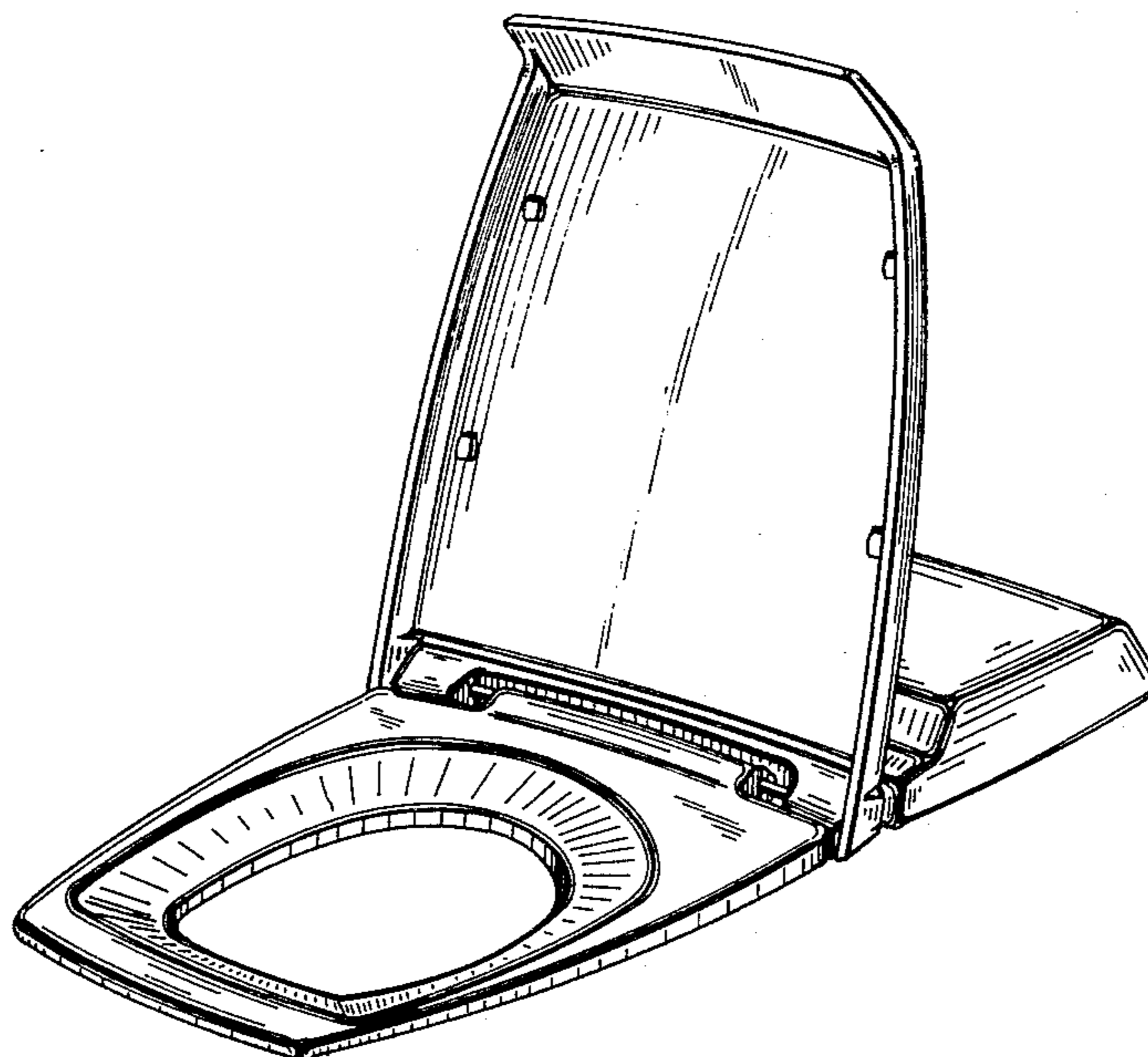
[57] CLAIM

The ornamental design for a combined seat and cover for a water closet or similar article, substantially as shown and described.

DESCRIPTION

FIG. 1 is a top plan view of a combined seat and cover for a water closet embodying my new design; FIG. 2 is a right side elevational view thereof; the left side being a mirror image of the right side shown; FIG. 3 is a front elevational view thereof; FIG. 4 is a rear elevational view thereof; FIG. 5 is a bottom plan view thereof, and FIG. 6 is an isometric view thereof showing the cover in an open position.

- [56] References Cited
- U.S. PATENT DOCUMENTS
- D. 98,113 1/1936 Groeniger D23/71
- D. 169,590 5/1953 Hauser D23/71
- D. 237,969 12/1975 Firdmann D23/71
- D. 243,183 1/1977 Davis, Jr. D23/71
- D. 261,800 11/1981 Deconick D23/71
- 2,202,668 5/1940 Moore 4/236
- 3,377,633 4/1968 Waldon 4/236
- 3,526,907 11/1967 Stairs 4/236
- 3,590,401 7/1971 Brown 4/236



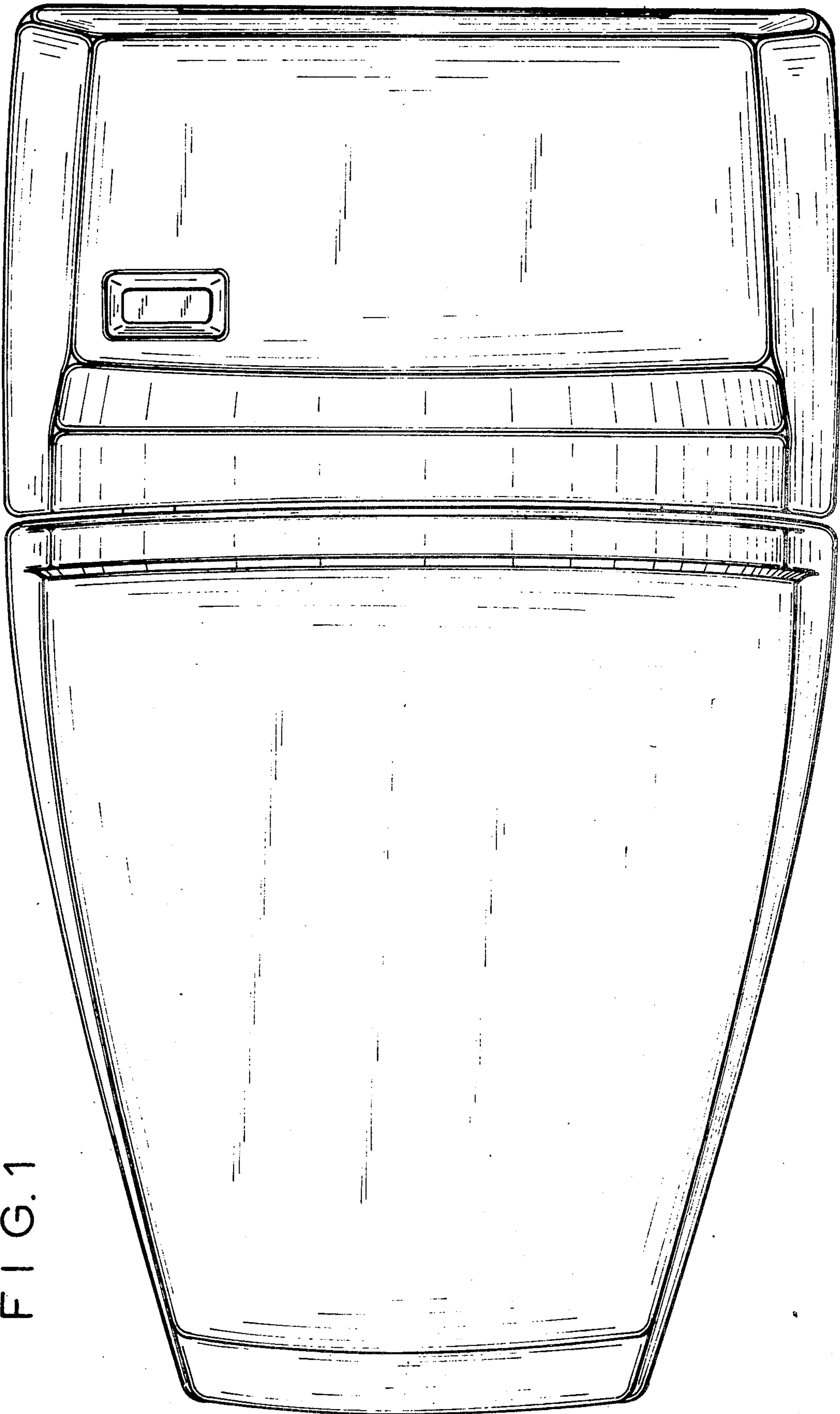


FIG. 1

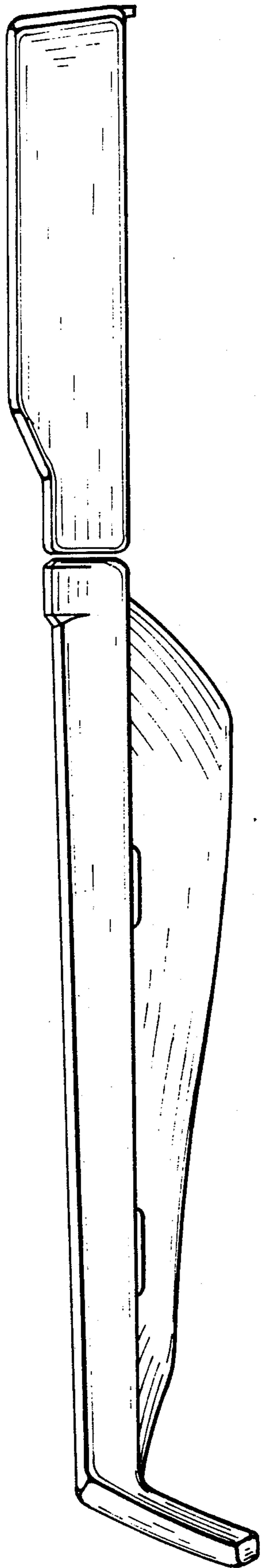


FIG. 2

FIG. 3

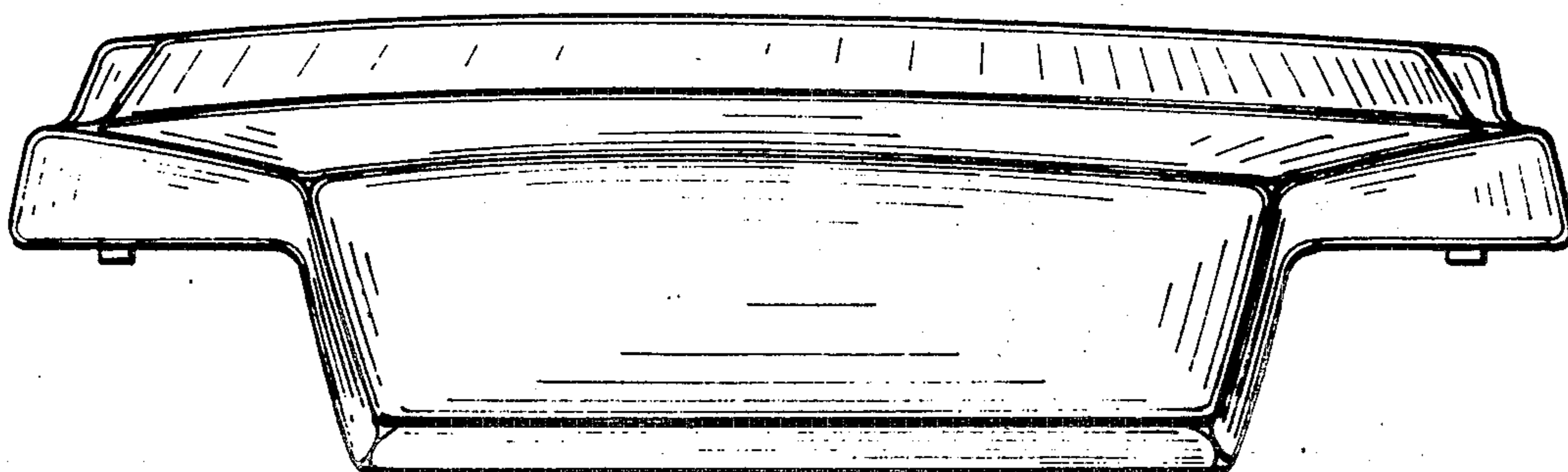
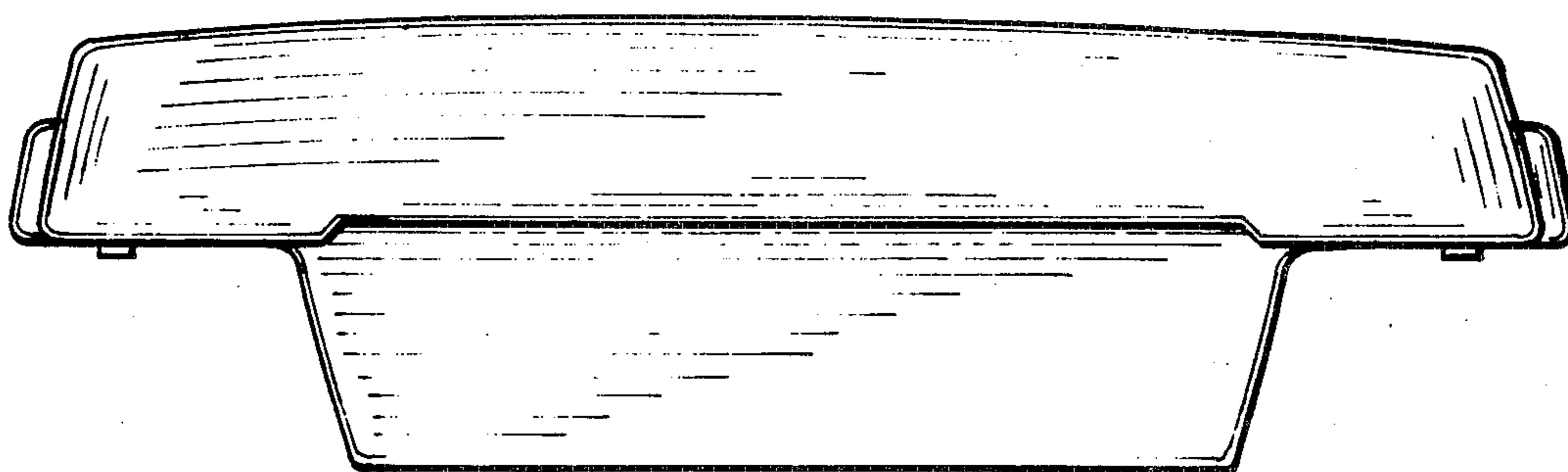


FIG. 4



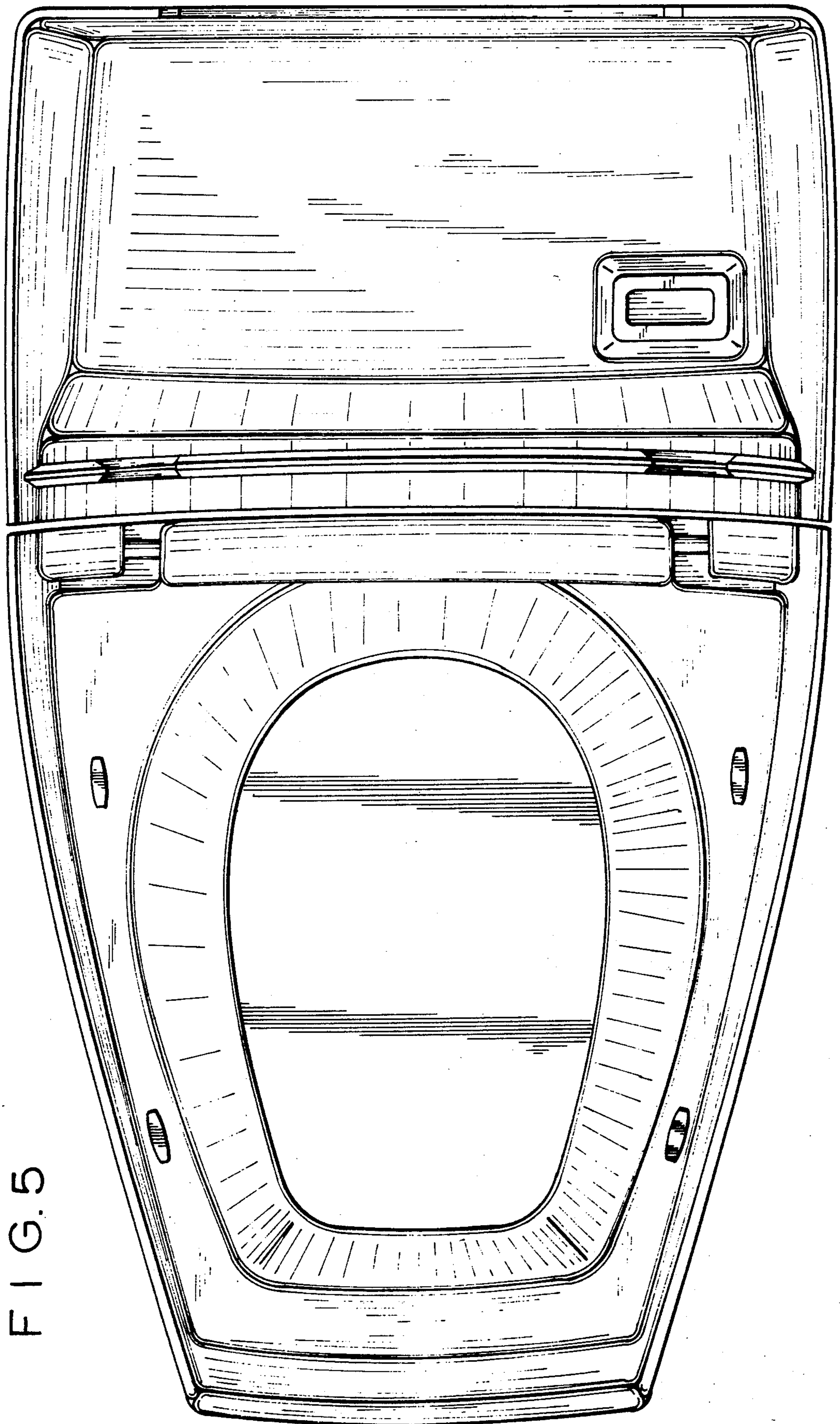


FIG. 5

FIG. 6

