

[54] RECONFIGURABLE TOY CEMENT TRUCK

[75] Inventor: Kouzin Ohno, Tokyo, Japan

[73] Assignee: Takara Co., Ltd., Tokyo, Japan

[\*\*] Term: 14 Years

[21] Appl. No.: 647,232

[22] Filed: Sep. 4, 1984

[30] Foreign Application Priority Data

Mar. 28, 1984 [JP] Japan ..... 59-12033

[52] U.S. Cl. .... D21/138; D21/150; D21/166

[58] Field of Search ..... D21/128, 131, 132, 134, D21/136, 138, 150, 166; 446/71, 72, 76, 77, 94, 97, 383, 381, 487

[56] References Cited

U.S. PATENT DOCUMENTS

D. 222,868	1/1972	Gilford	.....	D21/138
D. 226,013	1/1973	Ogasawara	.....	D21/138
D. 279,307	6/1985	Murakami	.....	D21/136
D. 285,466	9/1986	Ohno	.....	D21/136
4,516,948	5/1985	Obara	.....	446/97

Primary Examiner—Charles A. Rademaker  
Attorney, Agent, or Firm—Price, Gess & Ubell

[57] CLAIM

The ornamental design for a reconfigurable toy cement truck, substantially as shown and described.

DESCRIPTION

FIG. 1 is a side perspective view of a reconfigurable toy cement truck showing my new design;  
 FIG. 2 is a front elevational view thereof;  
 FIG. 3 is a rear elevational view thereof;  
 FIG. 4 is a top plan view thereof;  
 FIG. 5 is a bottom plan view thereof;  
 FIG. 6 is a right side elevational view thereof, the side opposite being a mirror image;  
 FIG. 7 is another side perspective view of the design shown in FIGS. 1 through 6 in a humanoid robot reconfiguration;  
 FIG. 8 is a front elevational view thereof;  
 FIG. 9 is a rear elevational view thereof;  
 FIG. 10 is a top plan view thereof;  
 FIG. 11 is a bottom plan view thereof; and,  
 FIG. 12 is a right side elevational view thereof, the side opposite being a mirror image.

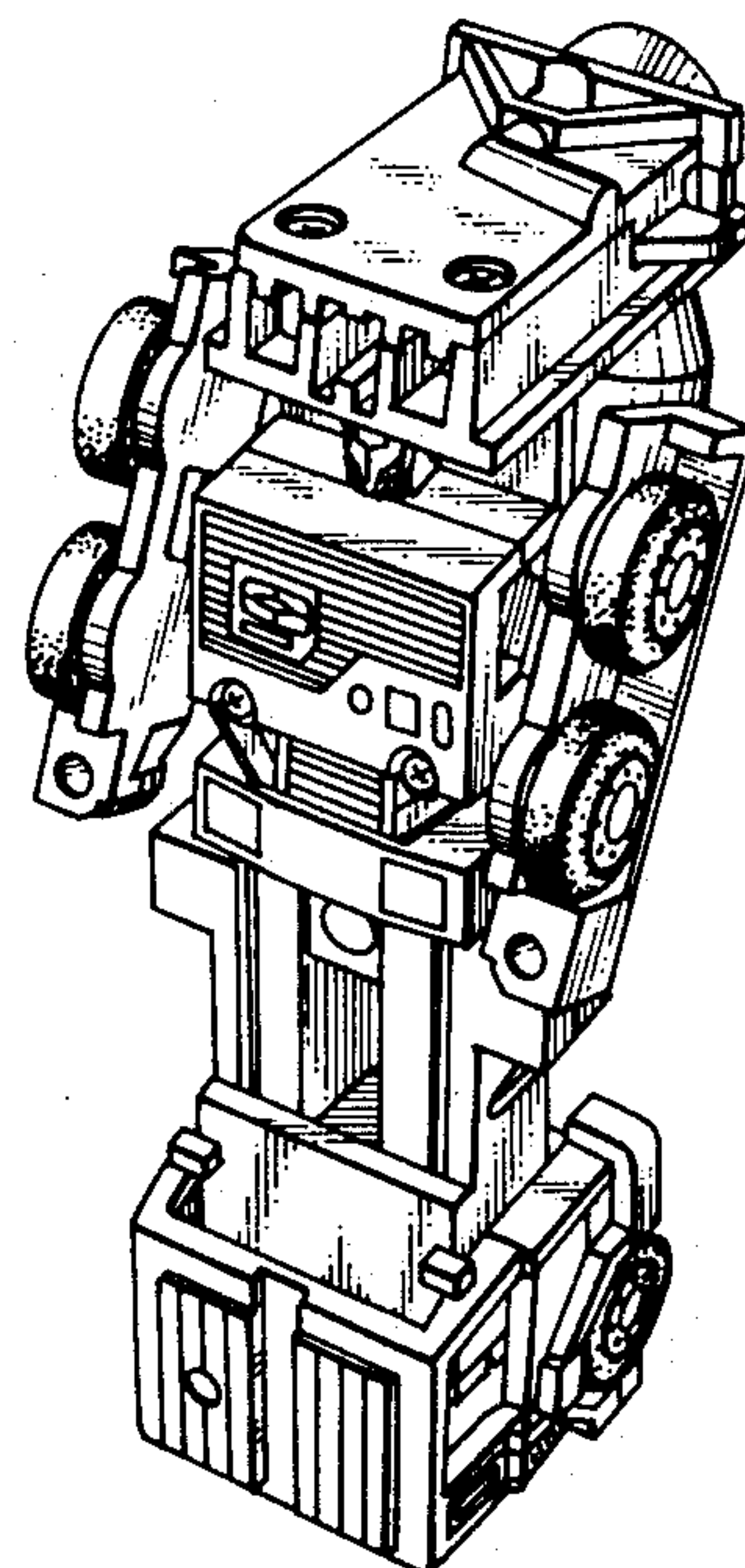
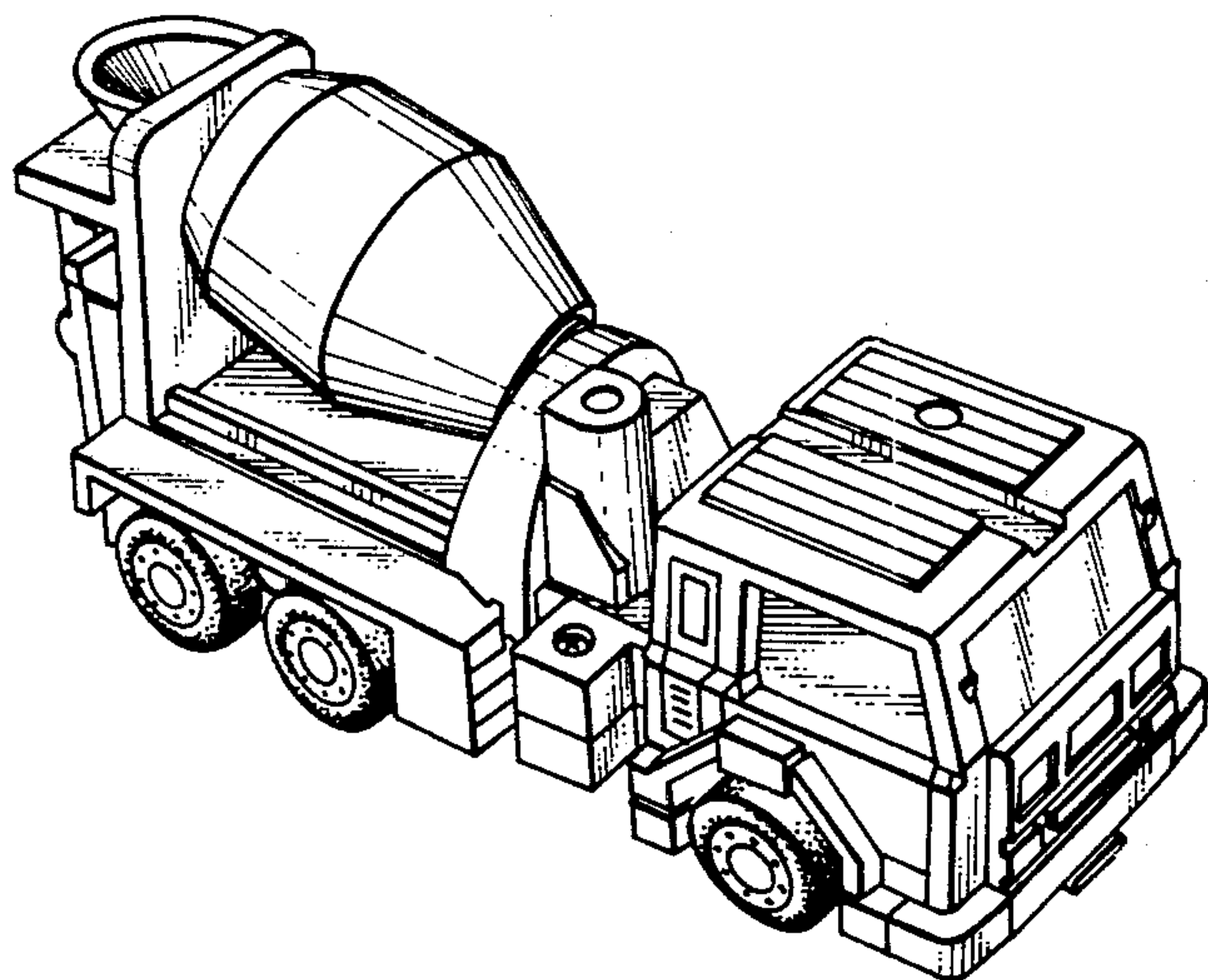


FIG. 1

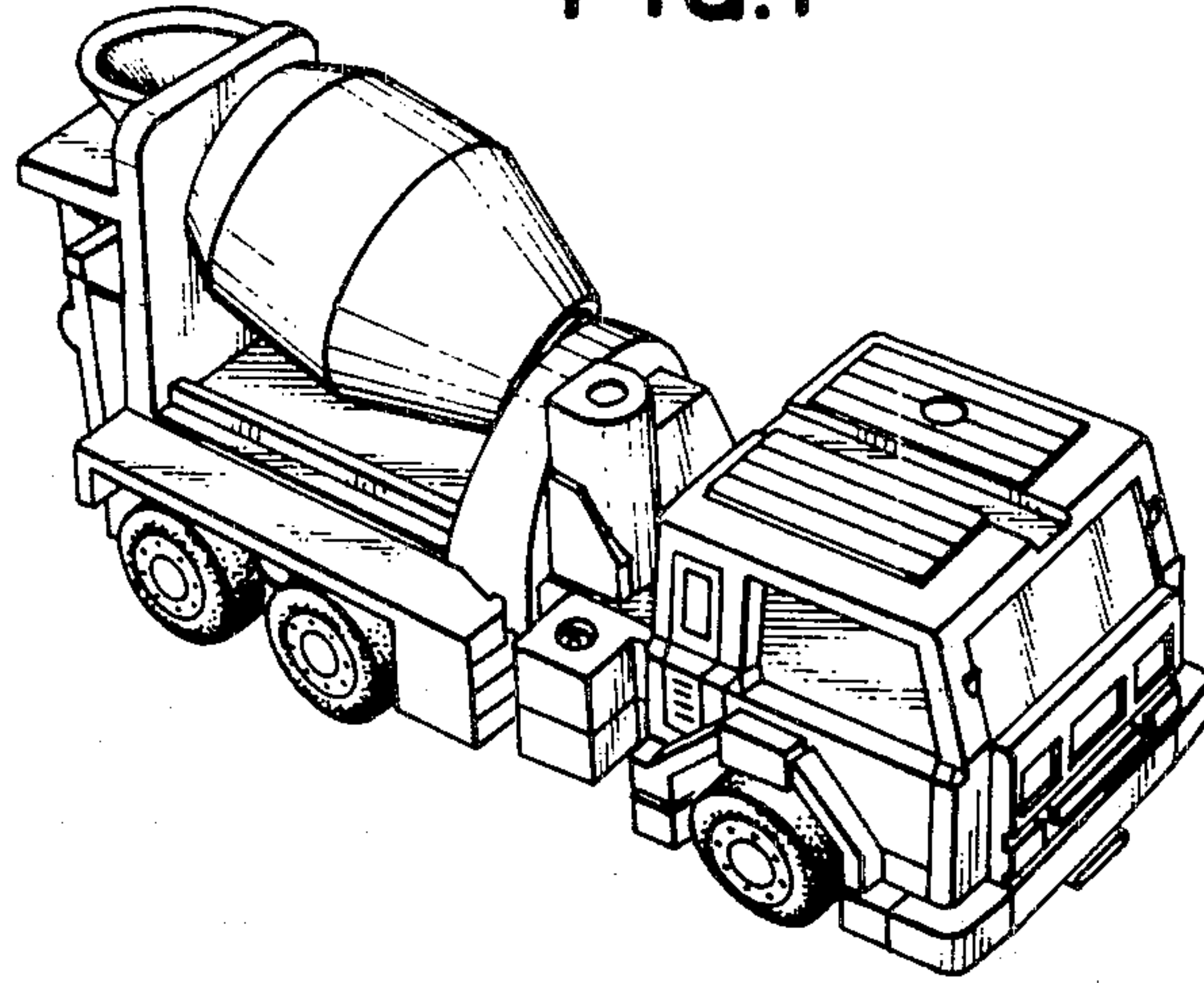


FIG. 2

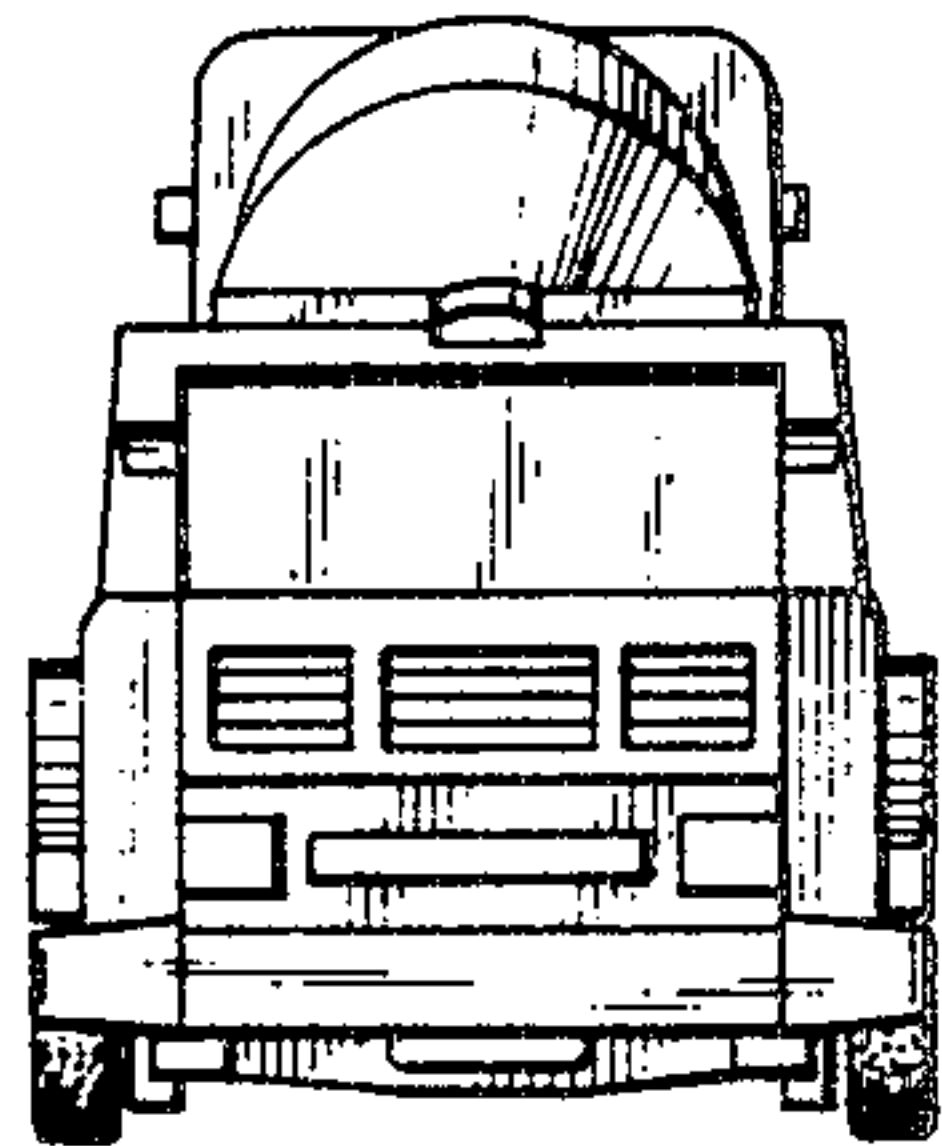


FIG. 3

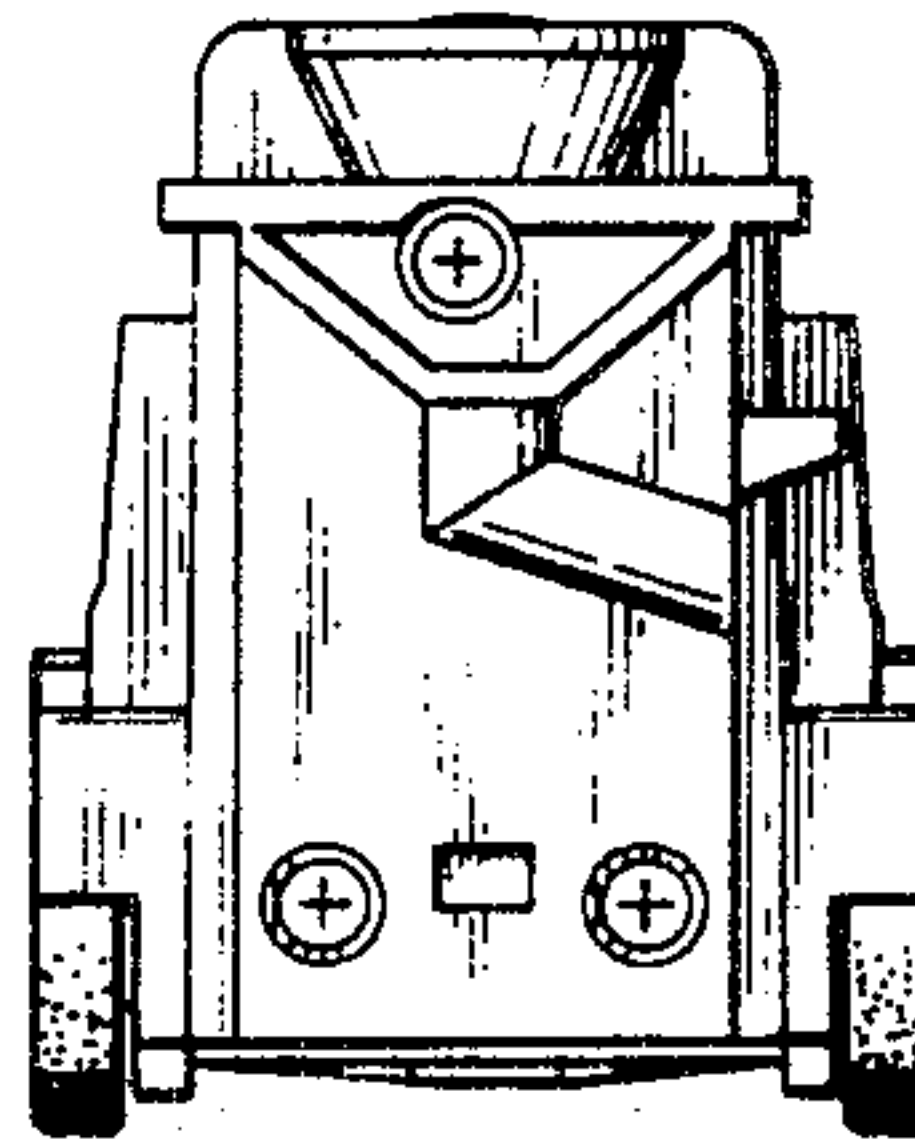


FIG. 4

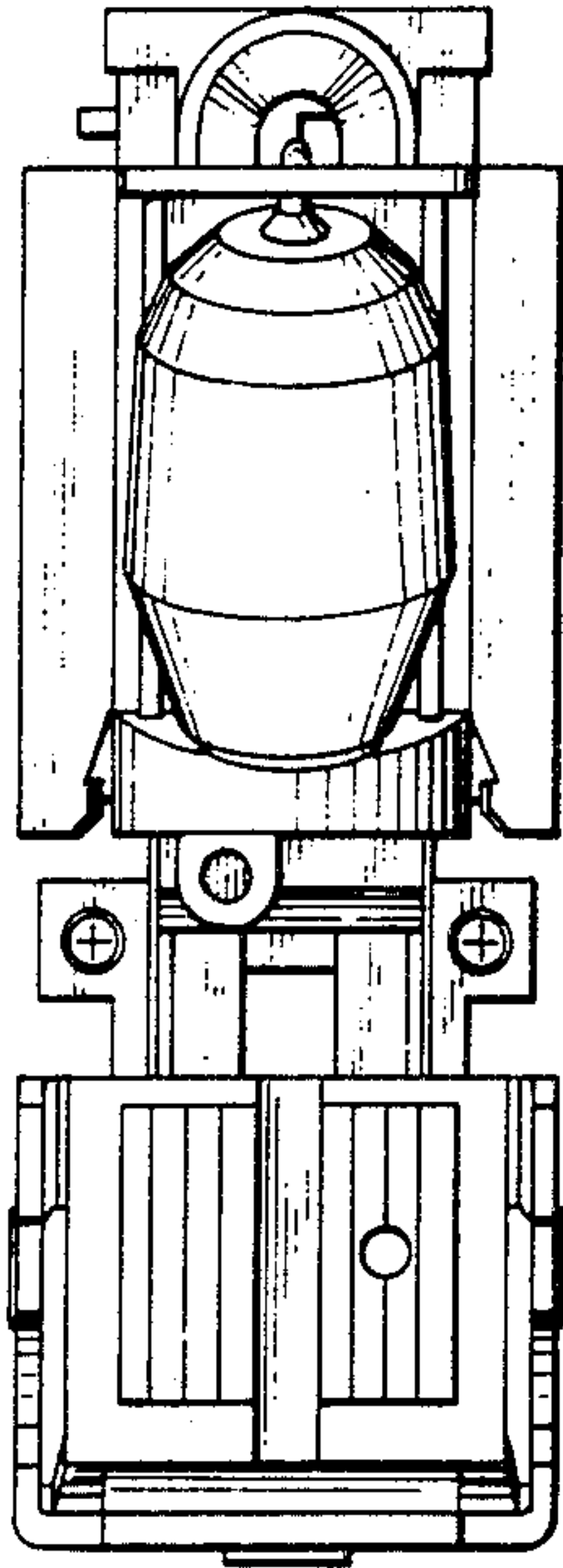


FIG. 5

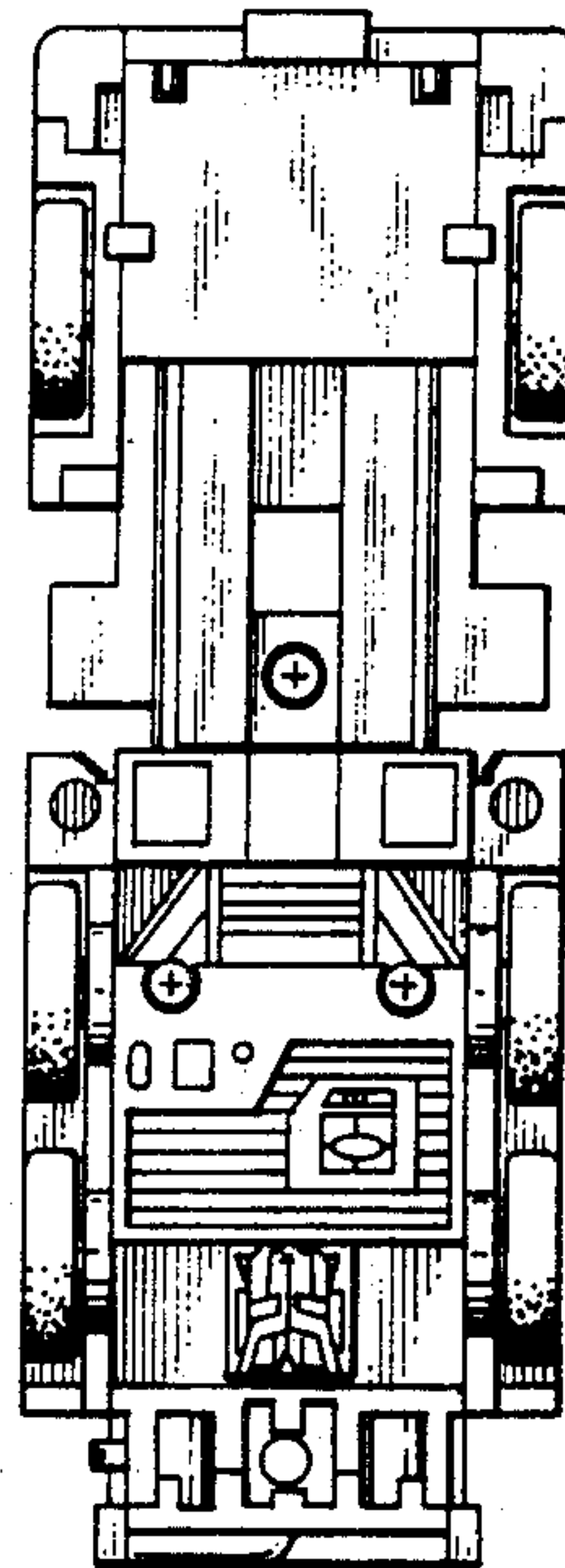


FIG. 6

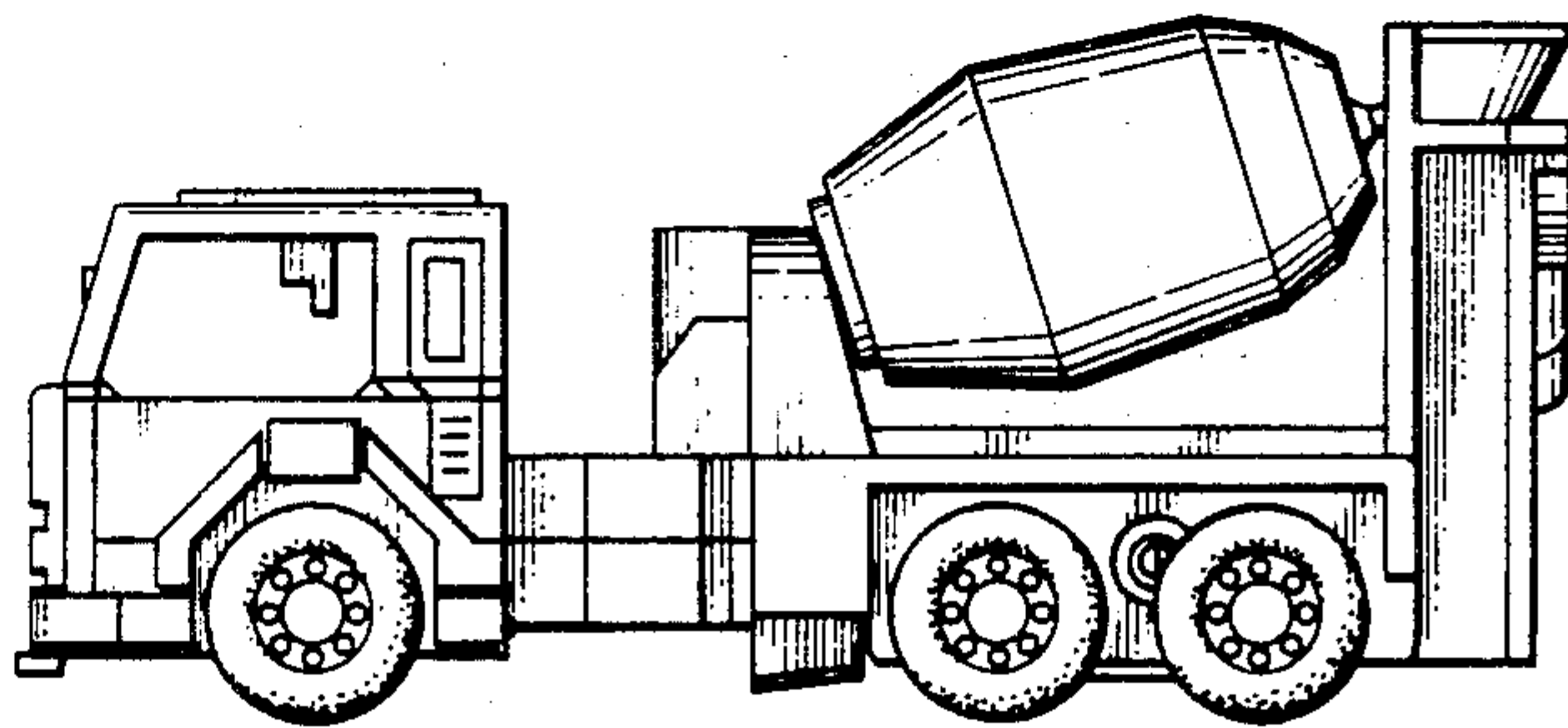




FIG. 9

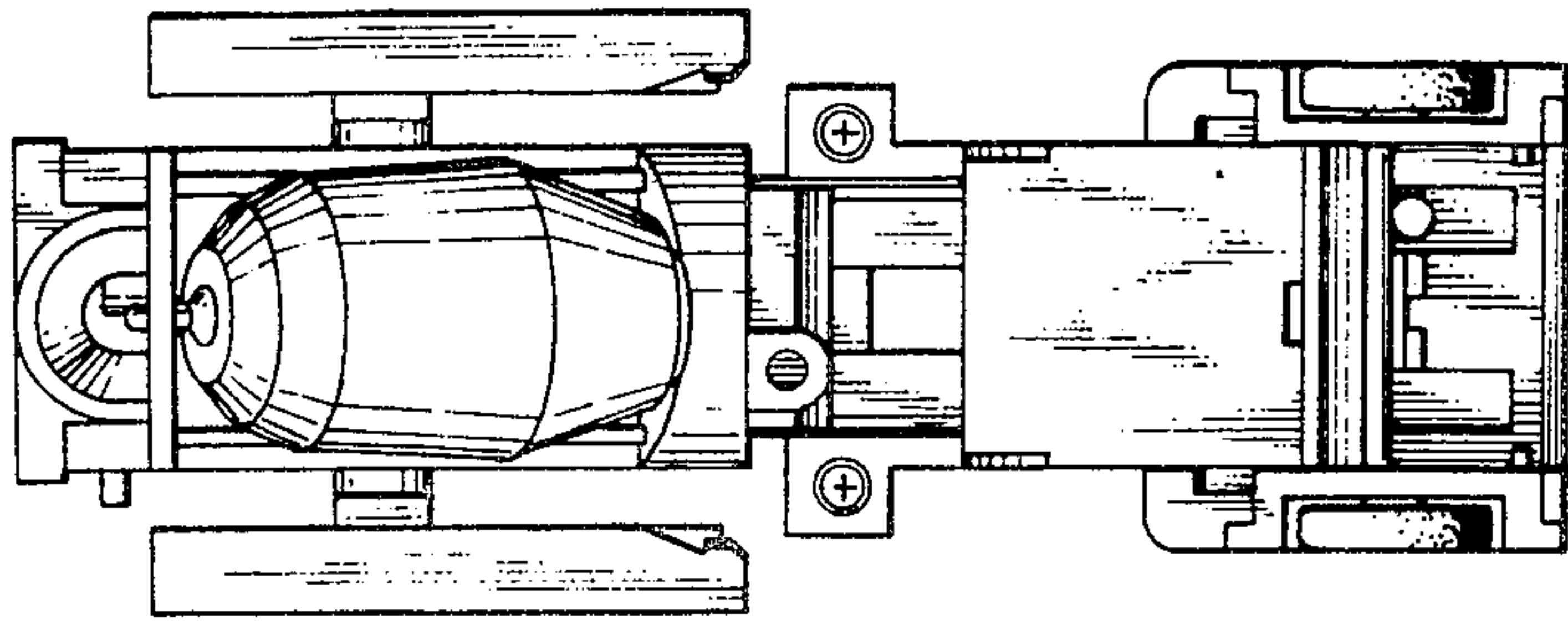


FIG. 8

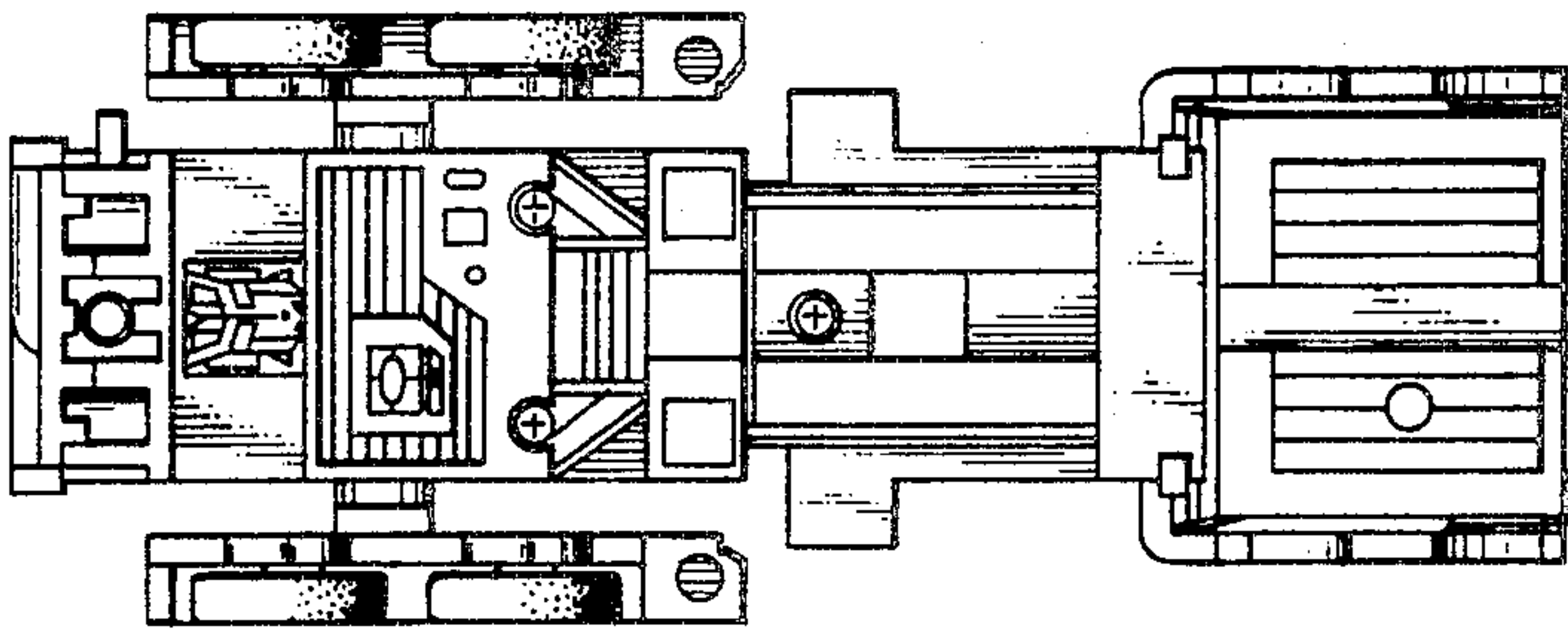


FIG. 7

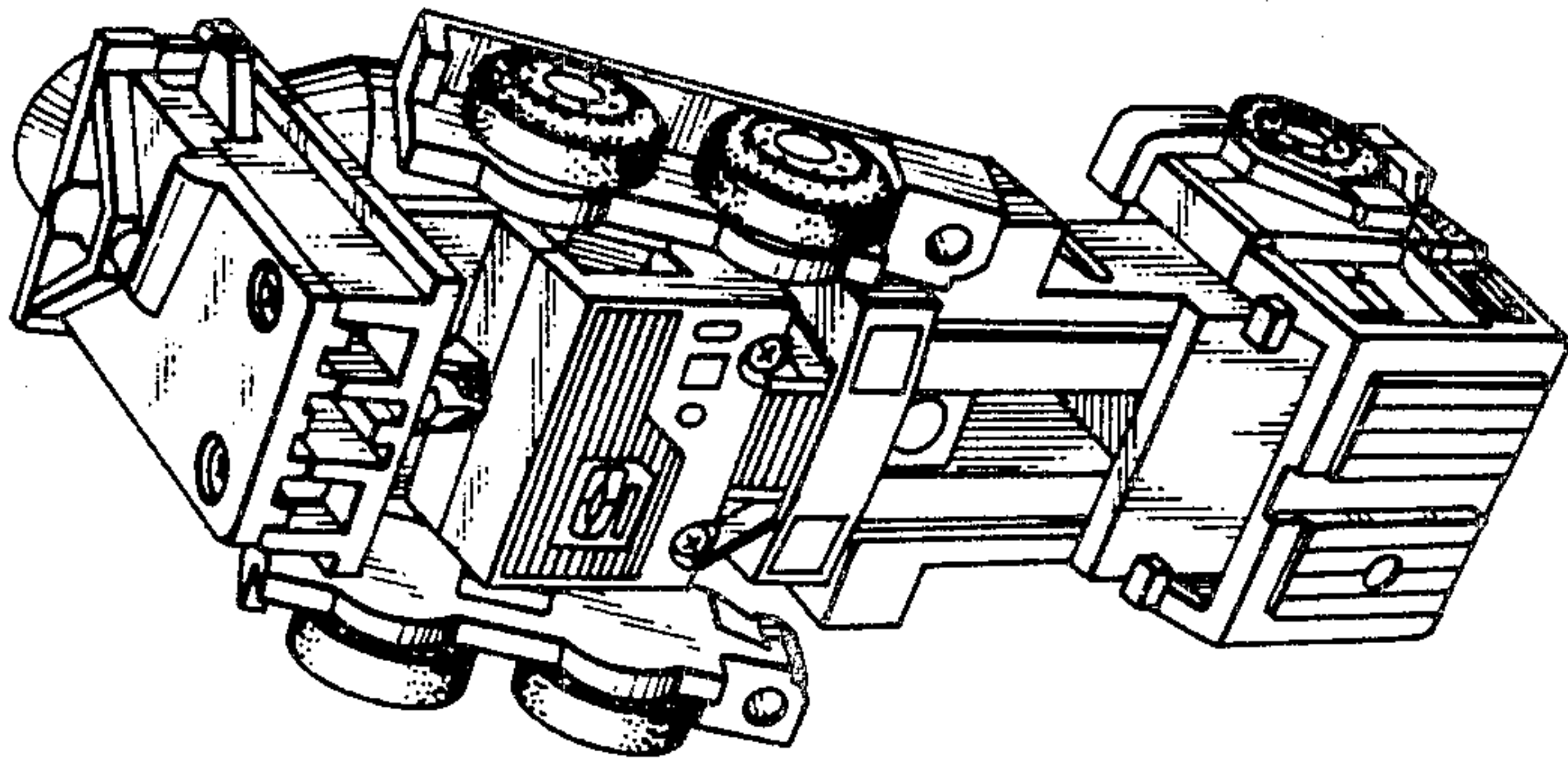


FIG.10

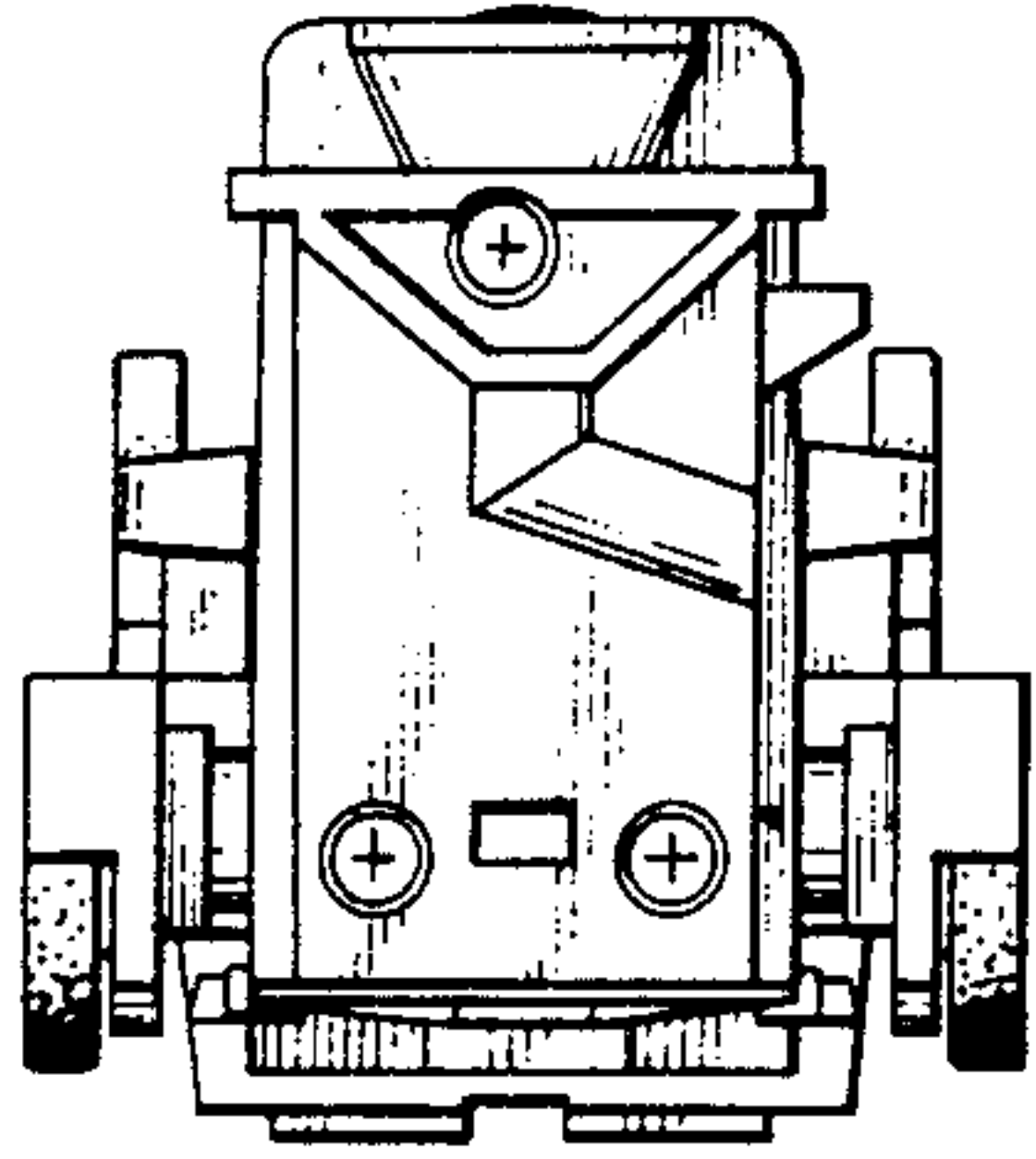


FIG.11

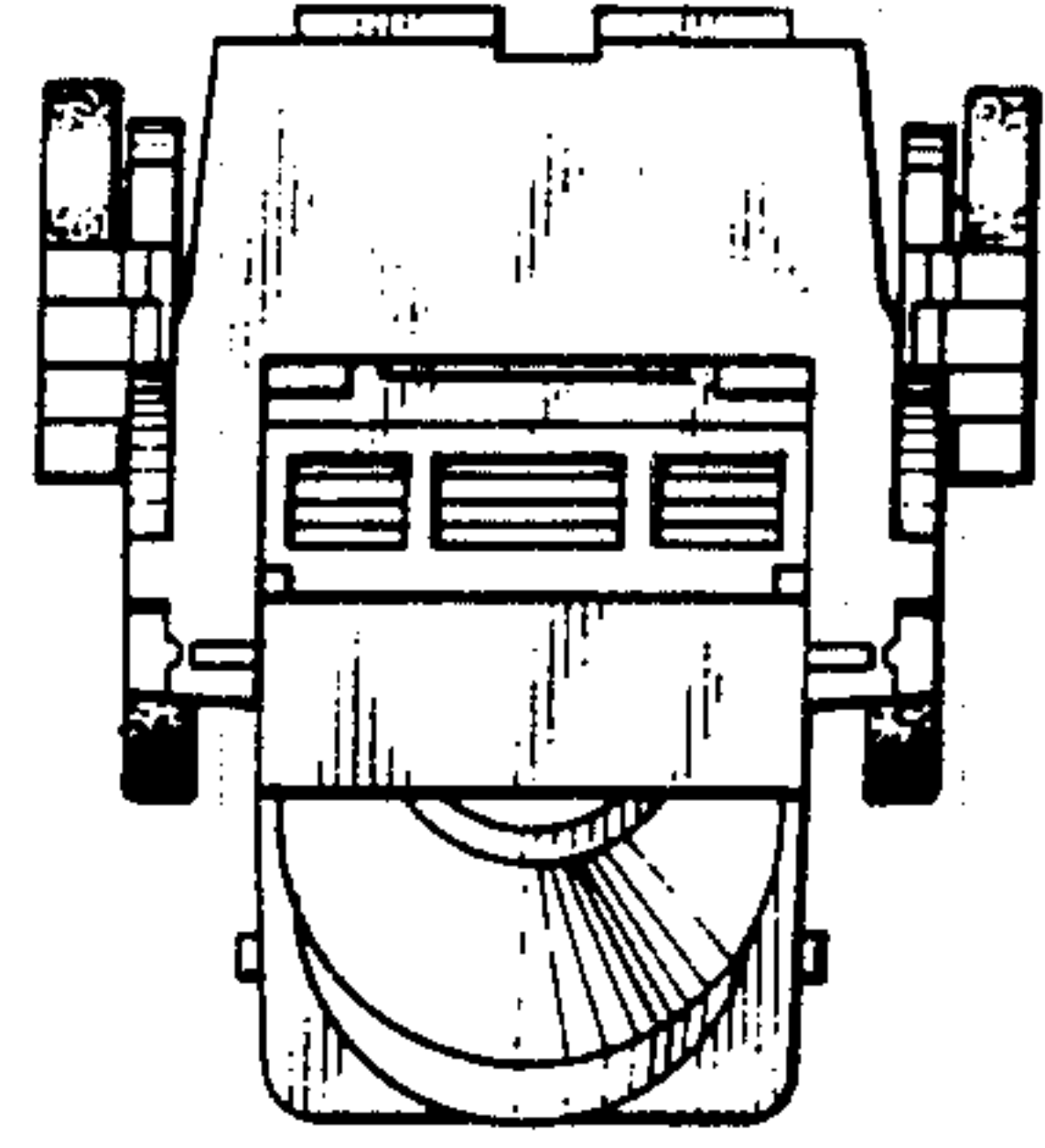


FIG.12

