

[54] PITCHING HORSESHOE

[76] Inventor: Ray P. Donoho, 704 State St., Redding, Calif. 96001

[\*\*] Term: 14 Years

[21] Appl. No.: 580,659

[22] Filed: Feb. 16, 1984

[52] U.S. Cl. .... D21/50

[58] Field of Search ..... D21/50, 4; 273/427

[56] References Cited

U.S. PATENT DOCUMENTS

- D. 213,009 12/1968 Martz ..... D21/50
- 1,646,627 10/1927 Mossman et al. .... 273/427

Primary Examiner—Melvin B. Feifer  
Attorney, Agent, or Firm—Leonard D. Schappert

[57] CLAIM

The ornamental design for a pitching horseshoe, substantially as shown and described.

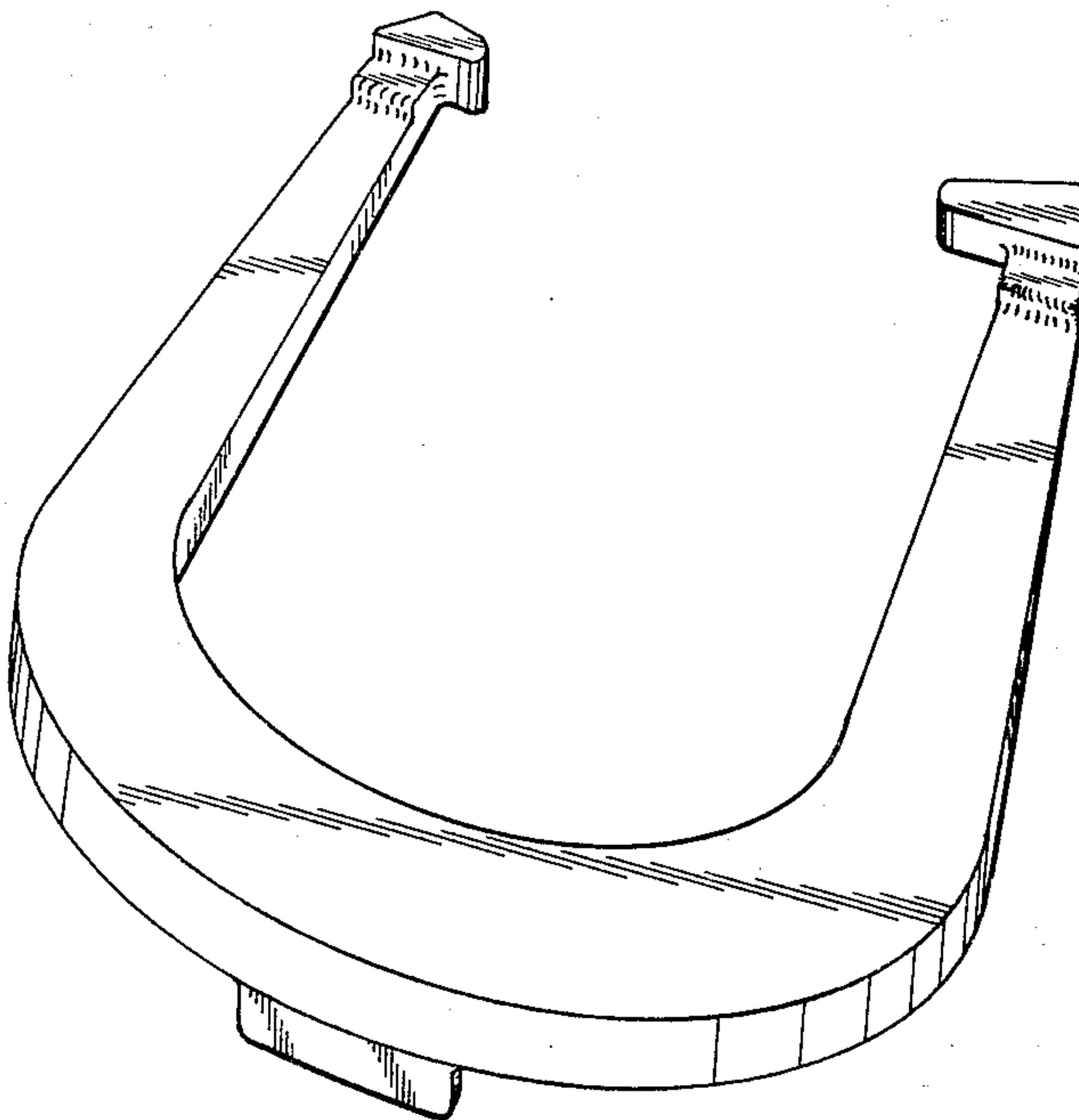
DESCRIPTION

FIG. 1 is a perspective view of a pitching horseshoe showing my new design.

FIG. 2 is a side elevation thereof.

FIG. 3 is an end elevation taken from the right of FIG. 2.

The side opposite FIG. 1 is unornamented. The characteristic feature of my design resides in the calkers being on the opposite side of the horseshow from the toe plate.



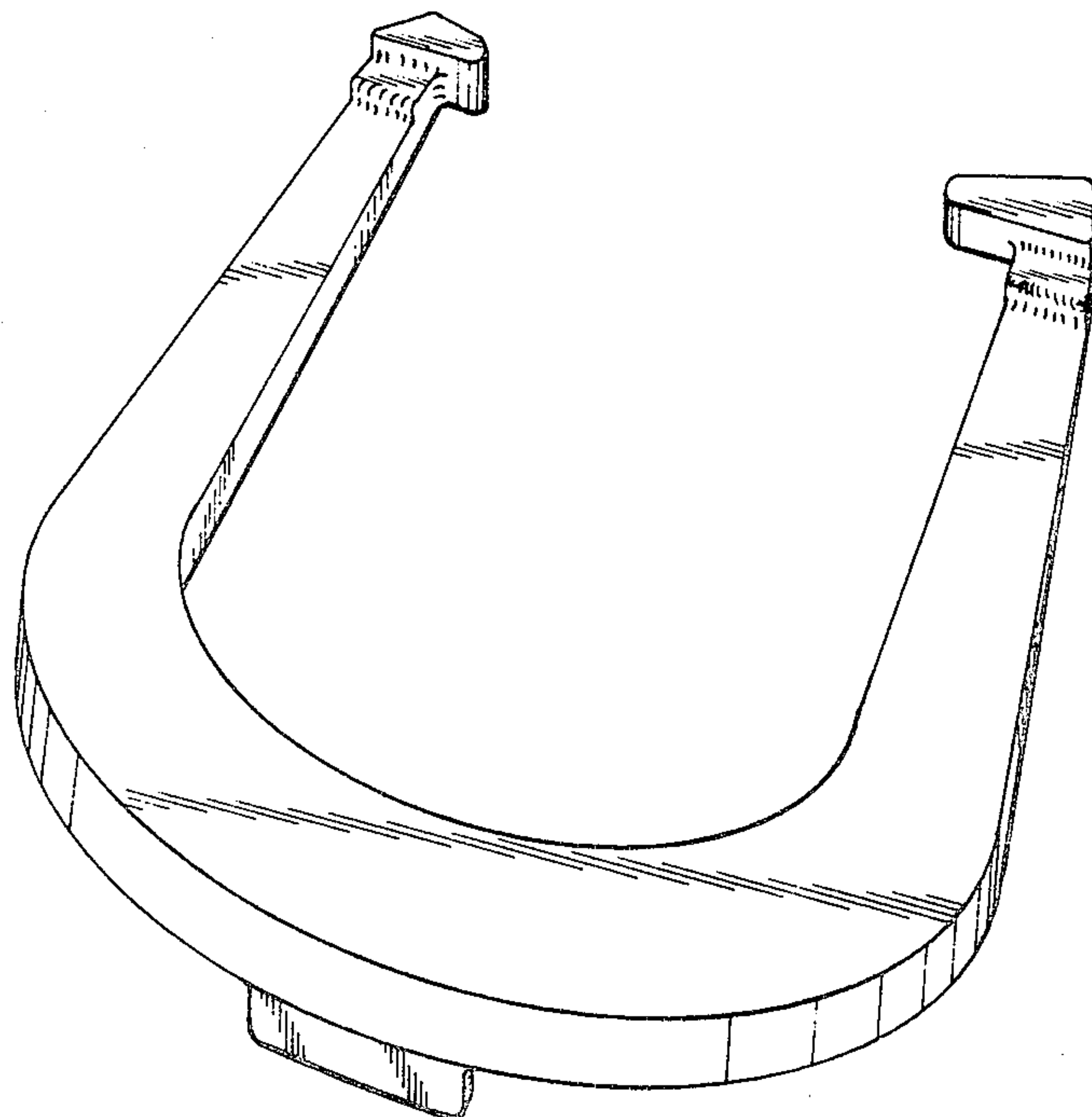


FIG. 1

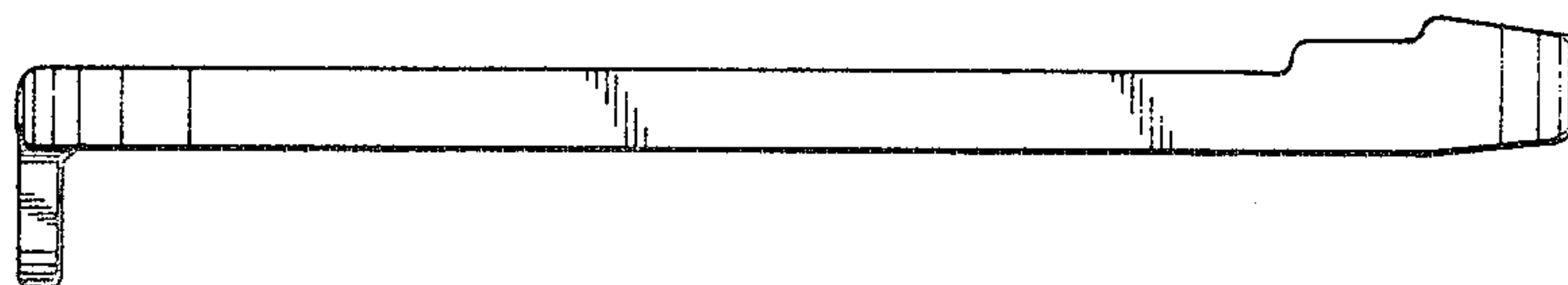


FIG. 2



FIG. 3