

[54] DATA BINDER HANGER

[75] Inventors: Peter G. Kane, Tenafly; Frederick J. LeMond, Oakland; Charles H. Biddlecom, Lake Hiawatha, all of N.J.

[73] Assignee: Moore Business Forms, Inc., Grand Island, N.Y.

[**] Term: 14 Years

[21] Appl. No.: 606,925

[22] Filed: May 4, 1984

[52] U.S. Cl. D19/91; D19/32

[58] Field of Search D19/26, 27, 32, 86, D19/90, 91; 211/46; 312/184

[56] References Cited

U.S. PATENT DOCUMENTS

- D. 240,395 7/1976 Feldmahr D19/90
- D. 240,422 7/1976 Feldmahr D19/90
- D. 248,484 7/1978 Hedstrom et al. D19/75

- D. 250,715 1/1979 Hedstrom et al. D19/75
- D. 268,348 3/1983 Beleckis D19/75

Primary Examiner—George P. Word
Attorney, Agent, or Firm—Allegretti, Newitt, Witcoff & McAndrews, Ltd.

[57] CLAIM

The ornamental design for a data binder hanger, as shown and described.

DESCRIPTION

FIG. 1 is a perspective view of a data binder hanger showing our new design, the environmental structure shown in dotted lines being for illustrative purposes only and not a part of the design claimed; FIG. 2 is an enlarged scale perspective view of the data binder hanger; FIG. 3 is a side elevational view thereof; FIG. 4 is a top plan view thereof; FIG. 5 is a bottom plan view thereof; FIG. 6 is a left end elevational view thereof; and FIG. 7 is a right end elevational view thereof.

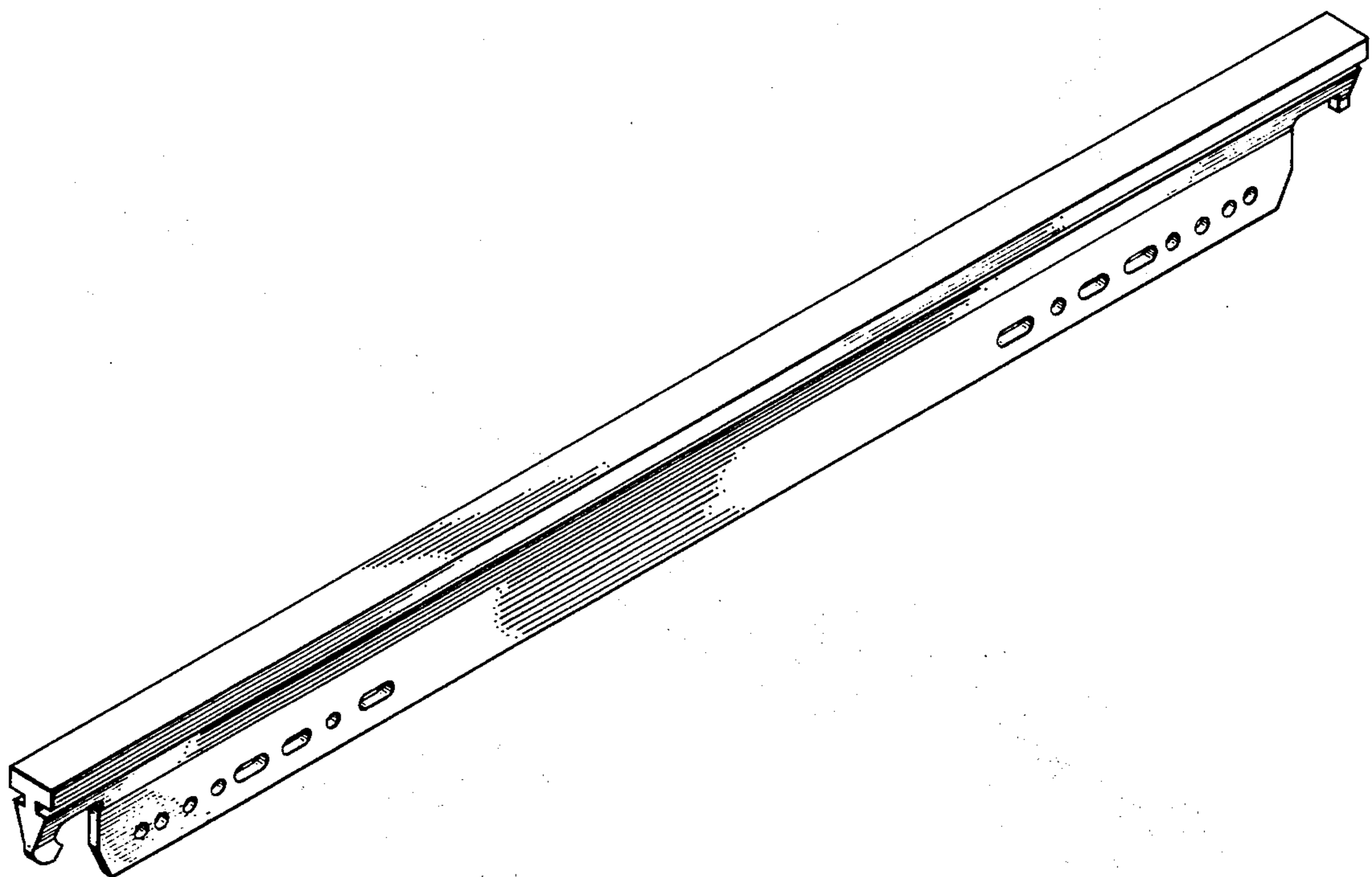


Fig. 1

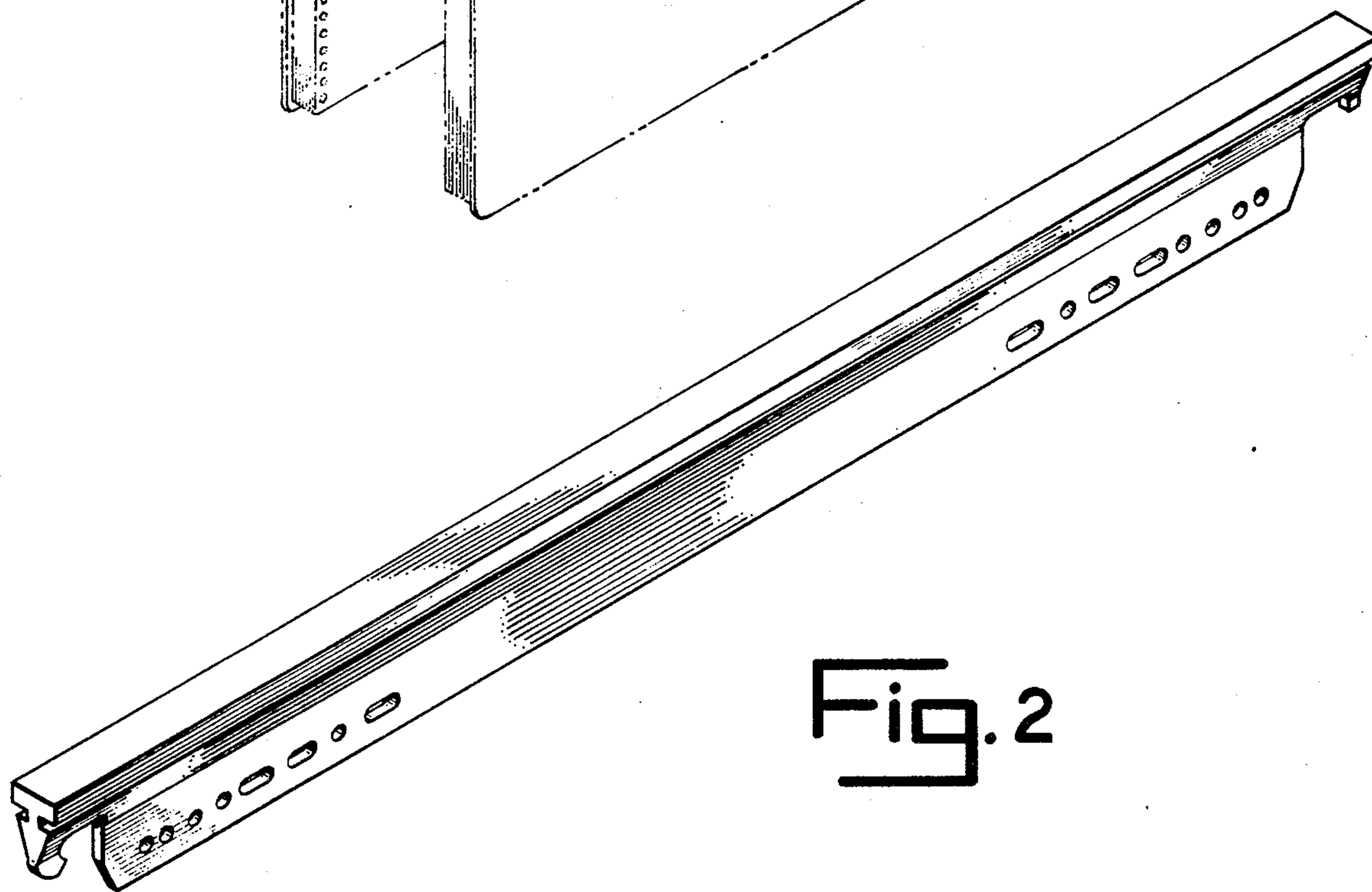
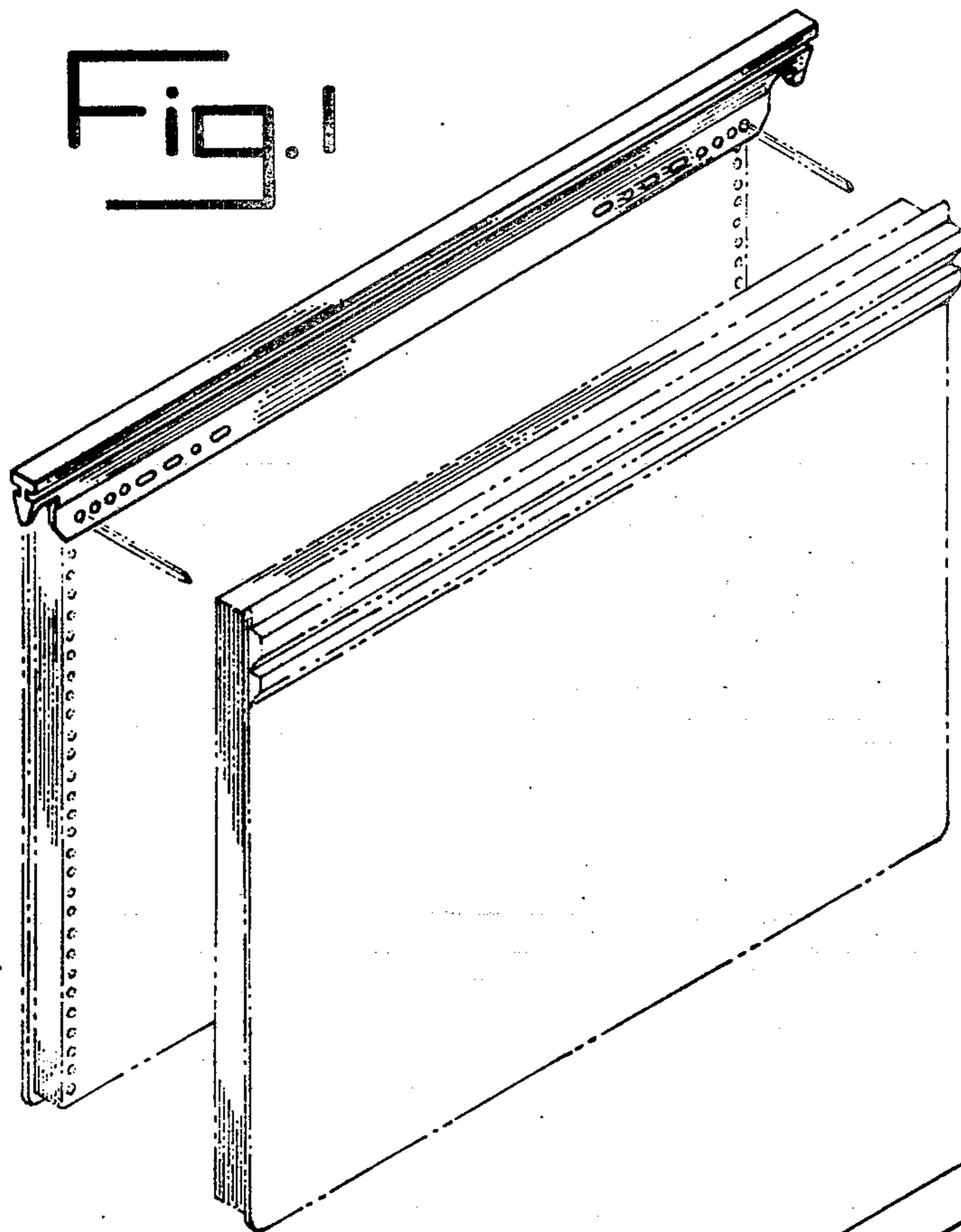


Fig. 2

Fig. 3

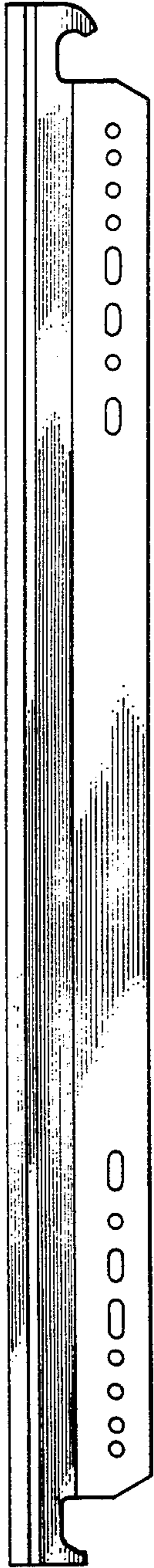


Fig. 4

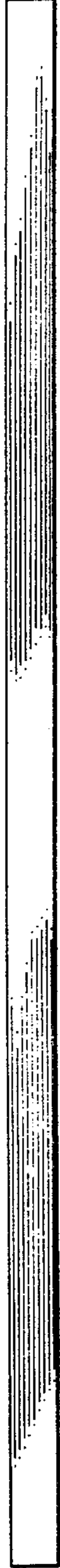


Fig. 5



Fig. 6



Fig. 7

