

[54] REAR-PROJECTION LECTERN

[75] Inventor: Dennis F. VanderWerf, Cottage Grove, Minn.

[73] Assignee: Minnesota Mining and Manufacturing Company, St. Paul, Minn.

[**] Term: 14 Years

[21] Appl. No.: 602,514

[22] Filed: Apr. 20, 1984

[52] U.S. Cl. D16/14

[58] Field of Search D16/11-15, D16/17, 18, 20, 24-26; D14/107; 353/39, 37, 15, 18, 71, 74, 78, 79, 81, 101, 119, DIG. 3

[56] References Cited

U.S. PATENT DOCUMENTS

- D. 202,830 11/1965 Paull D16/14
- D. 219,919 2/1971 Cargill D14/107

- D. 220,658 5/1971 Christoffersen et al. D16/14
- D. 229,716 12/1973 Shirley D16/14
- D. 234,009 12/1974 Corderman et al. D16/14 X
- 3,169,442 2/1965 Reddle et al. 353/37
- 4,379,312 4/1983 Lee 353/15 X

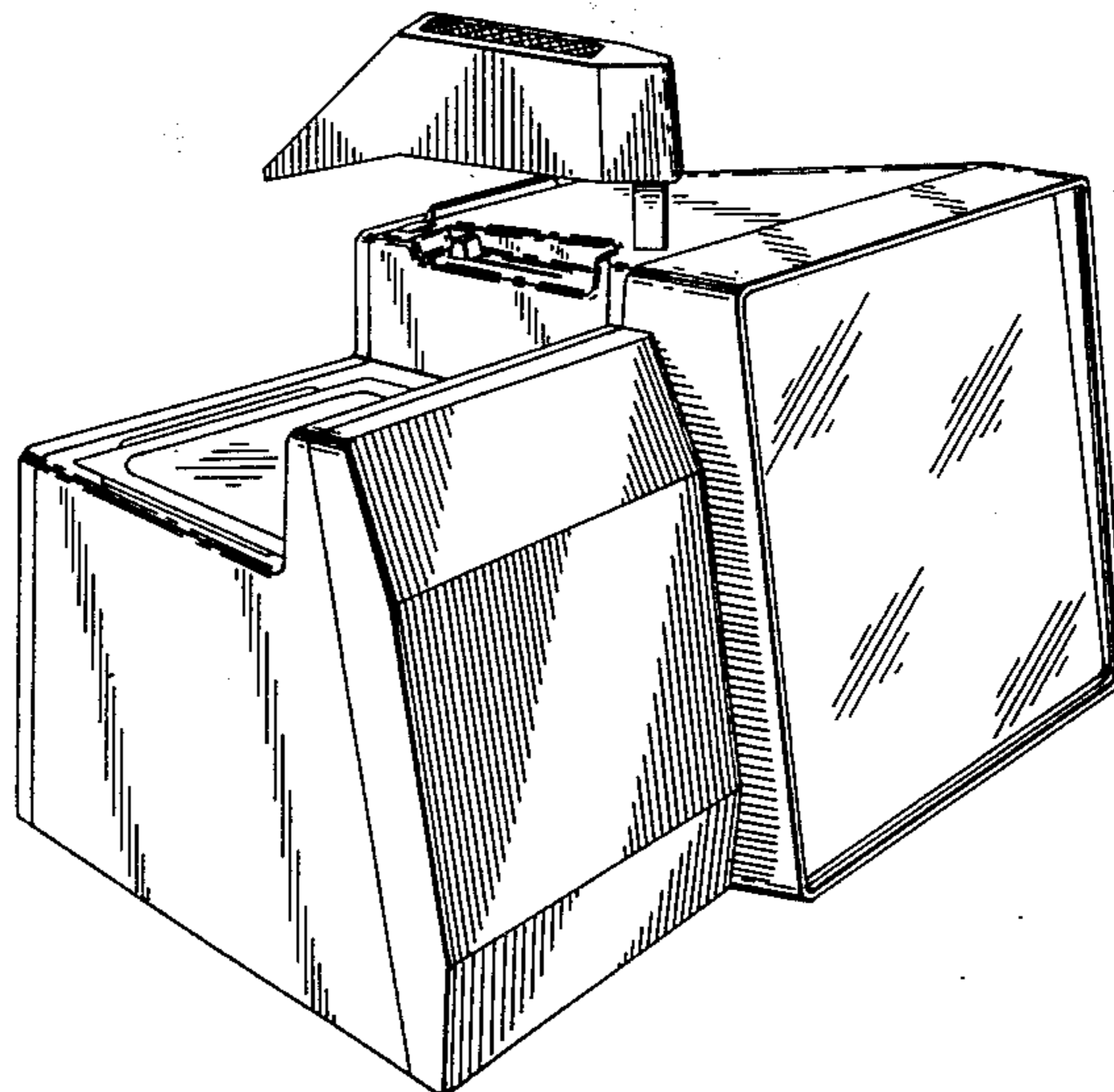
Primary Examiner—Louis S. Zarfes
Attorney, Agent, or Firm—Donald M. Sell; James A. Smith; David W. Anderson

[57] CLAIM

The ornamental design for a rear-projection lectern, as shown.

DESCRIPTION

FIG. 1 is a perspective view of a rear-projection lectern showing my new design;
FIG. 2 is a top plan view thereof;
FIG. 3 is a rear elevational view thereof;
FIG. 4 is a front elevational view thereof;
FIG. 5 is a left side elevational view thereof; and
FIG. 6 is a right side elevational view thereof.



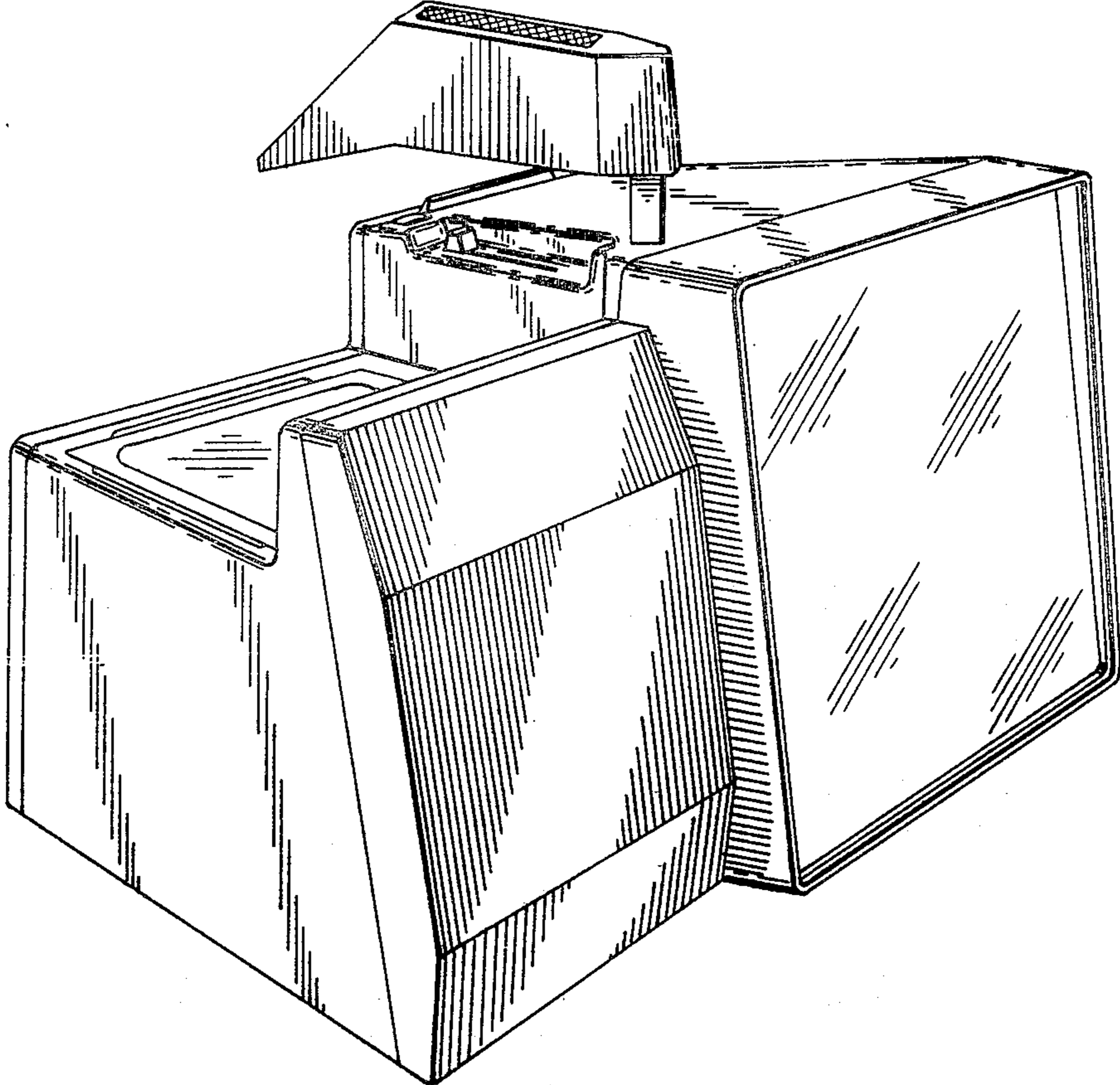


FIG. 1

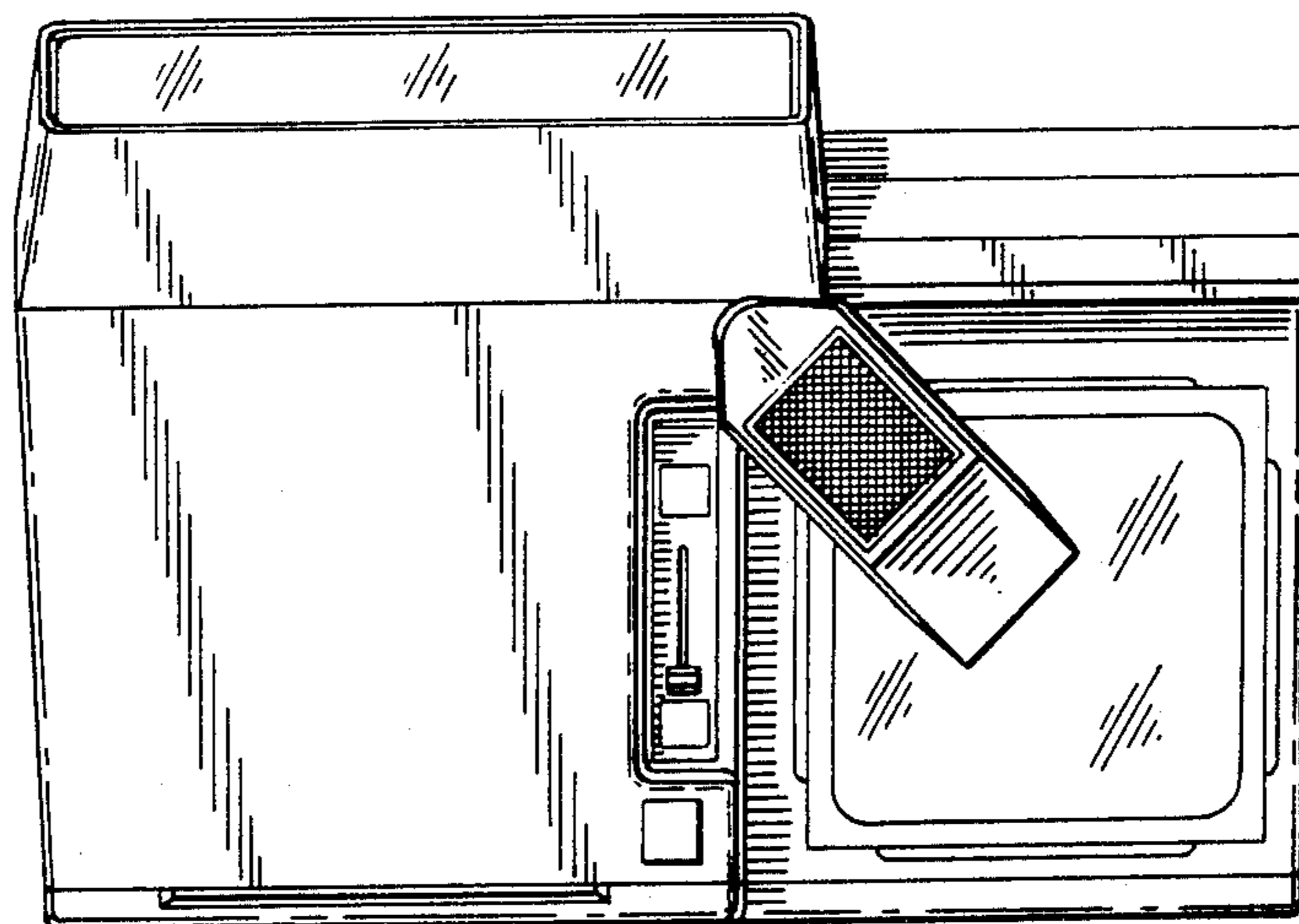


FIG. 2

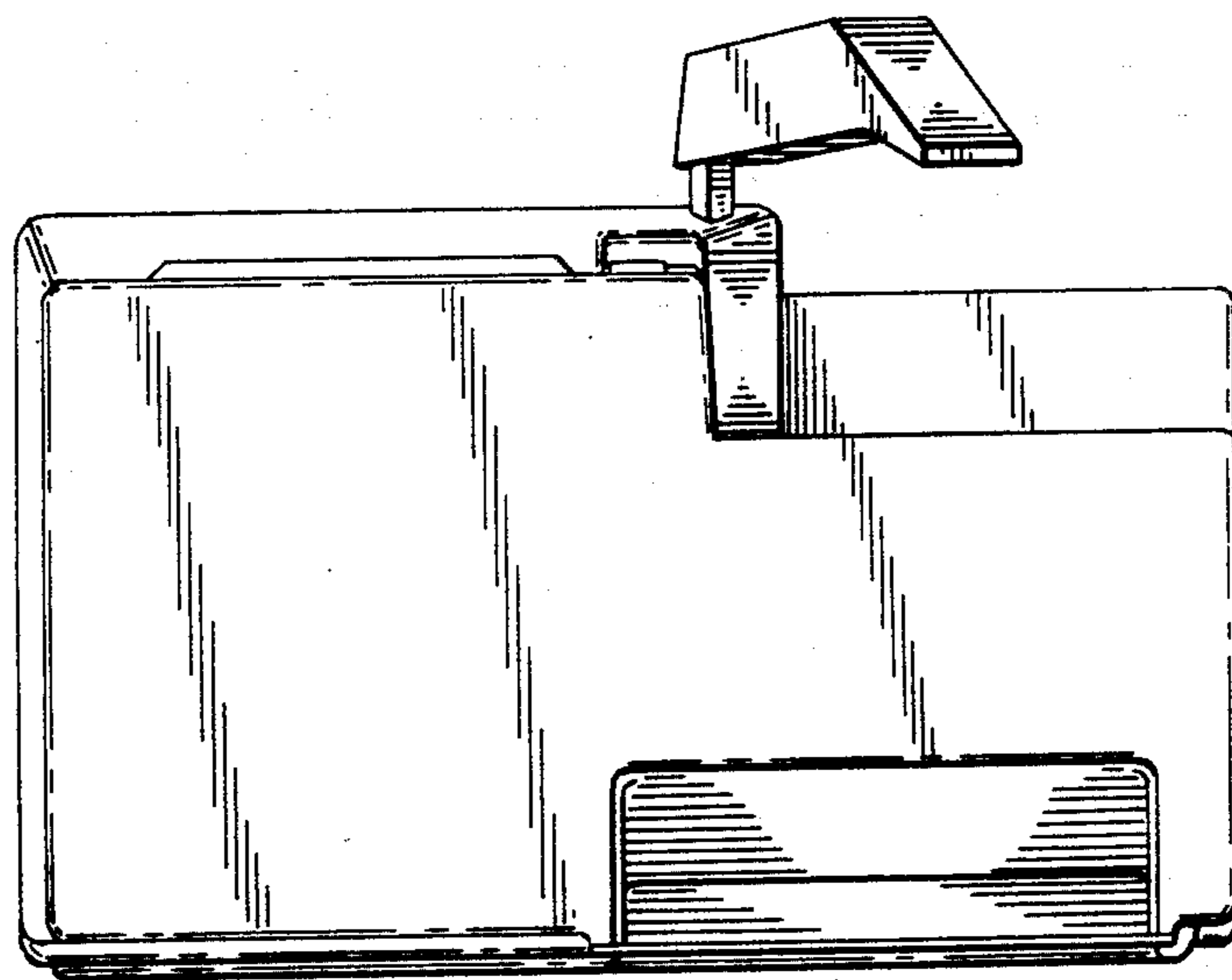


FIG. 3

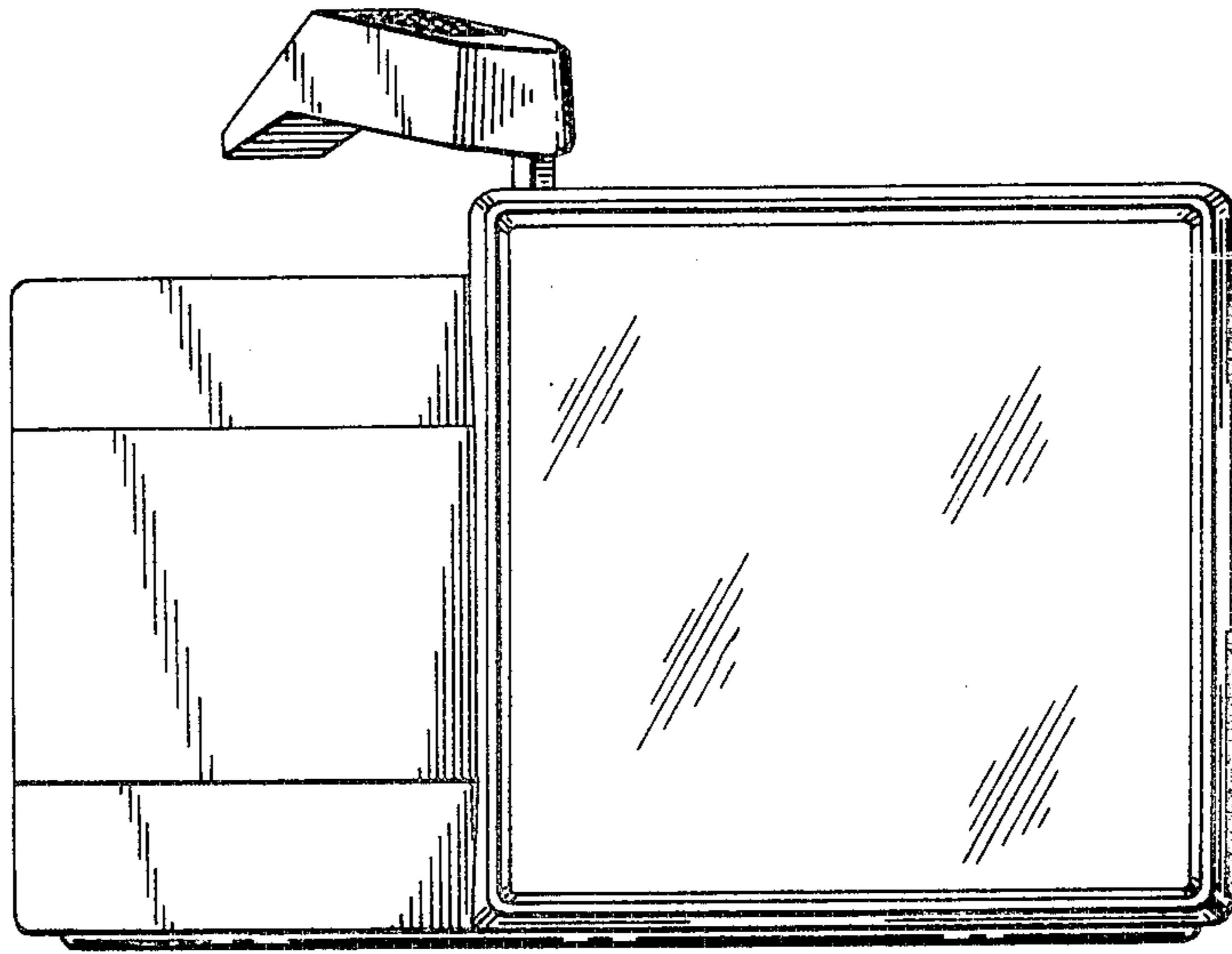


FIG. 4

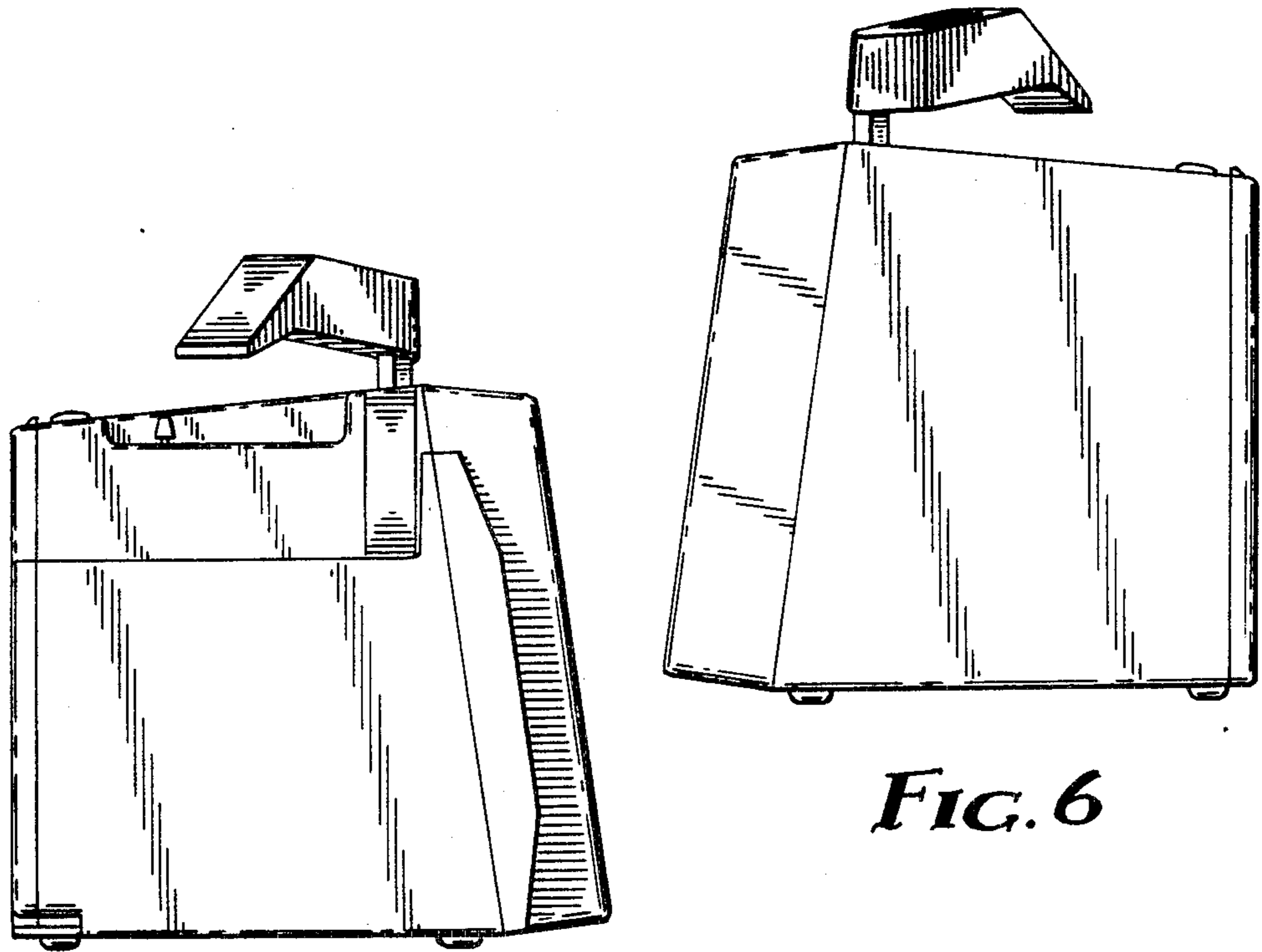


FIG. 5

FIG. 6