

[54] SELF SUPPORTING WINDOW BRACKET FOR AIR CONDITIONERS

4,071,216 1/1978 Einhorn D8/373

[76] Inventor: Joseph J. Fonceca, 27349 Manon Ave., Hayward, Calif. 94545

[**] Term: 14 Years

[21] Appl. No.: 576,323

[22] Filed: Feb. 2, 1984

[52] U.S. Cl. D8/381; 248/300

[58] Field of Search D8/380, 381, 373, 349, D8/363; 248/208, 235, 300; D6/567

[56] References Cited

U.S. PATENT DOCUMENTS

D. 21,199	12/1891	Sanders	D8/381
D. 251,357	3/1979	Chasen	D8/363
494,758	4/1893	Kroder	D8/381 UX
1,558,977	10/1925	Gray	248/300
1,809,216	6/1931	Quandt	248/300
1,914,617	6/1933	Rogers	248/300
2,065,068	12/1936	Gudeman	248/300

OTHER PUBLICATIONS

Housewares Review; Jan. 1960; showing of Utility Bracket for Gen. use or Plant Box.

Primary Examiner—Wallace R. Burke

Assistant Examiner—Horace B. Fay

Attorney, Agent, or Firm—Linval B. Castle

[57] CLAIM

The ornamental design for self supporting window bracket for air conditioners, as shown and described.

DESCRIPTION

FIG. 1 is a left side, top and partial front perspective view of a self-supporting window bracket for air conditioners showing my new design;

FIG. 2 is a front elevational view thereof;

FIG. 3 is a rear elevational view thereof;

FIG. 4 is a left side elevational view thereof, the side opposite being a mirror image; and

FIGS. 5 and 6 are, respectively, top and bottom plan views thereof.

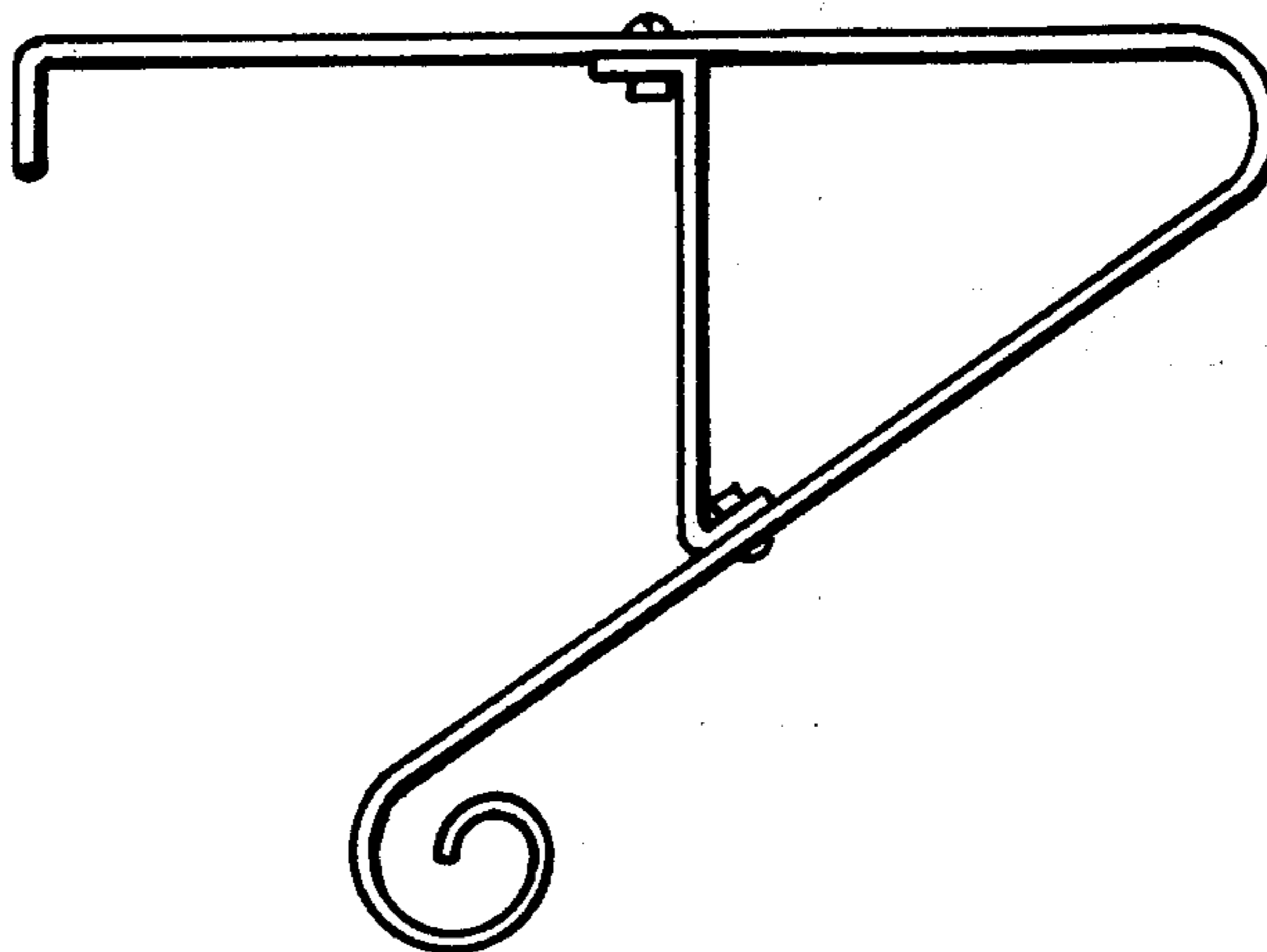
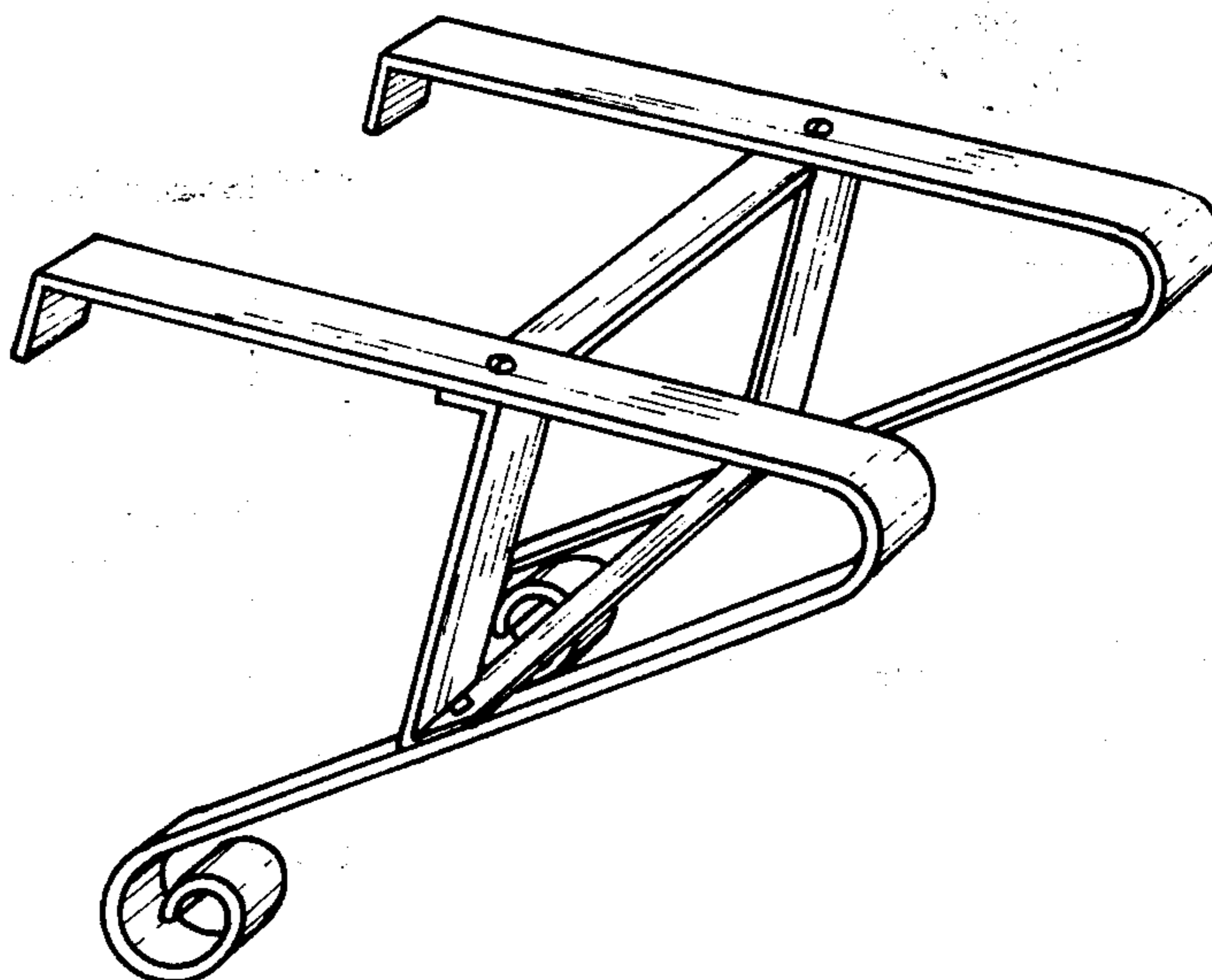


FIG-1-

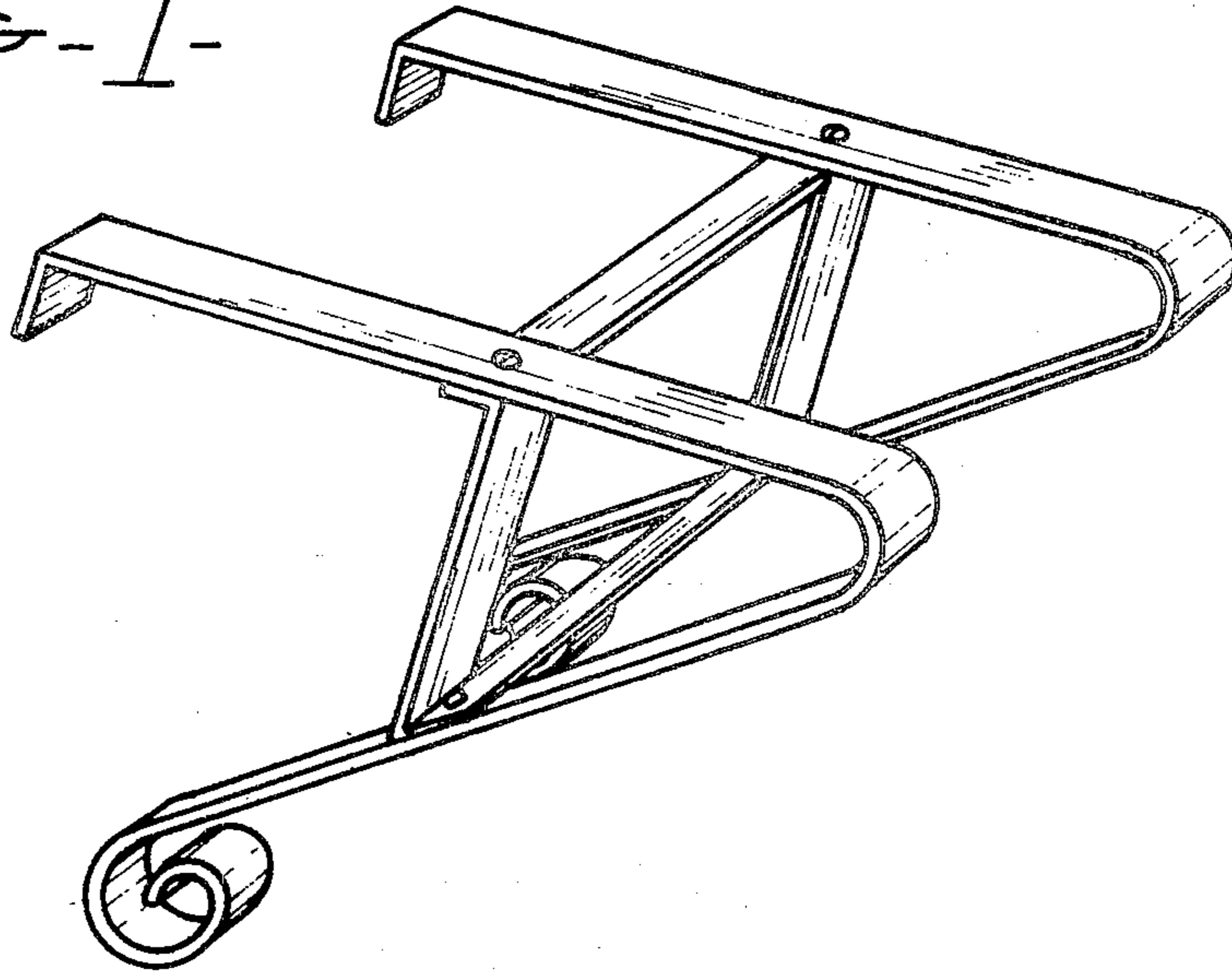


FIG-3-

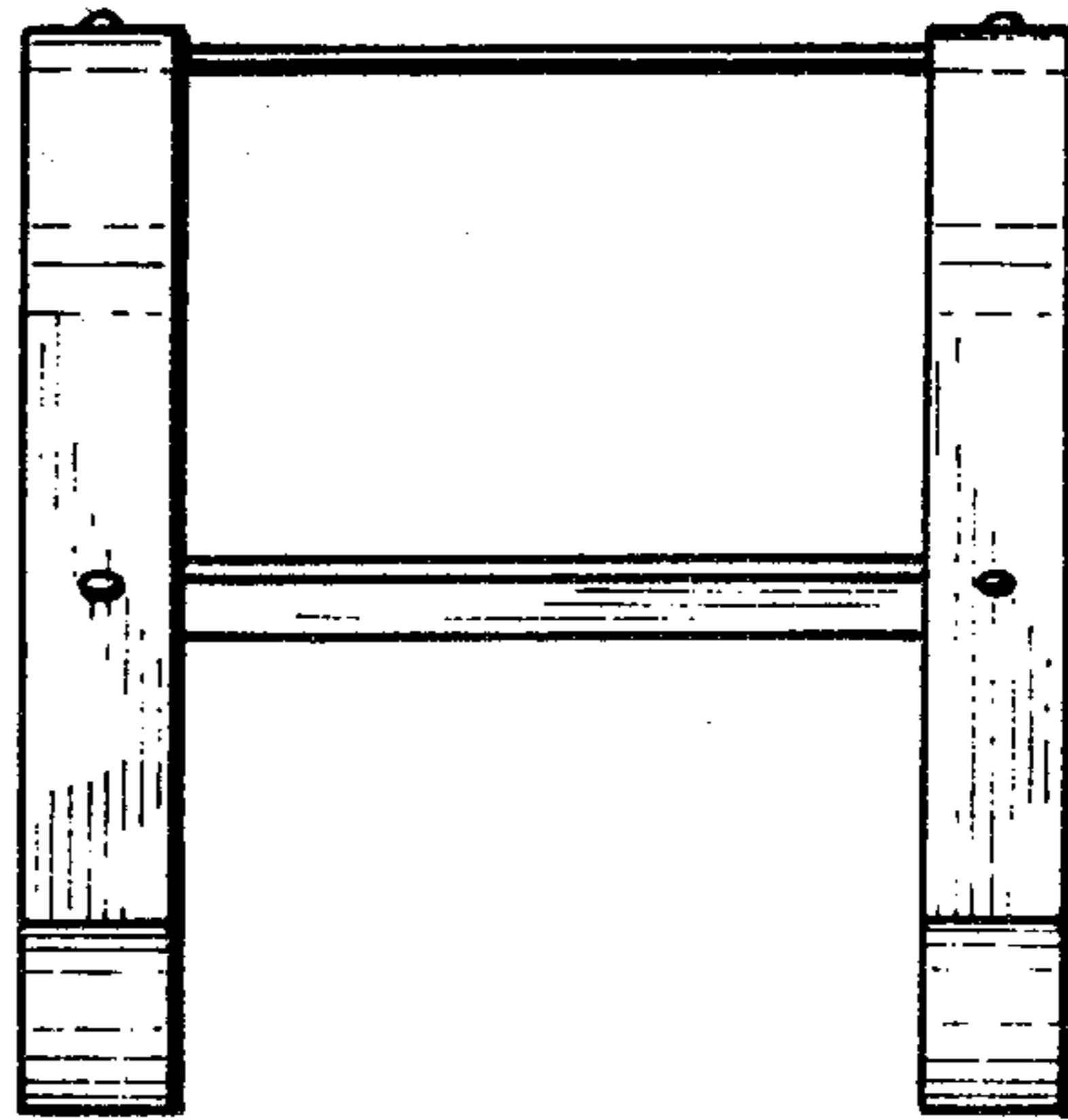
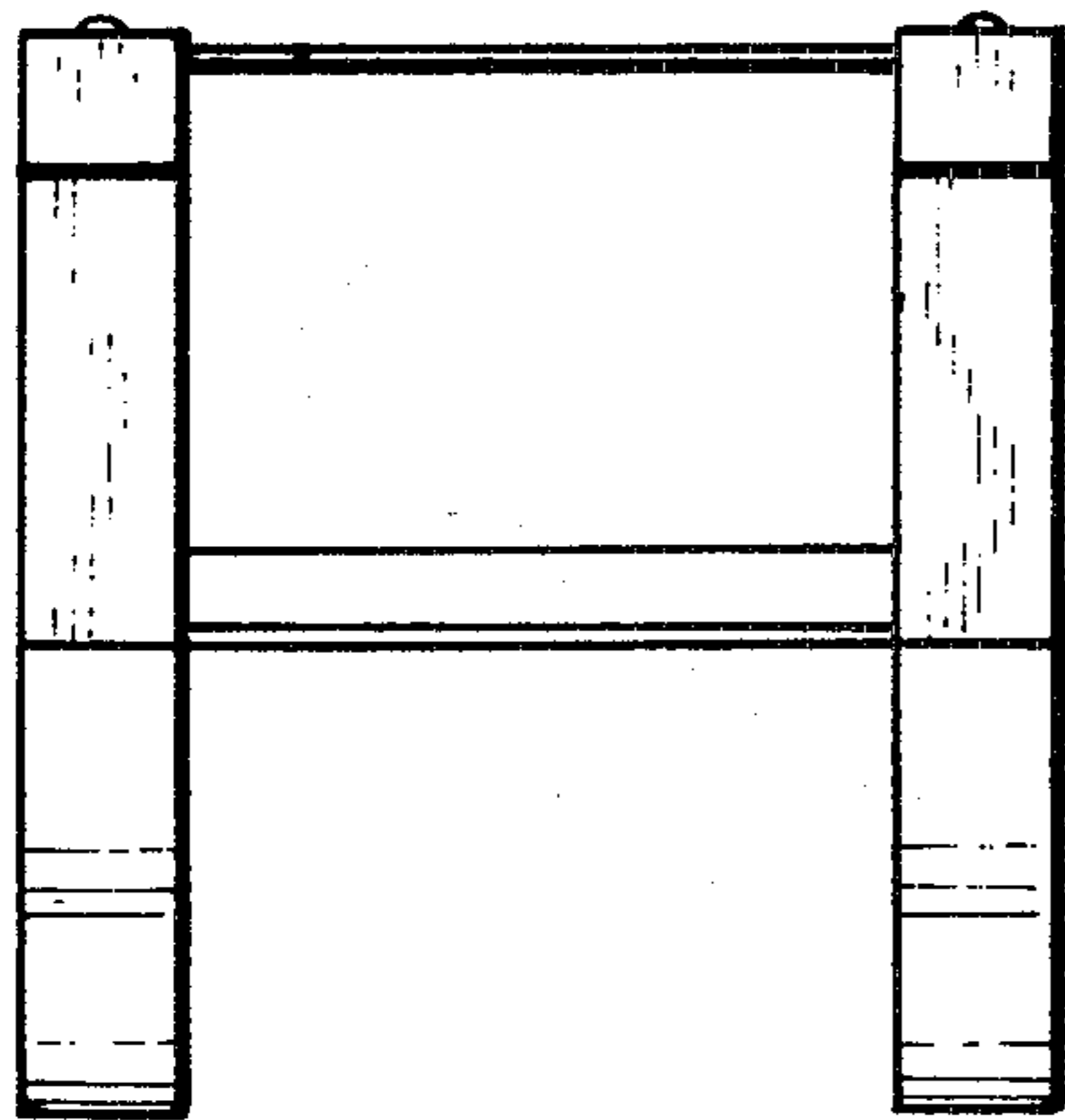


FIG-2-

FIG-5-

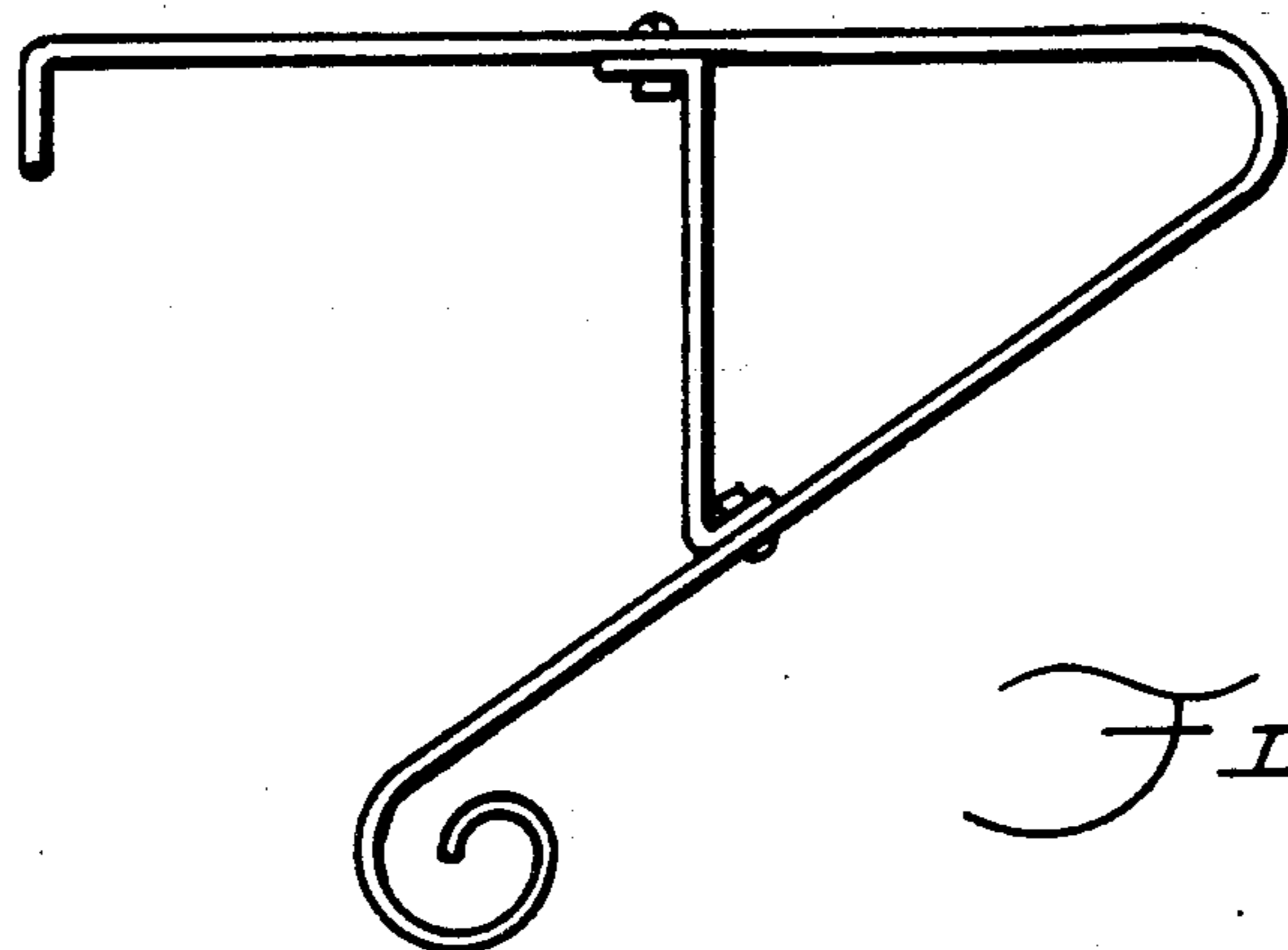
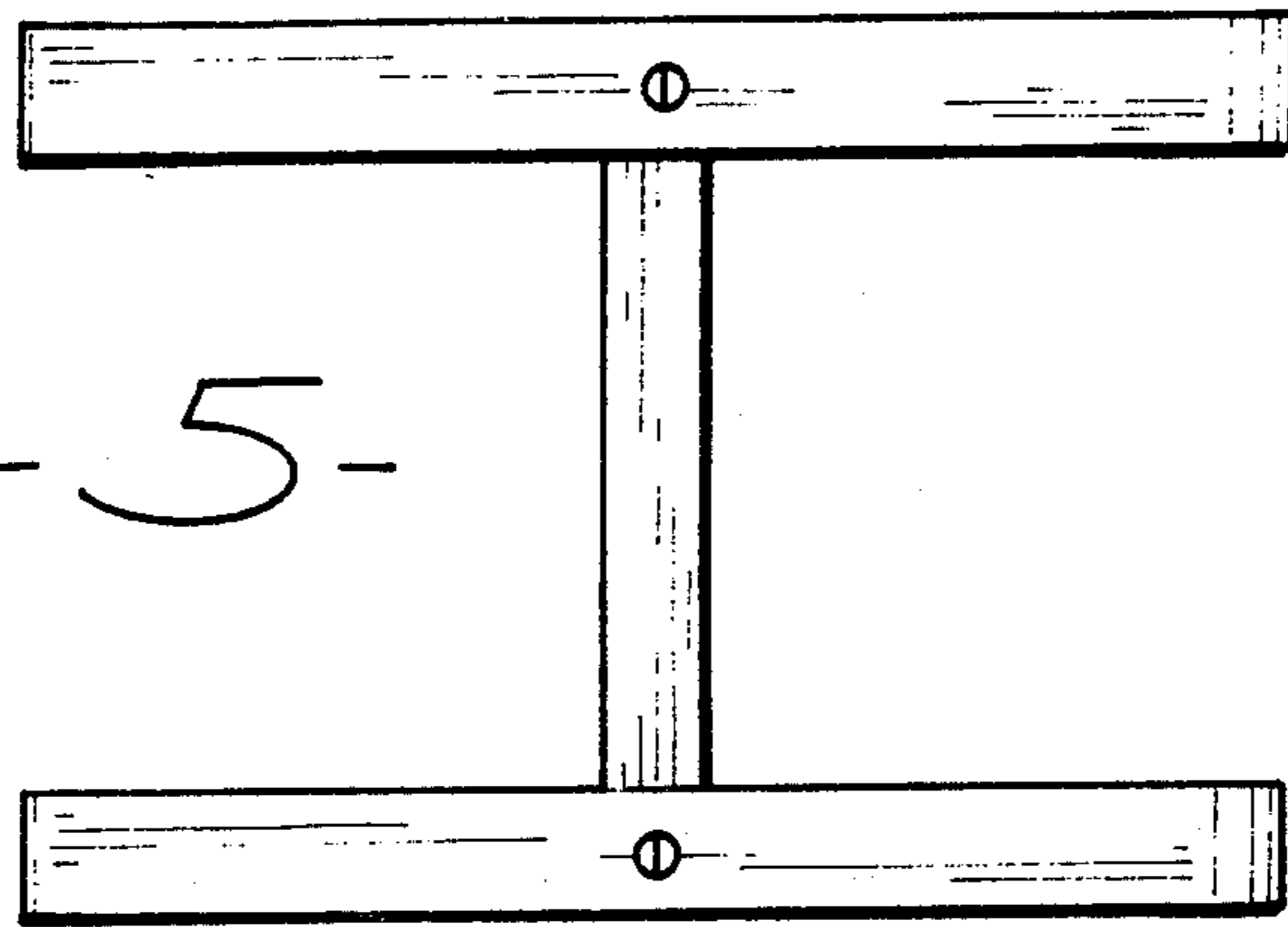


FIG-4-

FIG-6-

