

[54] WORD PROCESSOR WITH CRT DISPLAY

[75] Inventor: William G. Moggridge, Palo Alto, Calif.

[73] Assignee: Minolta Camera Kabushiki Kaisha, Osaka, Japan

[**] Term: 14 Years

[21] Appl. No.: 627,879

[22] Filed: Jul. 5, 1984

[52] U.S. Cl. D14/106; D14/109

[58] Field of Search D14/100, 101, 106, 107, D14/109, 113, 114, 77, 80, 81, 82, 84; 340/700, 711; 358/254, 248, 249

[56] References Cited

U.S. PATENT DOCUMENTS

D. 256,796	9/1980	Plaza	D14/106
D. 277,383	1/1985	Boudreau et al.	D14/113
D. 280,198	8/1985	Dillon et al.	D14/100
D. 280,199	8/1985	Ryan	D14/113

OTHER PUBLICATIONS

Digital VT200 Family Catalog, ©1983, p. 9, VT240 System.

Fortune Systems Brochure, ©1982, front cover, Terminal.

Primary Examiner—Susan J. Lucas

Attorney, Agent, or Firm—Price, Gess & Ubell

[57] CLAIM

The ornamental design for a word processor with CRT display, substantially as shown and described.

DESCRIPTION

FIG. 1 is a front, right side perspective of the word processor with CRT display showing my new design; FIG. 2 is a front elevational view thereof on a reduced scale;

FIG. 3 is a top plan view thereof on a reduced scale; FIG. 4 is a right side elevational view thereof on a reduced scale;

FIG. 5 is a left side elevational view thereof on a reduced scale;

FIG. 6 is a bottom plane view thereof on a reduced scale; and

FIG. 7 is a rear elevational view thereof on a reduced scale.

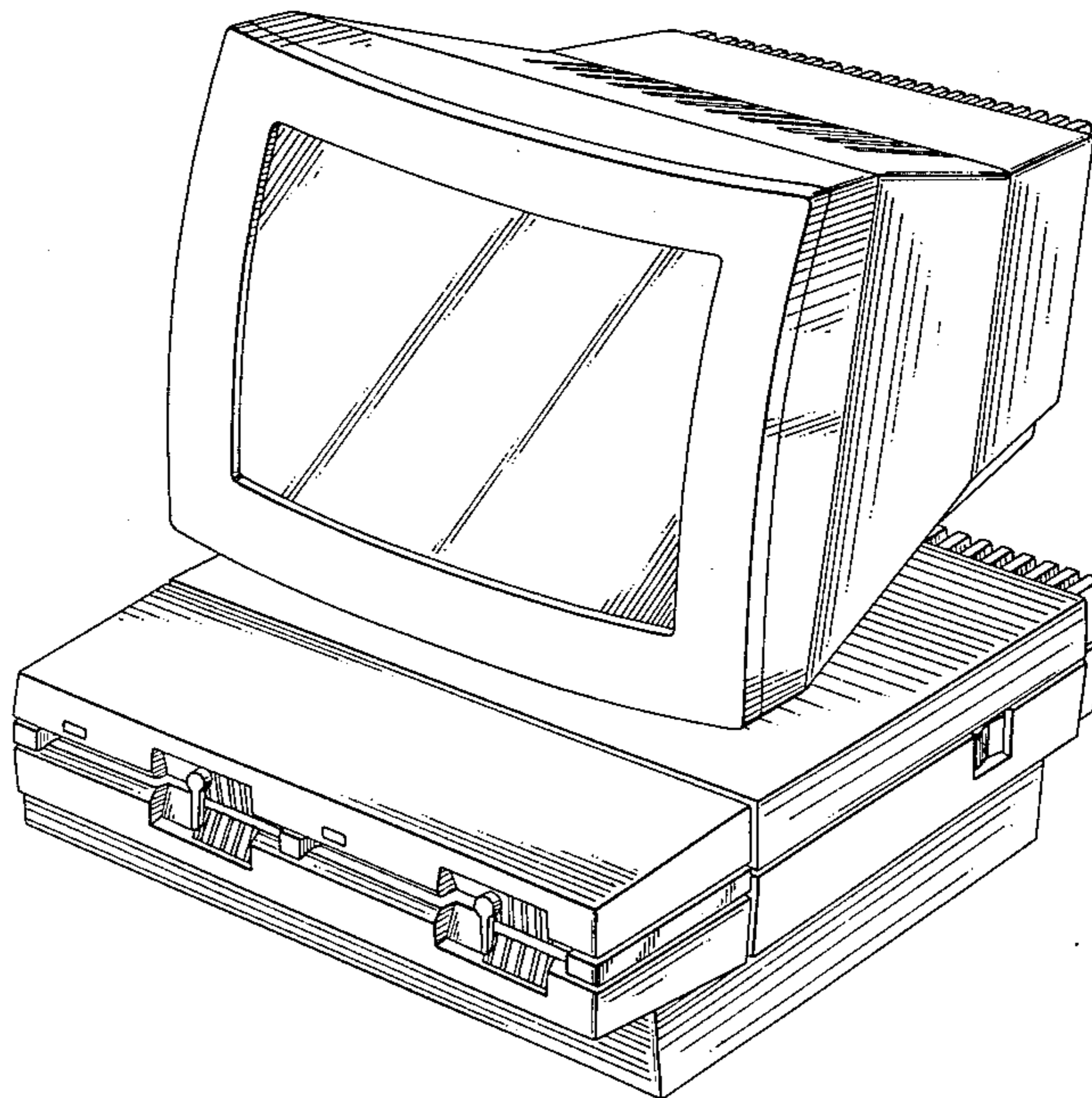


FIG. 1

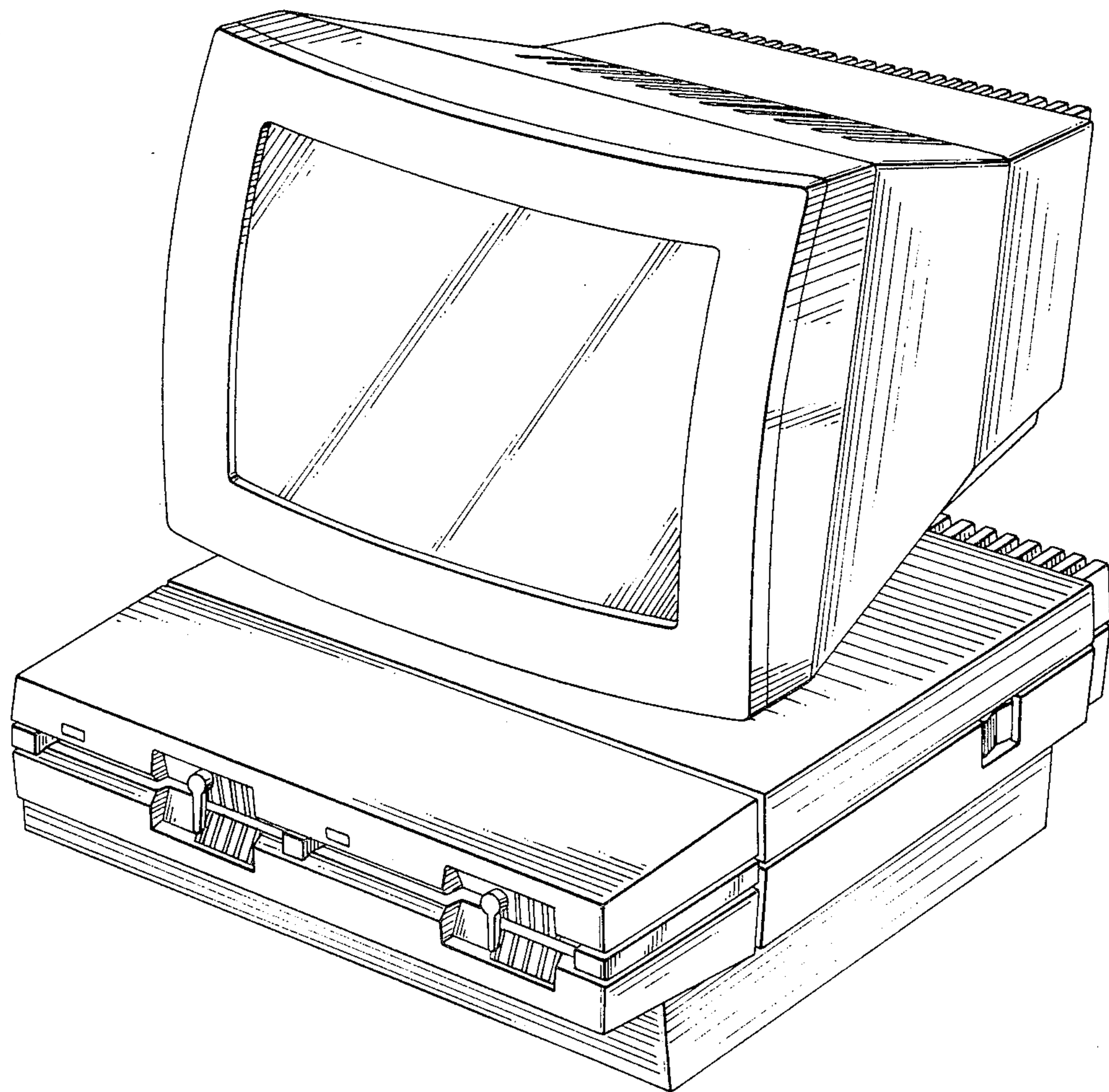


FIG. 2

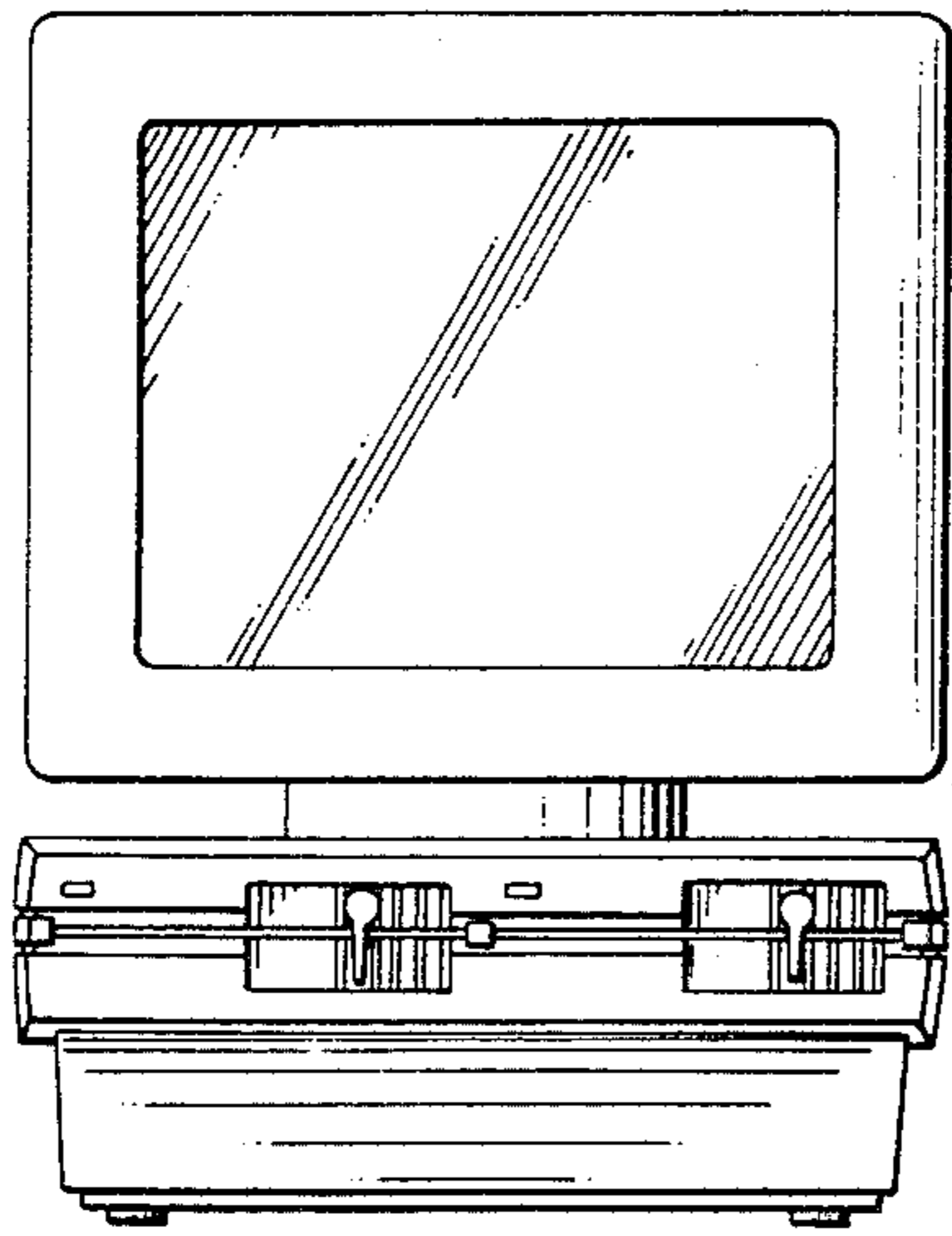


FIG. 3

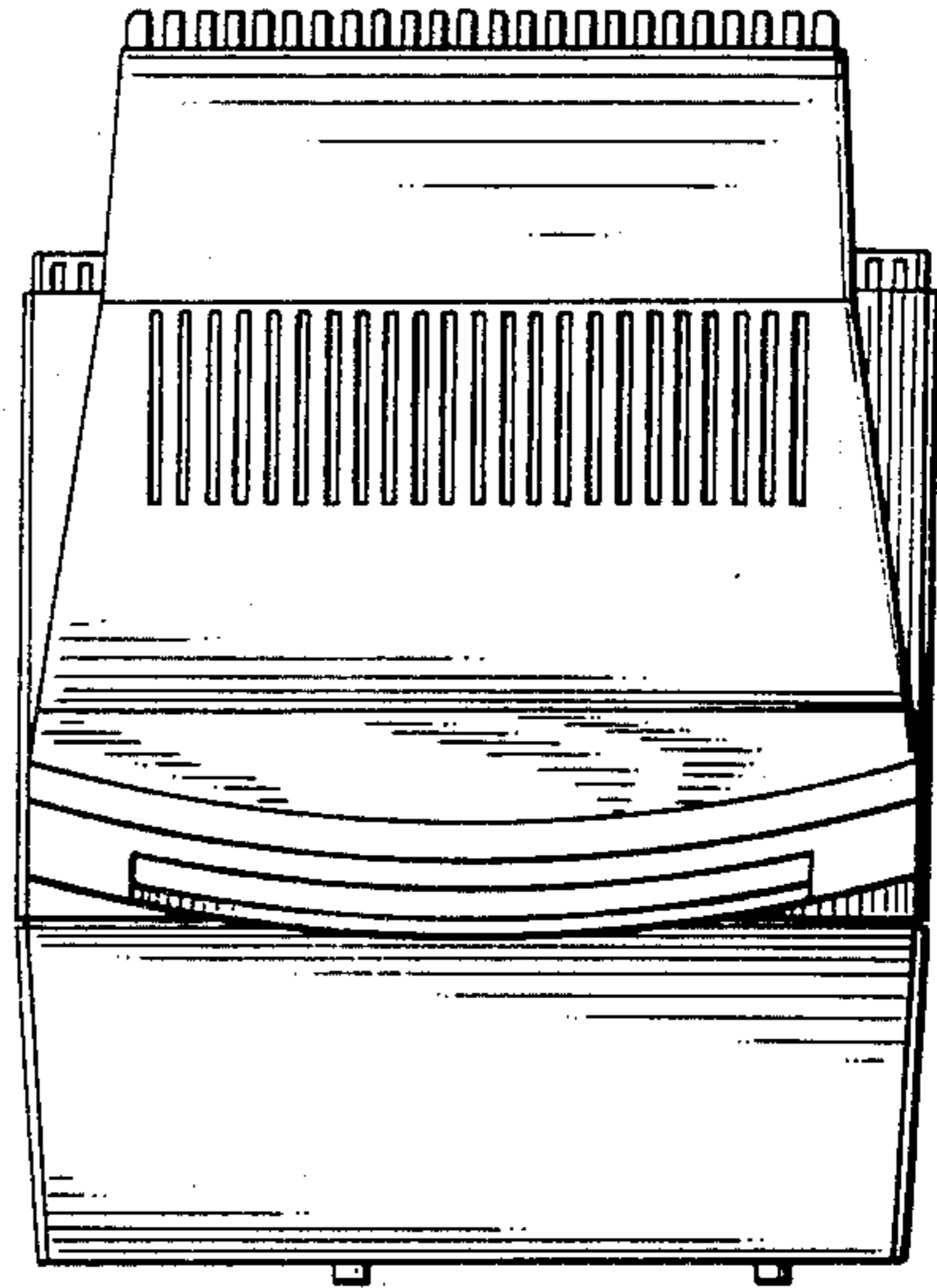
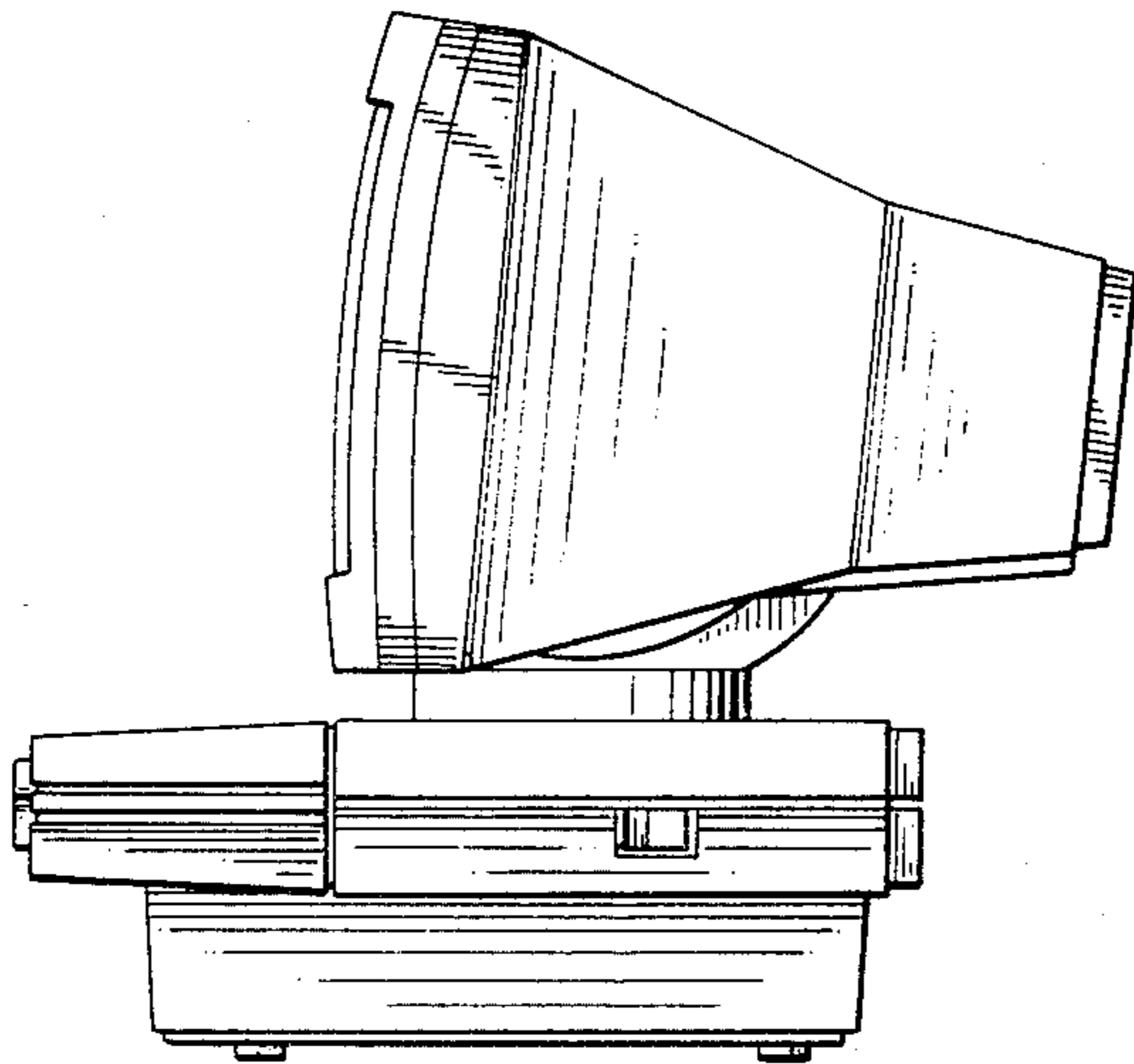


FIG. 4



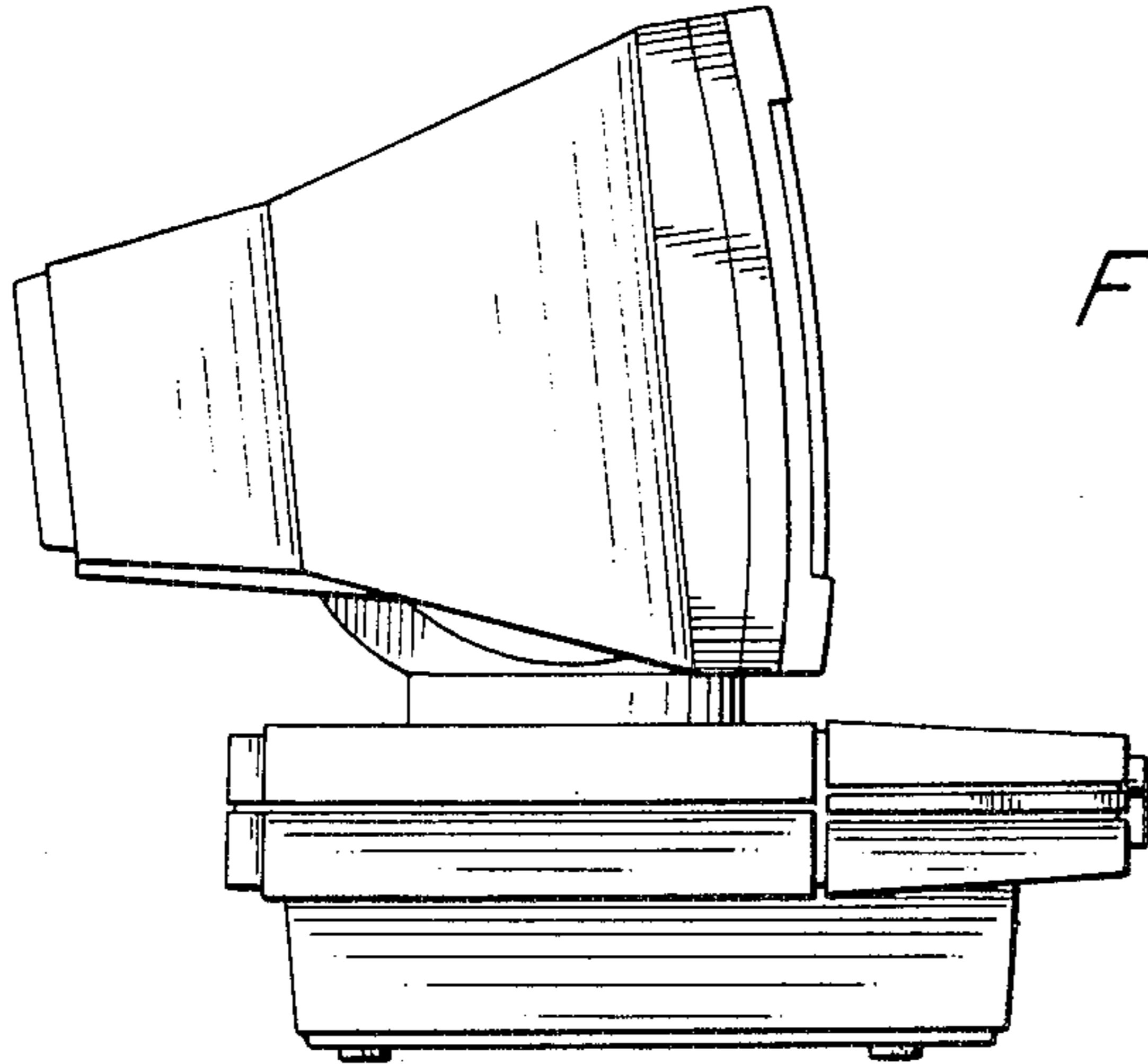


FIG. 5

FIG. 6

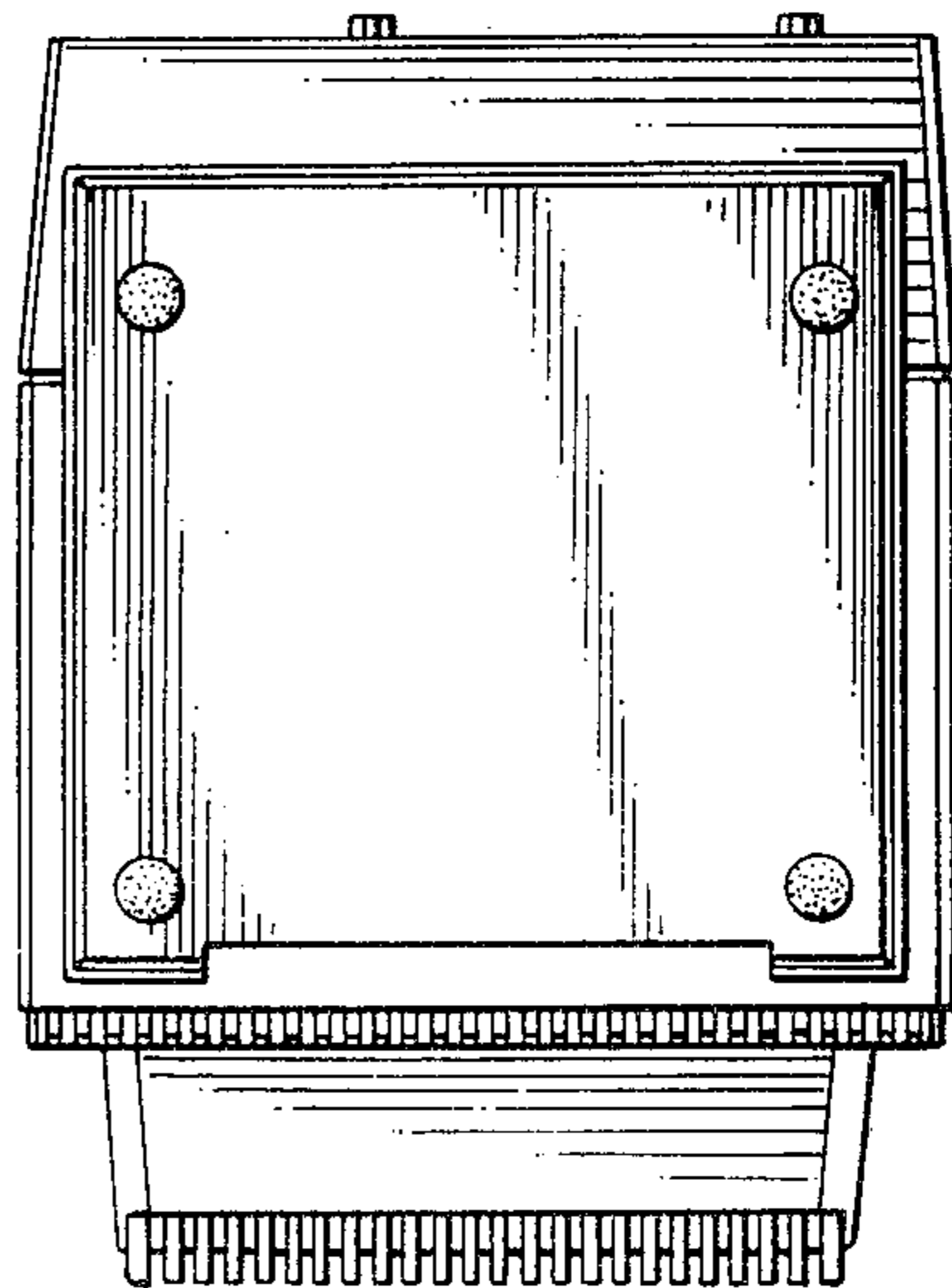


FIG. 7

