

[54] SATELLITE RECEPTION LOCATING DEVICE

4,454,658 6/1984 Lewis et al. .... 33/268

[76] Inventor: James M. Roberts, 3915 Carnavon Way, Los Angeles, Calif. 90027

Primary Examiner—Bernard Ansher  
Assistant Examiner—Theodore M. Shooman  
Attorney, Agent, or Firm—Fulwider, Patton, Rieber, Lee & Utecht

[\*\*] Term: 14 Years

[21] Appl. No.: 587,359

[57] CLAIM

The ornamental design for a satellite reception locating device, as shown and described.

[22] Filed: Mar. 8, 1984

[52] U.S. Cl. .... D14/86; D14/90

DESCRIPTION

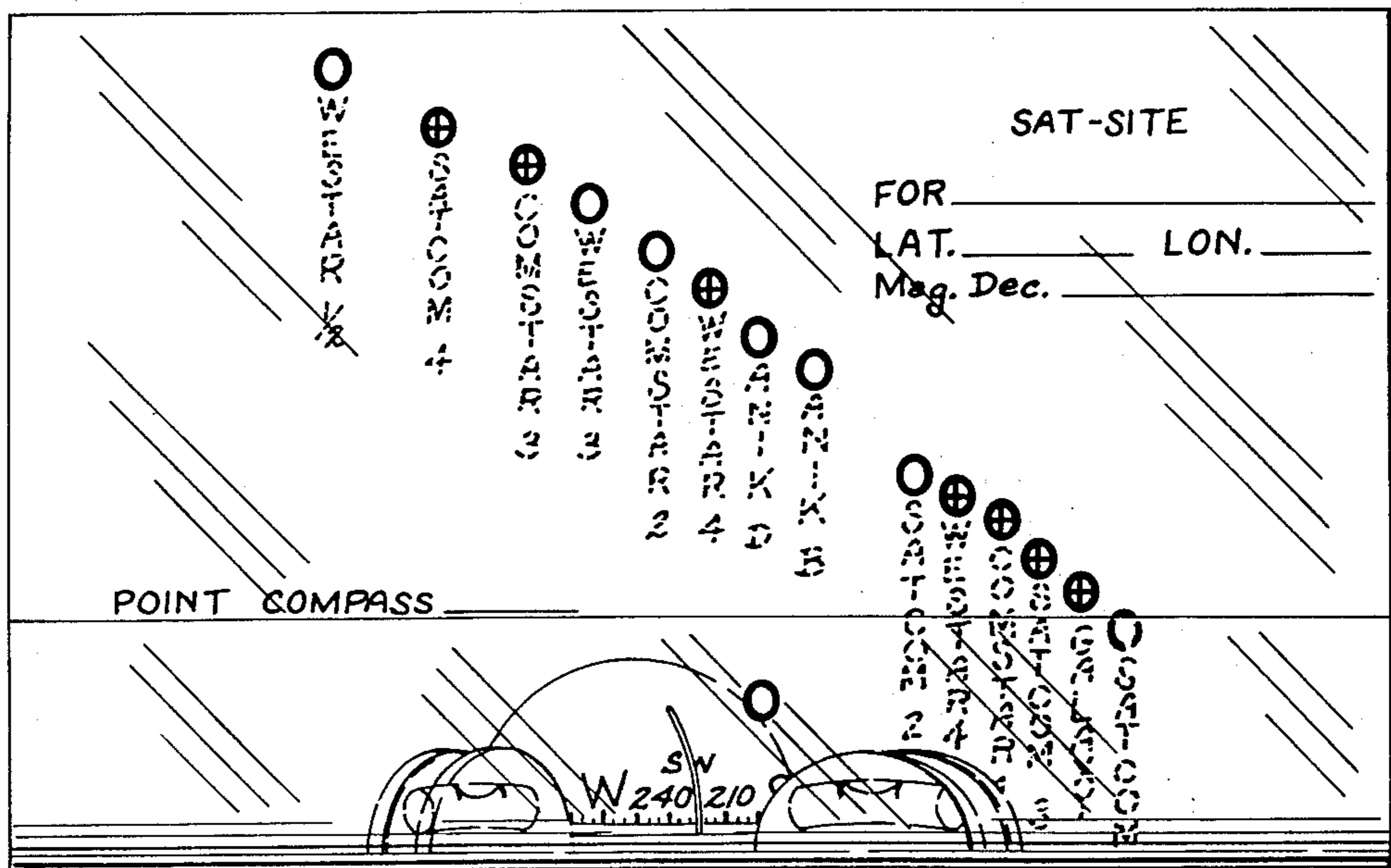
[58] Field of Search ..... D14/86, 90, 91; D10/62, D10/65, 68, 69, 70; 33/1.66, 268, 272, 273, 276, 277

FIG. 1 is a front elevational view of a satellite reception locating device showing my new design; FIG. 2 is a rear elevational view thereof; FIG. 3 is a right side elevational view thereof; FIG. 4 is a left side elevational view thereof; FIG. 5 is a top plan view thereof; FIG. 6 is a bottom plan view thereof; FIG. 7 is a top, front and side perspective view of a second embodiment of my new design; and FIG. 8 is a top, front and side perspective view of a third embodiment of my new design.

[56] References Cited

U.S. PATENT DOCUMENTS

D. 172,940	8/1954	Taylor	.....	D10/68
256,142	4/1882	Hill	.....	33/272
2,519,727	8/1950	Yezdan	.....	D10/70 X
2,697,237	12/1954	Sturdevant	.....	D10/65 X
3,876,313	4/1975	Messler et al.	.....	33/272 X
4,138,826	2/1979	Inge	.....	33/268



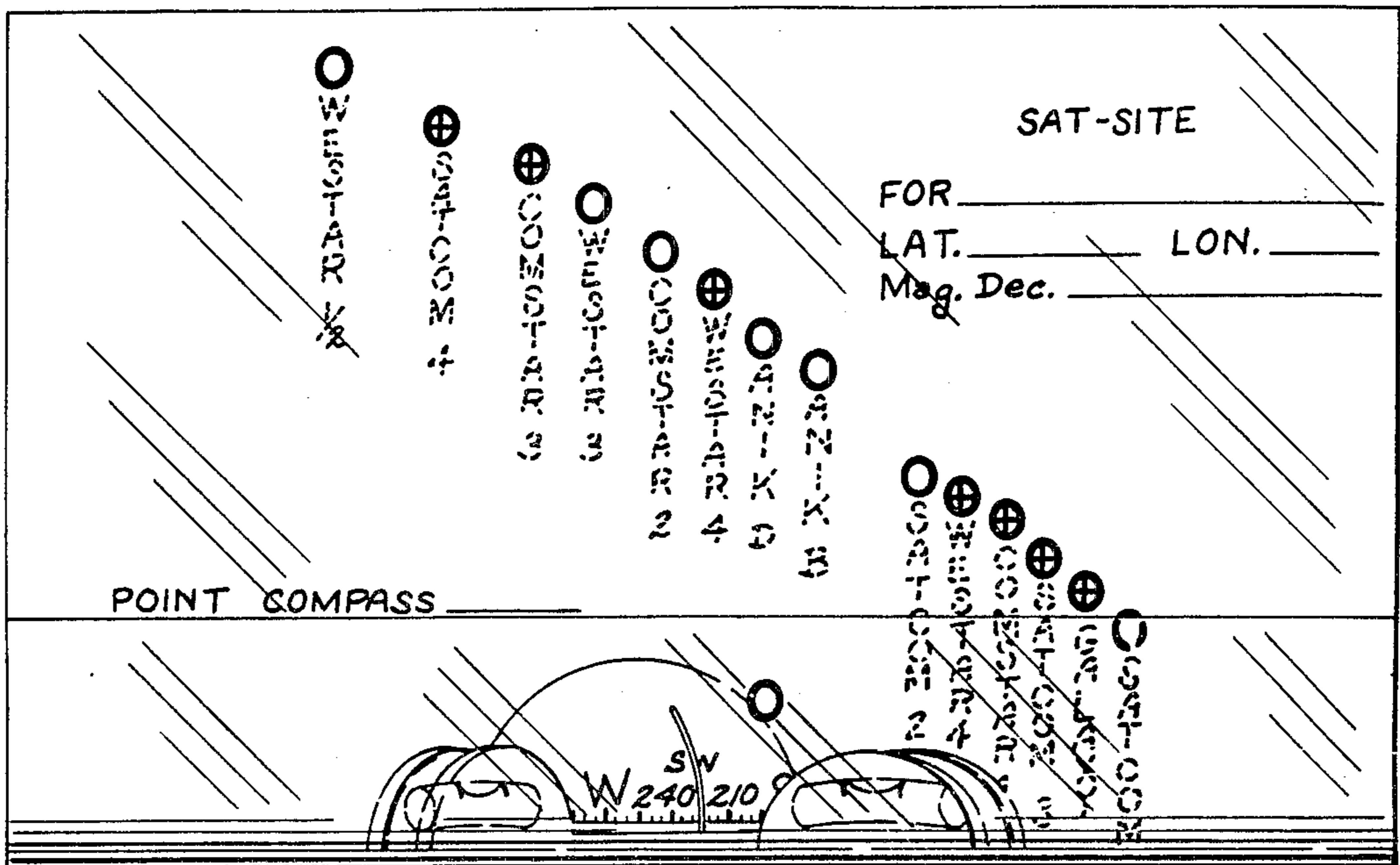


FIG. 1

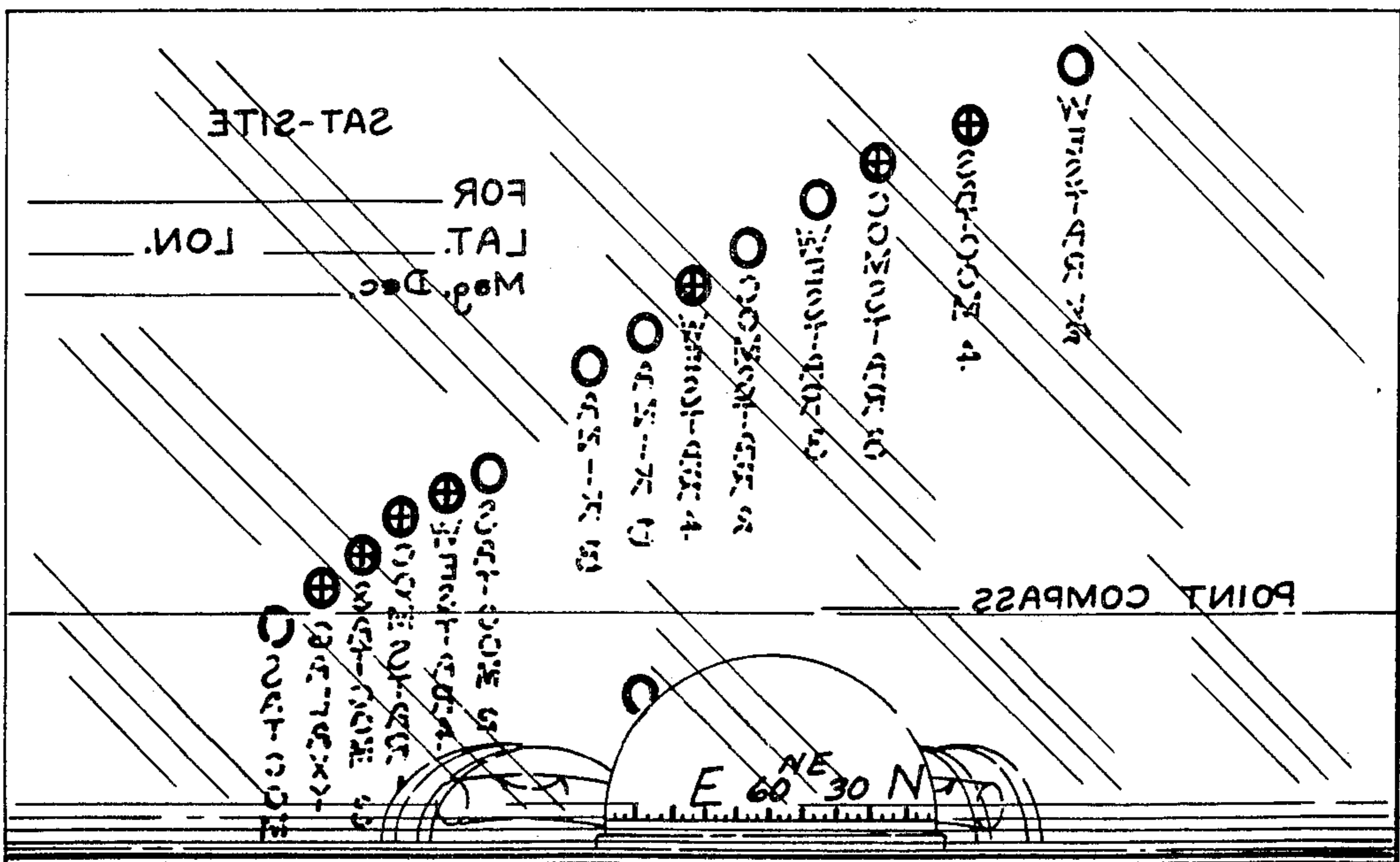


FIG. 2

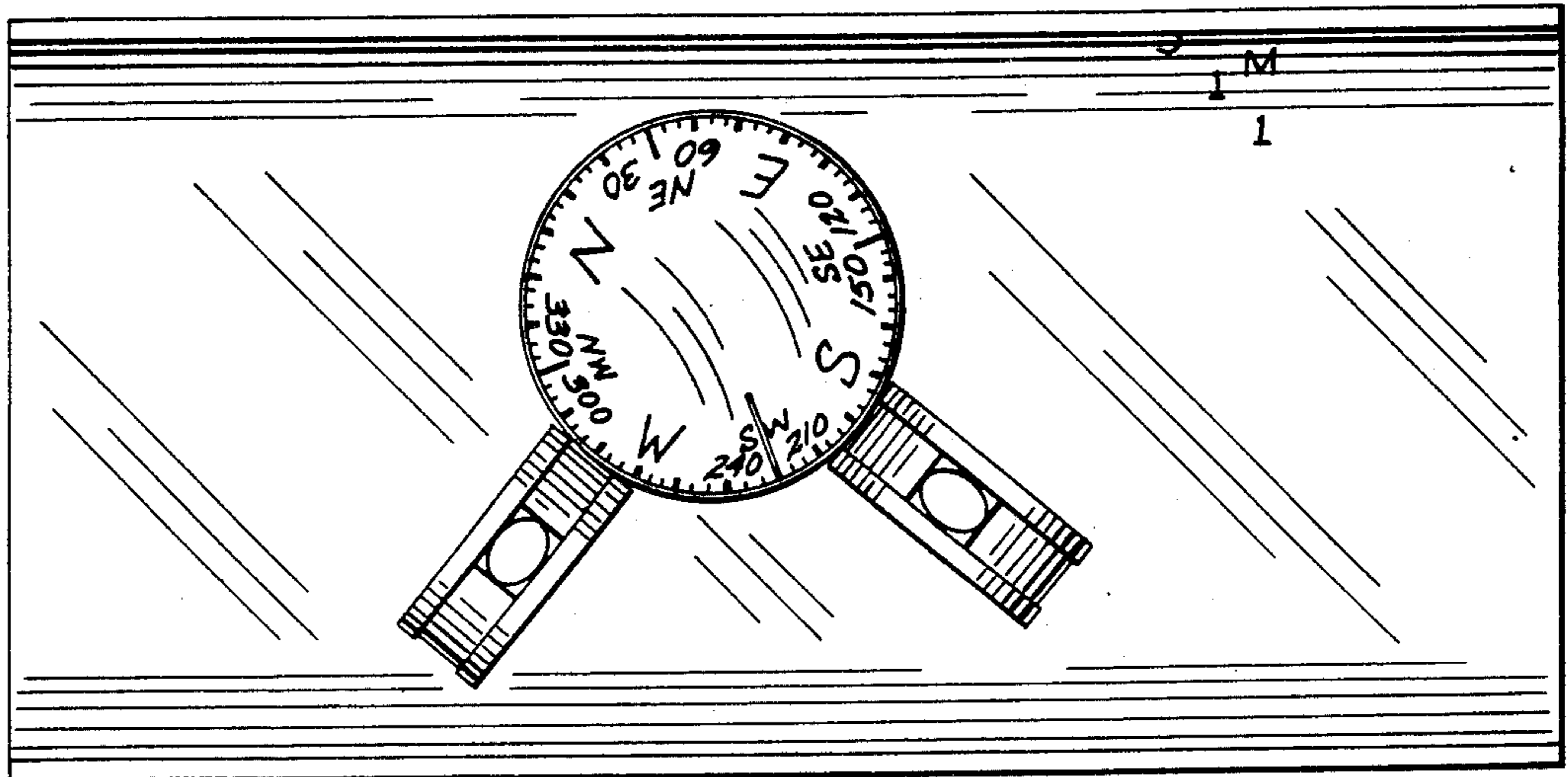
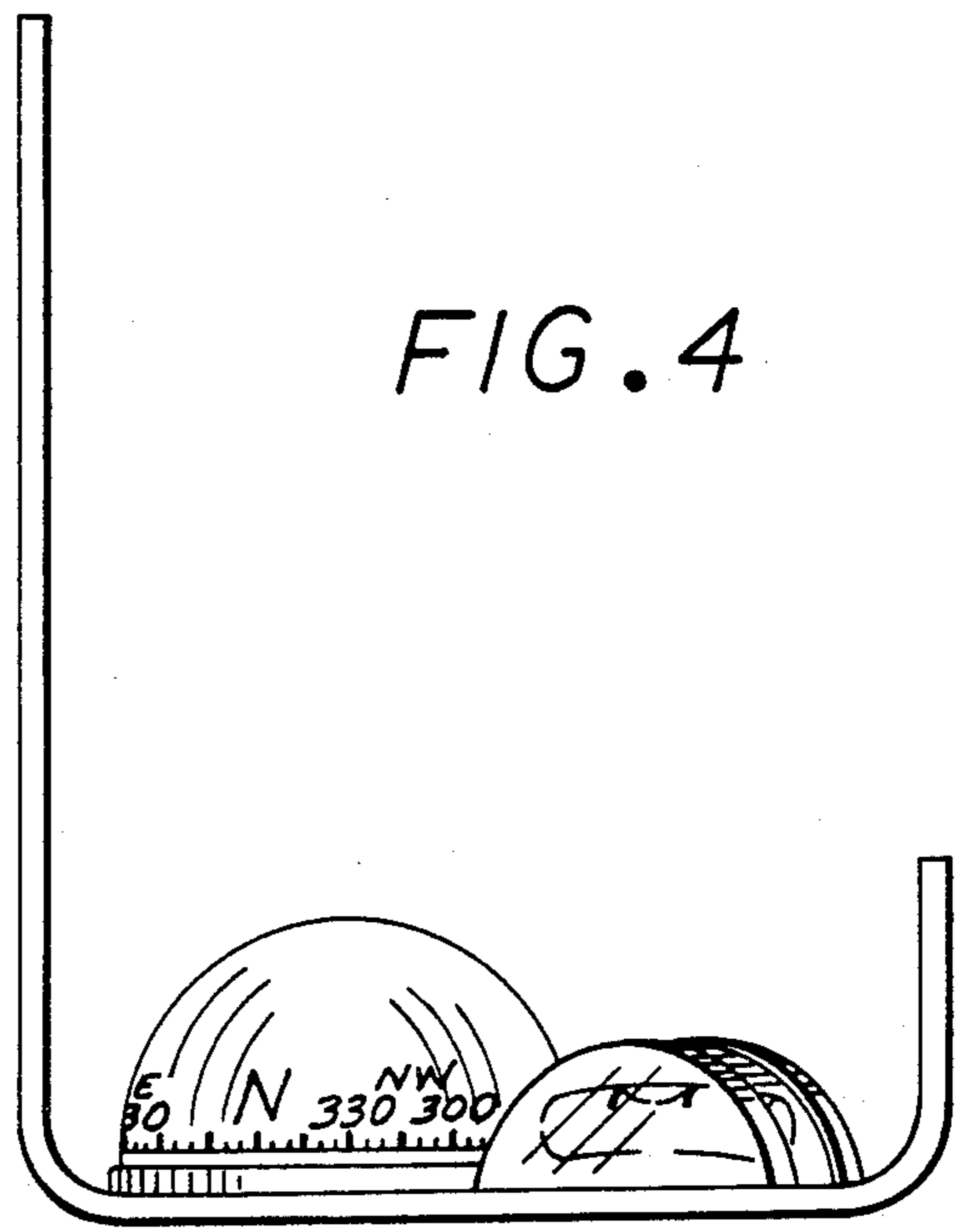
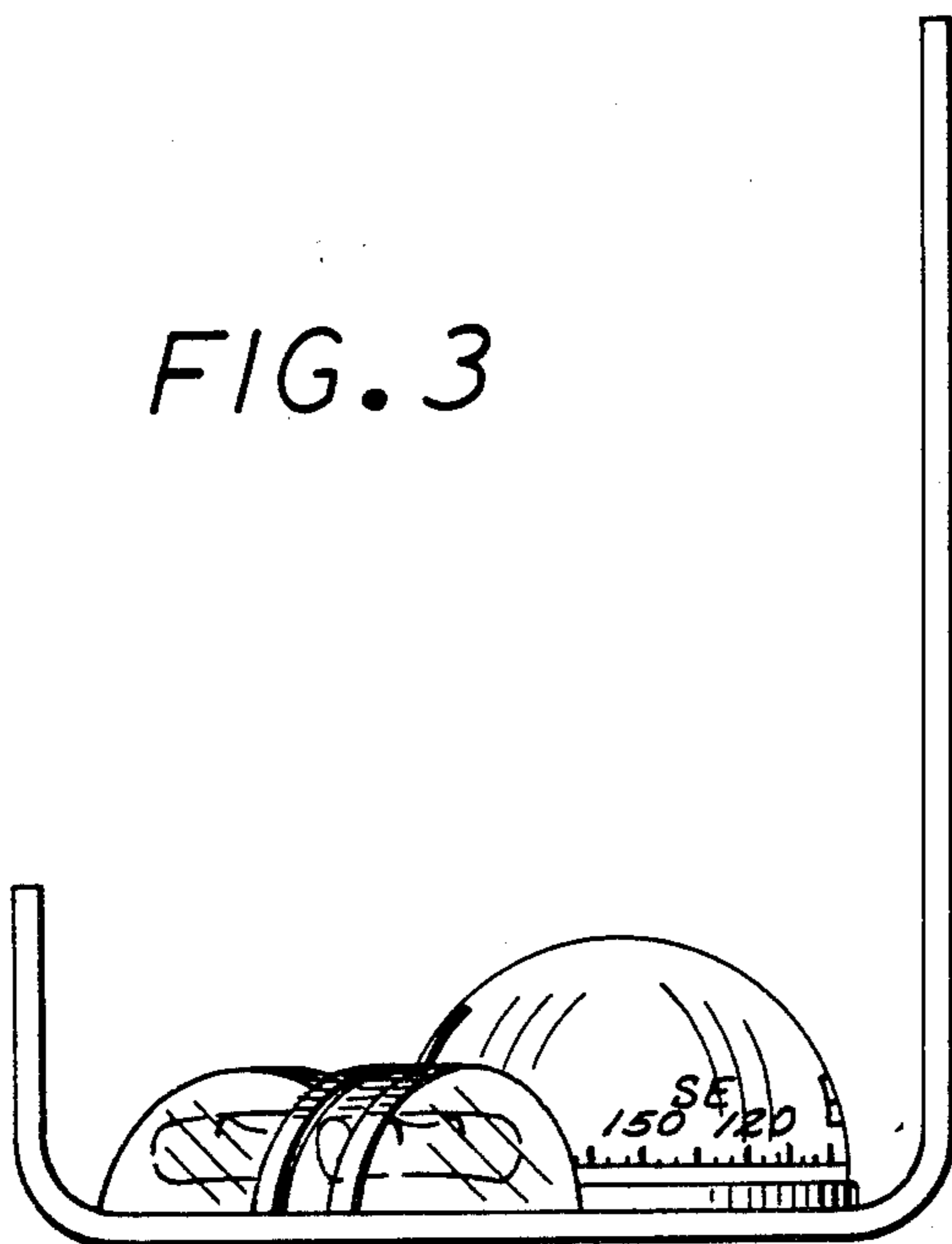
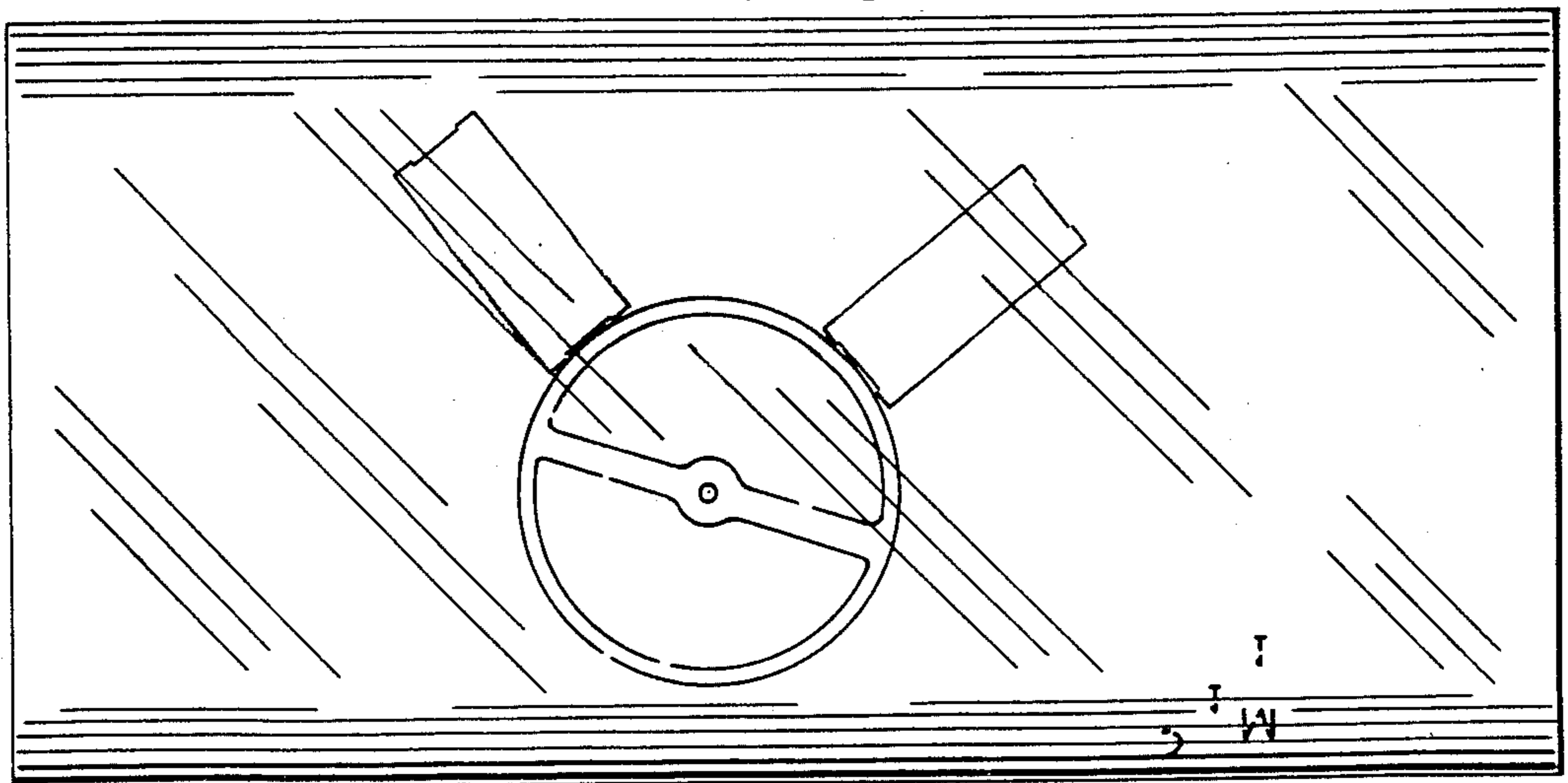


FIG. 5

FIG. 6



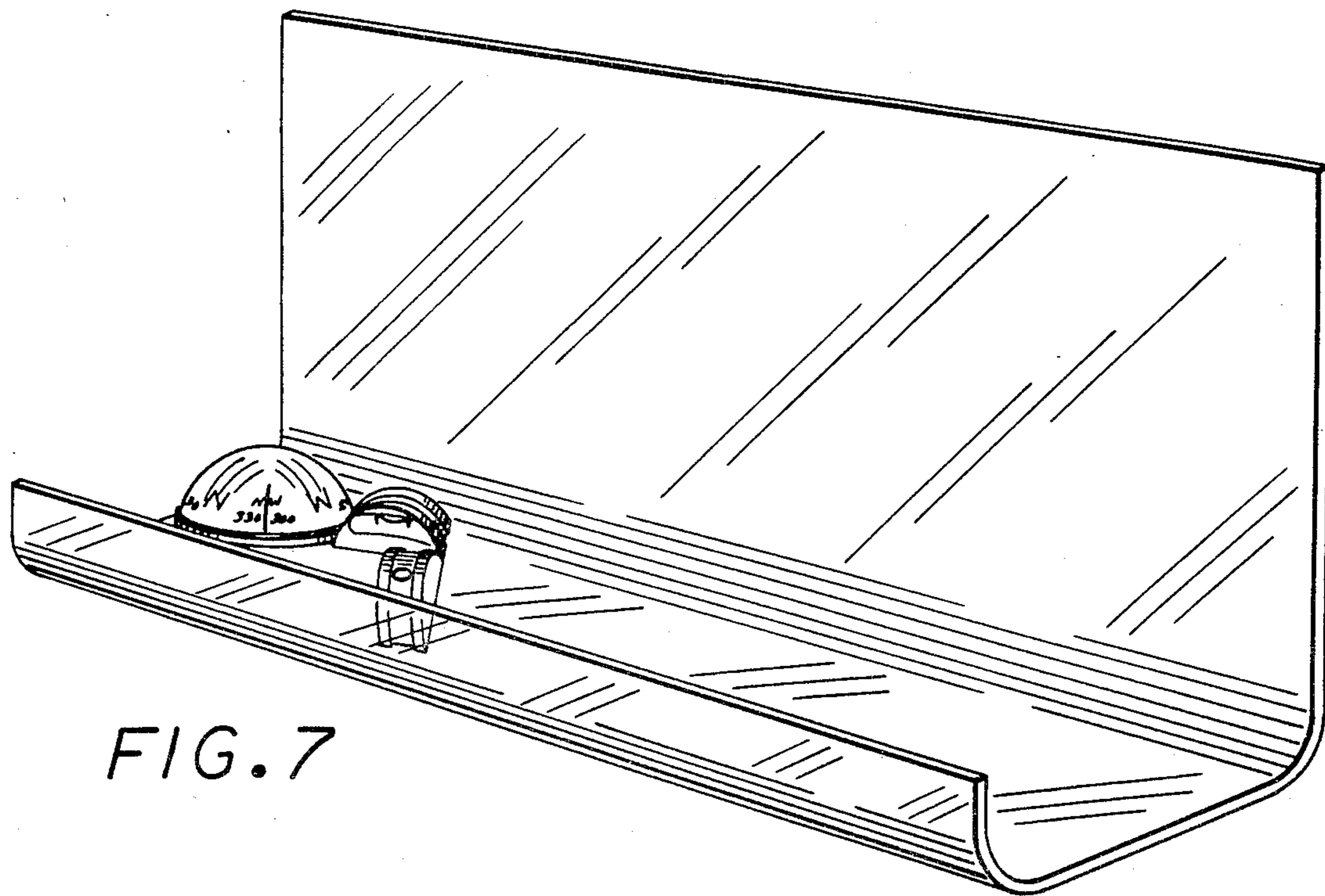


FIG. 7

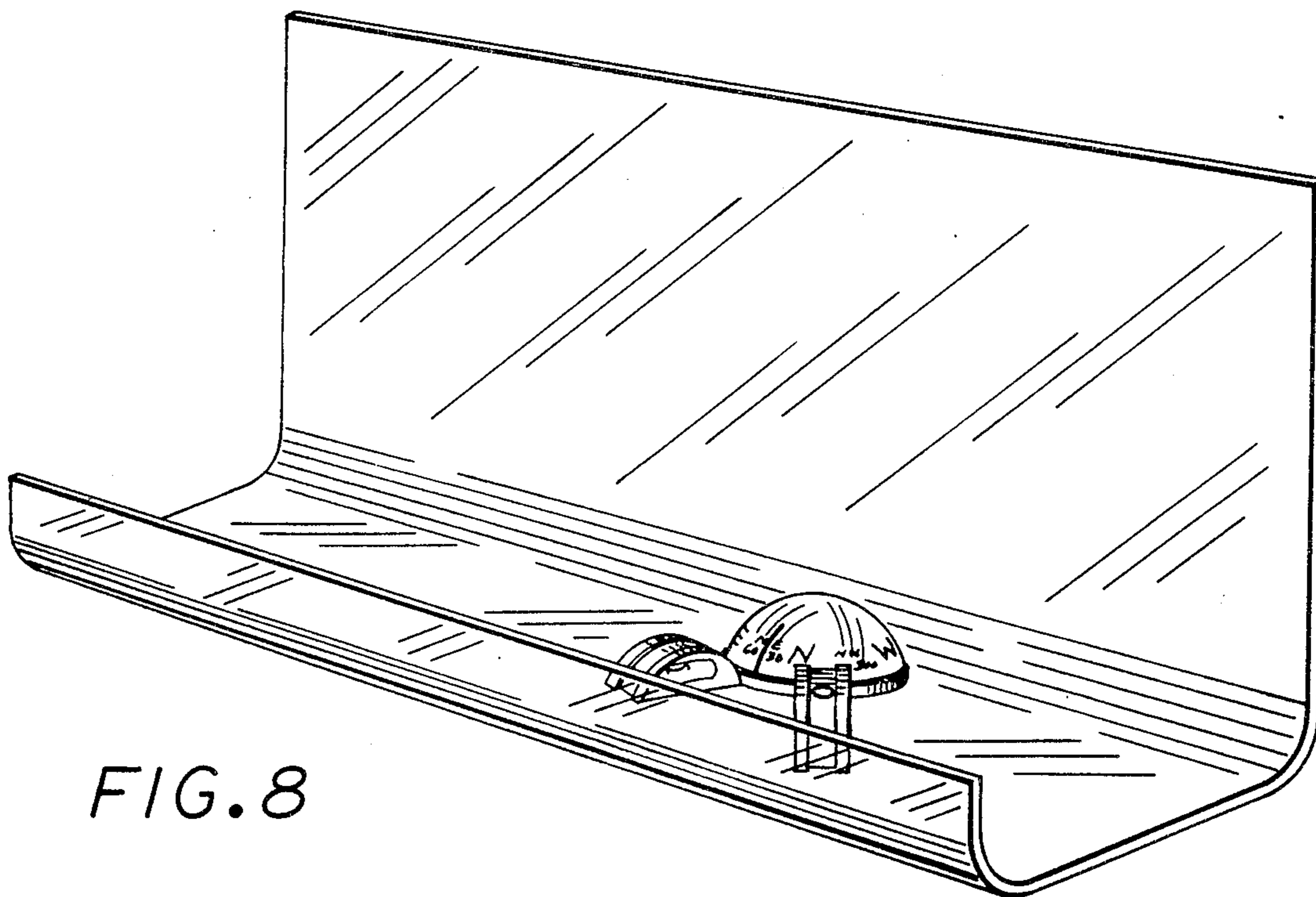


FIG. 8