

[54] ANTENNA

[75] Inventor: Donald R. Newcomb, Lockhart, Tex.

[73] Assignee: Butternut Electronics Co., Lockhart, Tex.

[\*\*] Term: 14 Years

[21] Appl. No.: 635,063

[22] Filed: Jul. 27, 1984

[52] U.S. Cl. .... D14/86

[58] Field of Search ..... D14/86, 88, 89, 90;  
343/900, 901, 722, 749, 750, 752

[56] References Cited

U.S. PATENT DOCUMENTS

- D. 260,522 9/1981 Guretzky ..... D14/86
- D. 277,483 2/1985 Newcomb ..... D14/86

- 4,209,790 6/1980 Newcomb ..... 343/901 X
- 4,259,672 3/1981 Newcomb ..... 343/722
- 4,442,436 4/1984 Newcomb ..... 343/750 X
- 4,496,952 1/1985 Newcomb ..... 343/722

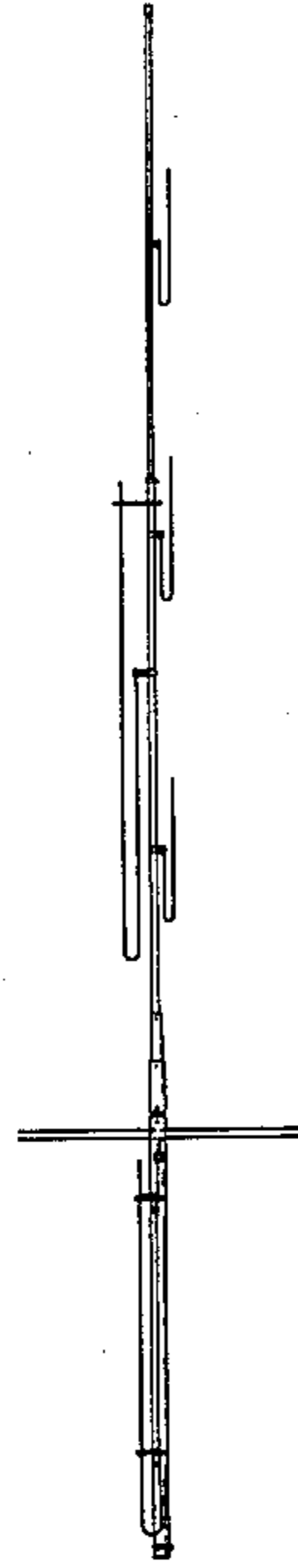
Primary Examiner—Bernard Ansher  
Assistant Examiner—Theodore M. Shooman  
Attorney, Agent, or Firm—Hugh D. Jaeger

[57] CLAIM

The ornamental design for an antenna, as shown.

DESCRIPTION

FIG. 1 is a front elevational view of an antenna showing my new design;  
FIG. 2 is a right side elevational view thereof;  
FIG. 3 is a rear elevational view thereof;  
FIG. 4 is a left side elevational view thereof;  
FIG. 5 is a bottom plan view thereof; and  
FIG. 6 is a top plan view thereof.



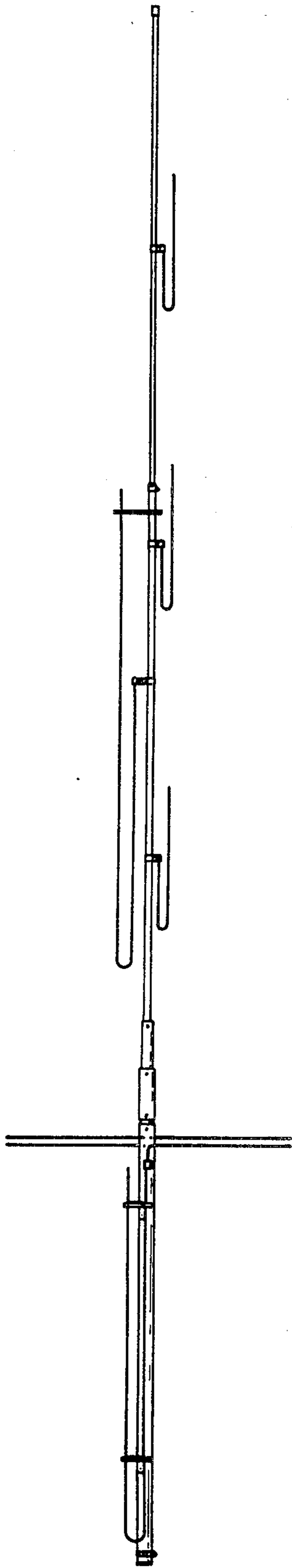


FIG. 1

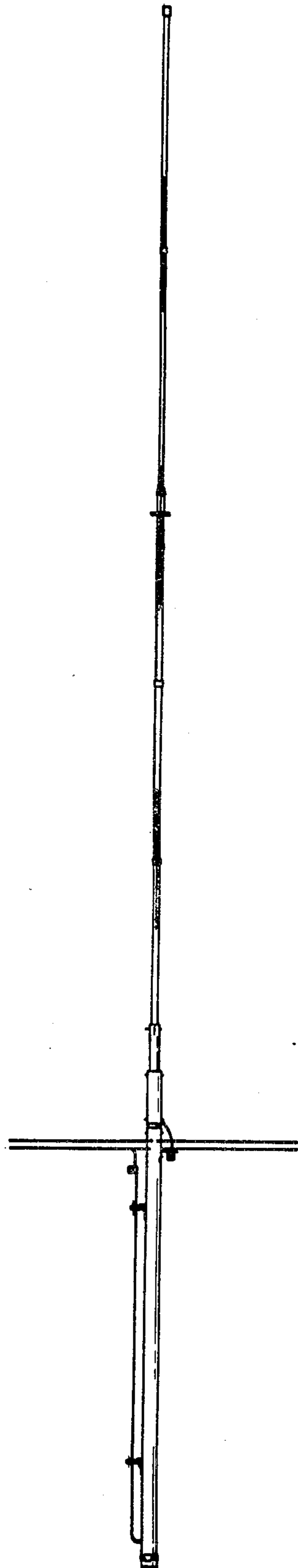


FIG. 2

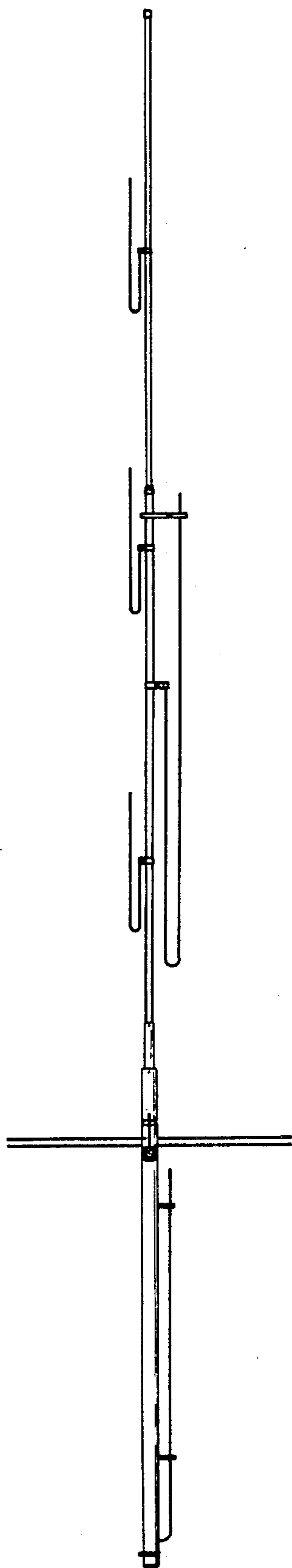


FIG. 3

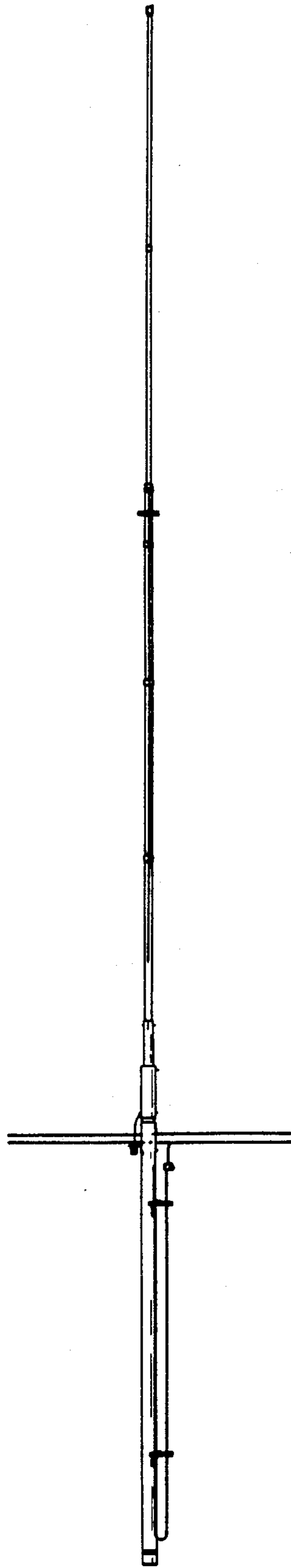


FIG. 4

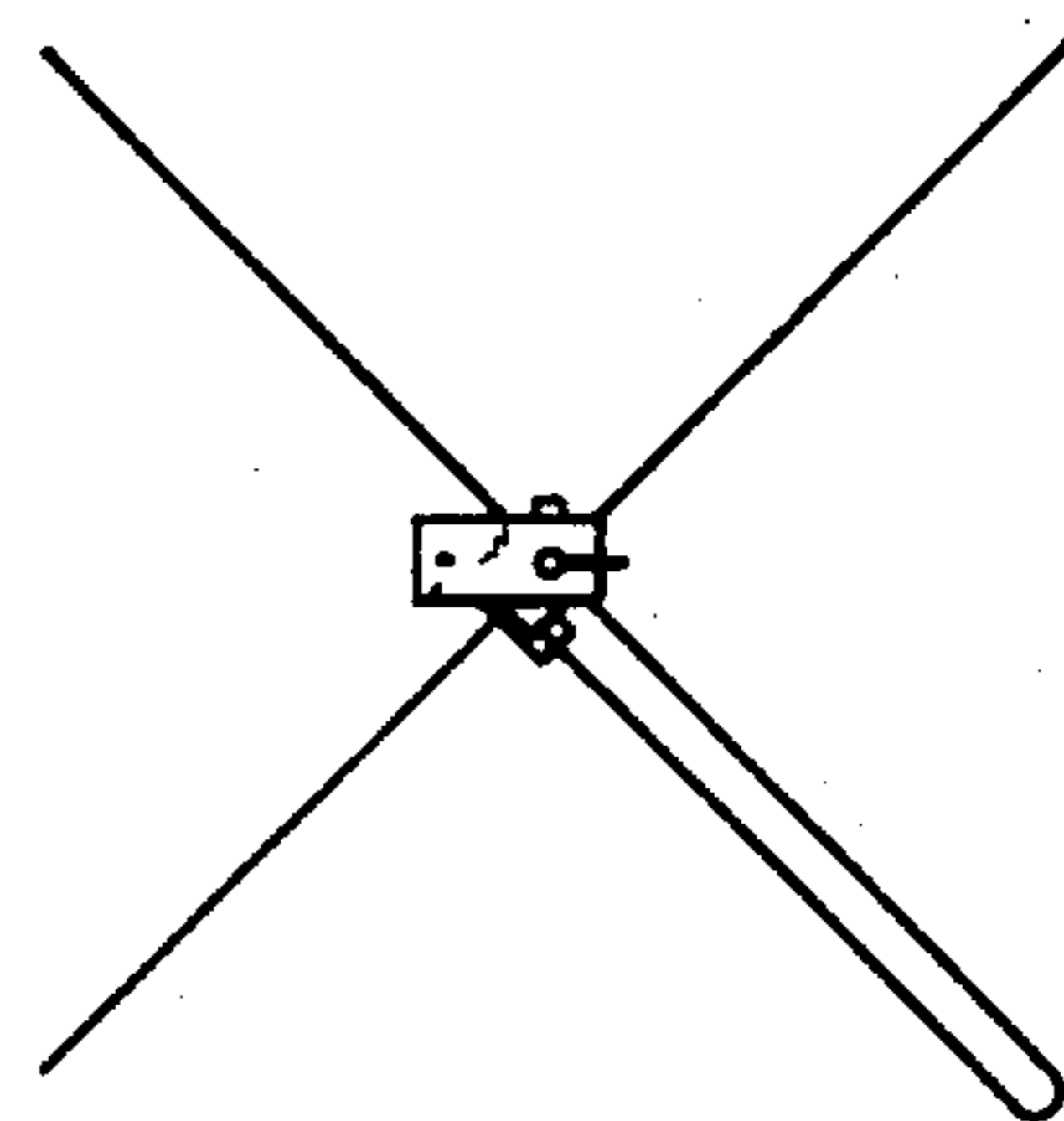


FIG. 5

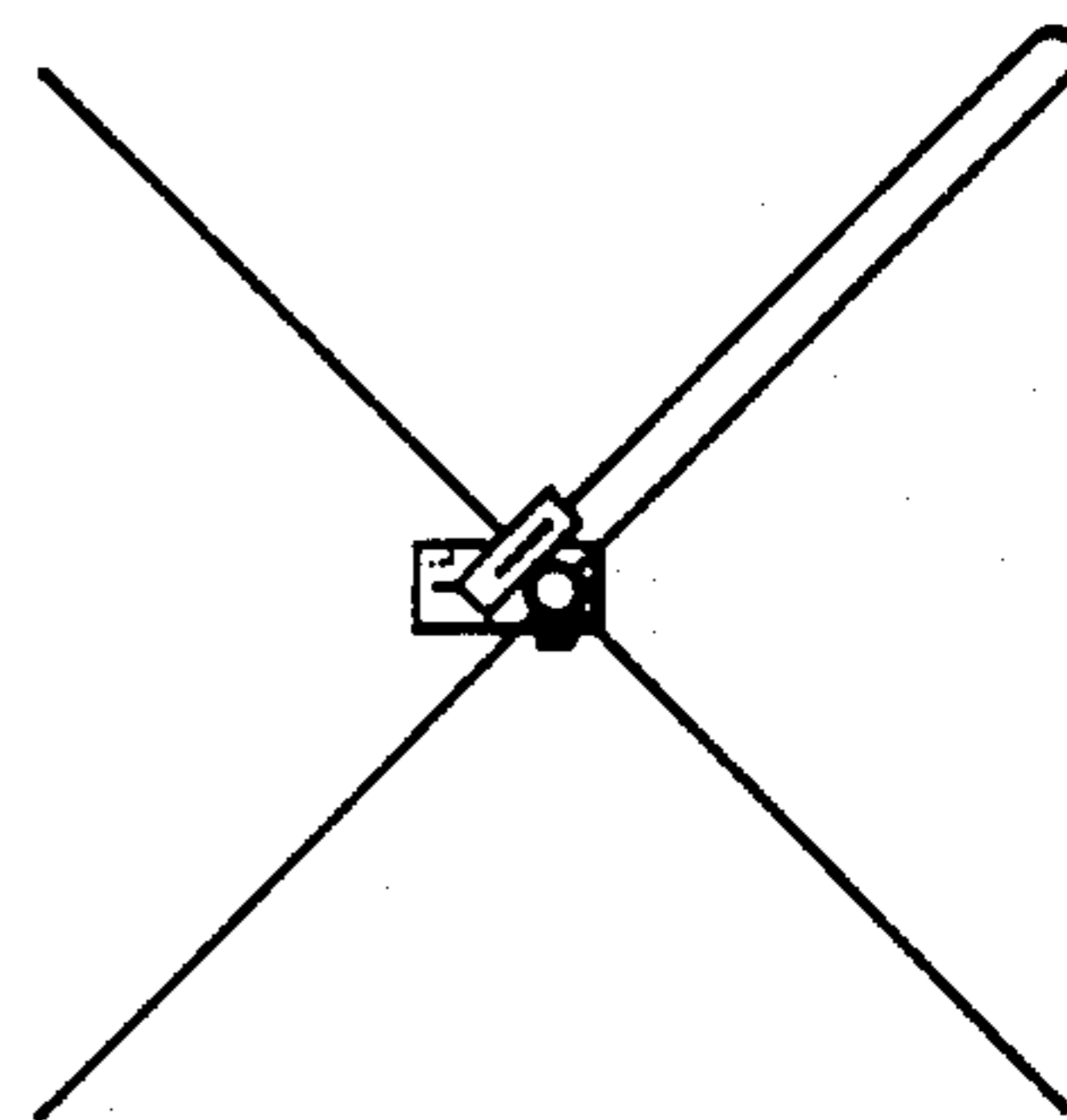


FIG. 6