

[54] CORDLESS HANDSET AND STAND TELEPHONE UNIT

[75] Inventor: Raymond G. Bond, Long Beach, Calif.

[73] Assignee: Fortel, Inc., Compton, Calif.

[*] Notice: The portion of the term of this patent subsequent to Jan. 27, 2001 has been disclaimed.

[**] Term: 14 Years

[21] Appl. No.: 651,758

[22] Filed: Sep. 18, 1984

[52] U.S. Cl. D14/53; D14/64; D14/60; D14/57

[58] Field of Search D14/52, 53, 58, 60, D14/62, 63, 64; 179/179, 100 R, 100 D, 100 L, 100 C, 102, 101, 103

[56] References Cited

U.S. PATENT DOCUMENTS

D. 229,837	1/1974	Genaro et al.	D14/63
D. 256,465	8/1980	Tyler	D14/63
D. 270,157	8/1983	Boldt et al.	D14/63
D. 272,441	1/1984	Carr	D14/53
D. 272,533	2/1984	Coons et al.	D14/53
D. 274,244	6/1984	Kim	D14/53
D. 277,571	2/1985	Cooke et al.	D14/60
D. 278,337	4/1985	Banko	D14/56
D. 279,895	7/1985	Menei	D14/53

OTHER PUBLICATIONS

Popular Mechanics, vol. 159, No. 4, Apr. 1983, p. 199, "Handset of the Everything Phone" by New Horizons. Spiegel Cat. Fall 1983, at p. 609, Uniden Extend-A-Phone EX-6000.

Best 1983-84 Cat., at p. 335, Panasonic Model "Easaphone".

B. A. Pargh Co. Inc., Cat. ©1983, at p. 23, Web-Cor Zip 700 Cordless Model, No. 5762 T; at p. 23, Sanyo Model TH1015.

Primary Examiner—Wallace R. Burke
Assistant Examiner—Horace B. Fay
Attorney, Agent, or Firm—Keith D. Beecher

[57] CLAIM

The ornamental design for cordless handset and stand telephone unit, as shown and described.

DESCRIPTION

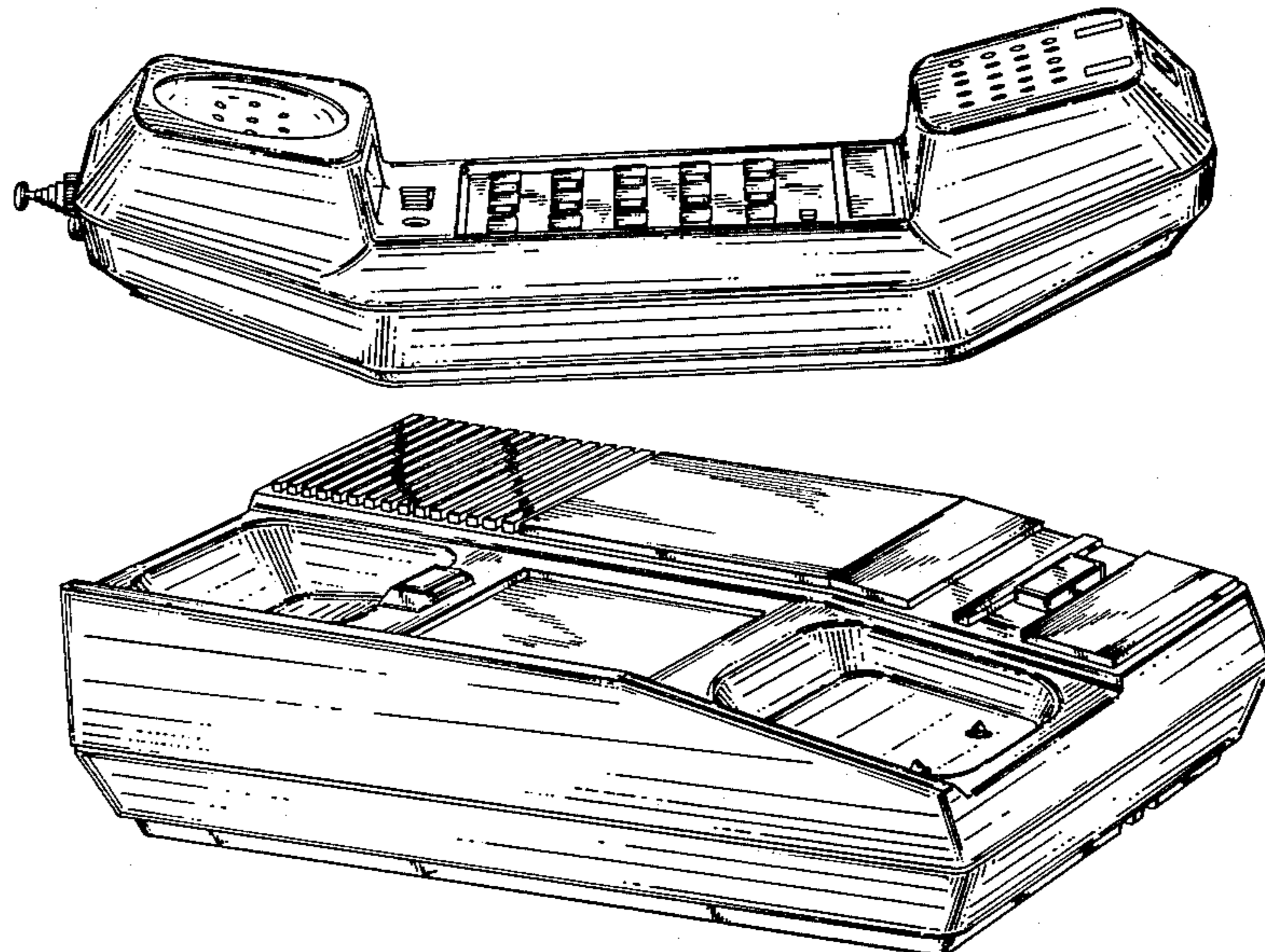
FIG. 1 is a front, top and right side perspective view of a cordless handset and stand telephone unit showing my new design cradled in its stand;

FIG. 2 is a front, top and right side perspective view of the stand of FIG. 1 and a top plan view of the handset thereof;

FIG. 3 is a top and left side perspective view of the stand of FIG. 1, and a bottom and right side perspective view of the handset thereof;

FIG. 4 is a top and rear perspective view of the cradled unit of FIG. 1; and

FIG. 5 is a bottom plan view thereof.



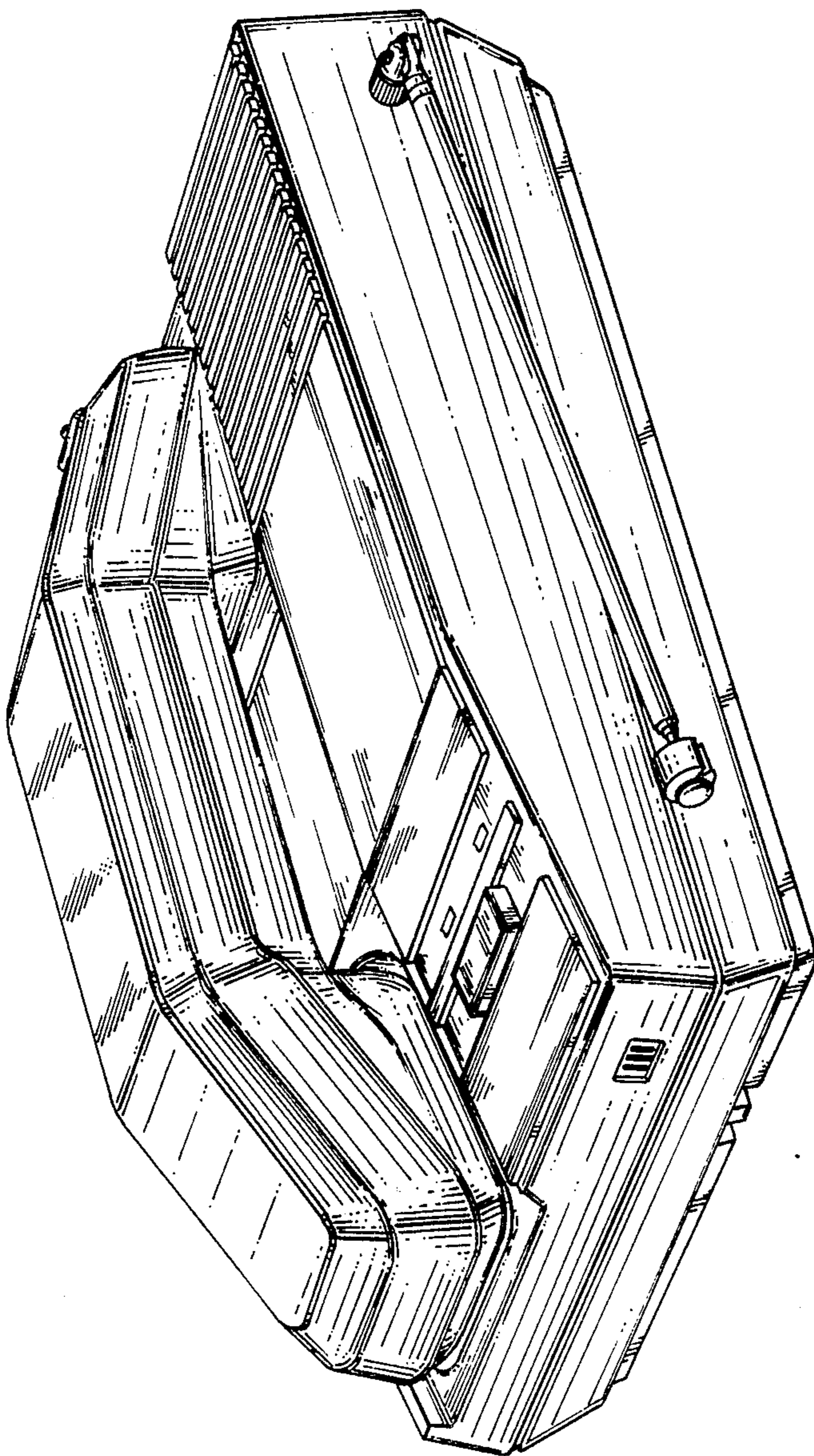
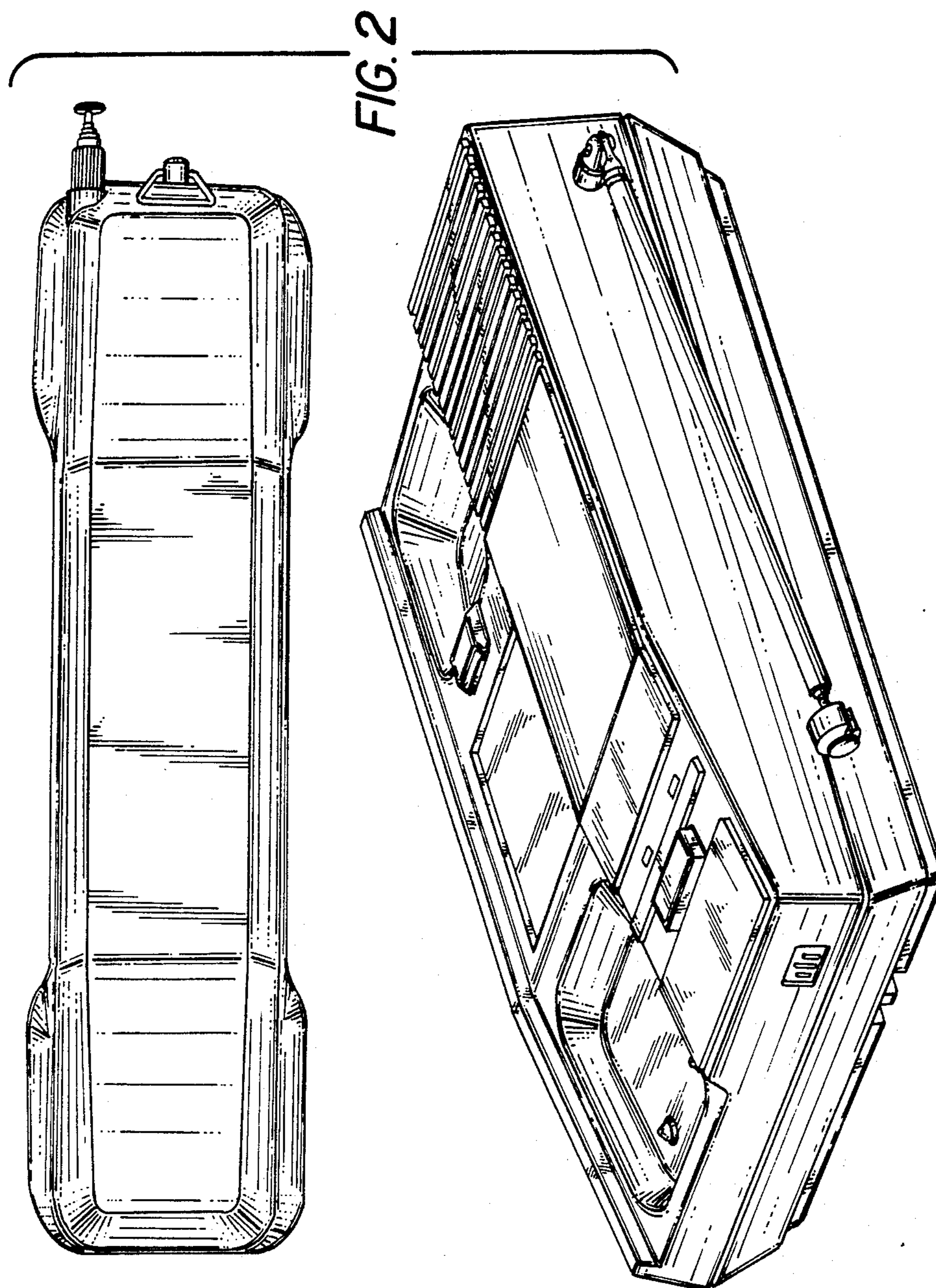


FIG. 1



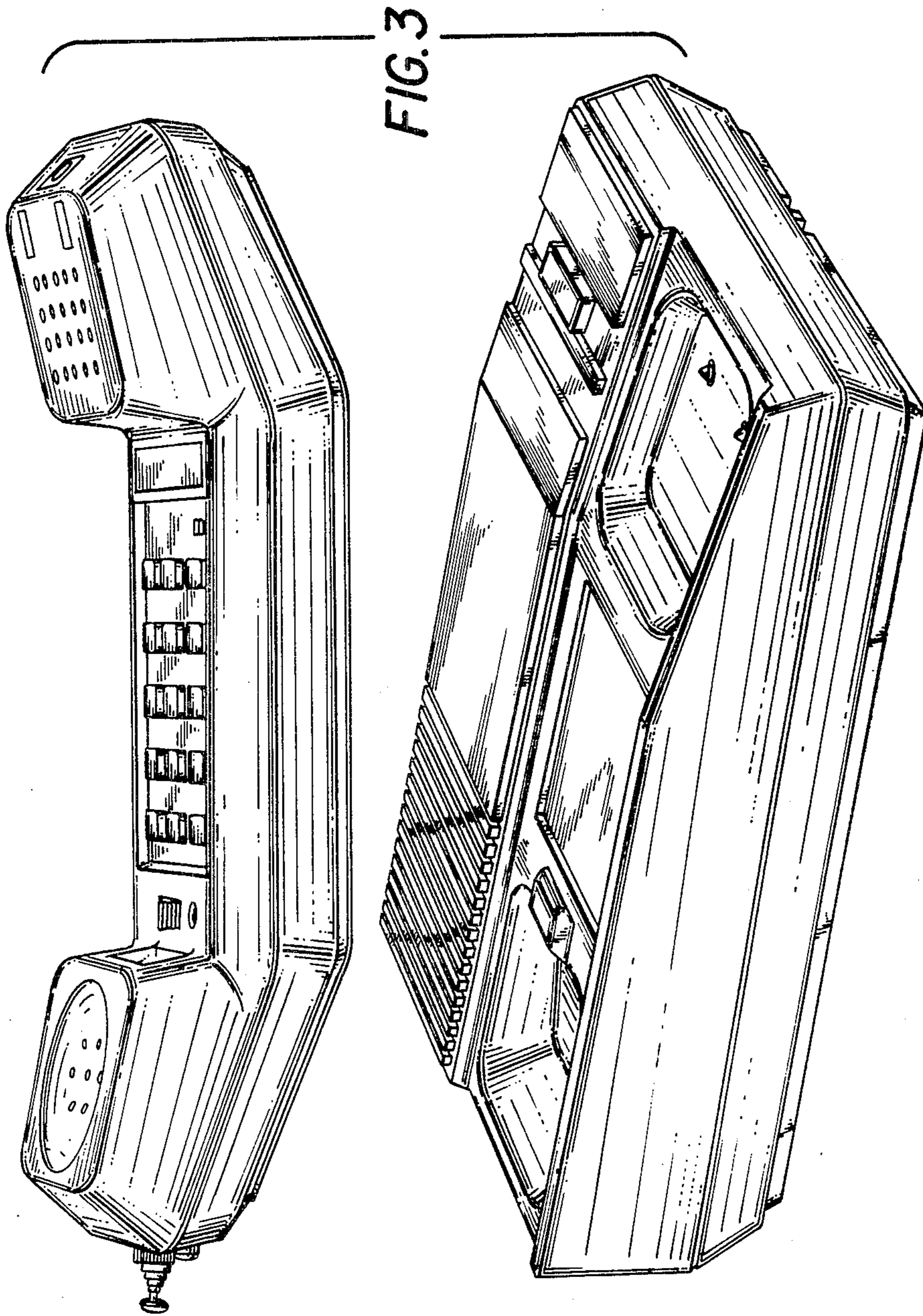


FIG. 4

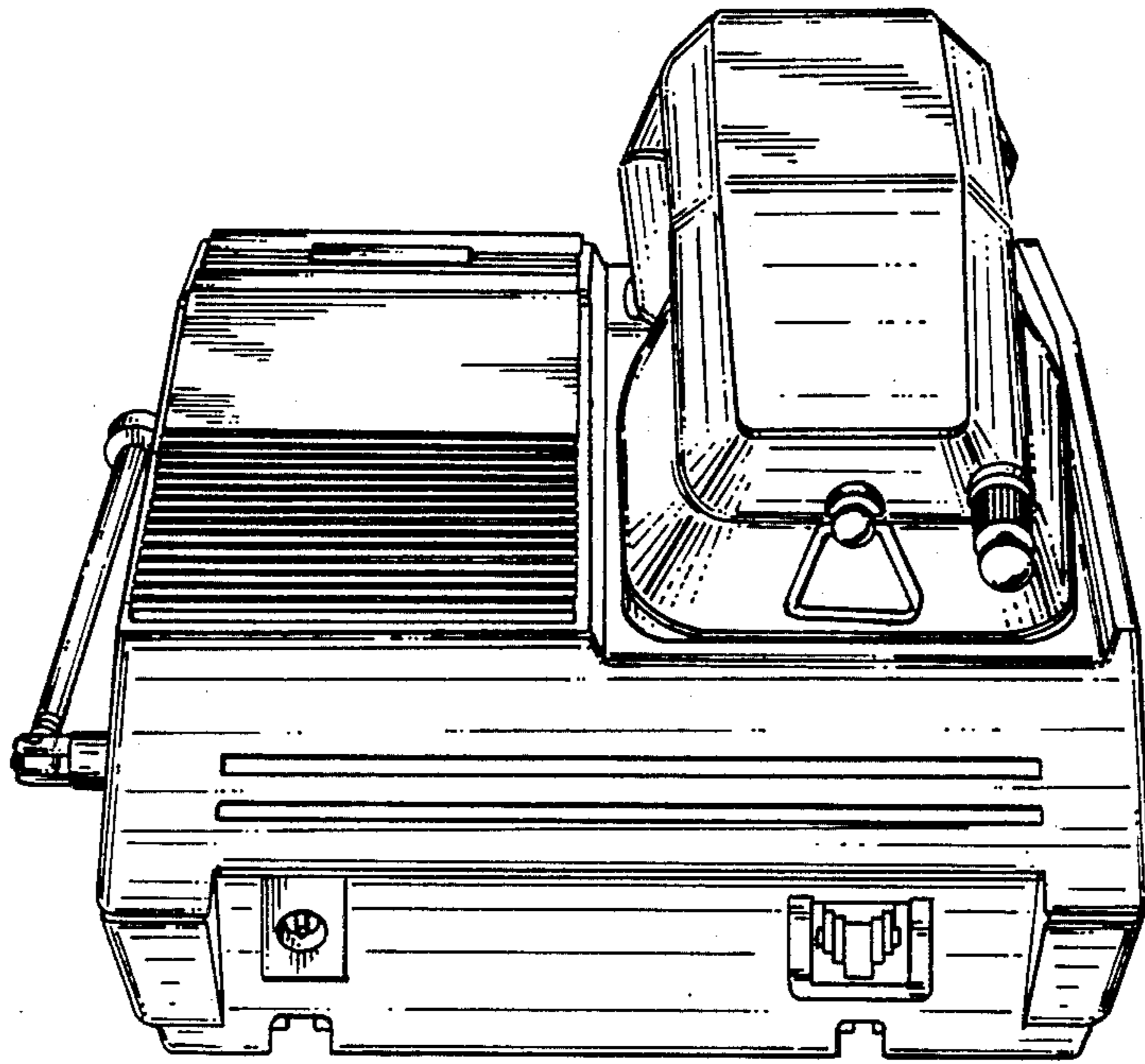


FIG. 5

