

[54] OPTICAL PICKUP FOR USE IN OPTICAL DISCS

4,106,057 8/1978 Van Vroenhoven 369/111
4,193,091 3/1980 Kleuters et al. 369/111 X

[75] Inventors: Haruhiko Takemura, Hino; Nobuhide Matsubayashi; Tsuneo Yanagida, both of Hachioji; Masaharu Sakamoto, Tokyo, all of Japan

Primary Examiner—Bernard Ansher
Assistant Examiner—Theodore M. Shooman
Attorney, Agent, or Firm—Ostrolenk, Faber, Gerb & Soffen

[73] Assignee: Olympus Optical Company, Ltd., Japan

[57] CLAIM

The ornamental design for an optical pickup for use in an optical disc, as shown and described.

[**] Term: 14 Years

DESCRIPTION

[21] Appl. No.: 604,132

[22] Filed: Apr. 26, 1984

[30] Foreign Application Priority Data

Oct. 31, 1983 [JP] Japan 58-47267

[52] U.S. Cl. D14/1; D14/10

[58] Field of Search D14/1, 10, 99, 6, 5, D14/2; D16/130; 369/111; 358/342

FIG. 1 is a front elevational view of an optical pickup for use in optical discs, showing our new design; FIG. 2 is a rear elevational view thereof; FIG. 3 is a left side elevational view thereof; FIG. 4 is a right side elevational view thereof; FIG. 5 is a top plan view thereof; FIG. 6 is a bottom plan view thereof; FIG. 7 is a front, right side and top perspective view thereof; FIG. 8 is a rear, left side and bottom perspective view thereof; FIG. 9 is a top, front and right side perspective view thereof, the broken line showing is for illustrative purposes only and form no part of the claimed design.

[56] References Cited

U.S. PATENT DOCUMENTS

D. 278,428 4/1985 Tsuchihashi et al. D14/1
4,003,059 1/1977 Sugiura et al. 369/111 X

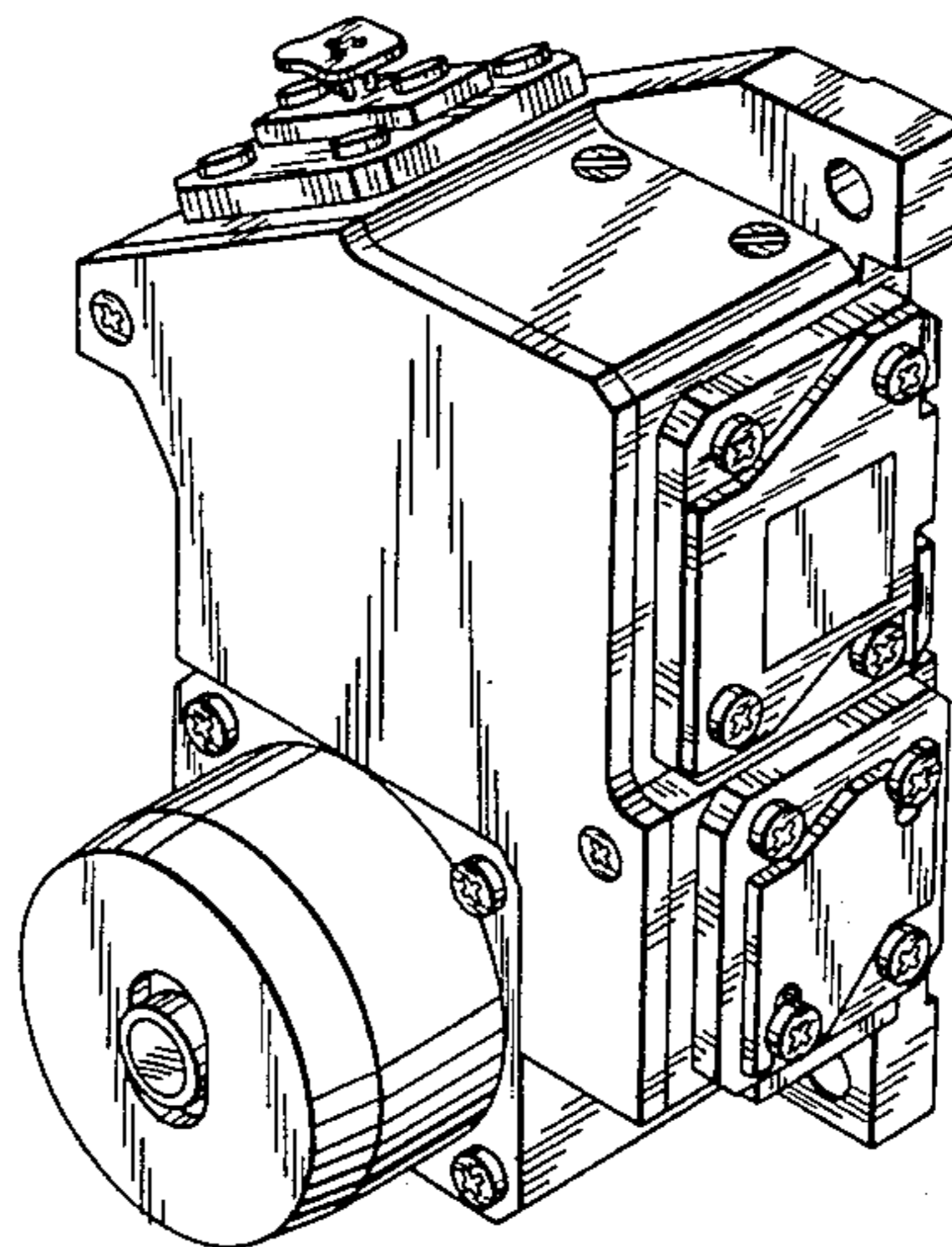


FIG. 1

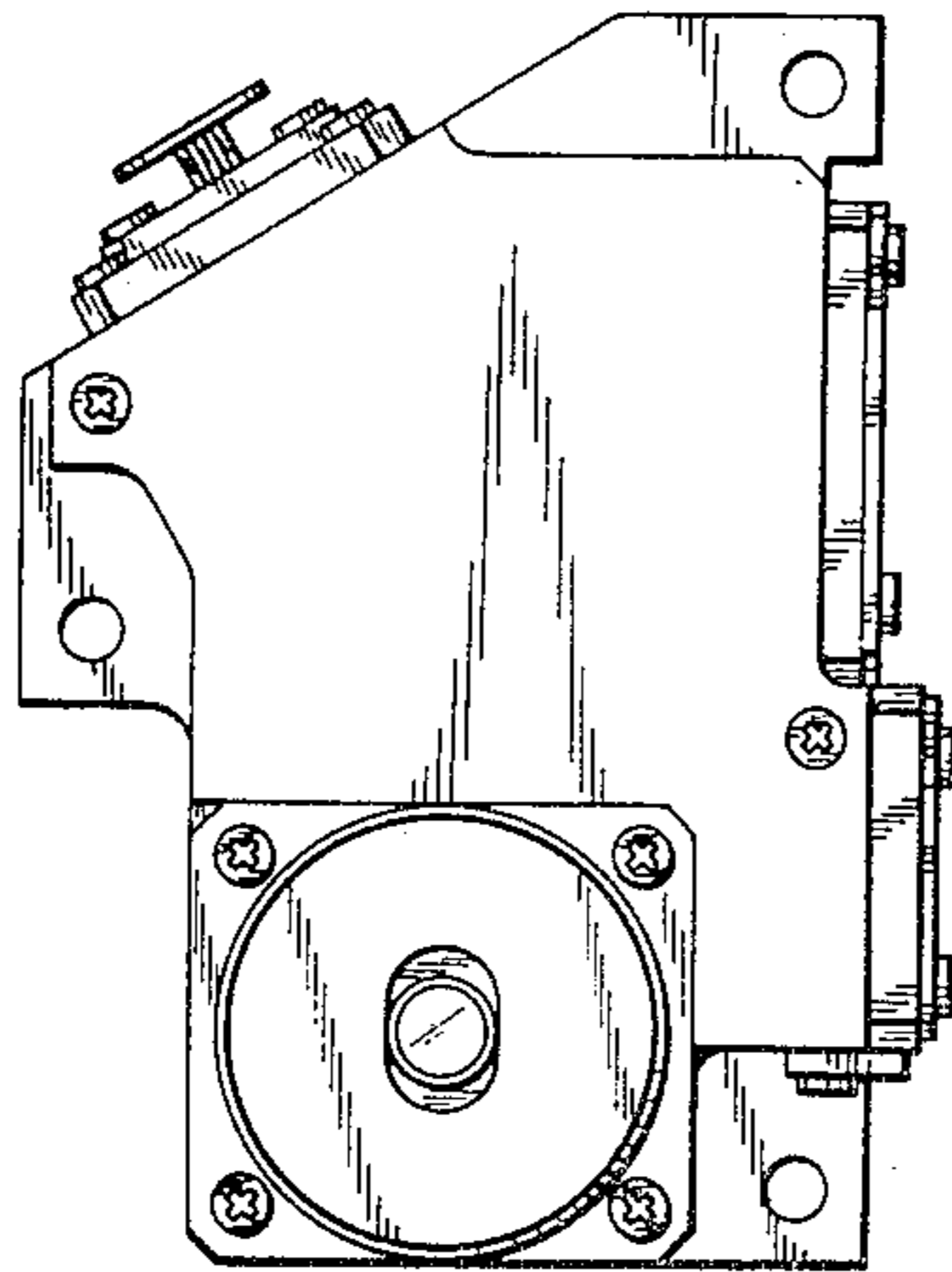


FIG. 2

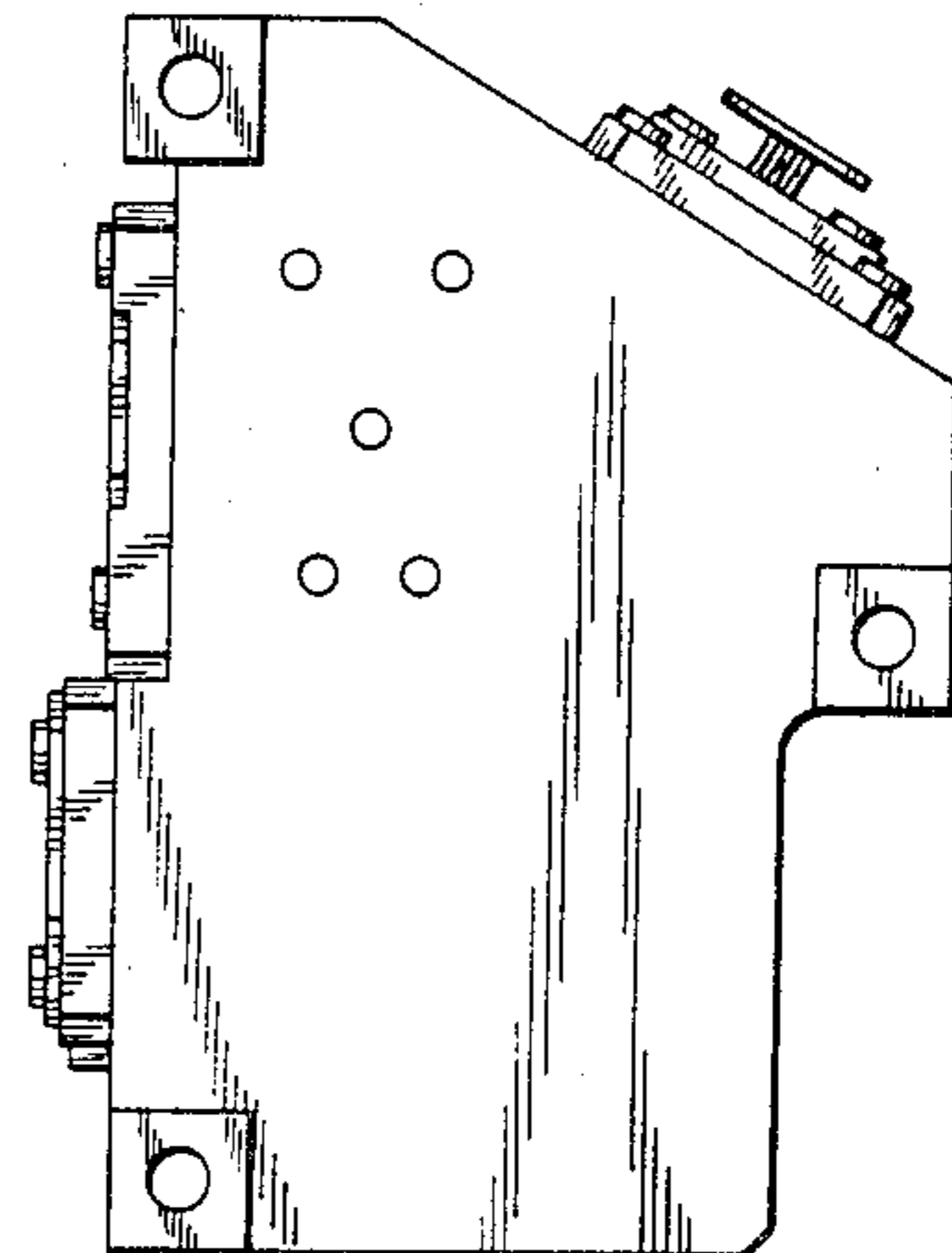


FIG. 3

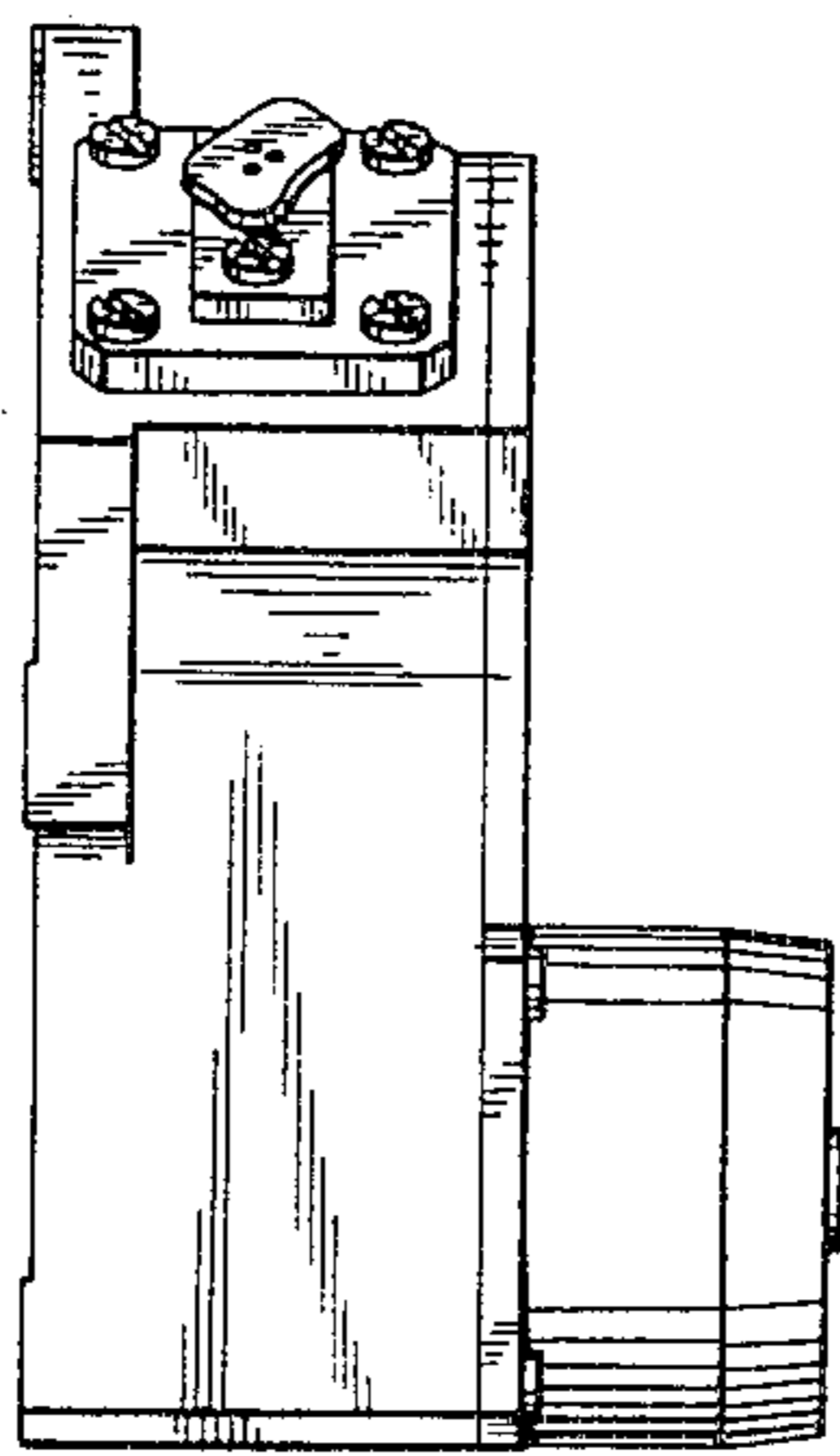


FIG. 4

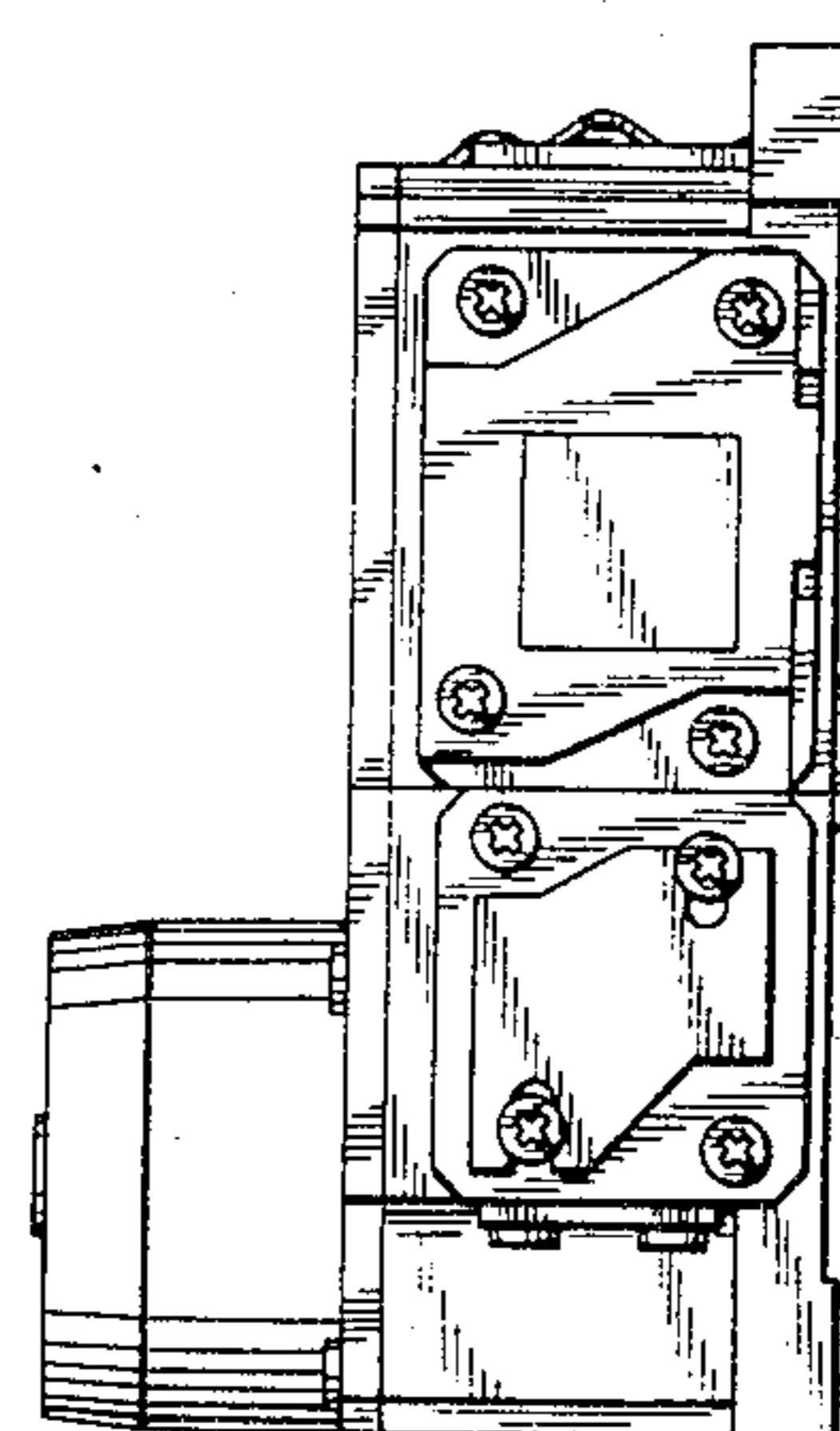


FIG. 5

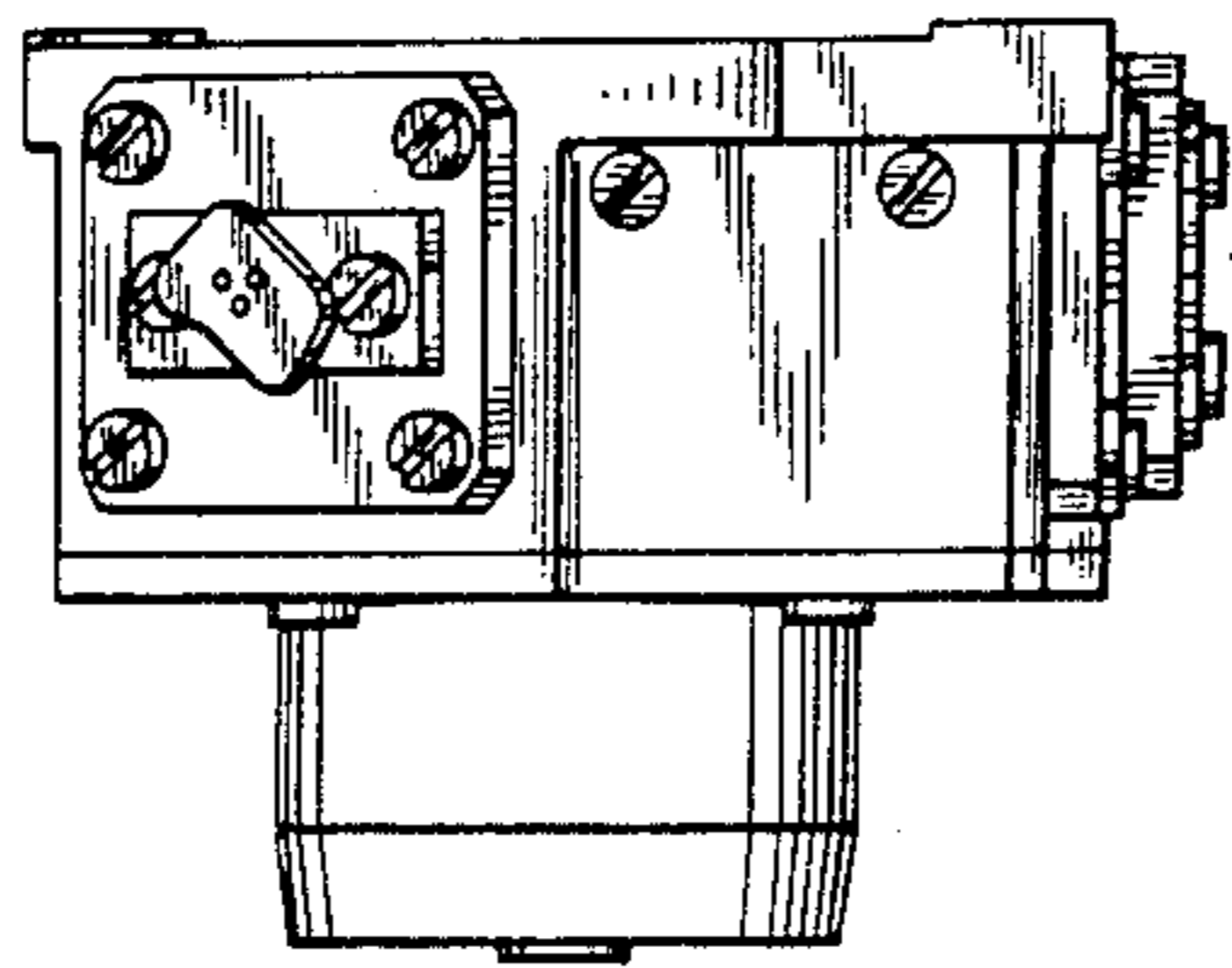


FIG. 6

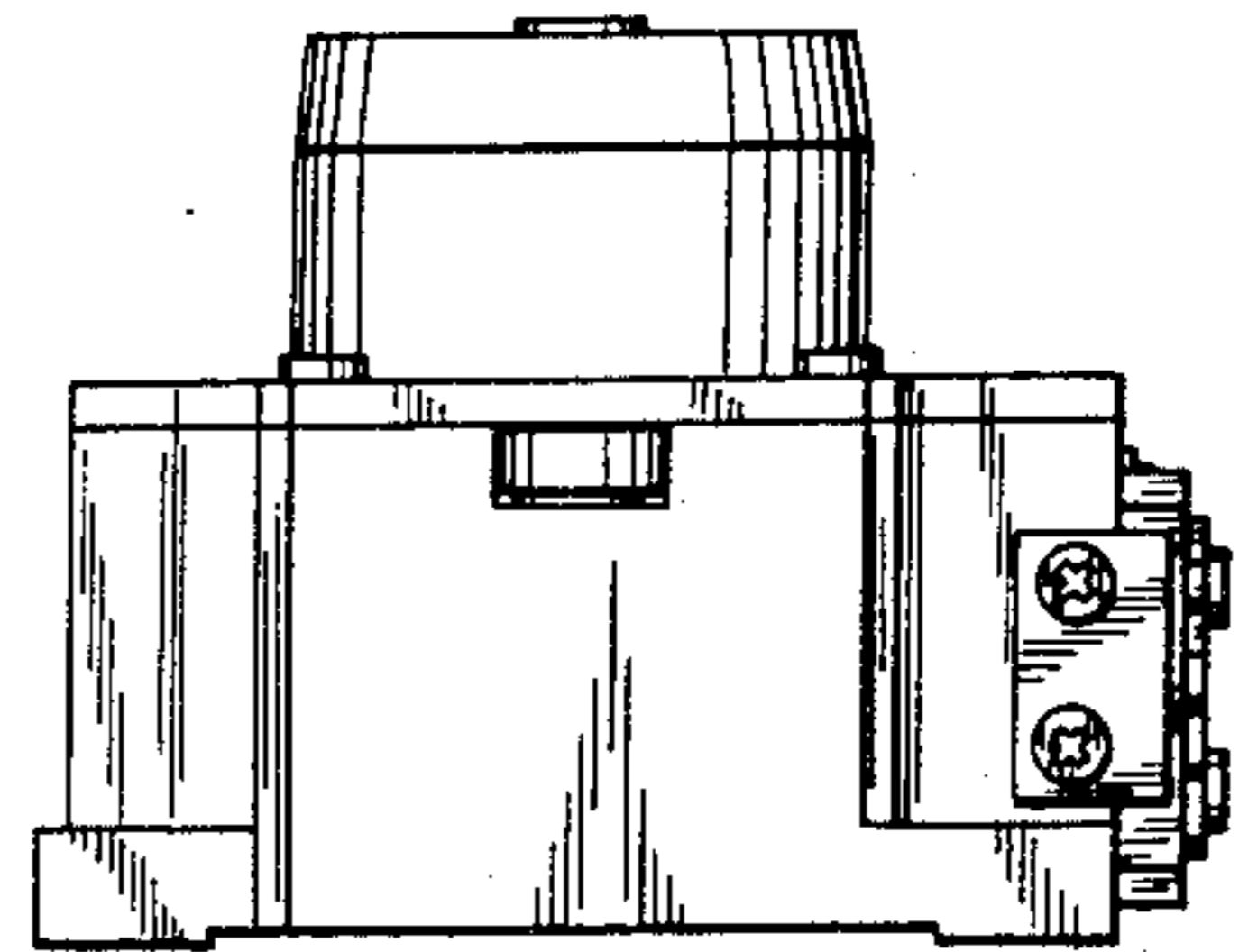


FIG. 7

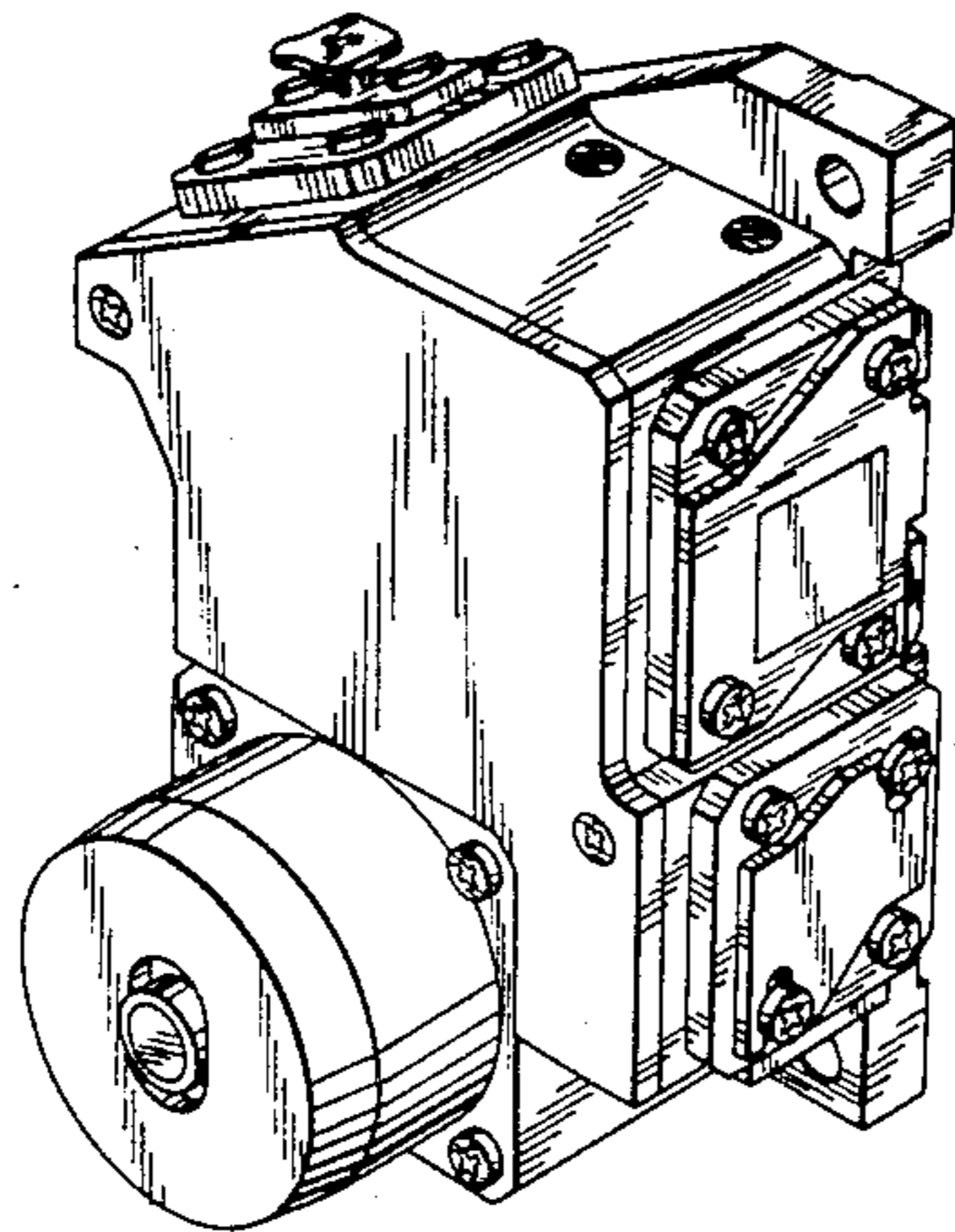


FIG. 8

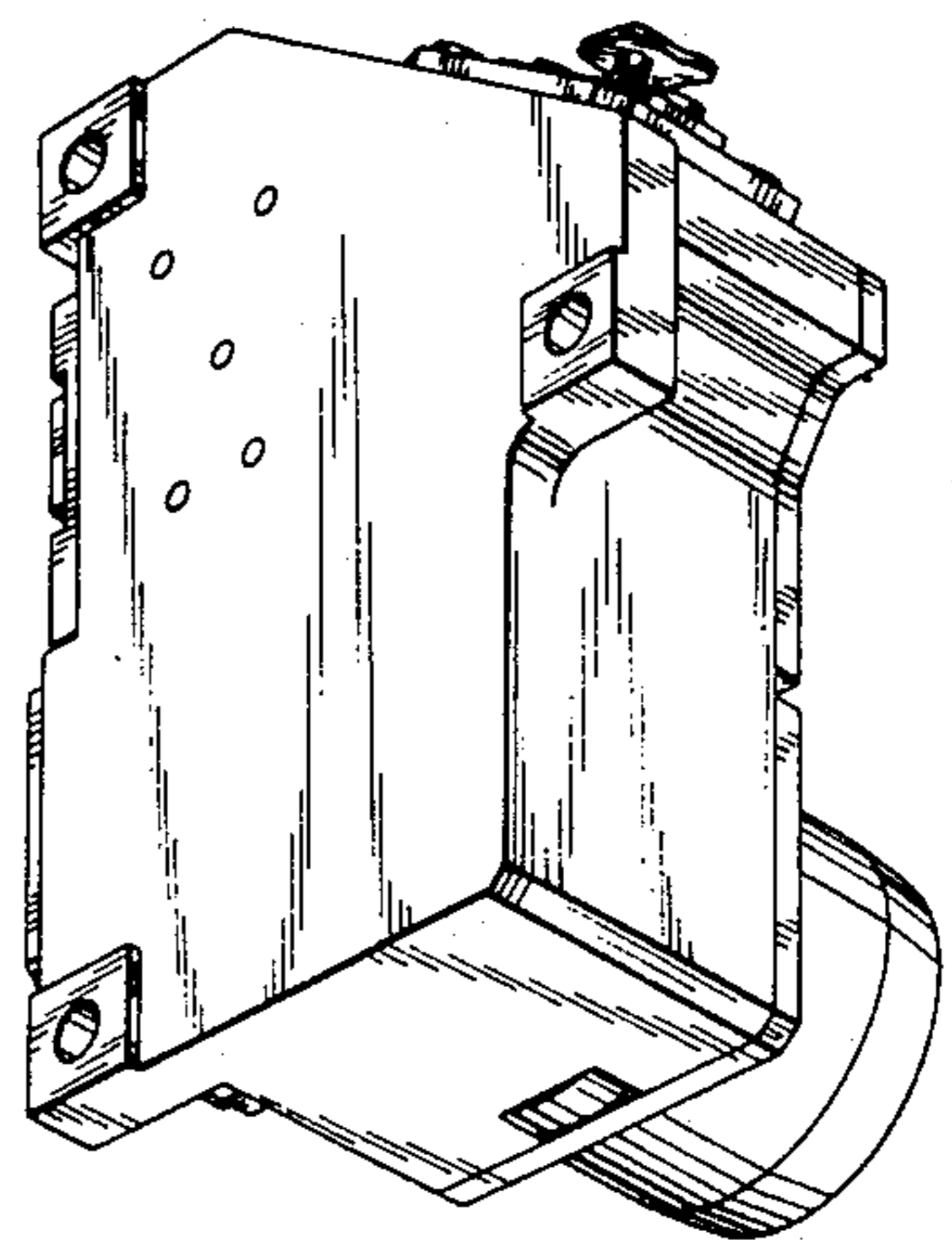


FIG. 9

