

United States Patent [19]

Yokomizo et al.

[11] Patent Number: **Des. 288,554**

[45] Date of Patent: **** Mar. 3, 1987**

[54] ELECTRICAL CONNECTOR HOUSING

[75] Inventors: **Zenji Yokomizo, Yokohama; Mitsuo Kondo, Chiba, both of Japan**

[73] Assignee: **Honda Tsushin Kogyo Co., Ltd., Tokyo, Japan**

[**] Term: **14 Years**

[21] Appl. No.: **579,605**

[22] Filed: **Feb. 13, 1984**

[30] Foreign Application Priority Data

Aug. 15, 1983 [JP] Japan 58-35535

[52] U.S. Cl. **D13/24**

[58] Field of Search **D13/25, 24, 27-31; 339/97 R, 97 P, 98, 99 R, 91 R, 184 M**

[56] References Cited

U.S. PATENT DOCUMENTS

D. 218,747 9/1970 Bennett et al. D13/24
D. 242,862 12/1976 Huber D26/1 A
4,345,813 8/1982 Hatch 339/184 M
4,350,404 9/1982 Clark et al. 339/97 R

4,410,229 10/1983 Stephenson 339/99 R X

FOREIGN PATENT DOCUMENTS

521133 9/1975 Japan .
55-42003 10/1980 Japan .

Primary Examiner—Susan J. Lucas
Attorney, Agent, or Firm—Birch, Stewart, Kolasch & Birch

[57] CLAIM

The ornamental design for an electrical connector housing, as shown and described.

DESCRIPTION

FIG. 1 is a front elevational view of an electrical connector housing showing our new design.
FIG. 2 is a back elevational view thereof;
FIG. 3 is a top plan view thereof;
FIG. 4 is a bottom plan view thereof;
FIG. 5 is a left side elevational view thereof; the right side being a mirror image;
FIG. 6 is a sectional view taken along the line VI—VI in FIG. 1; and
FIG. 7 is a top, front perspective view thereof.

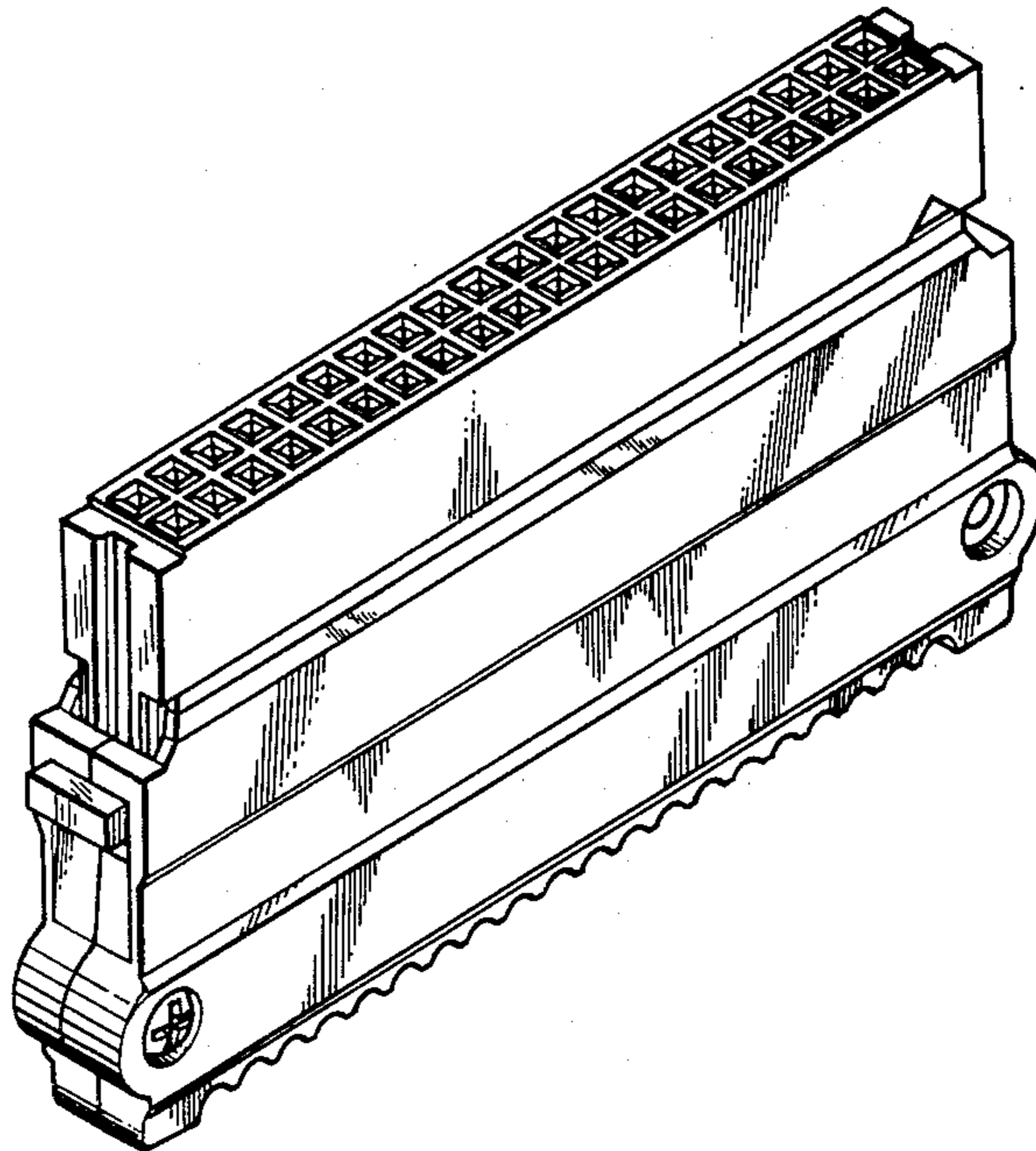


FIG. 1

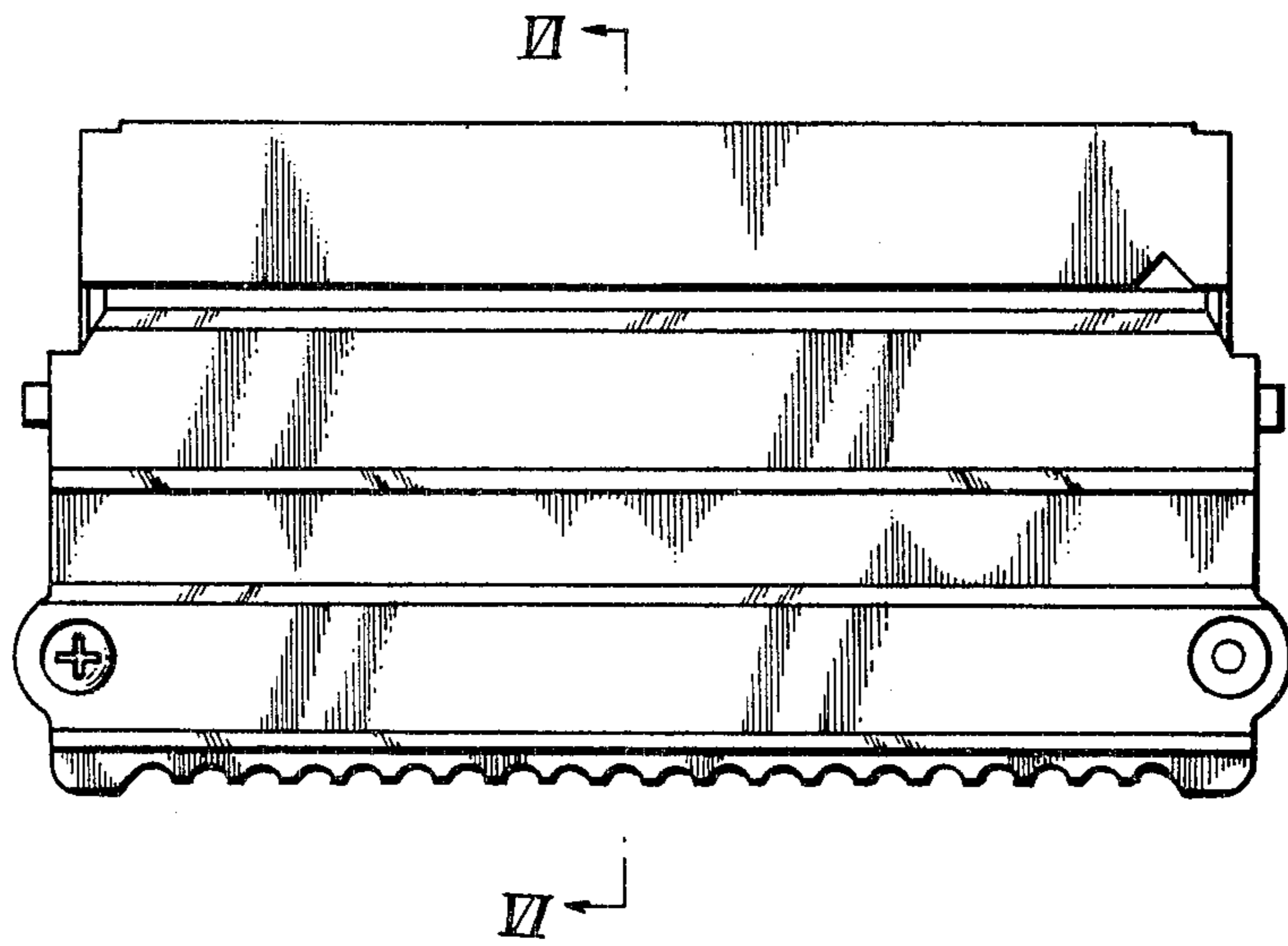


FIG. 2

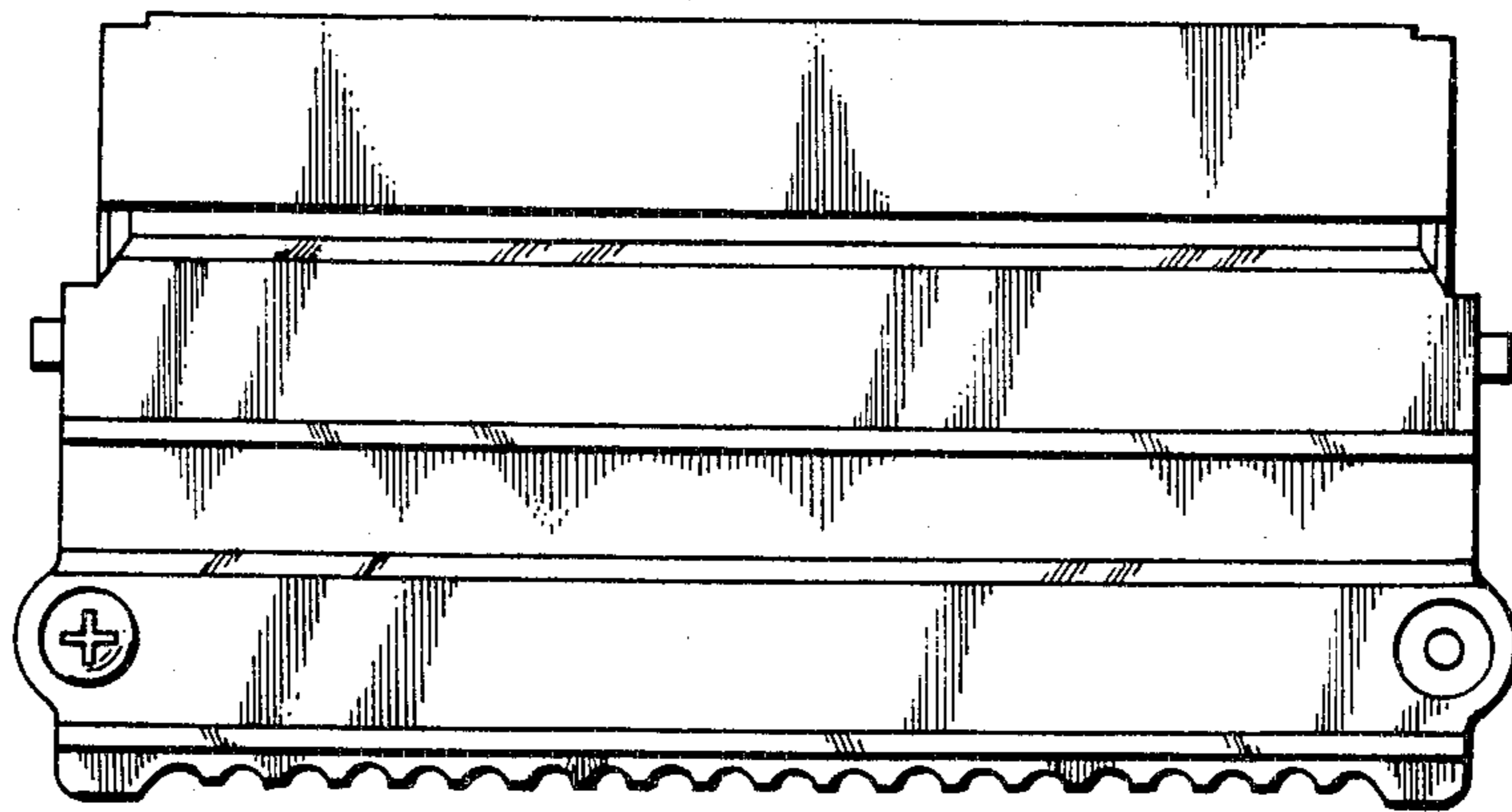


FIG. 3

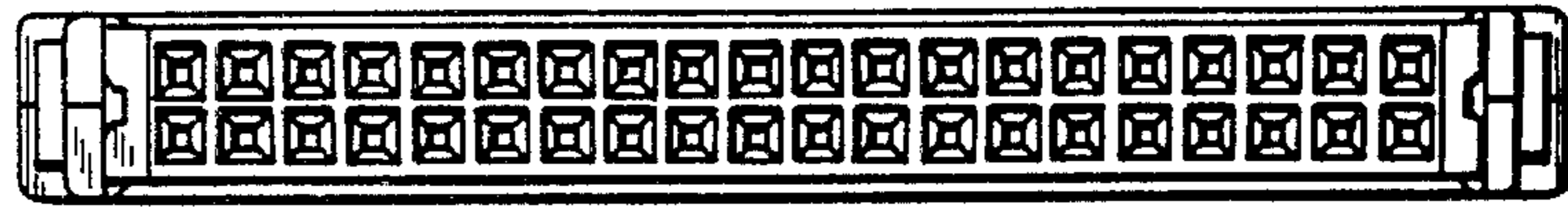


FIG. 4



FIG.5

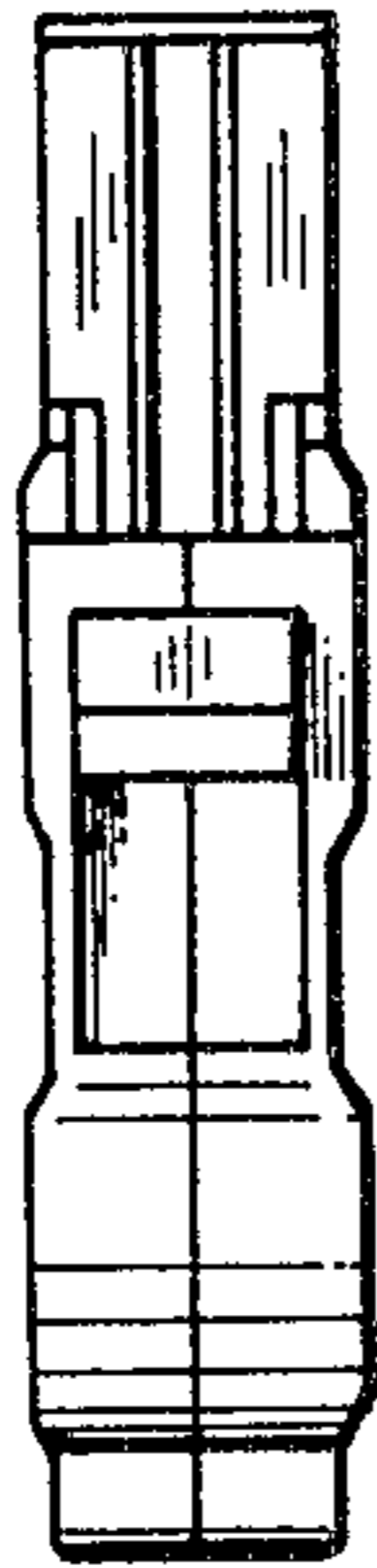


FIG.6



FIG.7

