

[54] FRONT BUMPER

[75] Inventors: Björn E. A. Envall, Vänersborg, Sweden; Giorgetto Giugiaro, Turin, Italy

[73] Assignee: Saab-Scania Aktiebolag, Trollhattan, Sweden

[**] Term: 14 Years

[21] Appl. No.: 603,946

[22] Filed: Apr. 24, 1984

[30] Foreign Application Priority Data

Oct. 26, 1983 [SE] Sweden 83-2778
[52] U.S. Cl. D12/169
[58] Field of Search D12/169; 293/120, 121, 293/136

[56] References Cited

U.S. PATENT DOCUMENTS

D. 274,613 7/1984 Yamashita D12/169
4,509,782 4/1985 Manning 293/121

OTHER PUBLICATIONS

Motor Trend, 5/82, p. 32, Front Bumper of Volvo Station Wagon, bottom of page, Motor Trend 5/82, and pp. 96 & 97, Front Bumper of Saab 900 Turbo, top of page.

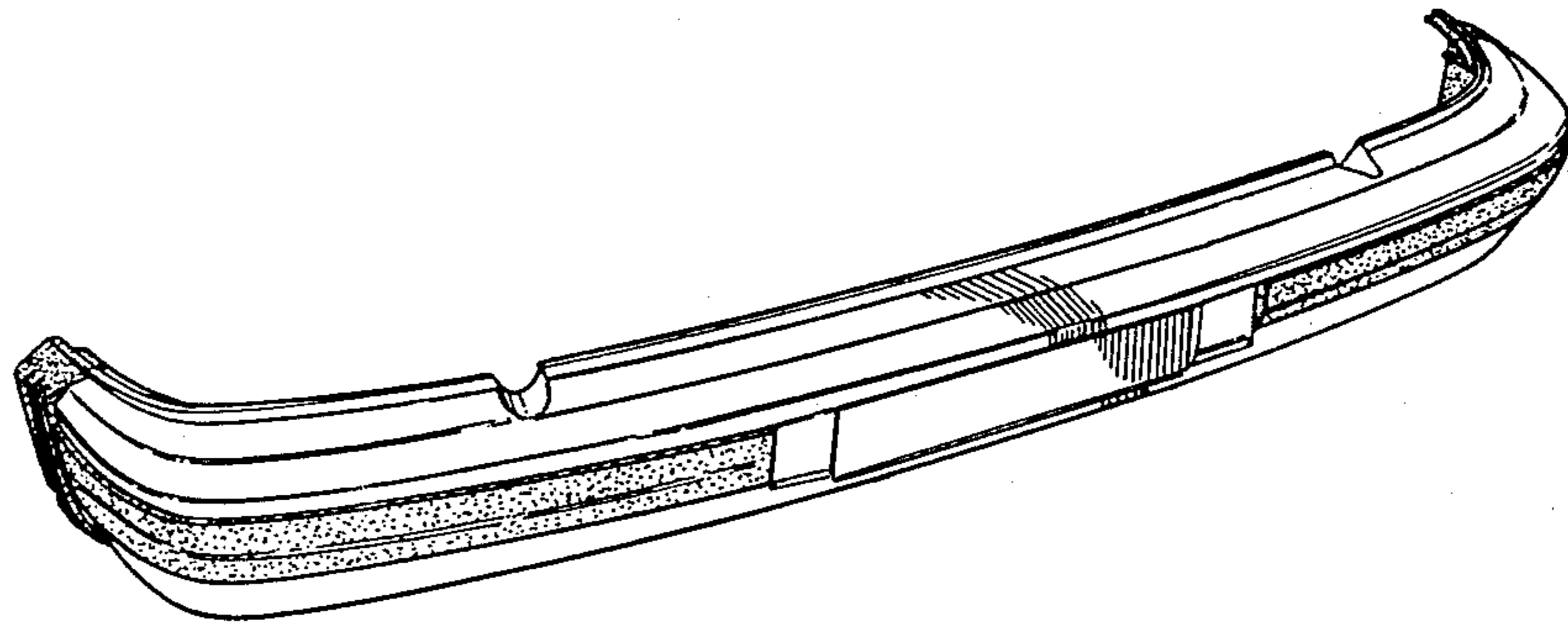
Primary Examiner—James M. Gandy
Attorney, Agent, or Firm—Young & Thompson

[57] CLAIM

The ornamental design for a front bumper, as shown.

DESCRIPTION

FIG. 1 is a front perspective view of the outside of a front bumper showing our new design;
FIG. 2 is a rear perspective view of the inside thereof in inverted condition; and
FIG. 3 is a left side elevation view thereof.



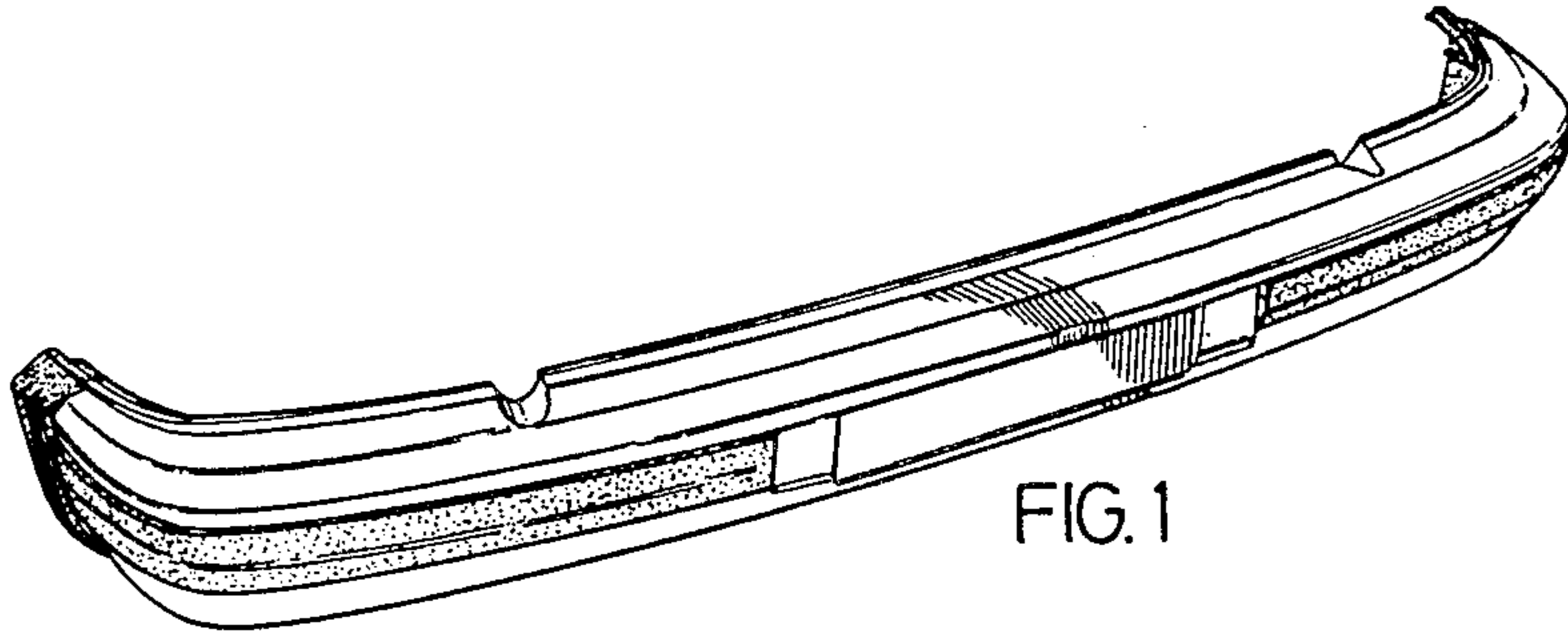


FIG. 1

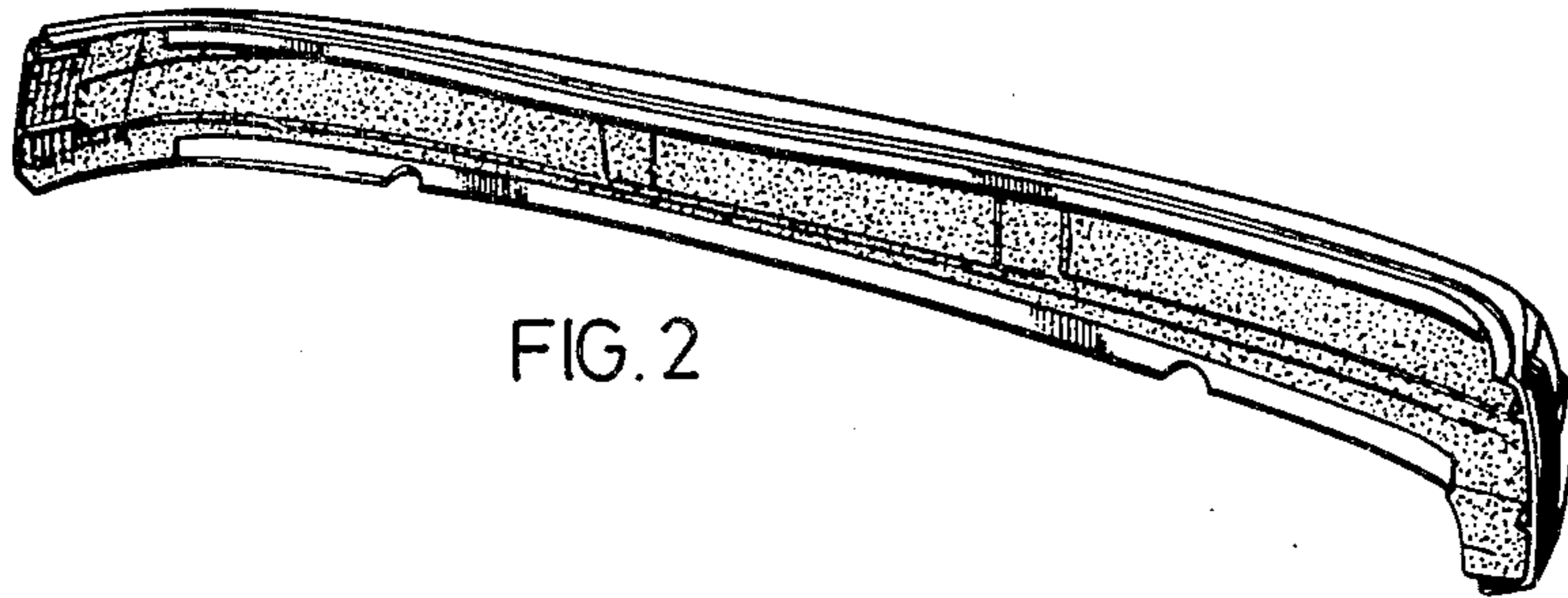


FIG. 2

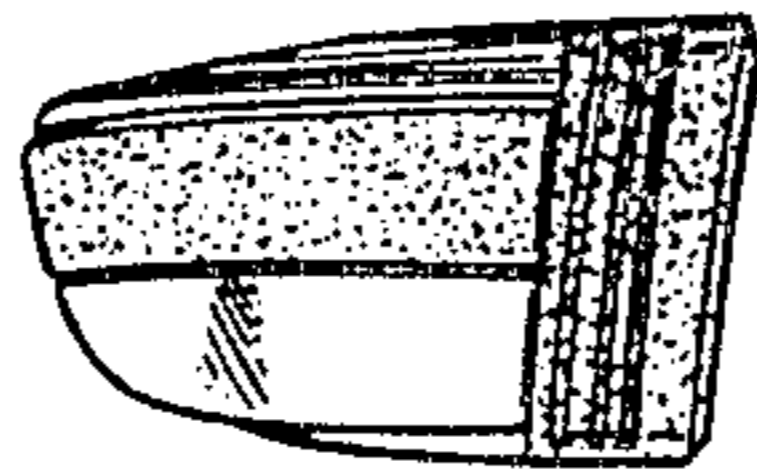


FIG. 3