

[54] **STROLLER**

[75] **Inventor: Kevin J. Daykin, Hollowell, England**

[73] **Assignee: Andrews Maclaren Limited,  
Northampton, England**

[\*\*] **Term: 14 Years**

[21] **Appl. No.: 682,146**

[22] **Filed: Dec. 17, 1984**

[30] **Foreign Application Priority Data**

Jun. 18, 1984 [GB] United Kingdom ..... 1020347

[52] **U.S. Cl. .... D12/129**

[58] **Field of Search ..... D12/129, 130, 132, 133;  
280/642, 643, 644, 42, 647, 648, 649, 650;  
297/45, 184, 487; D6/333**

[56] **References Cited**

**U.S. PATENT DOCUMENTS**

D. 269,421 6/1983 Kassai ..... D12/129  
D. 282,831 3/1986 Kain ..... D12/129  
4,353,577 10/1982 Giordani ..... 280/642

*Primary Examiner*—James M. Gandy

*Assistant Examiner*—Kay H. Chin

*Attorney, Agent, or Firm*—Parkhurst & Oliff

[57] **CLAIM**

The ornamental design for a stroller, as shown and described.

**DESCRIPTION**

FIG. 1 is a side elevation view of a stroller showing my new design, the opposite side being a mirror image of that shown;

FIG. 2 is a front elevation view thereof;

FIG. 3 is a rear elevation view thereof;

FIG. 4 is a top plan view thereof; and

FIG. 5 is a bottom plan view thereof.

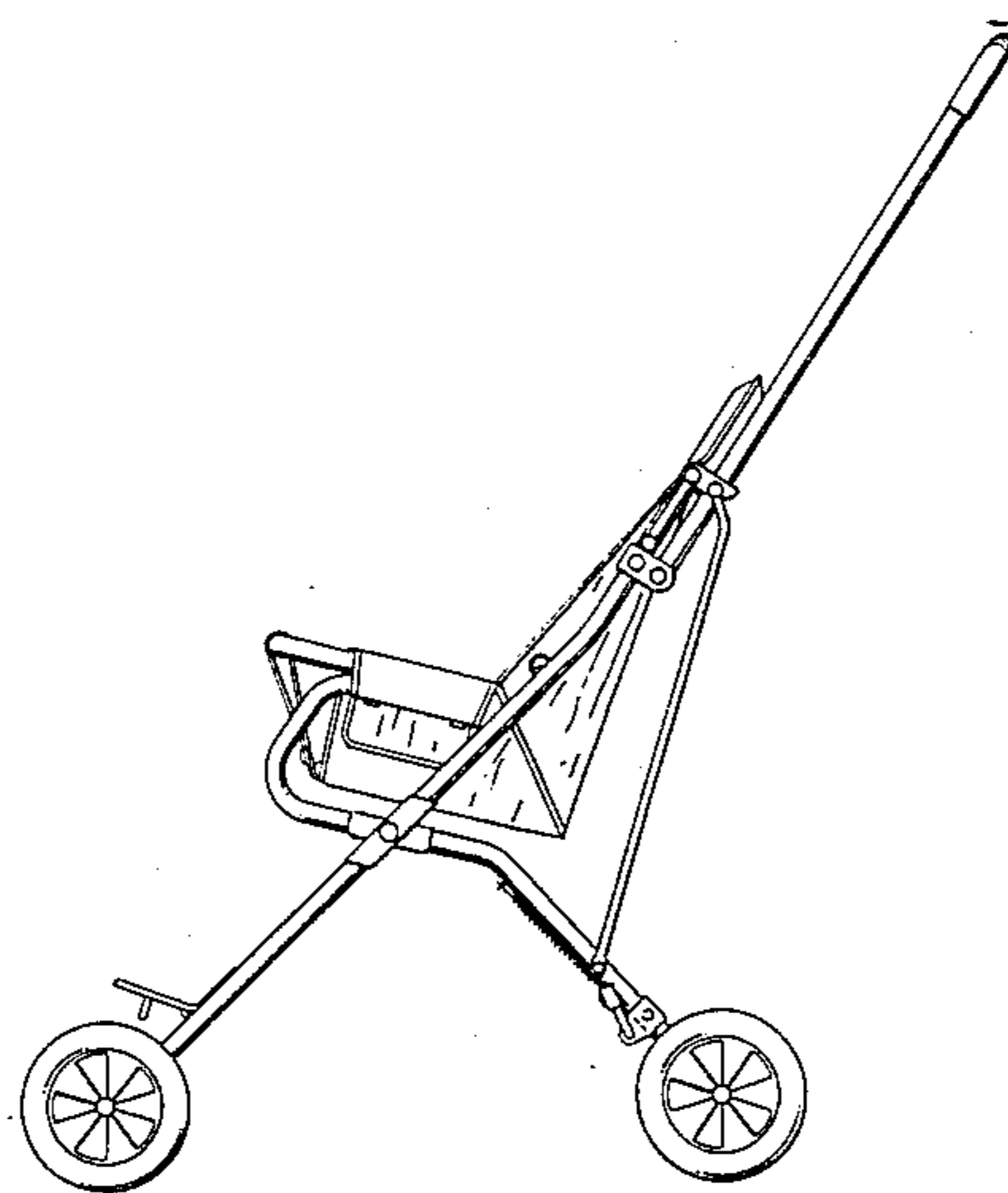


FIG. 1.

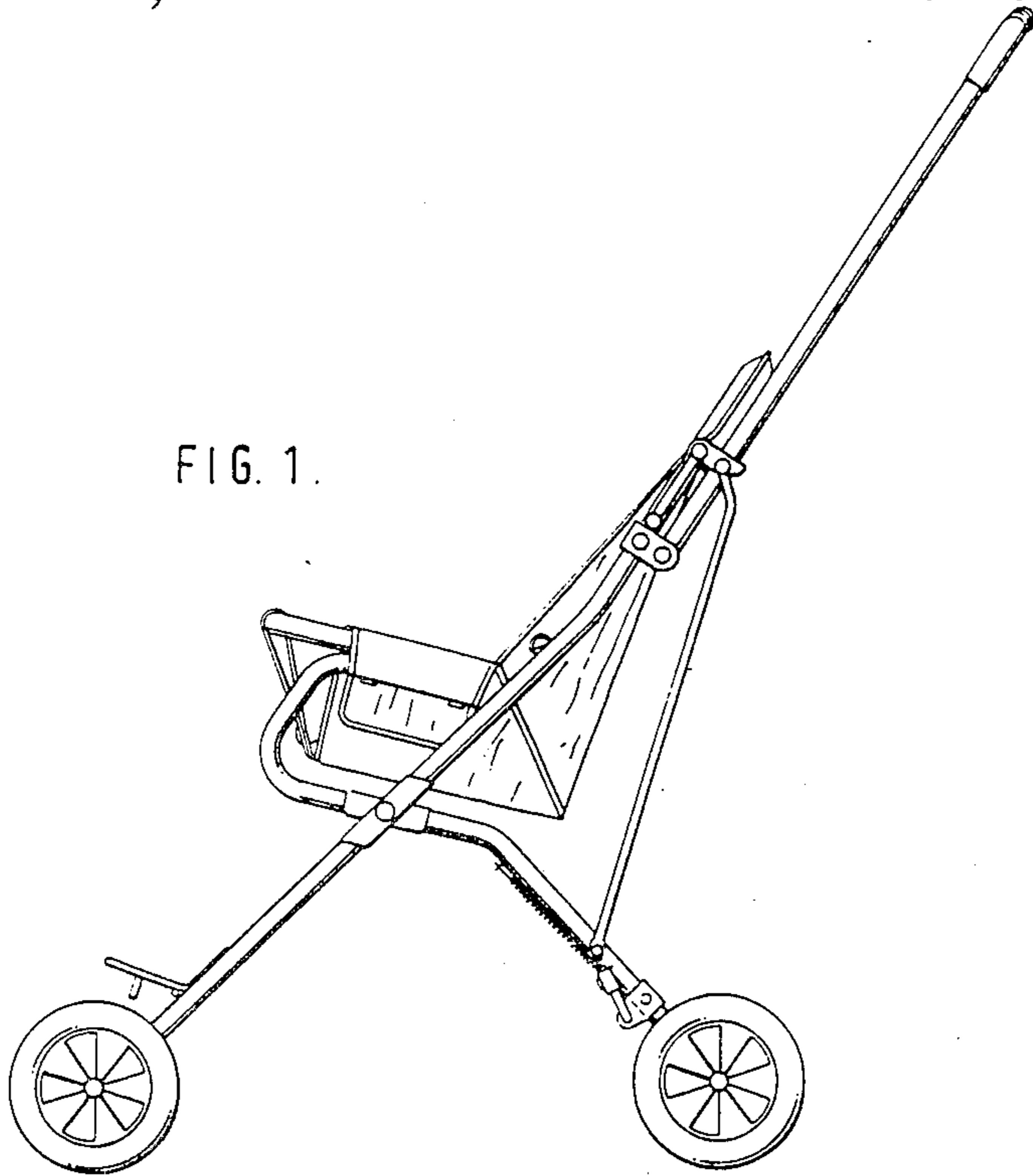


FIG. 2.

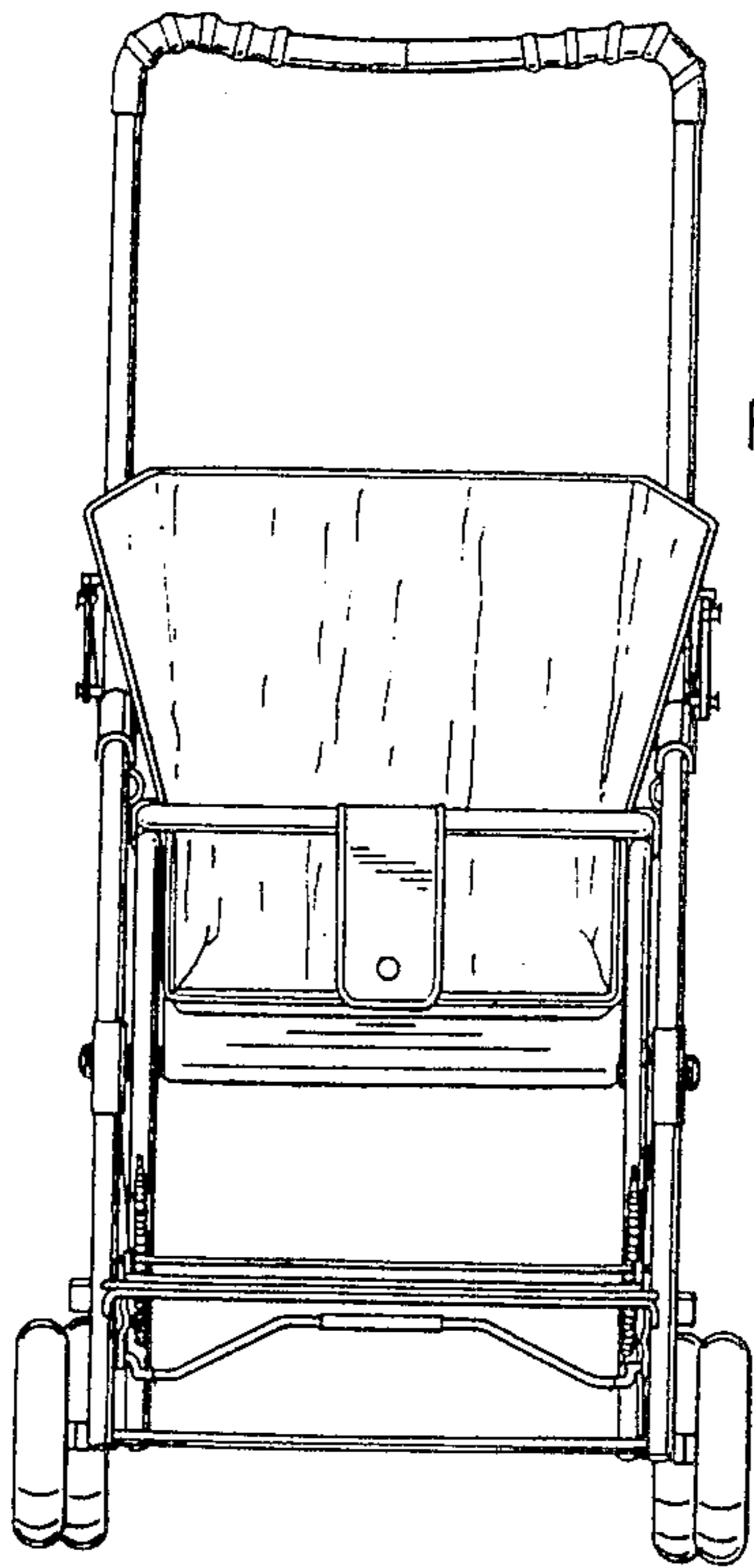
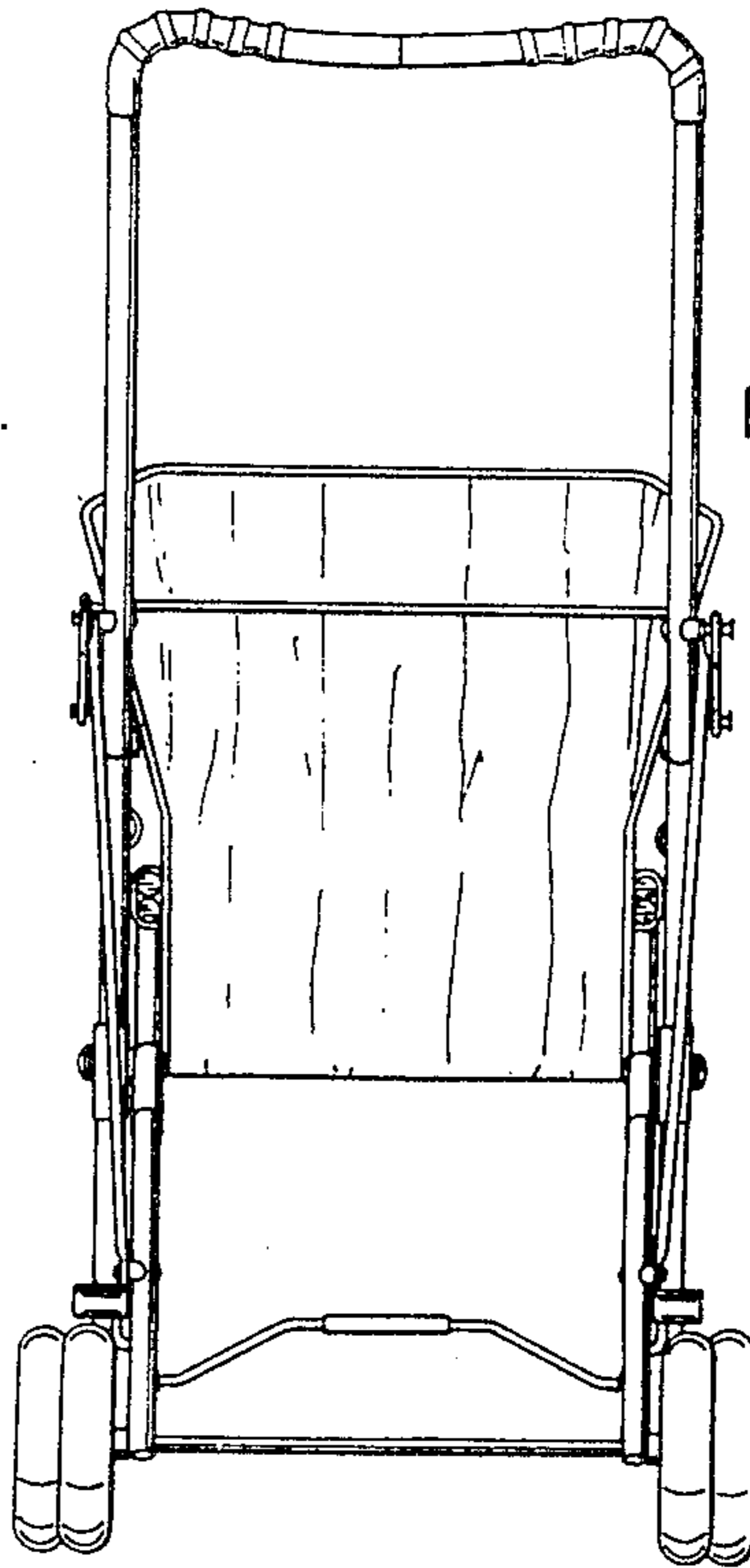


FIG. 3.



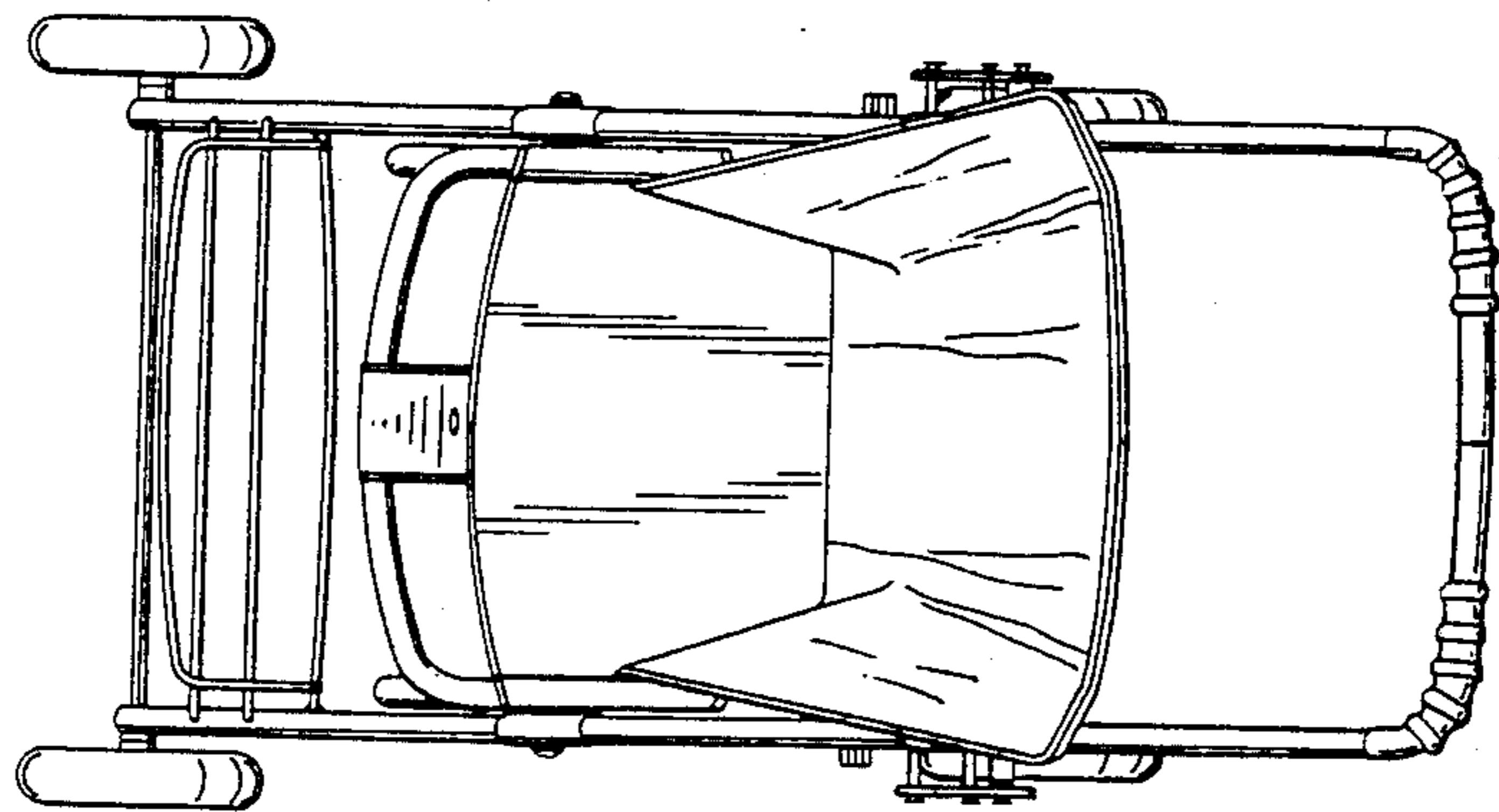


FIG. 4.

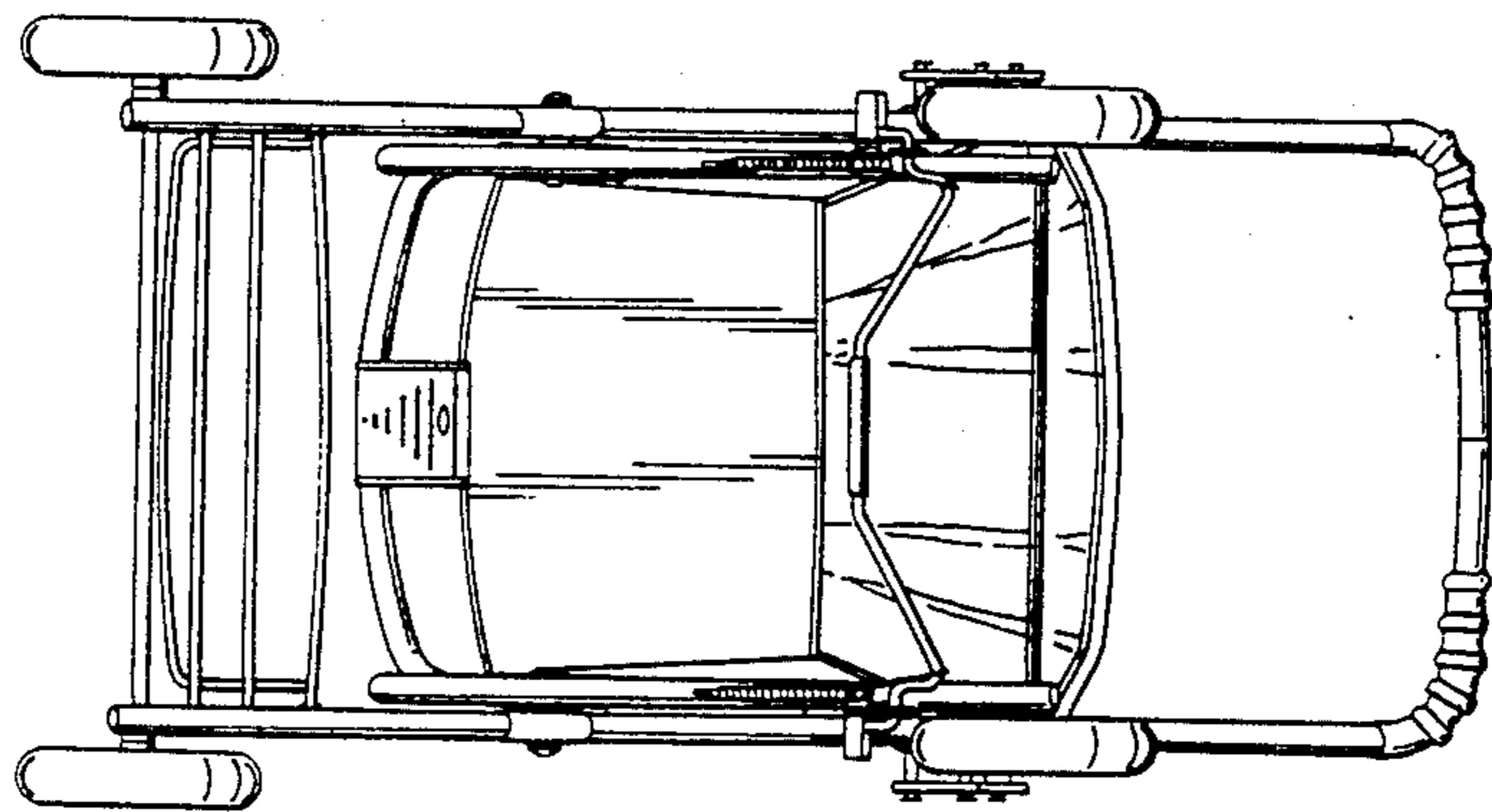


FIG. 5.