

[54] FOUR WAY CORNER LEVEL
[76] Inventor: Robert H. VanderWerf, P.O. Box 4333, Redding, Calif. 96099

[**] Term: 14 Years

[21] Appl. No.: 614,970

[22] Filed: May 29, 1984

[52] U.S. Cl. D10/69

[58] Field of Search D10/69, 62, 65; 33/382, 33/390

2,906,031	9/1959	Rice	33/382
3,266,155	8/1966	Staub	33/382 X
3,545,091	12/1970	Sebastiani	33/382 X
3,820,249	6/1974	Stone	33/382 X
3,826,013	7/1974	Baher	33/390

FOREIGN PATENT DOCUMENTS

67128	10/1913	Switzerland	33/382
-------	---------	-------------	--------

Primary Examiner—Nelson C. Holtje

[57] CLAIM

The ornamental design for a four way corner level, as shown and described.

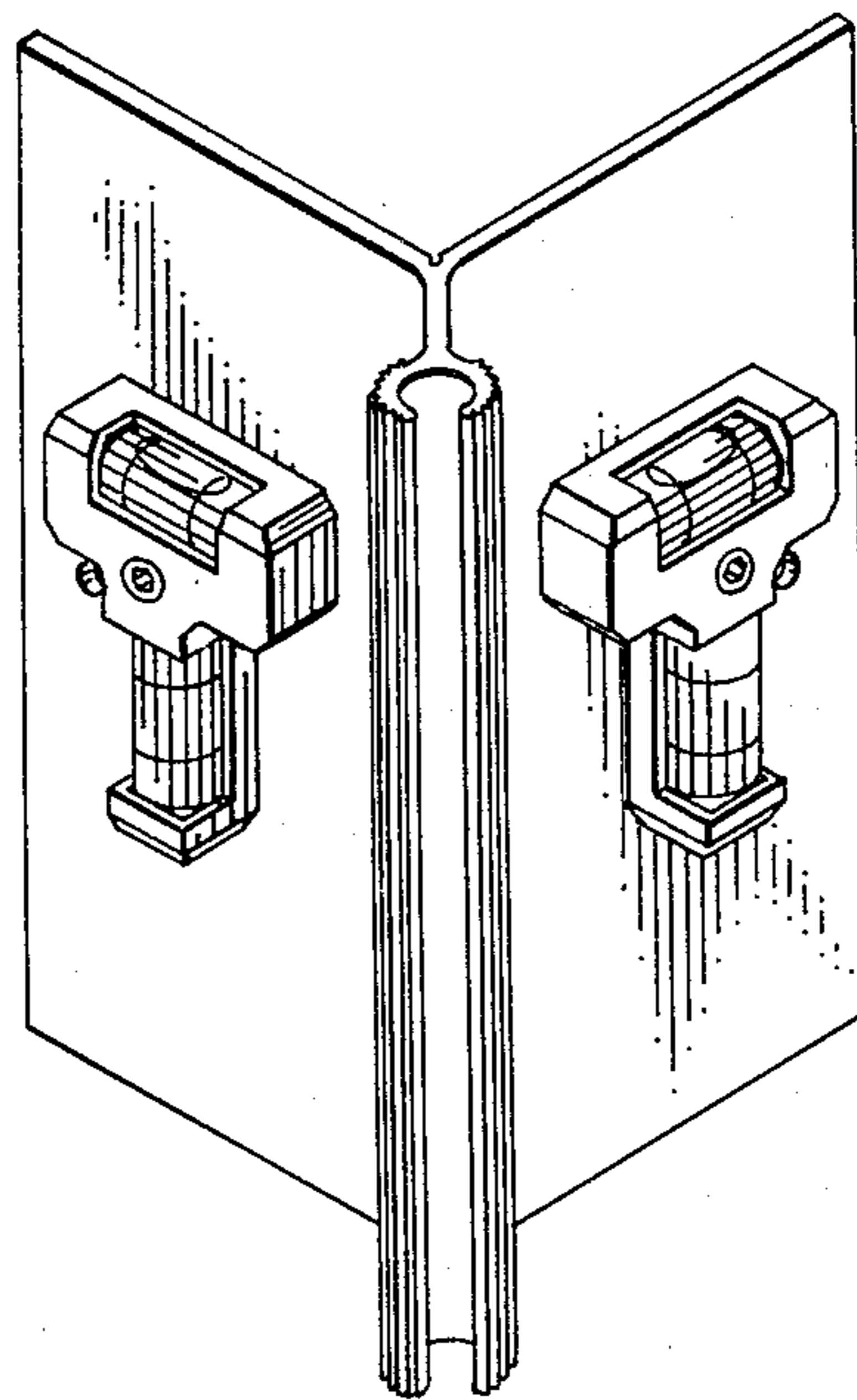
DESCRIPTION

FIG. 1 is a front perspective view of a four way corner level showing my new design;
FIG. 2 is a rear perspective view thereof;
FIG. 3 is a top plan view thereof;
FIG. 4 is a bottom plan view thereof.

[56] References Cited

U.S. PATENT DOCUMENTS

D. 189,590	1/1961	White	D10/62
D. 253,581	12/1979	VanderWerf	D10/69
D. 255,504	6/1980	VanderWerf	D10/69 X
D. 257,330	10/1980	VanderWerf	D10/69
D. 261,626	11/1981	VanderWerf	D10/69
D. 269,663	7/1983	Smith	D10/69



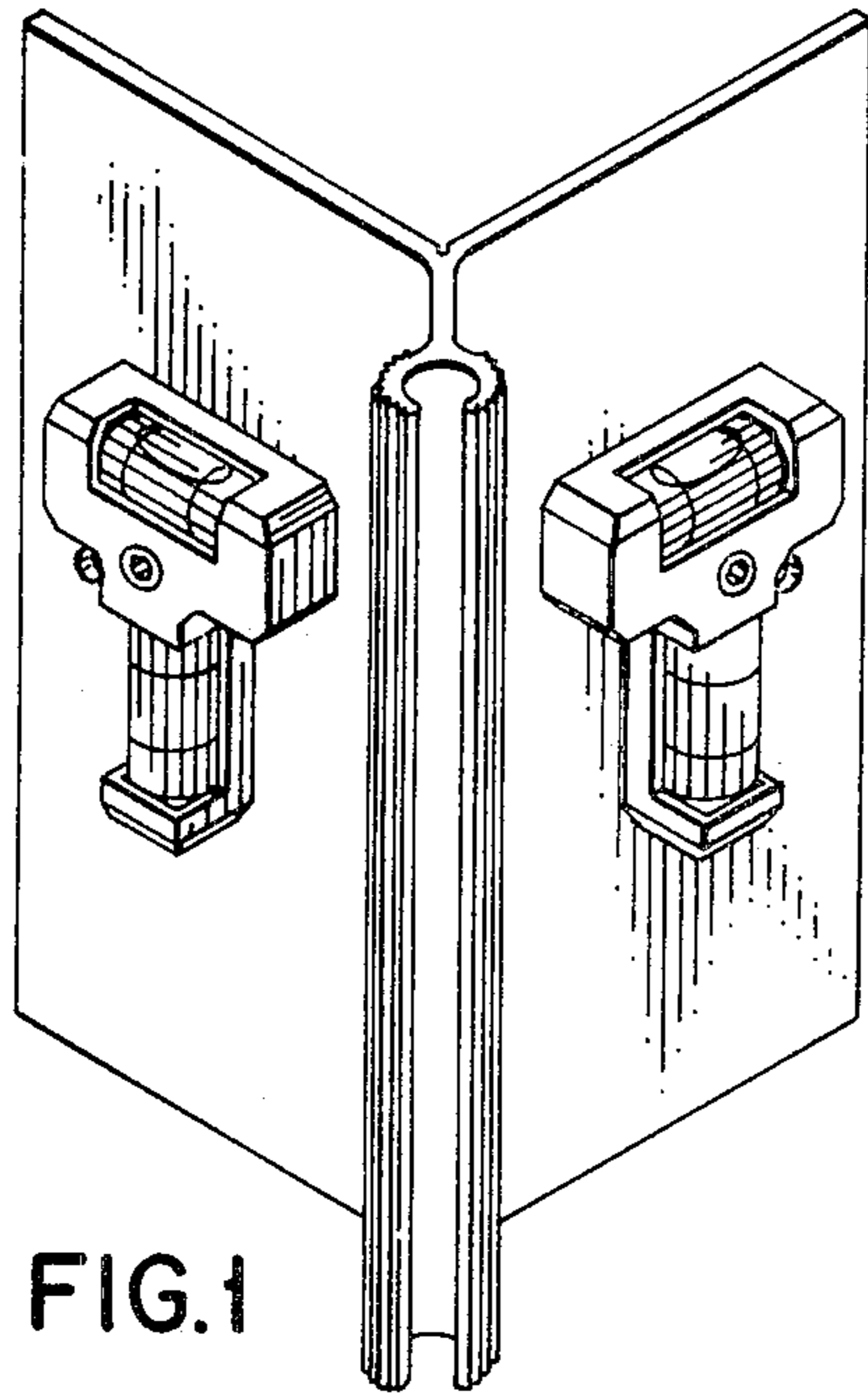


FIG. 1

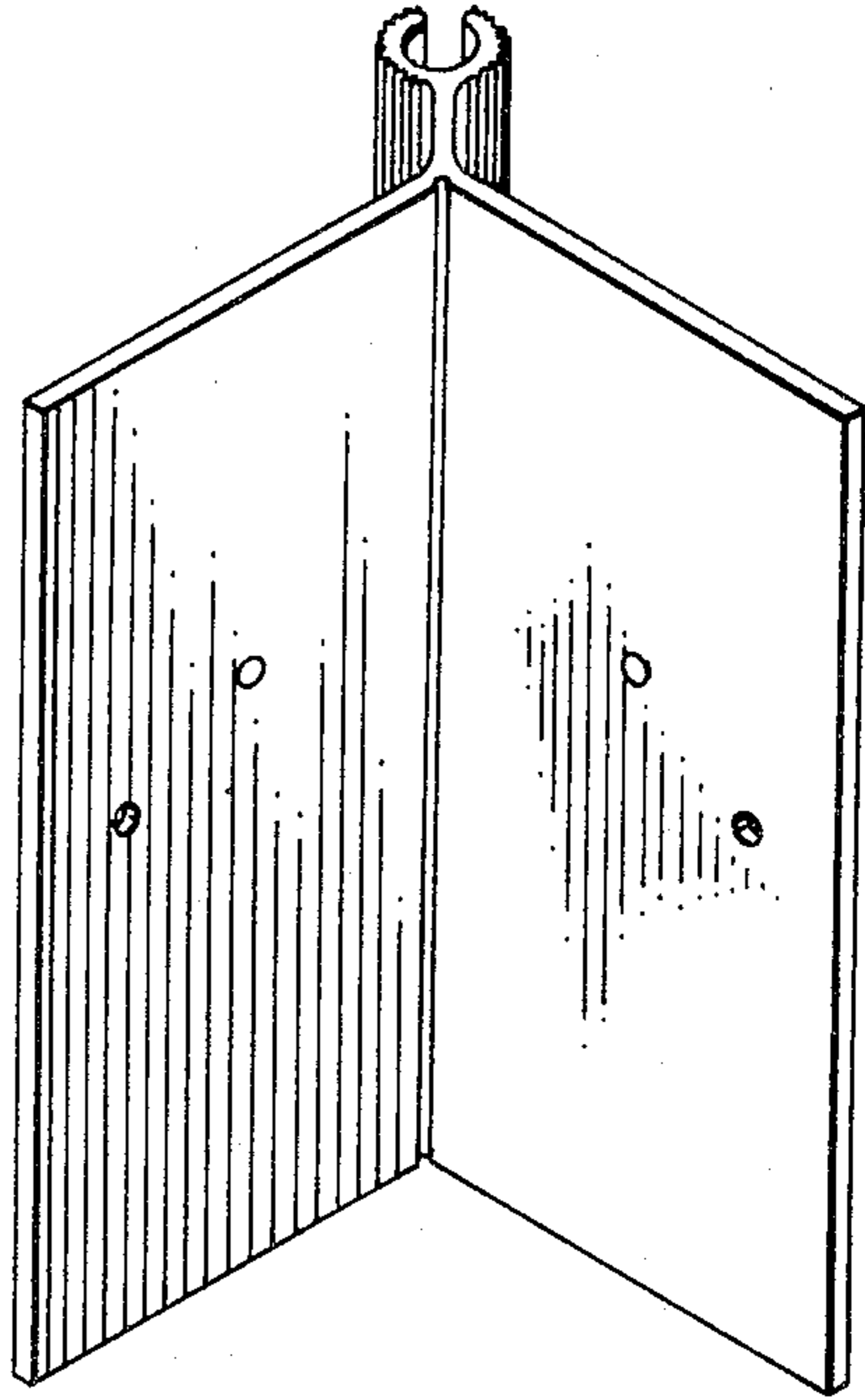


FIG. 2

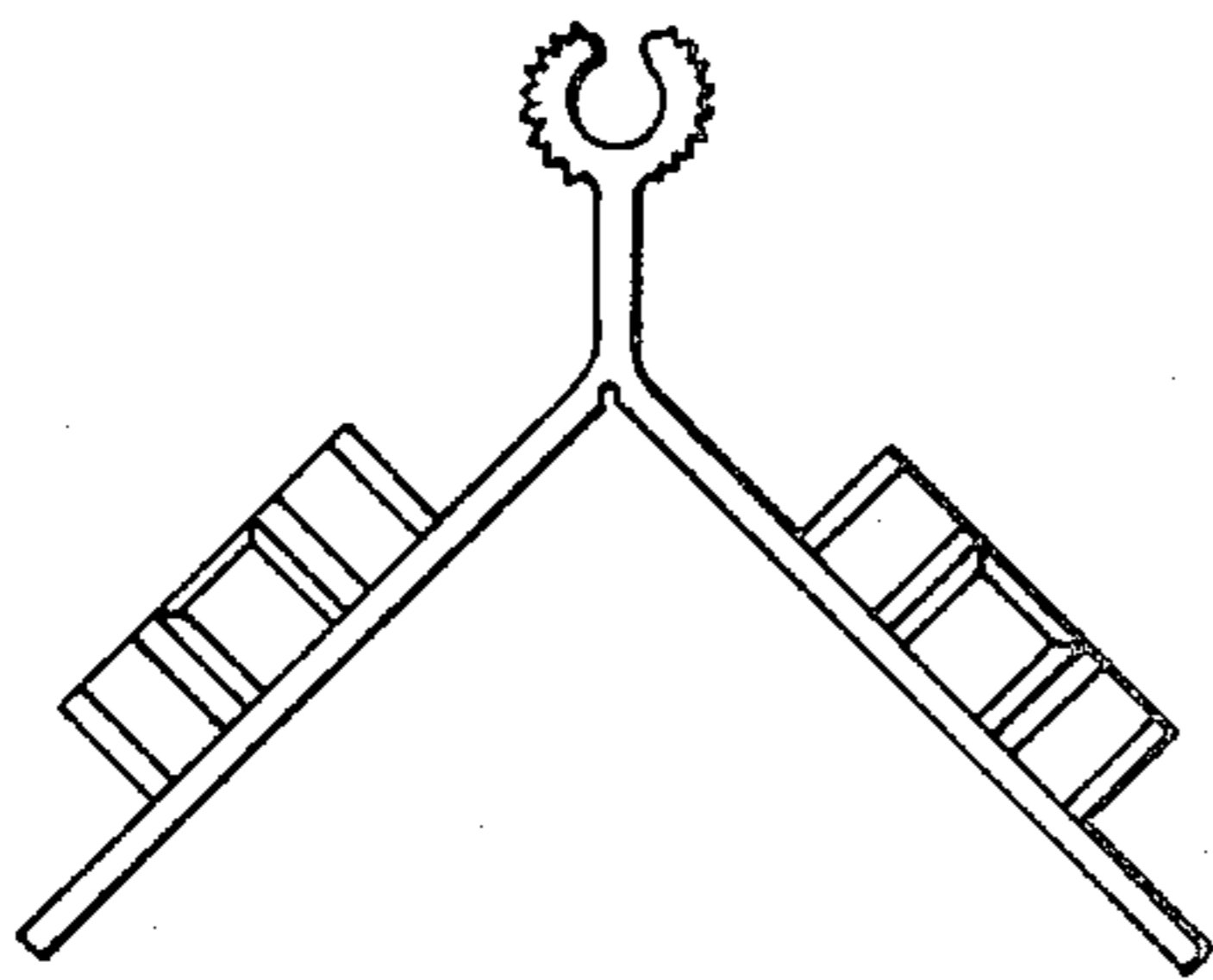


FIG. 4

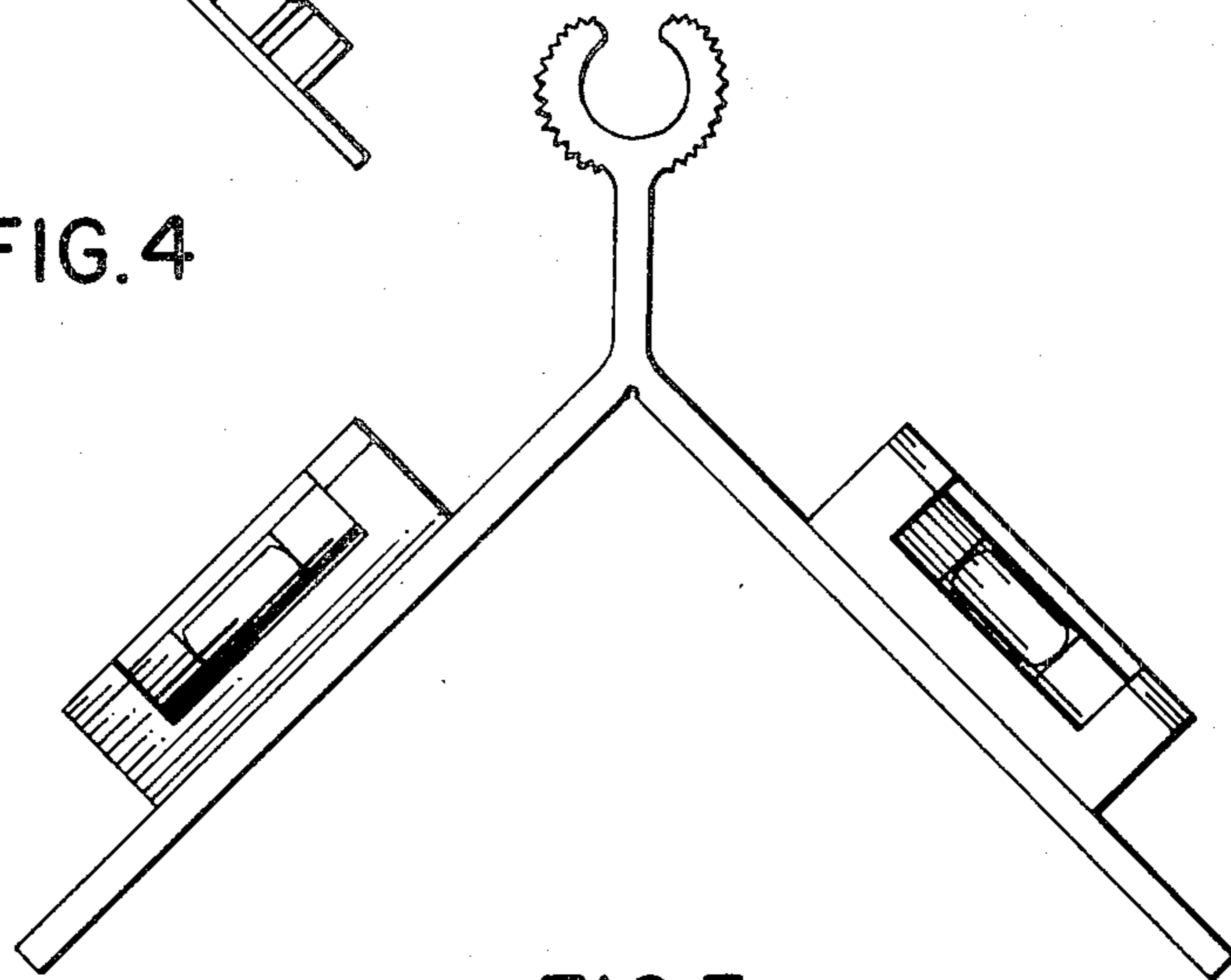


FIG. 3