

[54] COMBINED THERMOMETER-HYGROMETER GAUGE UNIT

[75] Inventor: Yoshihisa Tanaka, Ichikawa, Japan

[73] Assignee: Tanaka Manufacturing Co., Ltd., Tokyo, Japan

[**] Term: 14 Years

[21] Appl. No.: 654,324

[22] Filed: Sep. 25, 1984

[30] Foreign Application Priority Data

Apr. 18, 1984 [JP] Japan 59-15650

[52] U.S. Cl. D10/53; D10/52; D10/102

[58] Field of Search D10/49-60, D10/98, 102, 103; 73/432, 431; 374/109, 141, 142, 143, 144, 187, 203, 208

[56] References Cited

U.S. PATENT DOCUMENTS

D. 116,698 9/1939 Ruopp D10/57 X

D. 195,783 7/1963 Woods D10/102
D. 201,990 8/1965 Aldridge D10/60
D. 223,404 4/1972 Schwartz D10/102 X
D. 251,482 4/1979 Sugiyama D10/102 X
D. 255,431 6/1980 Marmorale D10/68 X
D. 274,505 7/1984 Westberg D10/102
D. 279,869 7/1985 Tanaka D10/60 X

Primary Examiner—Nelson C. Holtje
Attorney, Agent, or Firm—Amster, Rothstein & Ebenstein

[57] CLAIM

The ornamental design for a combined thermometer-hygrometer gauge unit, as shown and described.

DESCRIPTION

FIG. 1 is a right front perspective view of a combined thermometer-hygrometer gauge unit showing my new design;

FIG. 2 is a top plan view thereof, the bottom plan being a mirror image thereto;

FIG. 3 is a front elevational view thereof;

FIG. 4 is a right side elevational view thereof, the left side being a mirror image thereto;

FIG. 5 is a rear elevational view thereof.

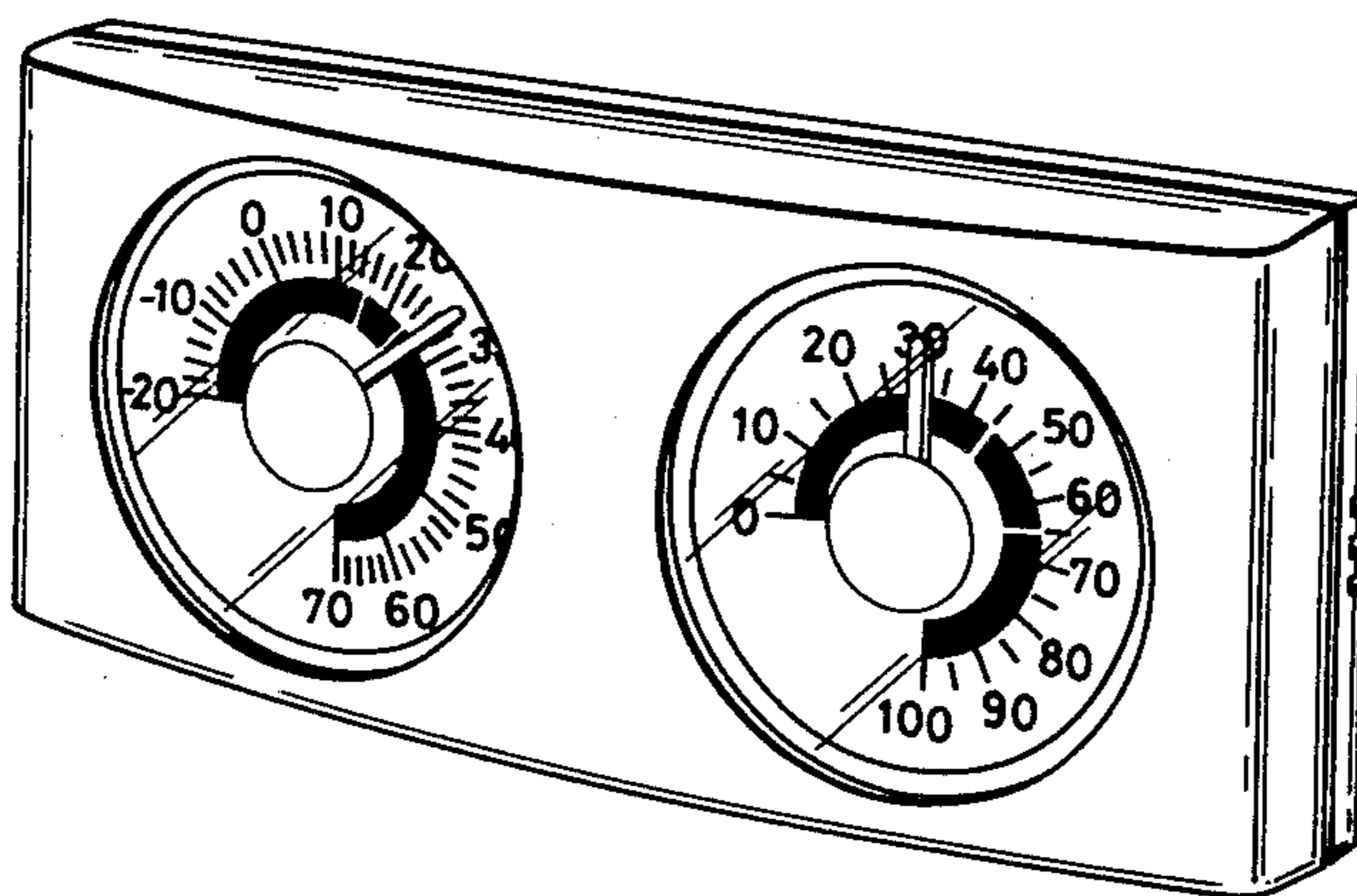


FIG. 1

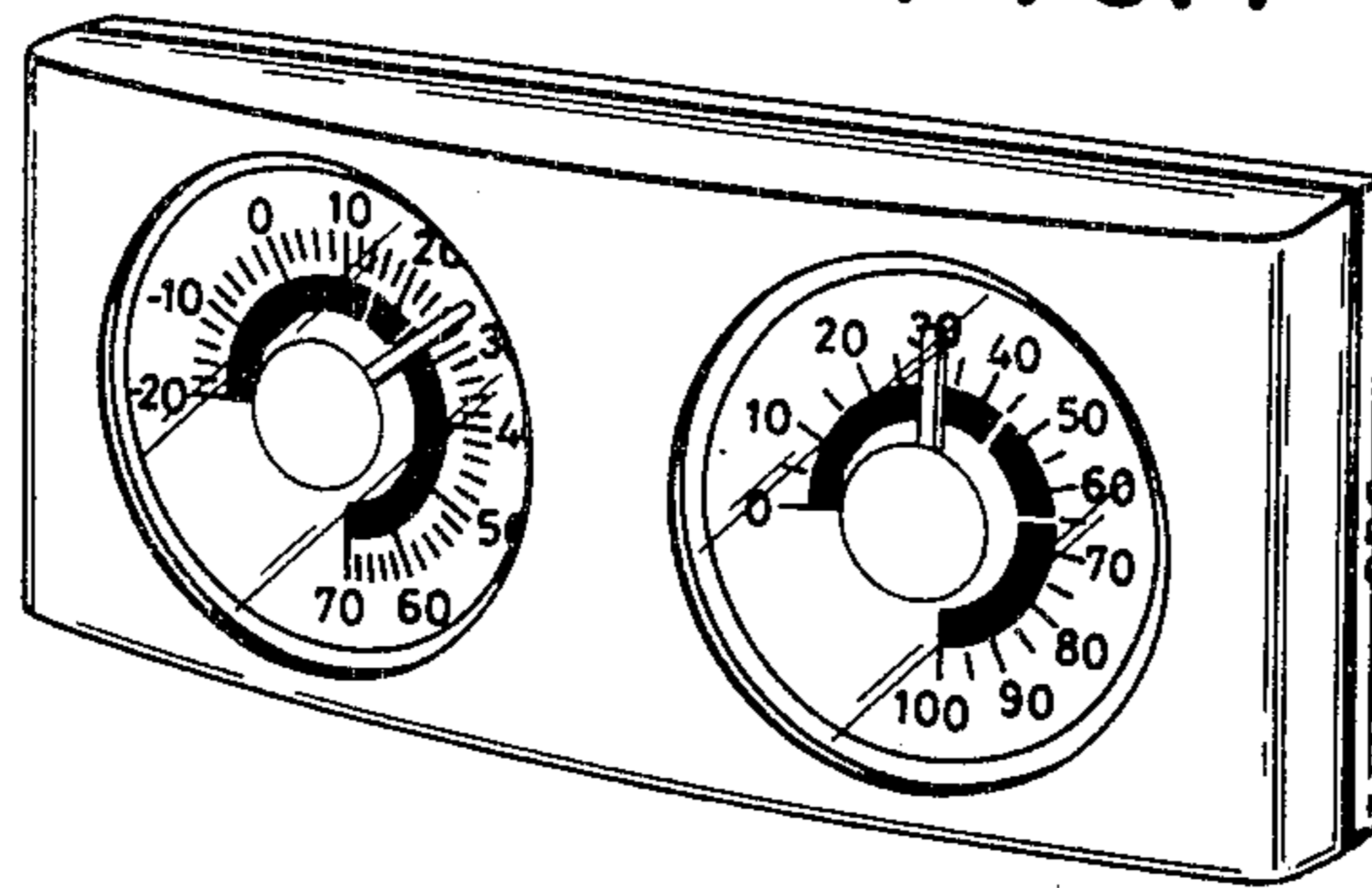


FIG. 2

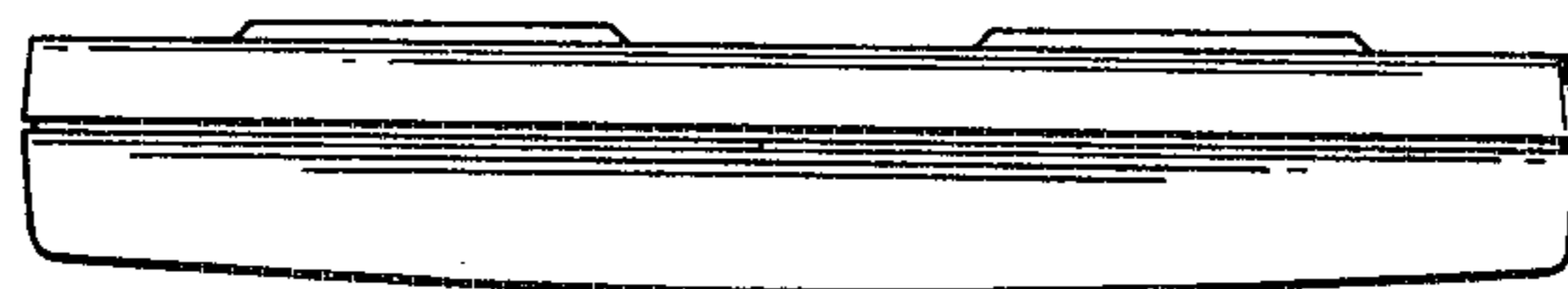


FIG. 3

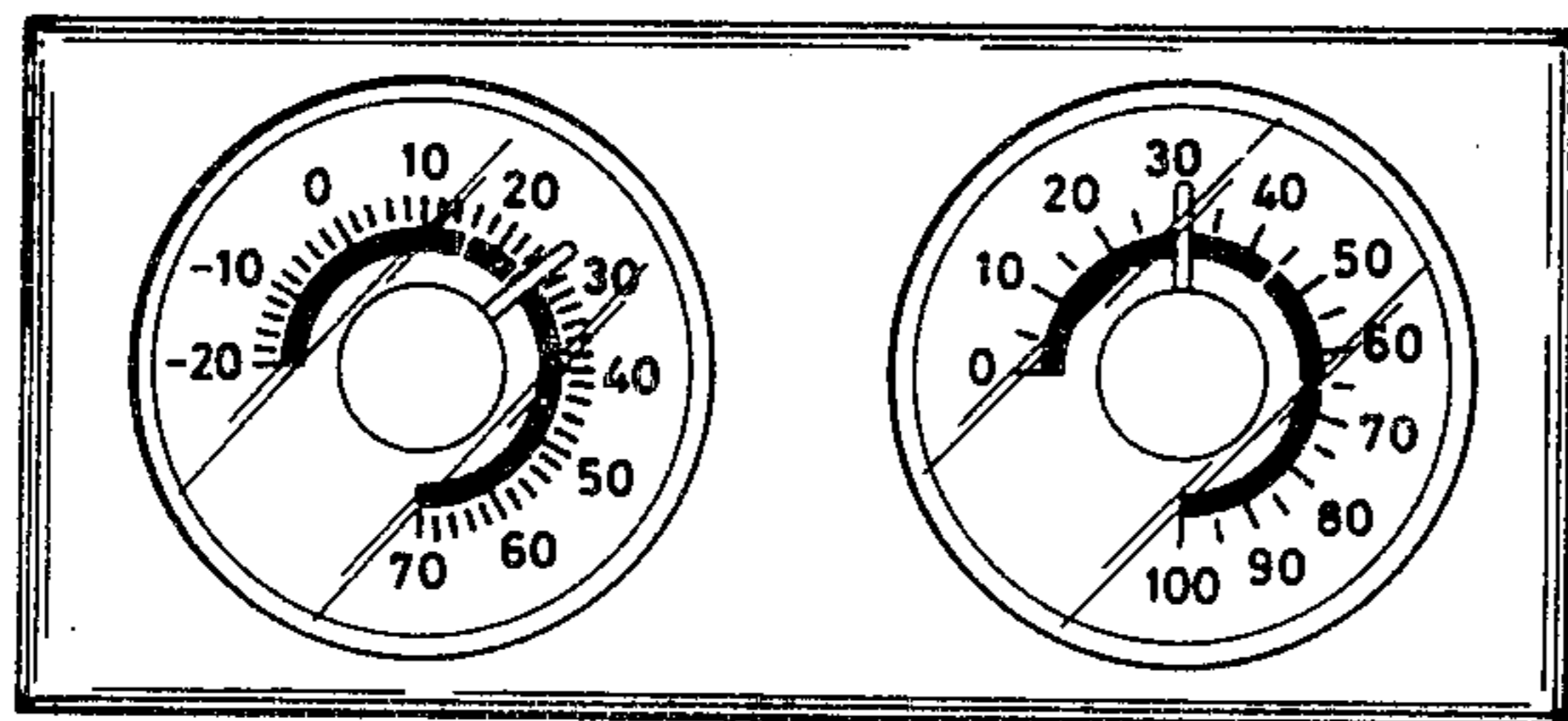


FIG. 4



FIG. 5

