

[54] BOTTLE OR THE LIKE

[56]

References Cited

U.S. PATENT DOCUMENTS

[75] Inventors: Dennis A. Tarasevich, Mahwah, N.J.; Richard C. Edstrom, New York, N.Y.; Richard N. Hirst, Teaneck, N.J.; David O. Pressler, Fairfield, Conn.; Herbert M. Myers, New Rochelle, N.Y.

D. 146,128	12/1946	Billups	.....	D9/376
D. 207,349	4/1967	Swayze	.....	D9/376
D. 220,609	5/1971	Dickins	.....	D9/376
D. 222,607	11/1971	Weckman	.....	D9/376
D. 247,347	2/1978	Klingaman	.....	D9/376
D. 248,831	8/1978	Anderson	.....	D9/376
4,444,673	4/1984	Joshi et al.	.....	D9/376 X

[73] Assignee: BASF Corporation, Wyandotte, Mich.

Primary Examiner—Robert C. Spangler  
Attorney, Agent, or Firm—Bernhard R. Swick

[\*\*] Term: 14 Years

[57] CLAIM

The ornamental design for a bottle or the like, substantially as shown.

[21] Appl. No.: 643,541

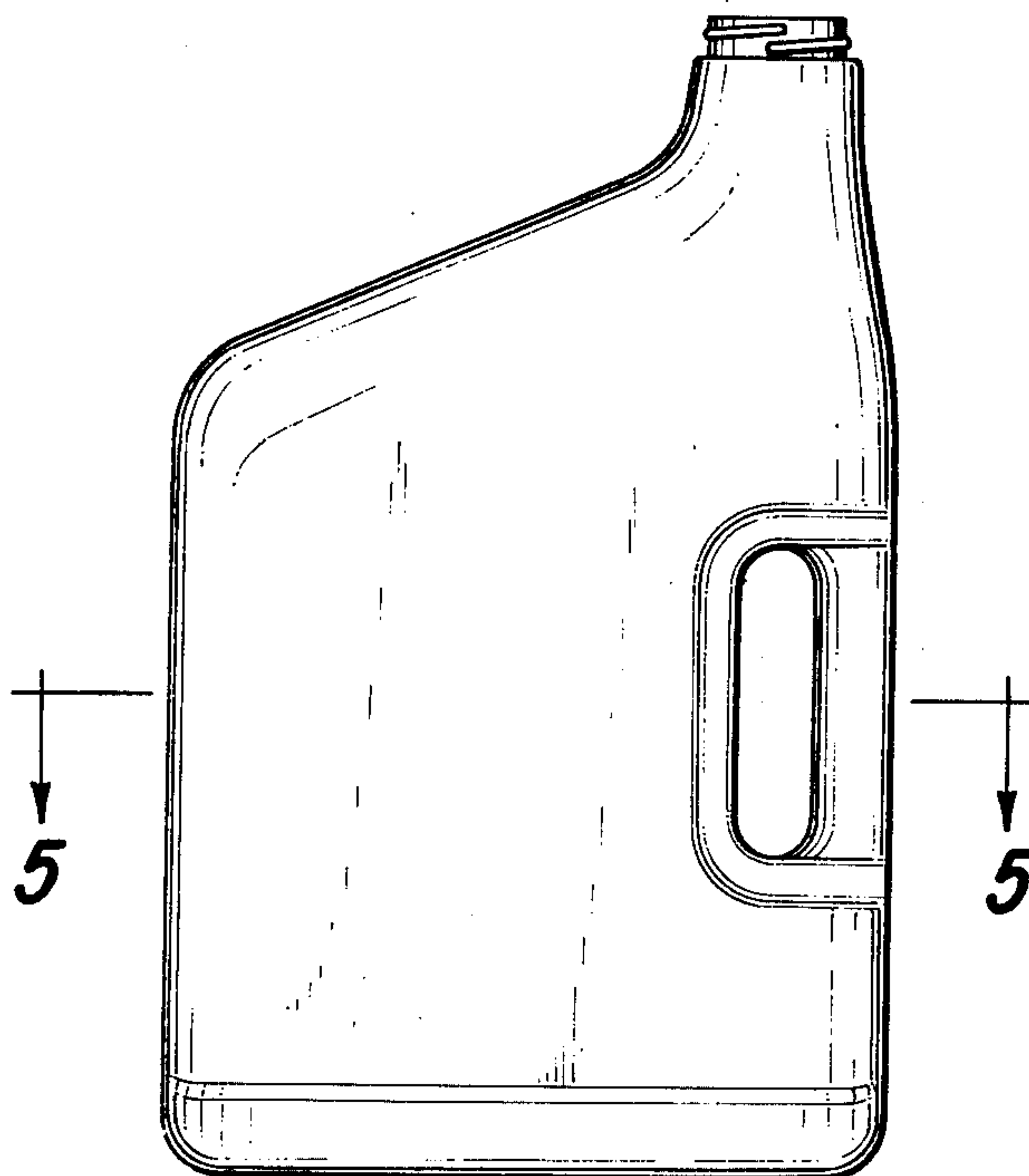
DESCRIPTION

[22] Filed: Aug. 23, 1984

[52] U.S. Cl. .... D9/376

[58] Field of Search ..... D9/376, 378; 215/1 R, 215/1 C

FIG. 1 is a perspective view of a bottle or the like showing our new design;  
FIG. 2 is a perspective view showing the side and end not seen in FIG. 1;  
FIG. 3 is a top plan view;  
FIG. 4 is a side elevational view; and  
FIG. 5 is a sectional view taken on line 5—5 of FIG. 4.



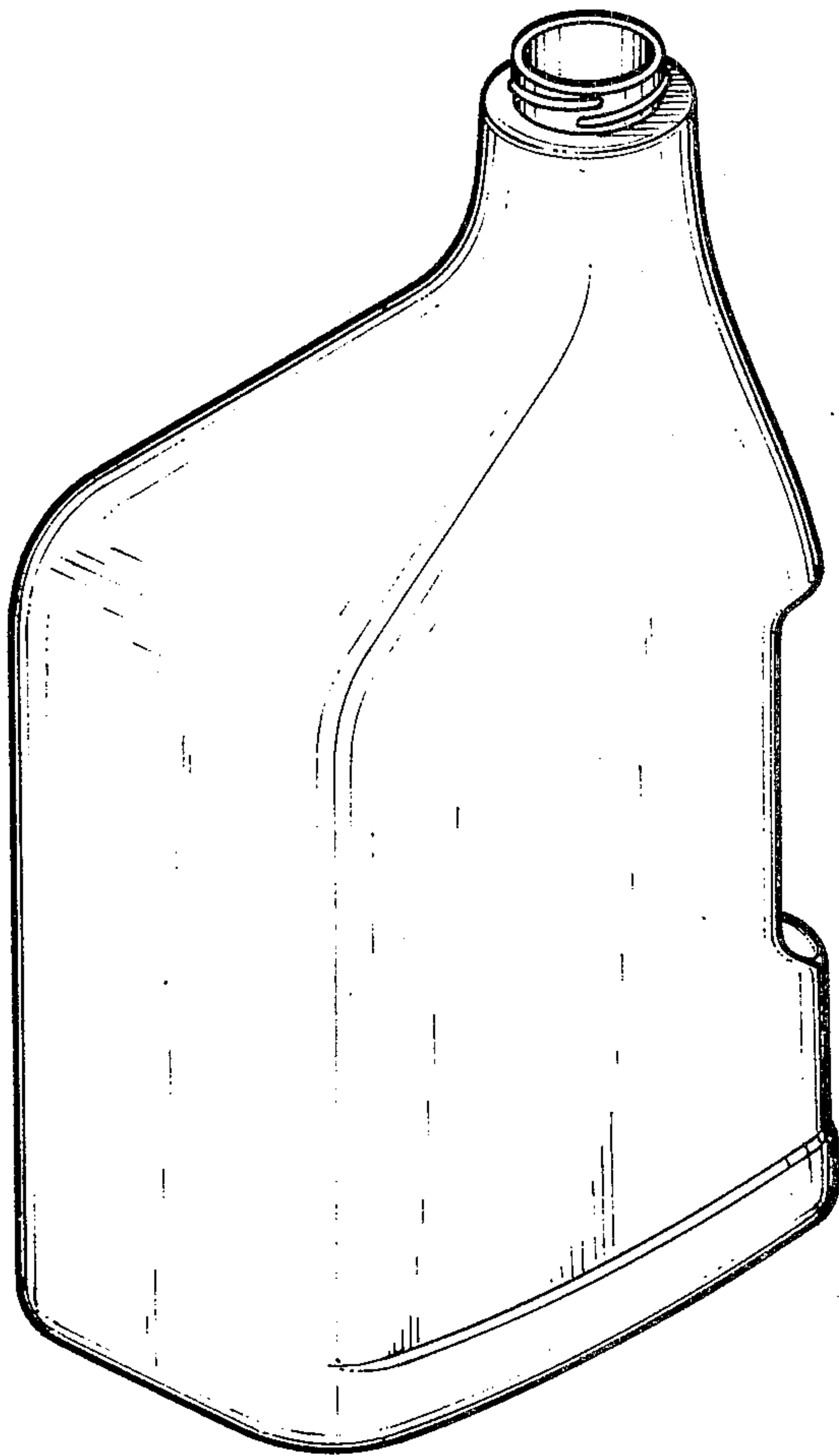


Fig-1

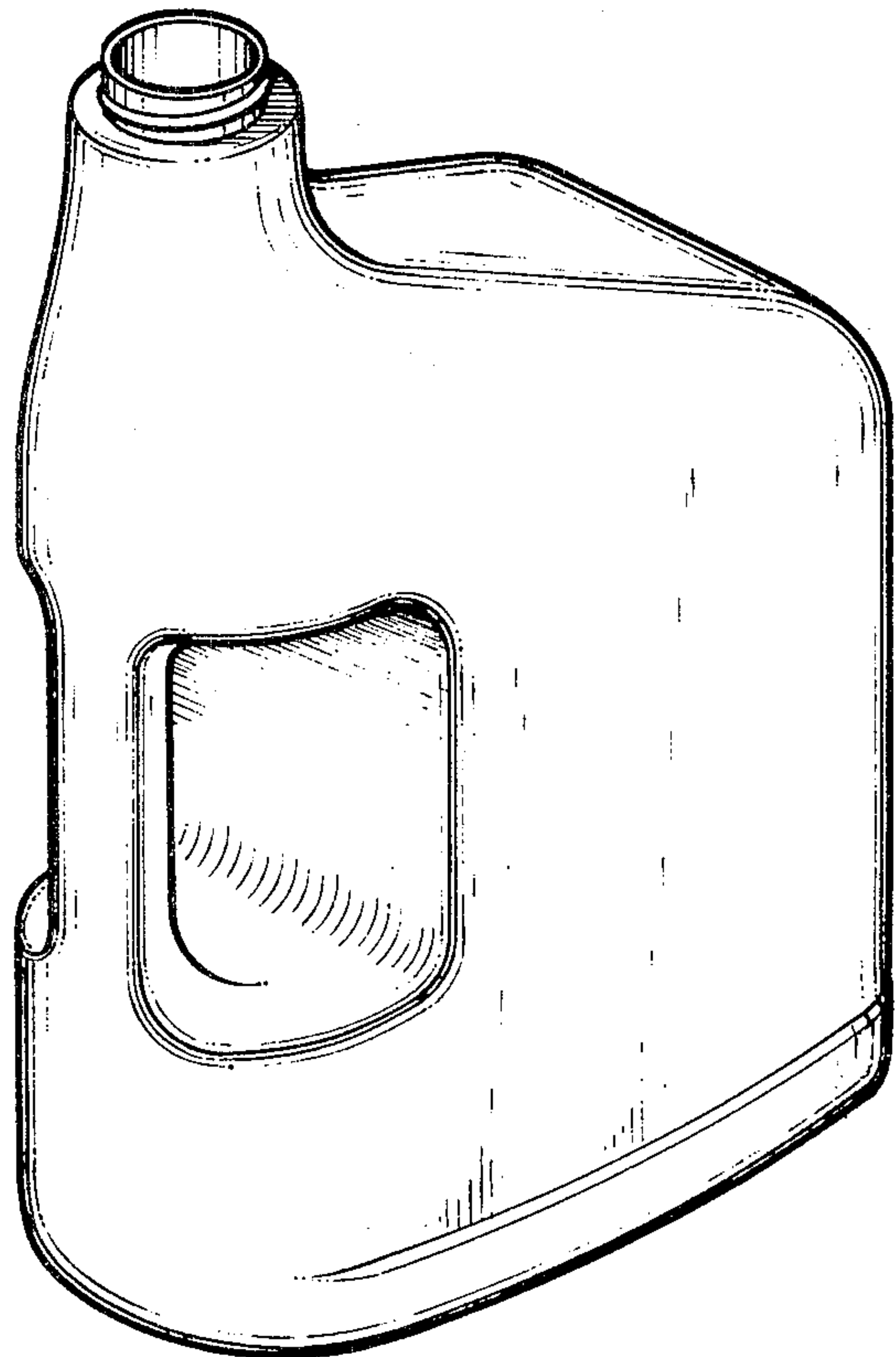


Fig-2

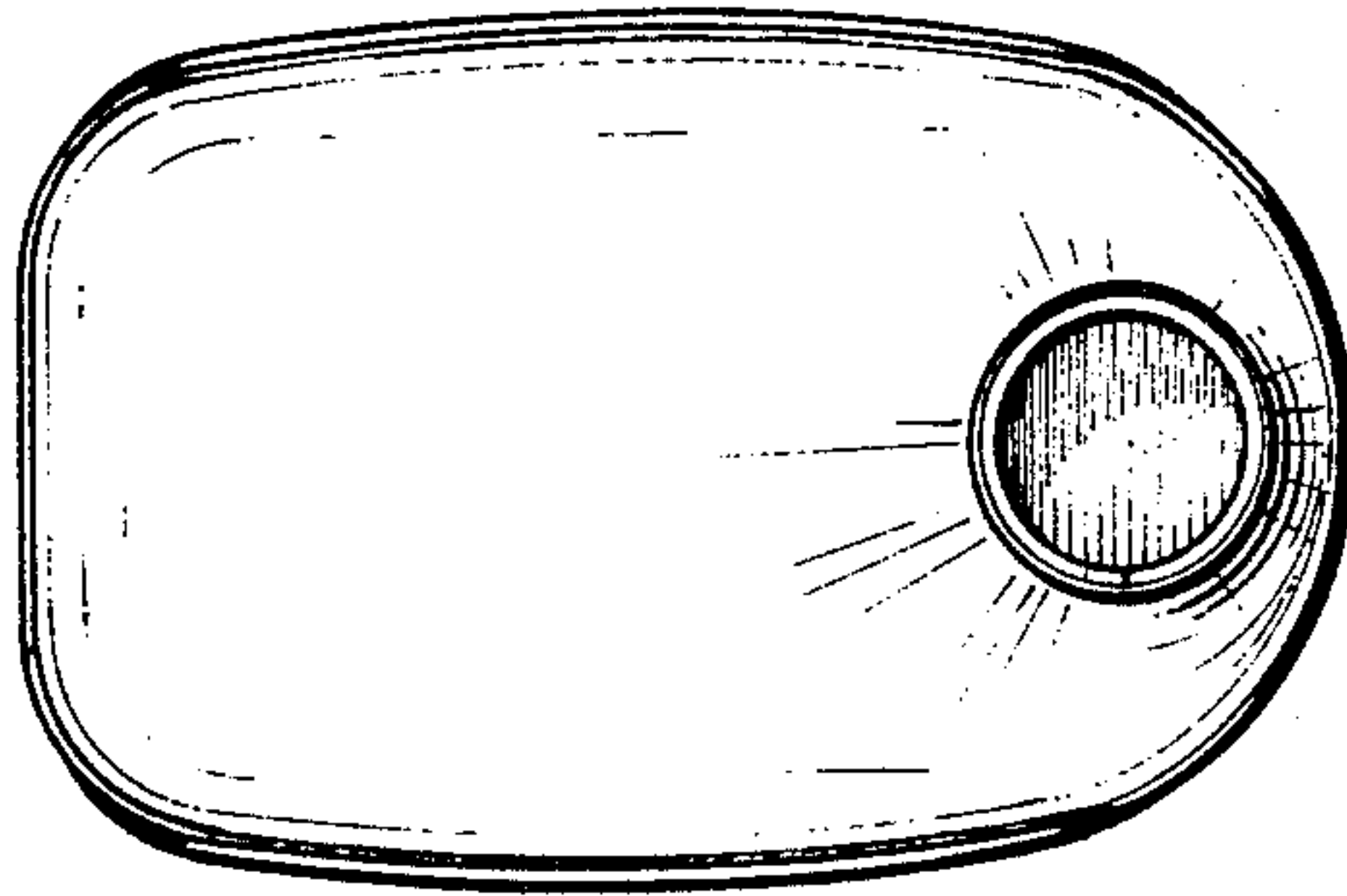


Fig-3

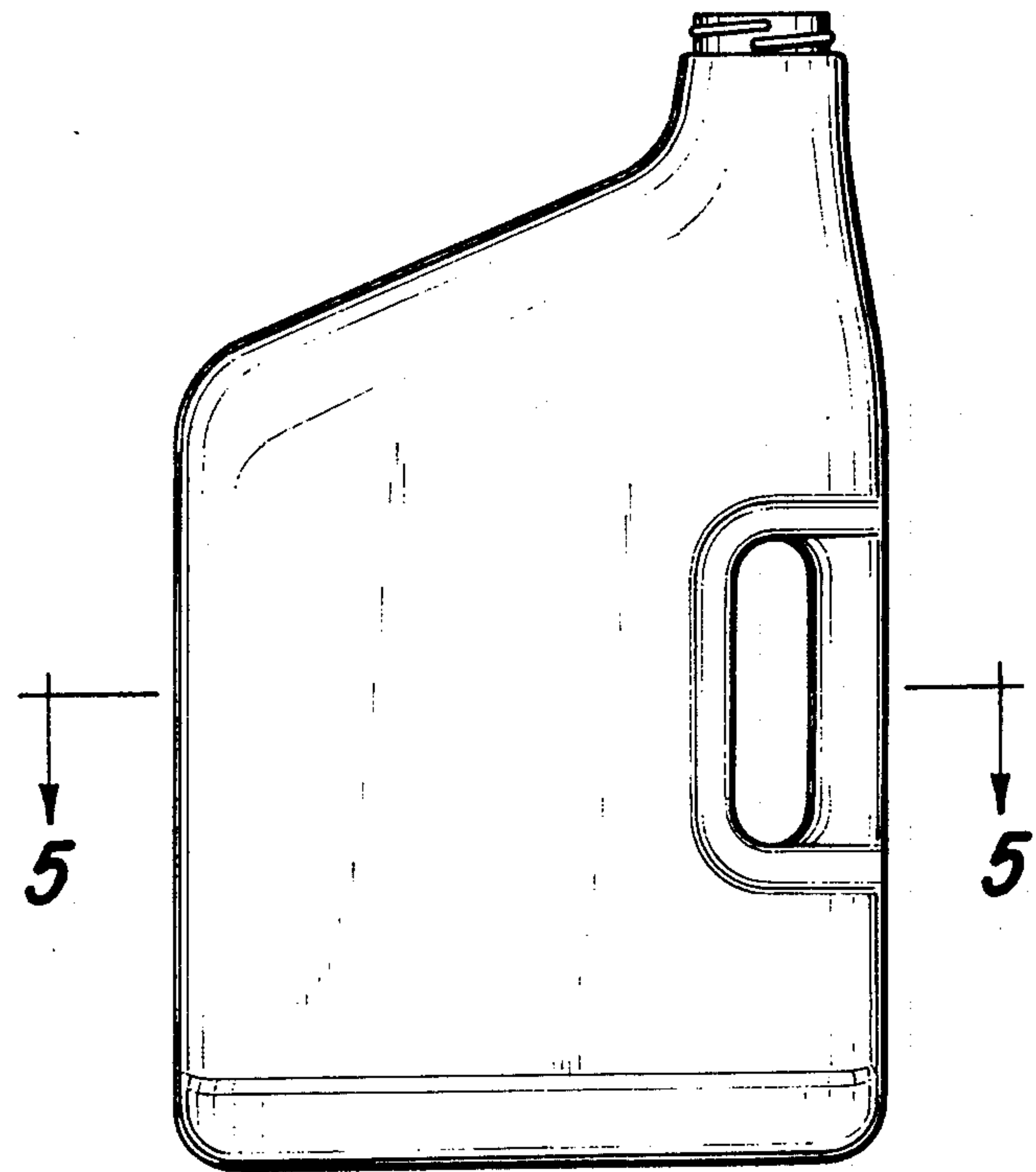


Fig-4

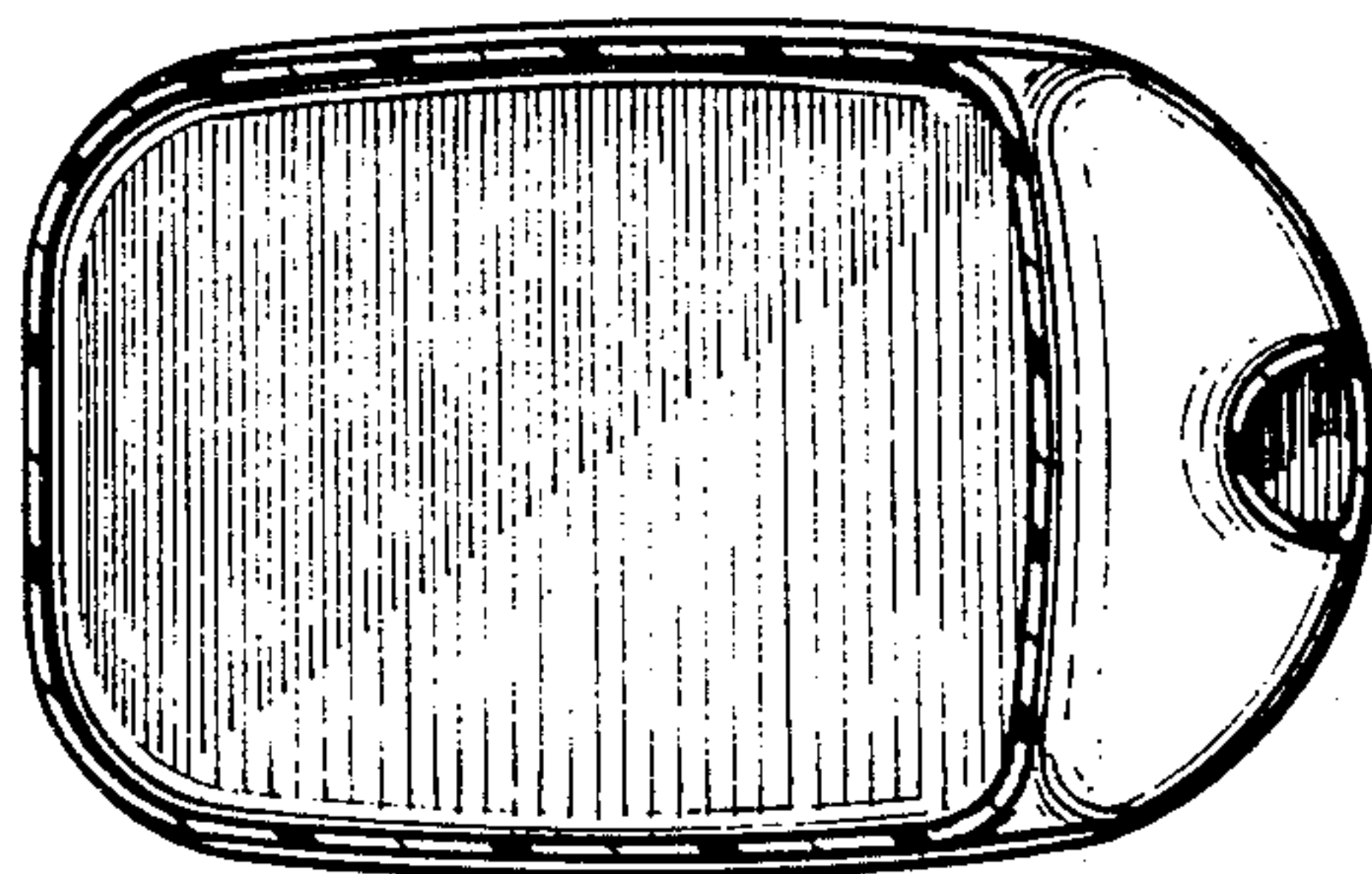


Fig-5