

[54] WATER SPOUT EXTENSION FOR A WATER COOLER

[76] Inventor: J. Dave Bozarth, 18162 Romelle Ave., Santa Ana, Calif. 92705

[**] Term: 14 Years

[21] Appl. No.: 658,942

[22] Filed: Oct. 9, 1984

[52] U.S. Cl. D7/398; D7/68; D23/45; 141/334; 141/392

[58] Field of Search 220/85 SP; D7/68, 397, D7/398; 141/87, 333, 334, 387, 392; 222/566, 567, 526; D23/4, 40, 43, 45

[56] References Cited

U.S. PATENT DOCUMENTS

548,123 10/1895 Hagins 141/87
1,233,352 7/1917 Helcher 141/334 X

1,584,840 5/1926 Cammen 222/566
3,070,812 1/1963 Skrmetta 141/334 X
3,151,845 10/1964 Leuze 141/334 X
4,347,878 9/1982 Schofield D7/68 X

Primary Examiner—Winifred E. Herrmann
Attorney, Agent, or Firm—F. Eugene Logan

[57] CLAIM

The ornamental design for a water spout extension for a water cooler, substantially as shown and described.

DESCRIPTION

FIG. 1 is a top, right side, and rear perspective view of a water spout extension for a water cooler showing my new design;

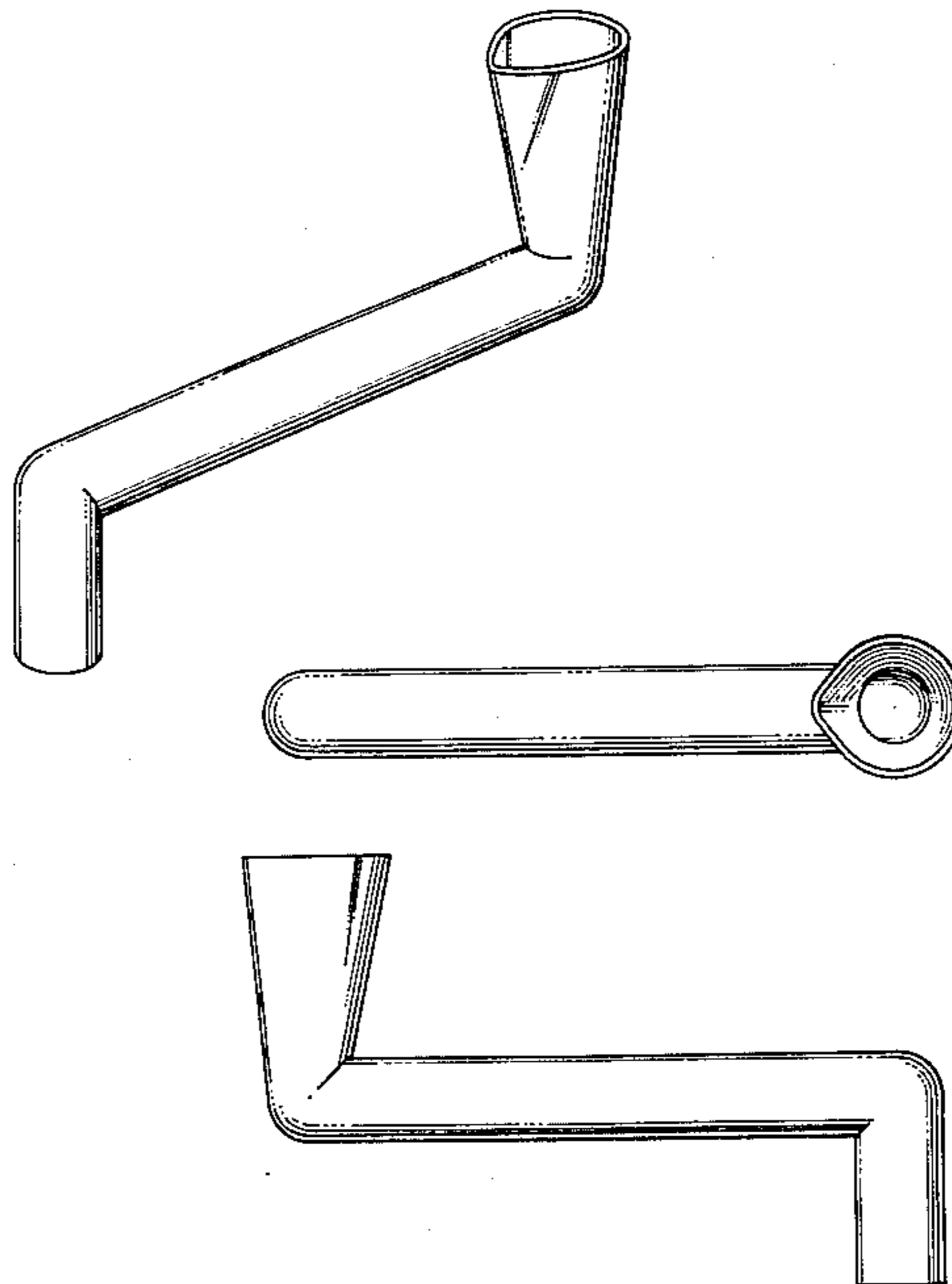
FIG. 2 is a front elevational view thereof;

FIG. 3 is a rear elevational view thereof;

FIG. 4 is a top plan view thereof;

FIG. 5 is a left side elevational view thereof; and

FIG. 6 is a bottom plan view thereof.



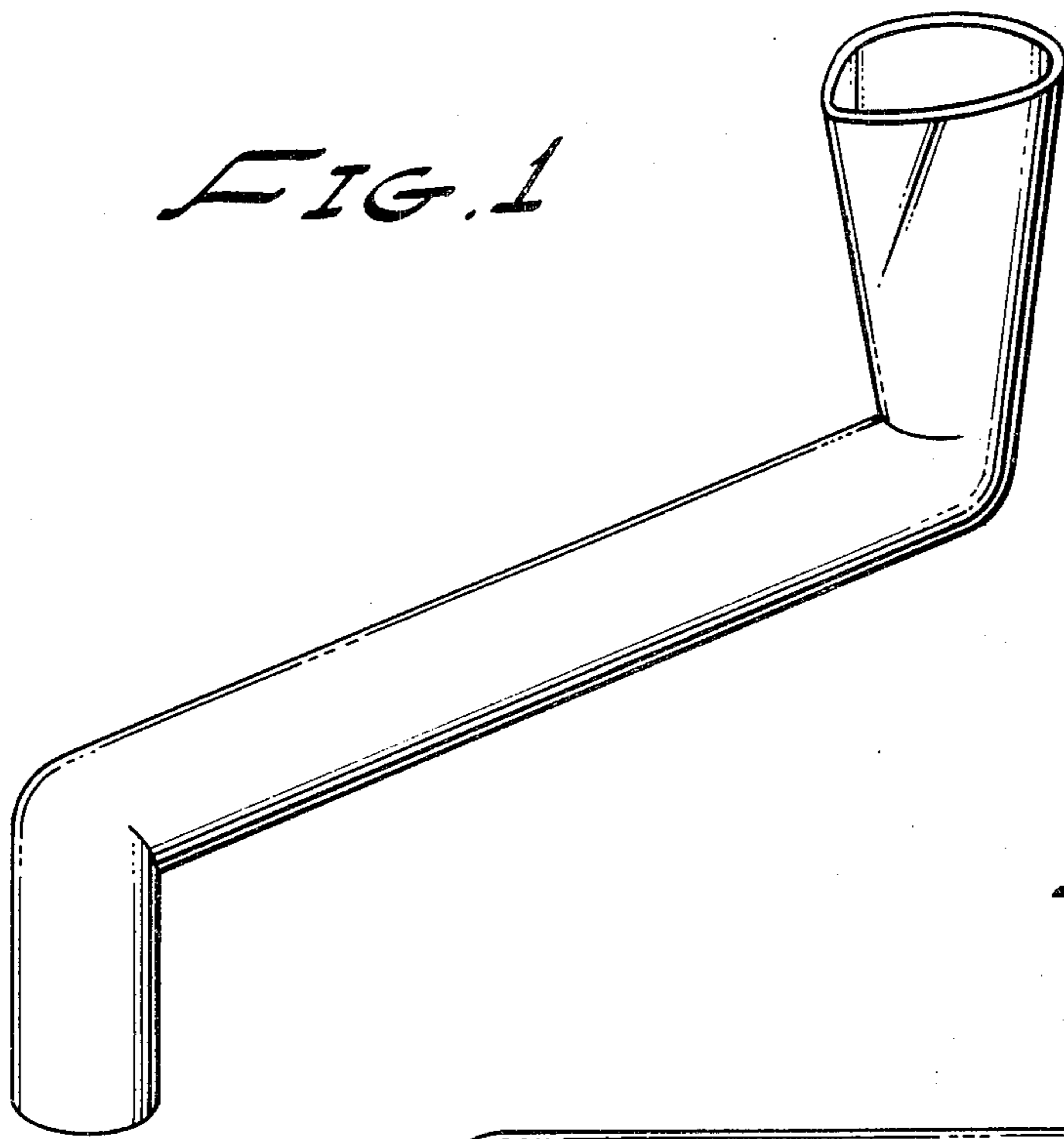


FIG. 1

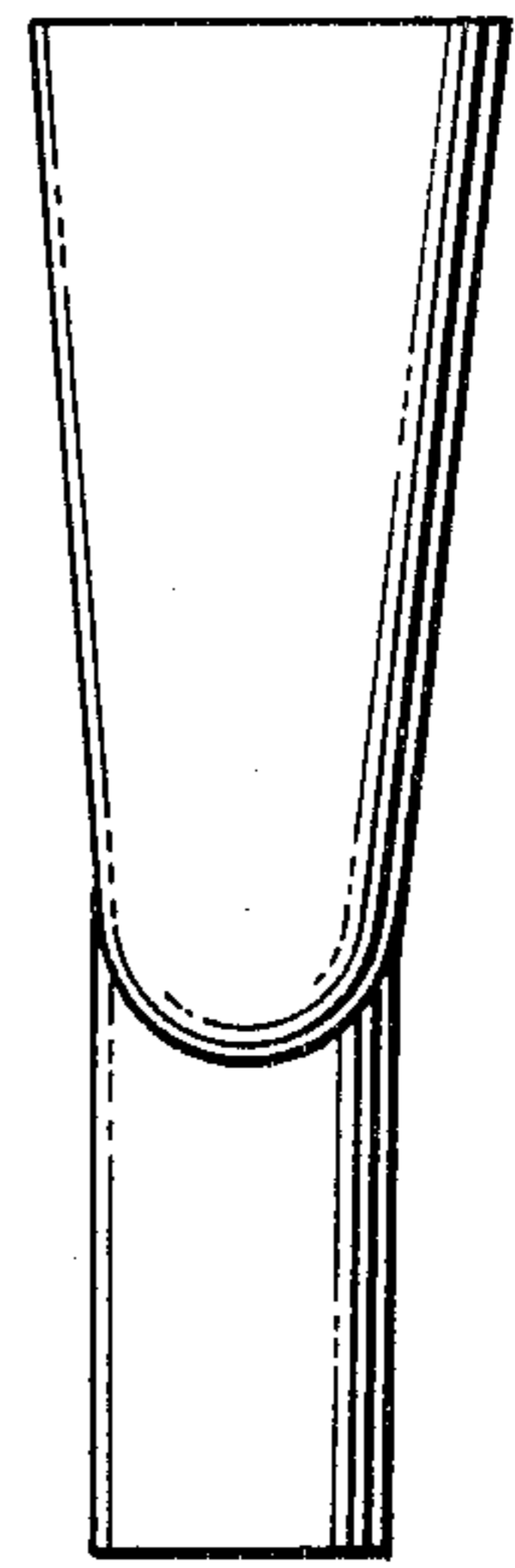


FIG. 2

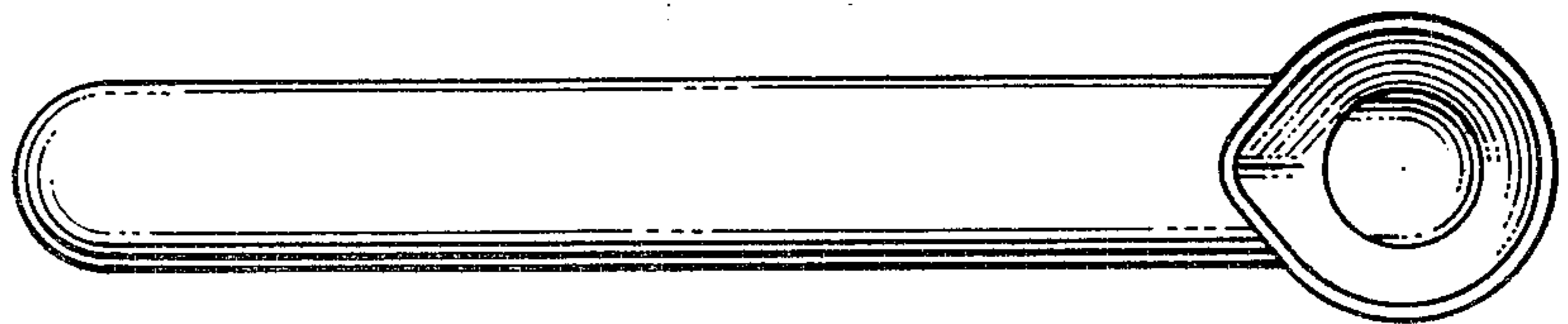


FIG. 3

FIG. 4

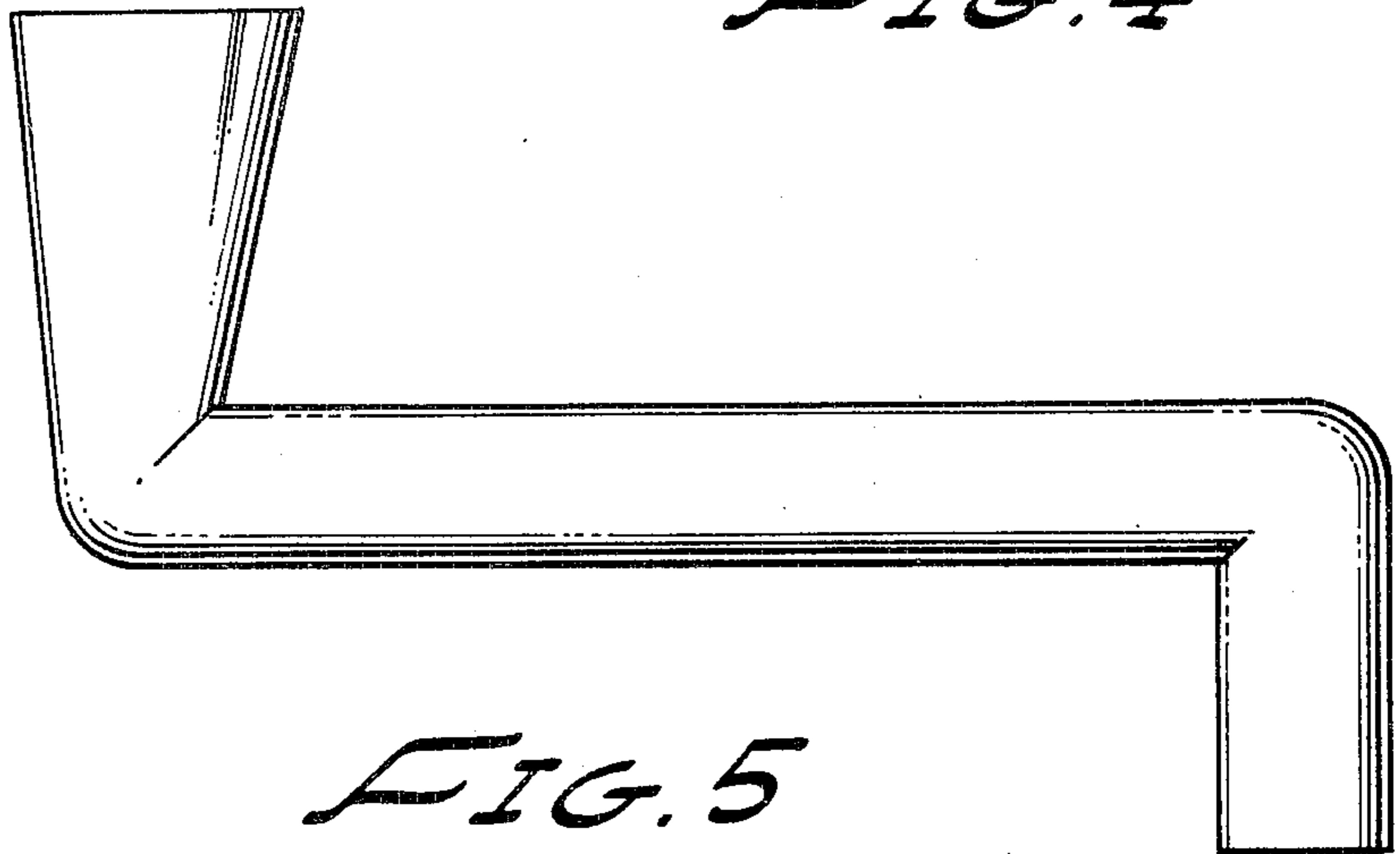
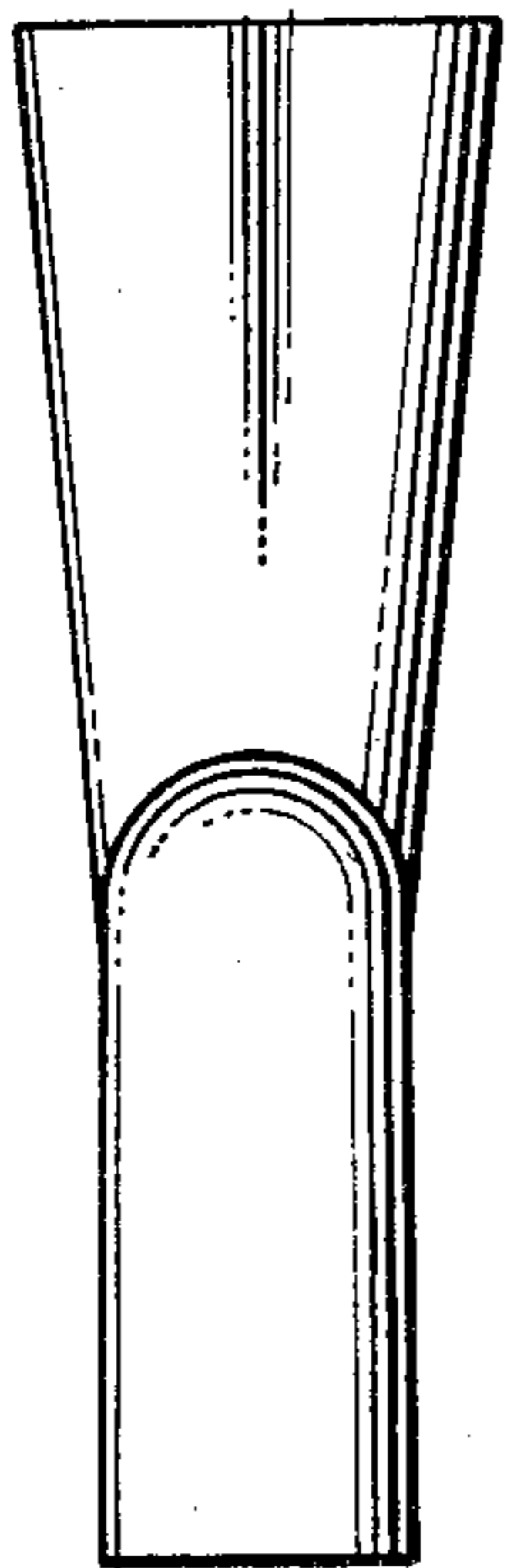


FIG. 5

FIG. 6