

[54] OVEN FOR USE ON A STOVE TOP

[76] Inventor: Robert Taylor, Rte. 5, Box 628, Asheville, N.C. 28803

[\*\*] Term: 14 Years

[21] Appl. No.: 633,905

[22] Filed: Jul. 23, 1984

[52] U.S. Cl. .... D7/348

[58] Field of Search ..... D7/350, 332, 336-337, D7/339, 346-348, 402-403, 407-409; 126/25 R, 25 A, 25 AA, 25 B, 26, 27, 29, 30, 9 R, 9 B; 99/419, 421 R, 421 HV, 425, 444-450, 448-449; 248/156

[56] References Cited

U.S. PATENT DOCUMENTS

- 1,051,503 1/1913 Klein ..... 99/448
- 2,221,098 11/1940 Langsam ..... 126/25 R
- 2,781,037 2/1957 Vuncannon ..... 126/25 A

- 3,433,211 3/1969 Latta ..... 126/25 R
- 3,555,995 1/1971 Berger ..... 99/450
- 3,623,423 11/1971 Berger ..... 99/450
- 3,892,222 7/1975 Darbo ..... 126/25 R
- 4,211,206 7/1980 Darbo ..... 99/449

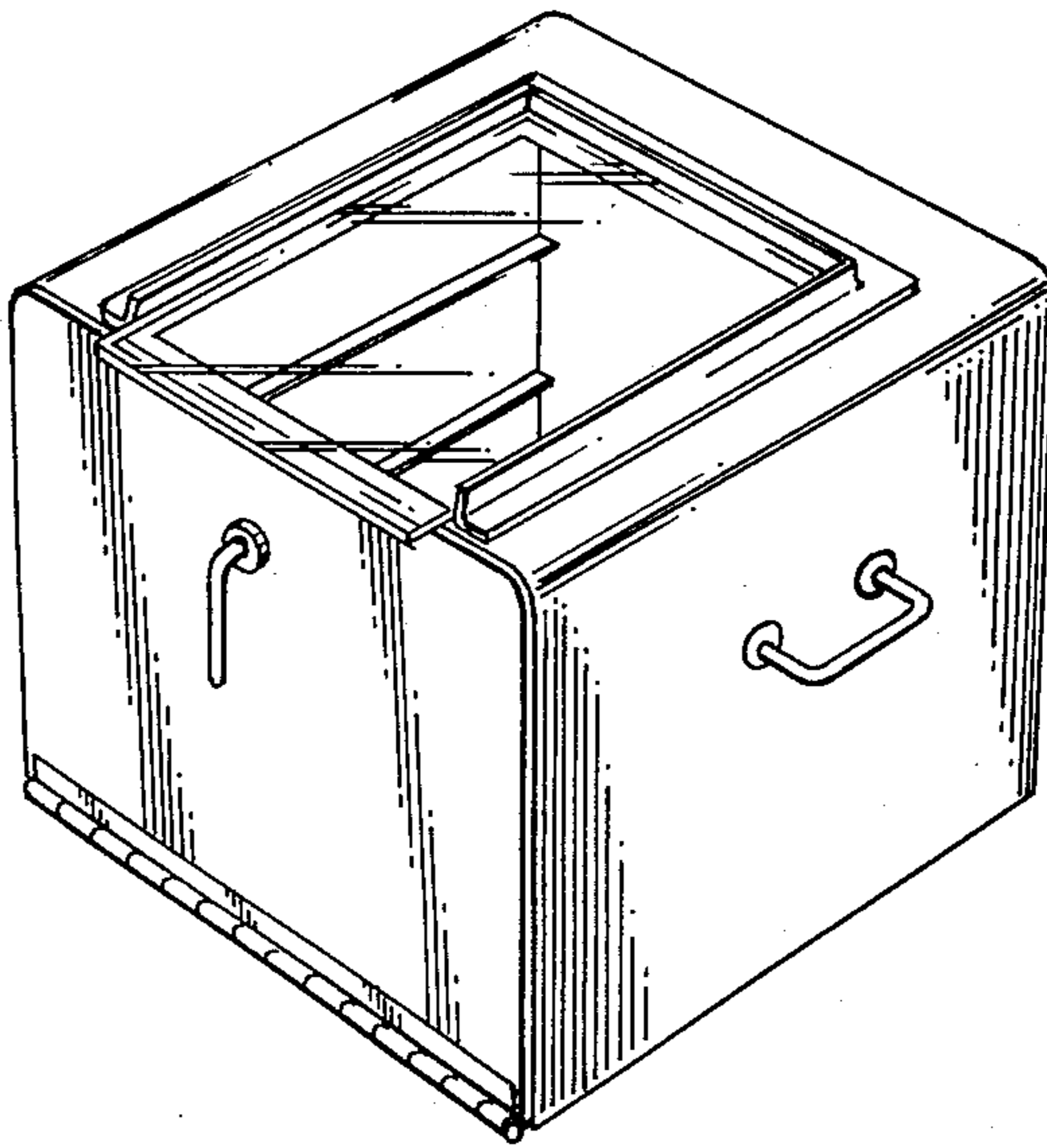
Primary Examiner—Wallace R. Burke  
Assistant Examiner—Ruth E. Takemoto  
Attorney, Agent, or Firm—David M. Carter

[57] CLAIM

The ornamental design for an oven for use on a stove top, as shown.

DESCRIPTION

FIG. 1 is a top, front and side perspective view of an oven for use on a stove top showing my new design; FIG. 2 is a front elevational view thereof; FIG. 3 is a side elevational view thereof; FIG. 4 is a rear elevational view thereof; FIG. 5 is a top plan view thereof; FIG. 6 is a bottom plan view thereof;



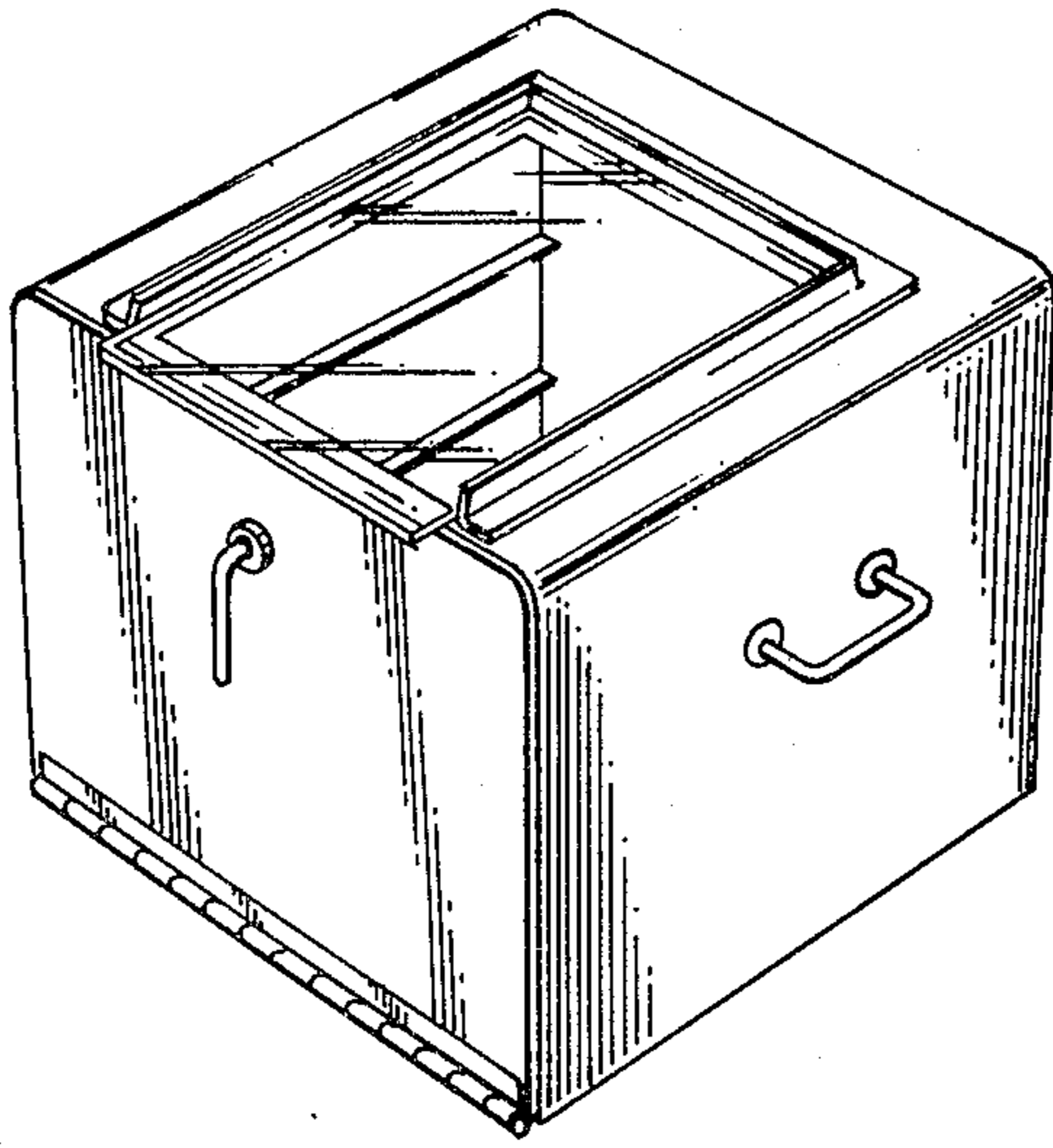


FIG. 1

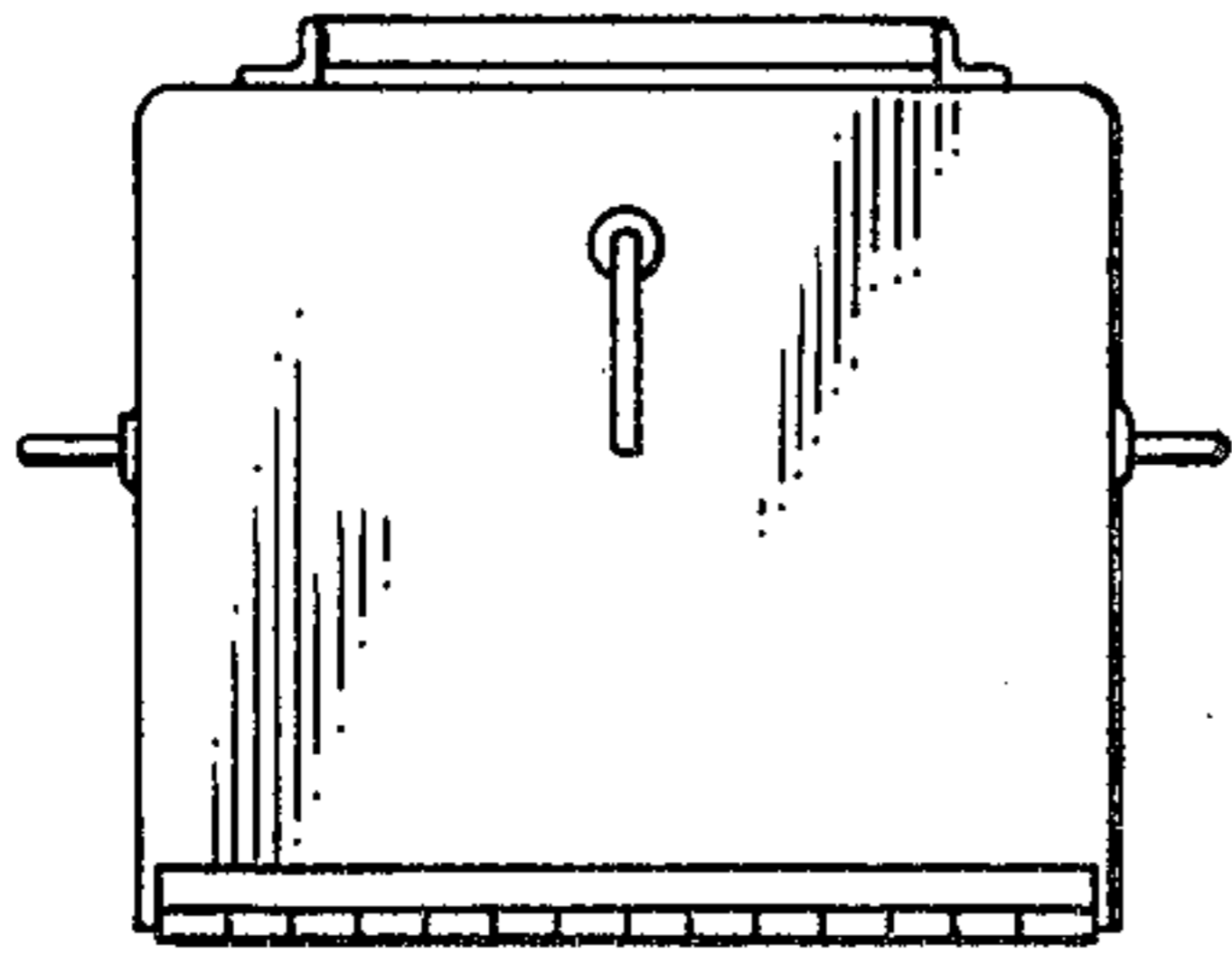


FIG. 2

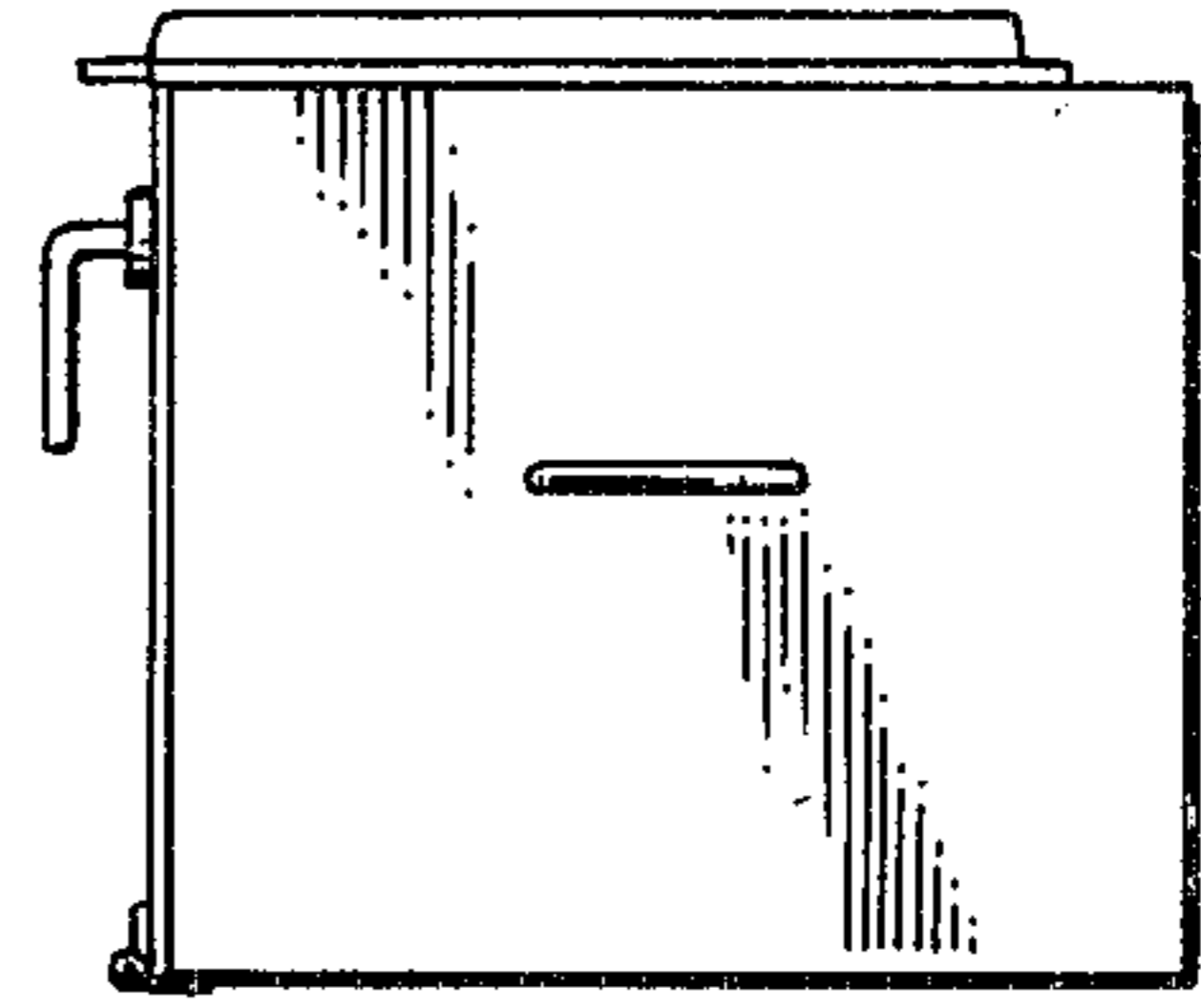


FIG. 3

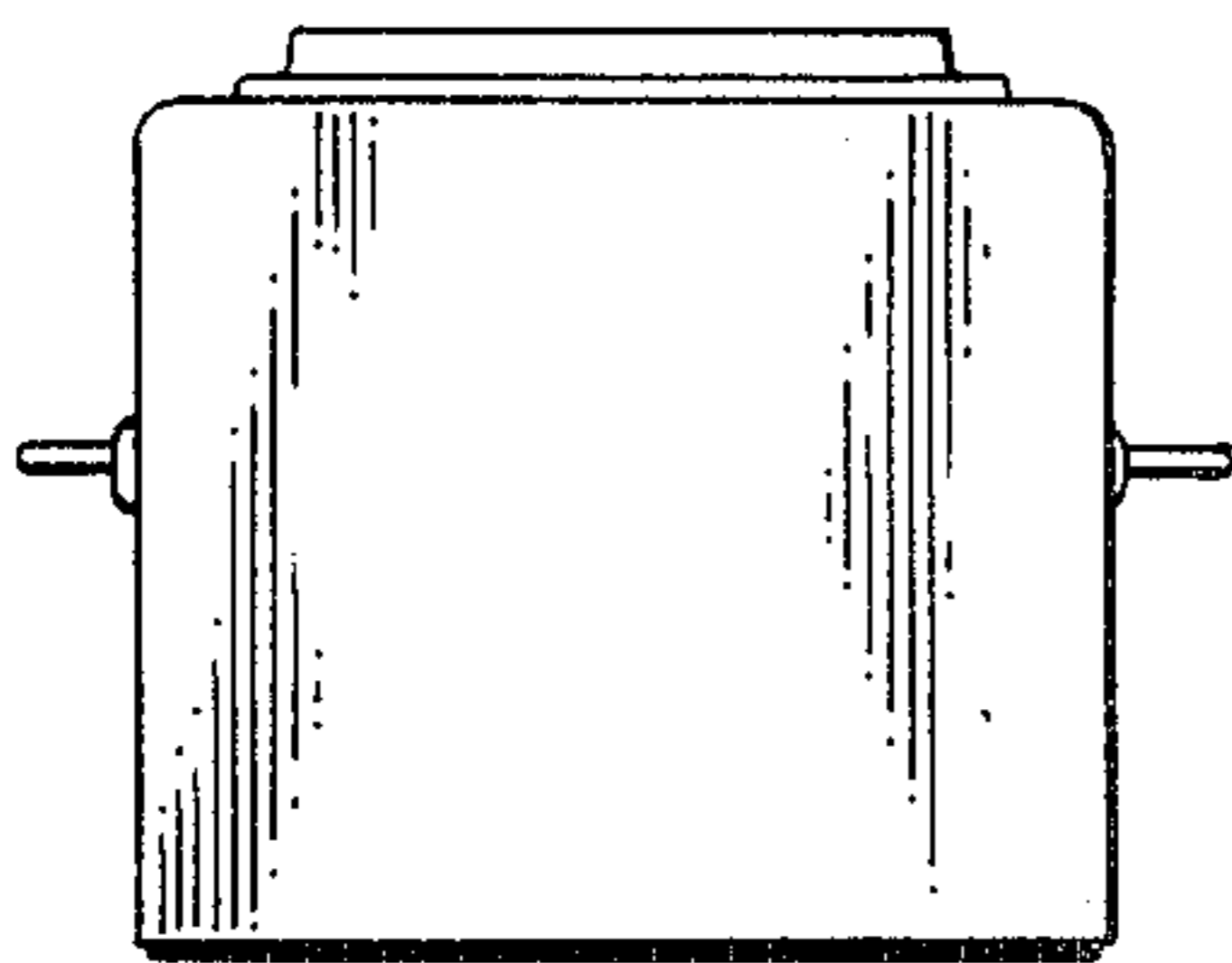


FIG. 4

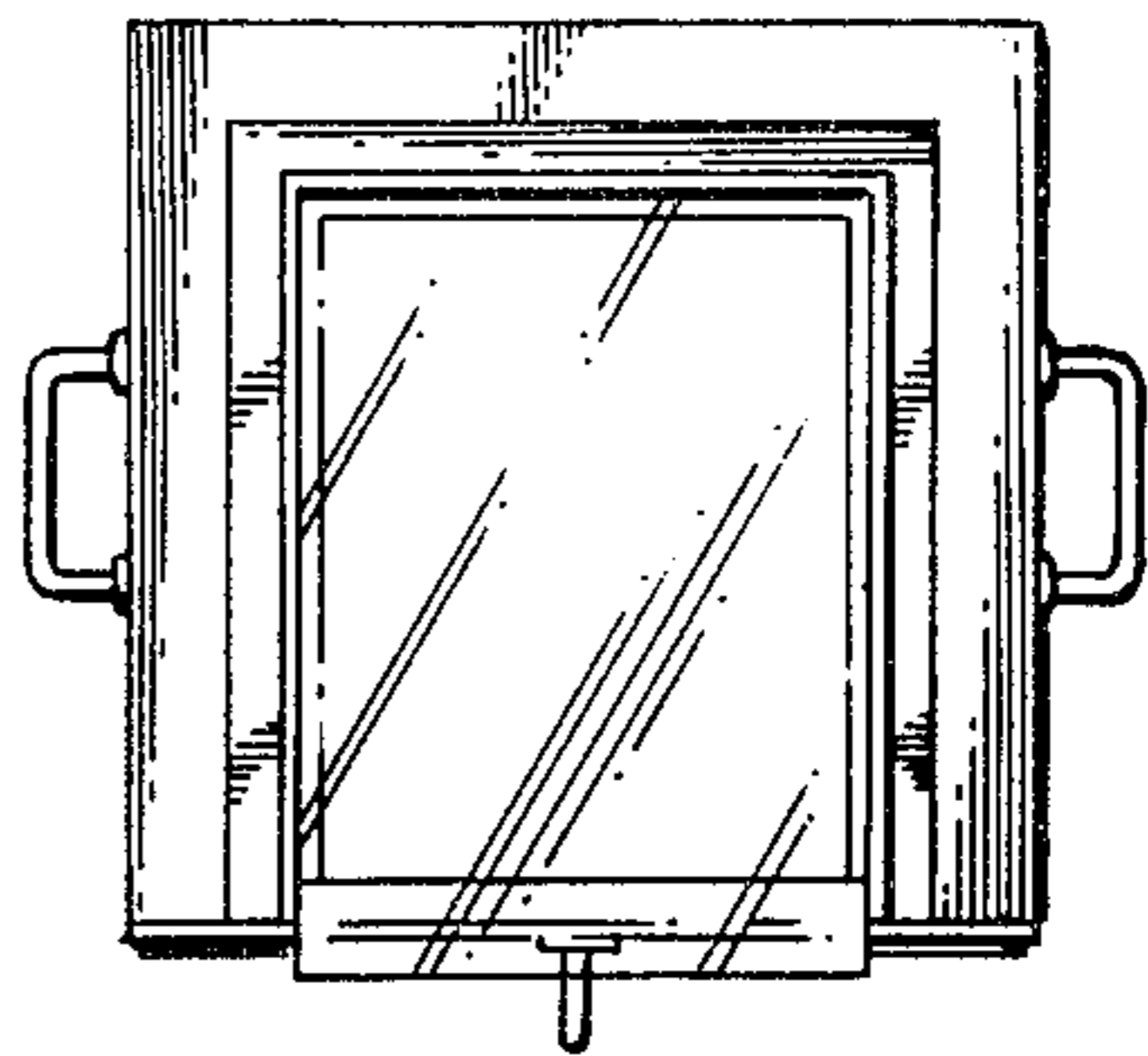


FIG. 5

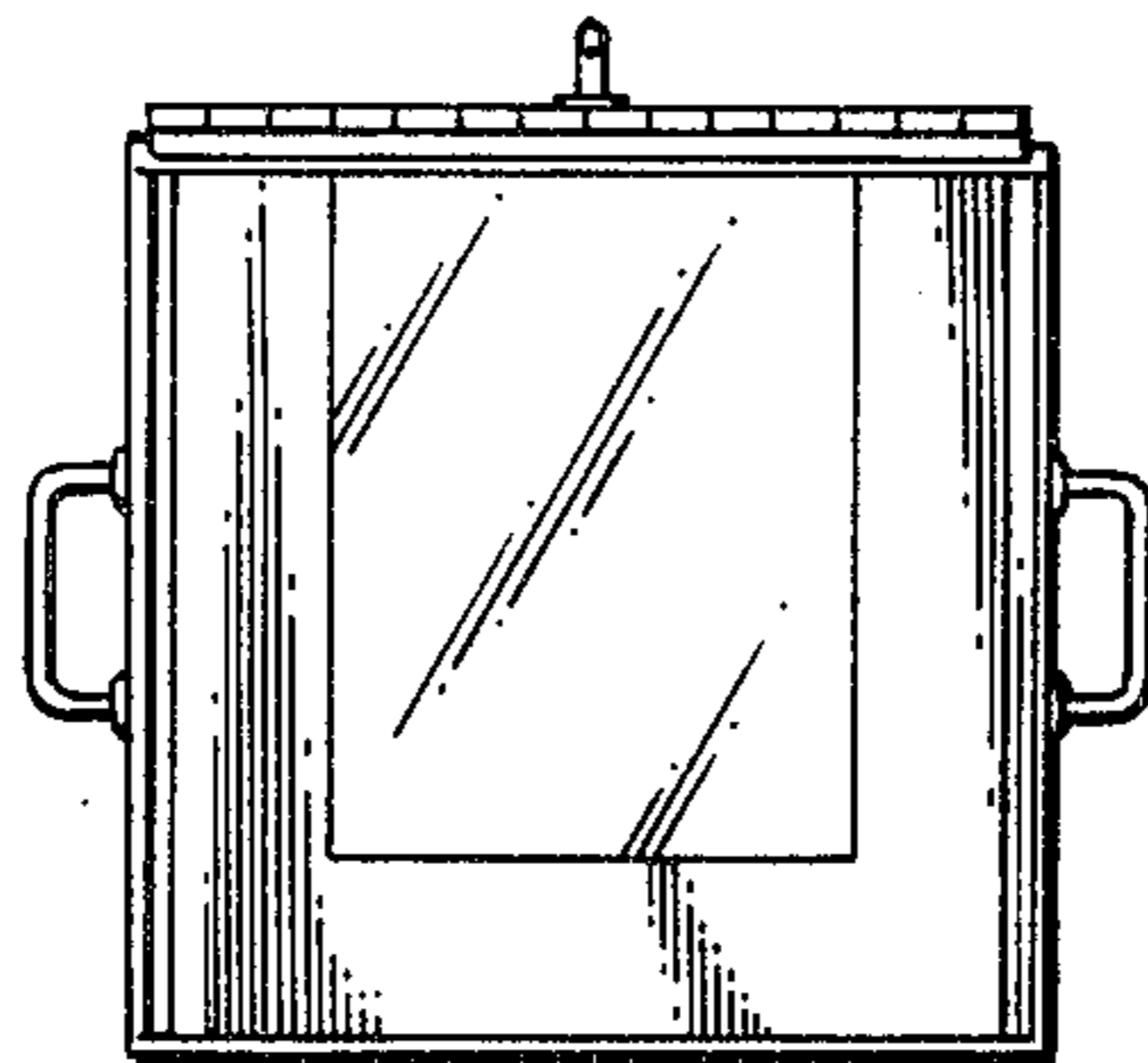


FIG. 6