

[54] ELECTRIC COFFEE-MACHINE

[75] Inventor: Hartwig Kahlcke, Kronberg, Fed. Rep. of Germany

[73] Assignee: Braun Aktiengesellschaft, Kronberg, Fed. Rep. of Germany

[**] Term: 14 Years

[21] Appl. No.: 622,925

[22] Filed: Jun. 21, 1984

[30] Foreign Application Priority Data

Dec. 27, 1983 [DE] Fed. Rep. of Germany 73 MR 9238

[52] U.S. Cl. D7/309

[58] Field of Search D7/308, 309, 300, 306, D7/307, 305, 310, 311, 319

[56] References Cited

U.S. PATENT DOCUMENTS

D. 218,191	7/1970	Tevolitz	D7/309
D. 240,386	7/1976	Stuetzer	D7/309
D. 241,219	8/1976	Martin	D7/309
D. 255,120	5/1980	Bardeau	D7/309

FOREIGN PATENT DOCUMENTS

57983	of 1974	Hague .
69593	of 1979	Hague .
MR 9334	of 1983	Fed. Rep. of Germany .

MR 9381 of 1983 Fed. Rep. of Germany .
MR 9404 of 1983 Fed. Rep. of Germany .

OTHER PUBLICATIONS

Home Furnishings Daily, Jul. 14, 1975, Sec. 2, p. 24, The Metal Ware Corp., Drip Coffeemaker for 5-10 oz. Cups.

Schoner Wohnen, 2-1977, p. 150 SW, top left Coffee Machine and lower right Coffee Machine.

Form 93, 1-1981, p. 80, "Rowenta Filtermatic S", Coffee Maker.

Primary Examiner—Winifred E. Herrmann

Attorney, Agent, or Firm—Raymond J. De Vellis

[57] CLAIM

The ornamental design for an electric coffee-machine, substantially as shown and described.

DESCRIPTION

FIG. 1 is a top, front, and left side perspective view of an electric coffee-machine showing my new design; FIG. 2 is a right side perspective view thereof; FIG. 3 is a left side perspective view thereof; FIG. 4 is a front perspective view thereof; FIG. 5 is a rear perspective view thereof; FIG. 6 is a top plan view thereof; FIG. 7 is a bottom plan view thereof; FIG. 8 is a left side elevational view; and FIG. 9 is an enlarged fragmentary sectional view taken on line 9-9 of FIG. 3.

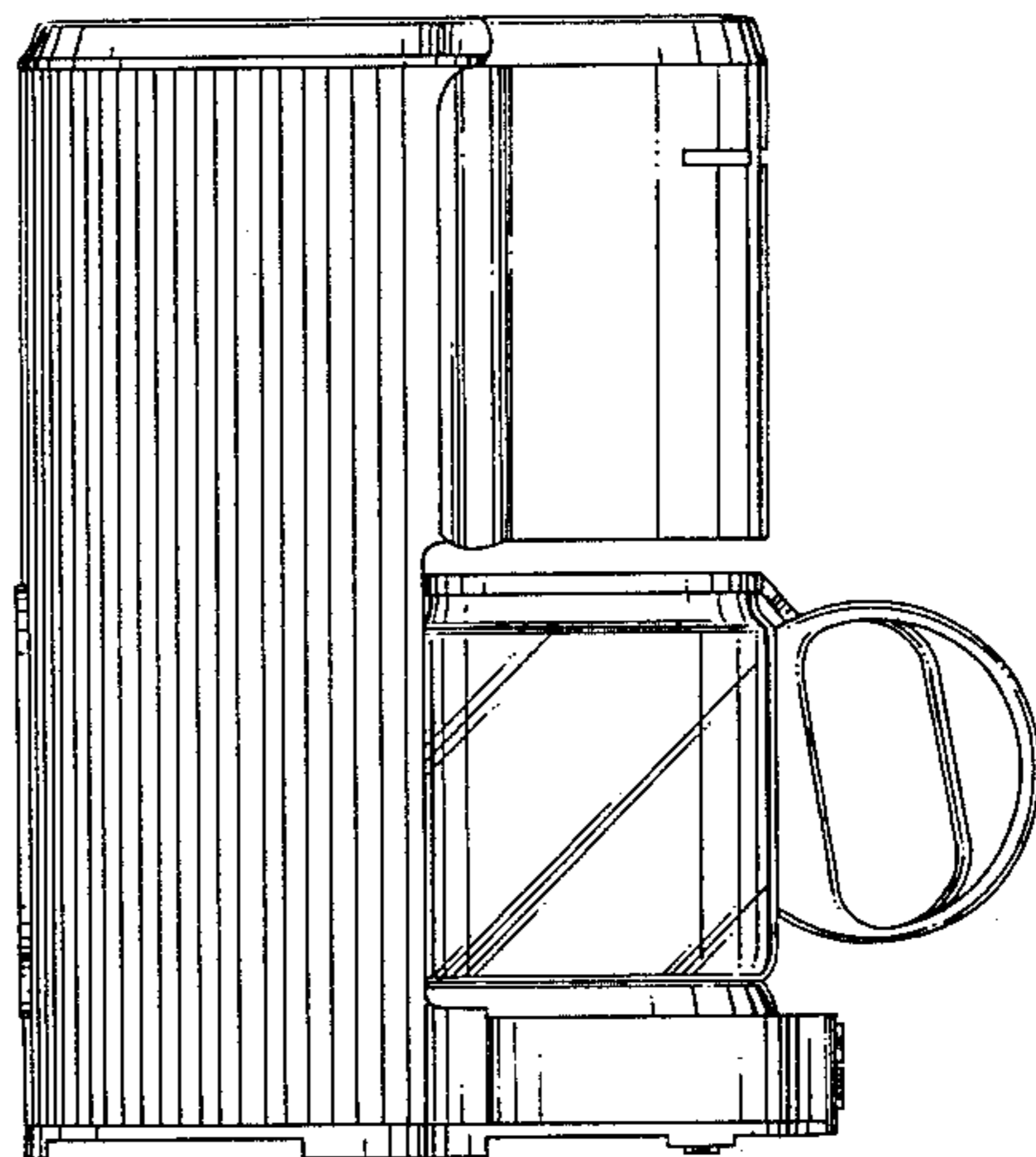
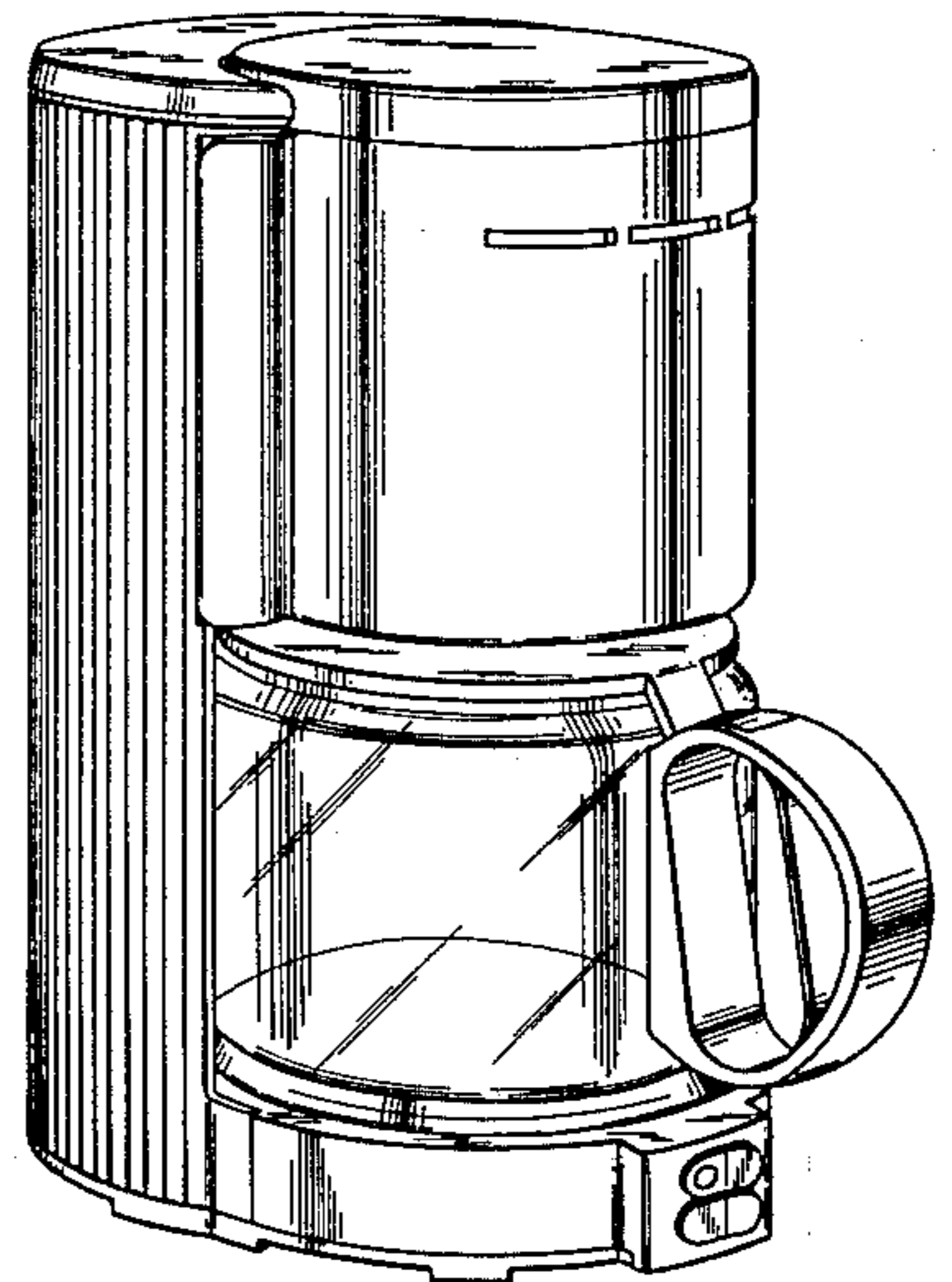
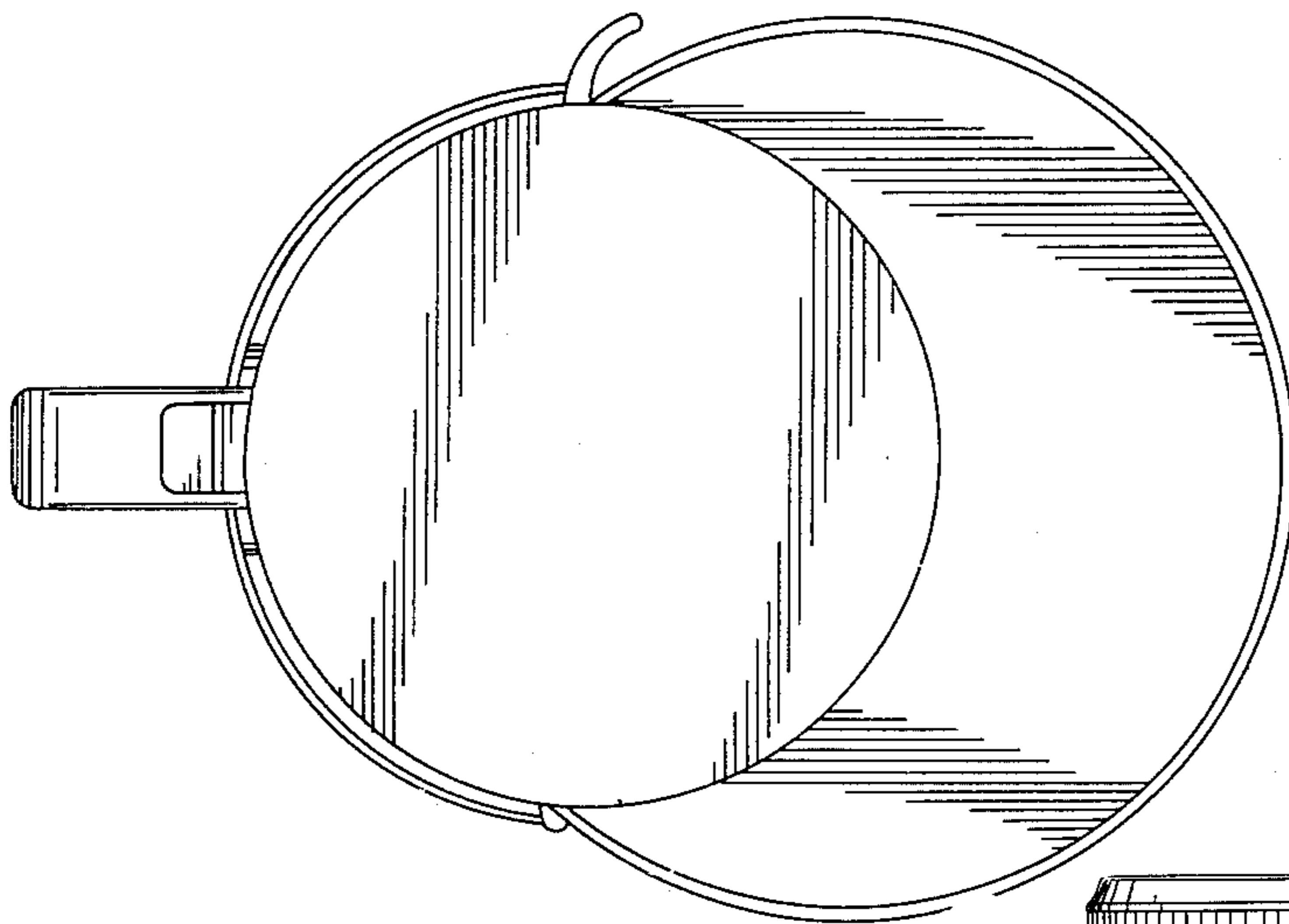


FIG. 1

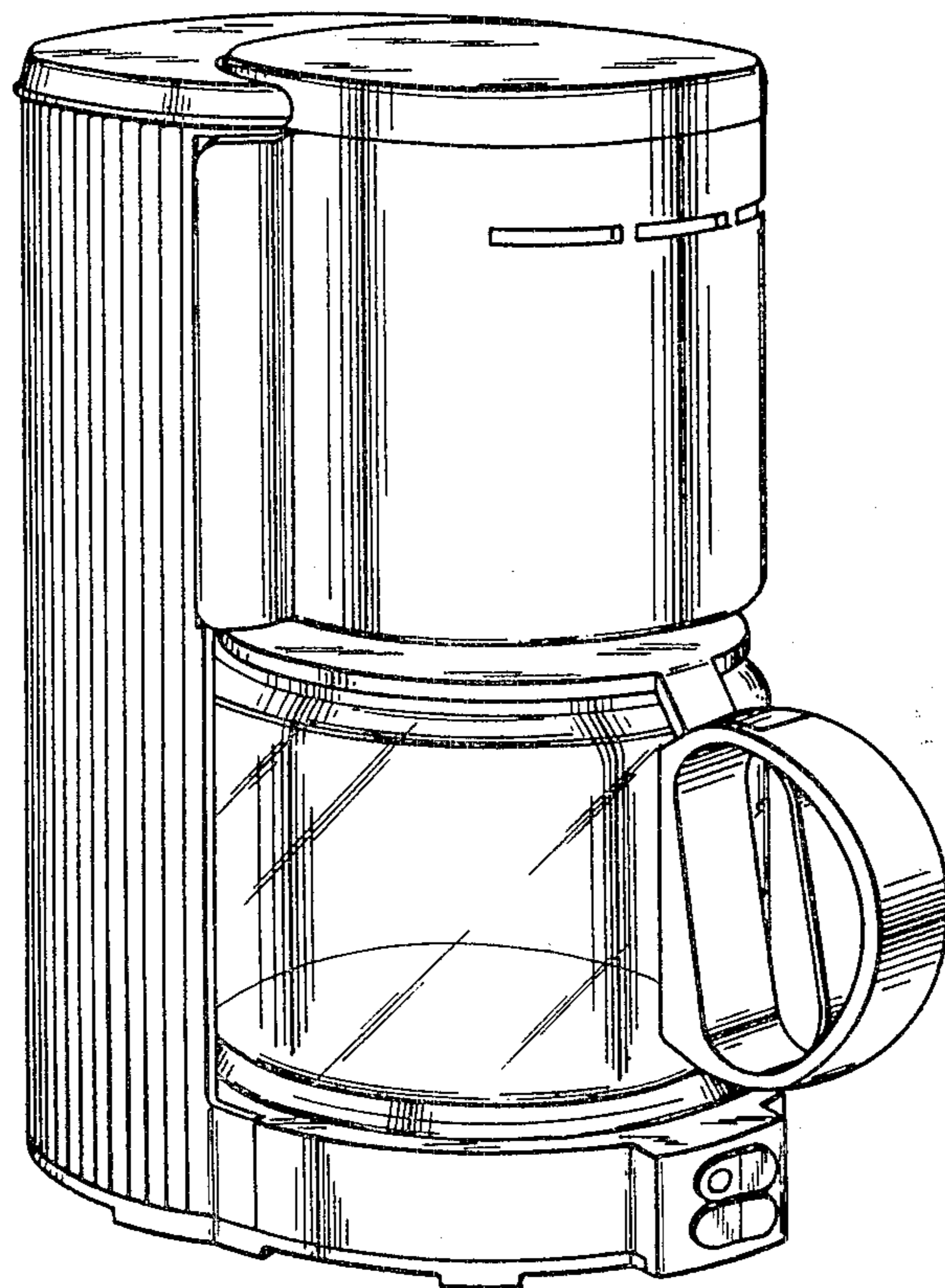


FIG. 3

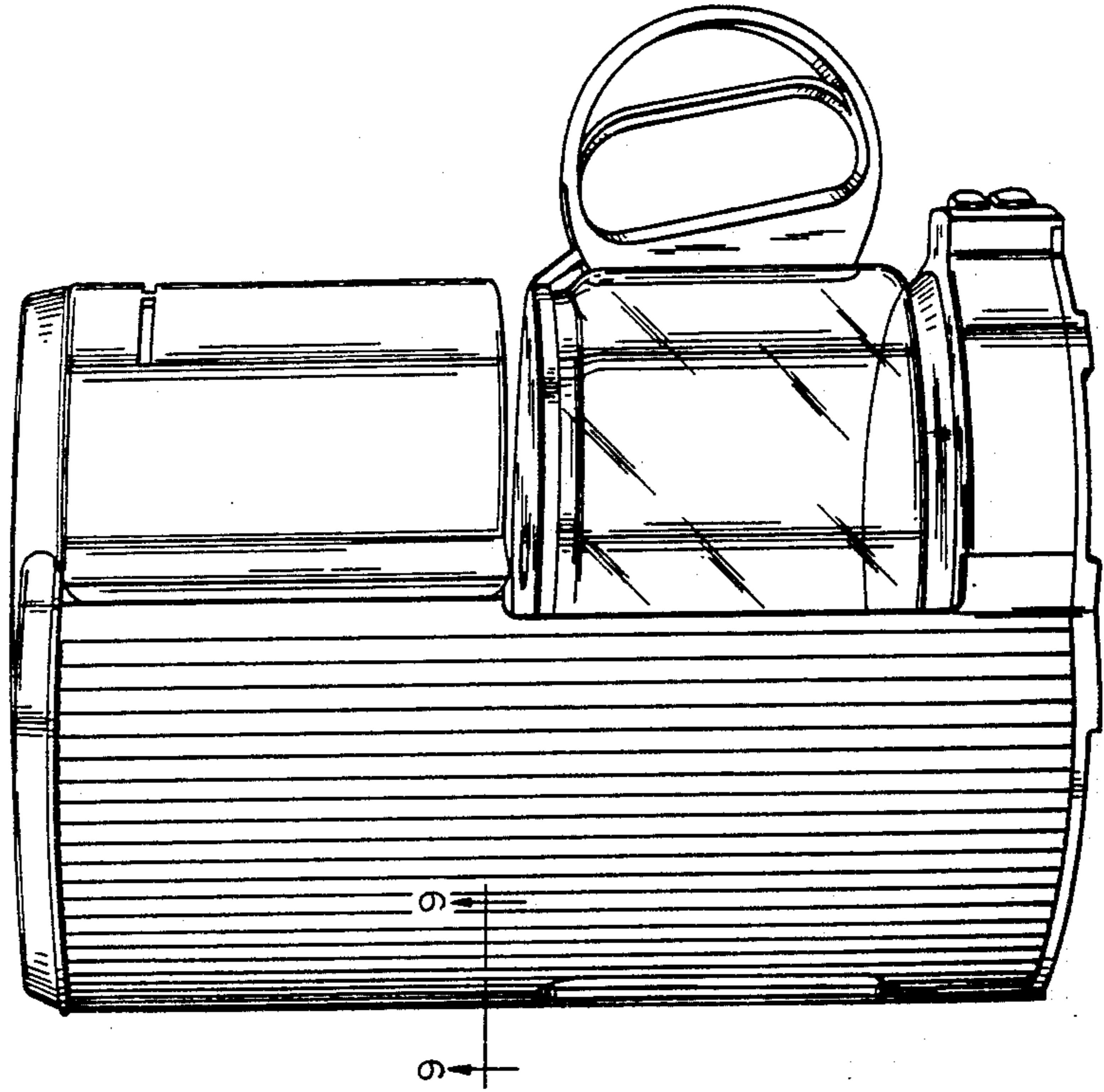


FIG. 2

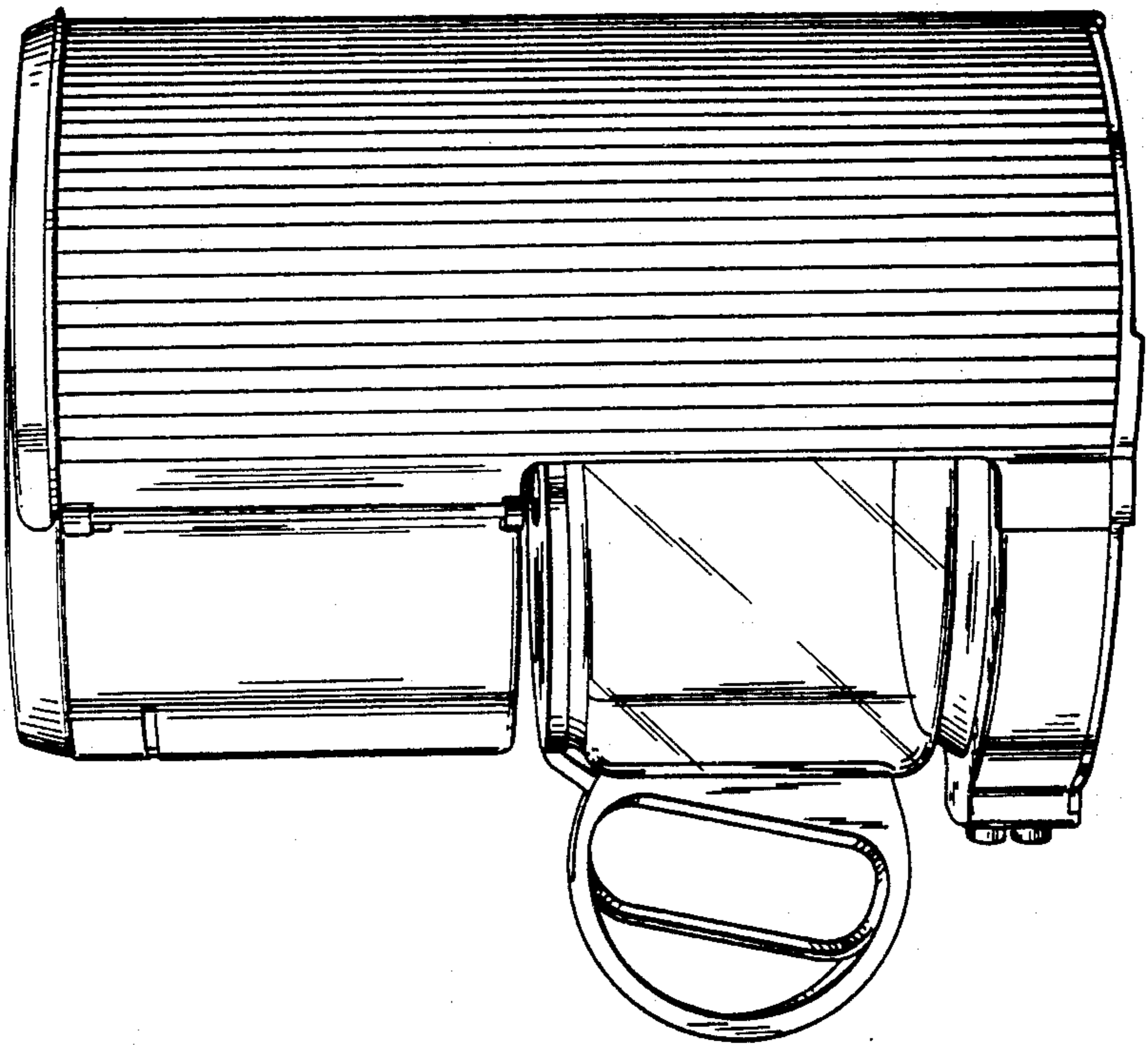


FIG. 4

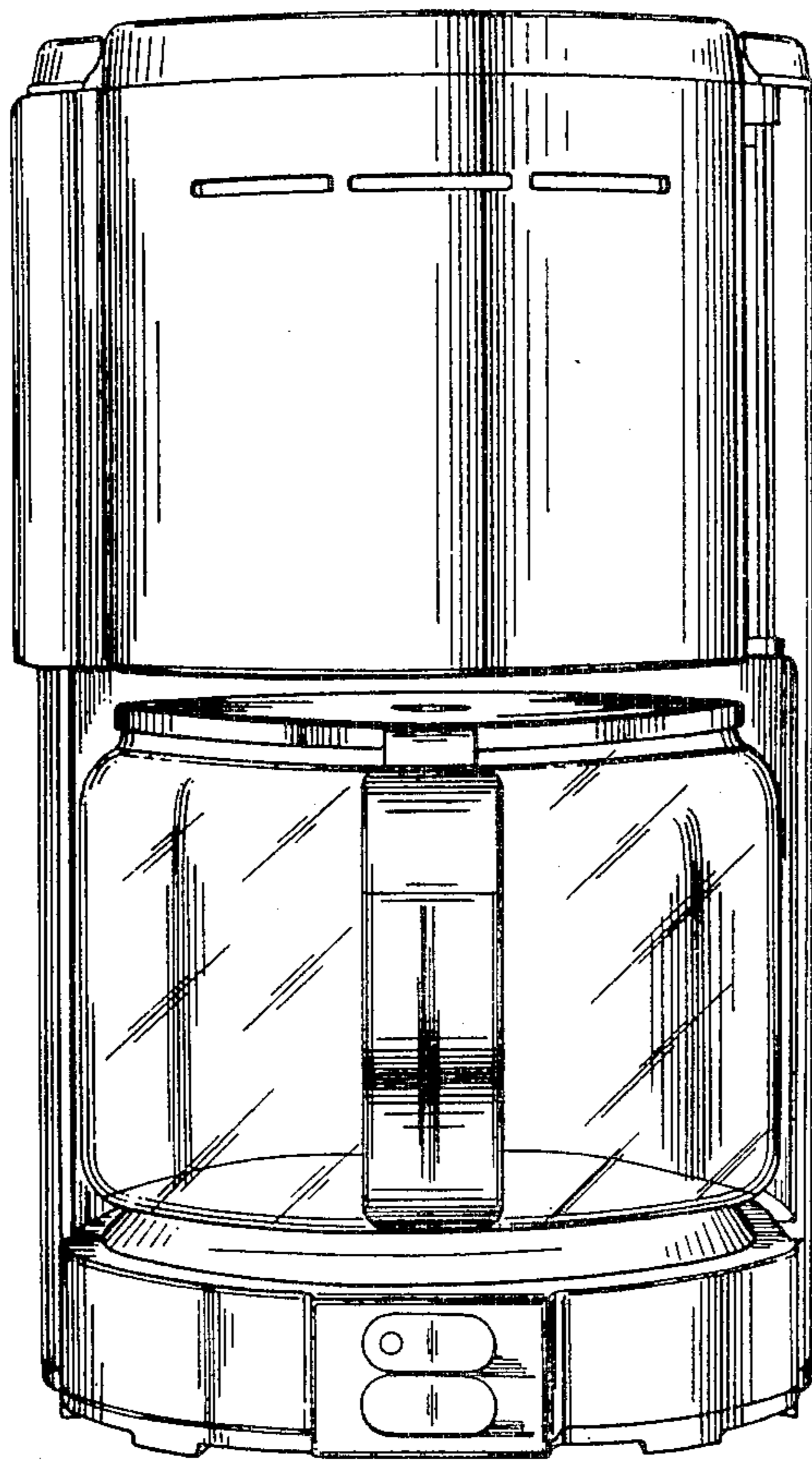


FIG. 5

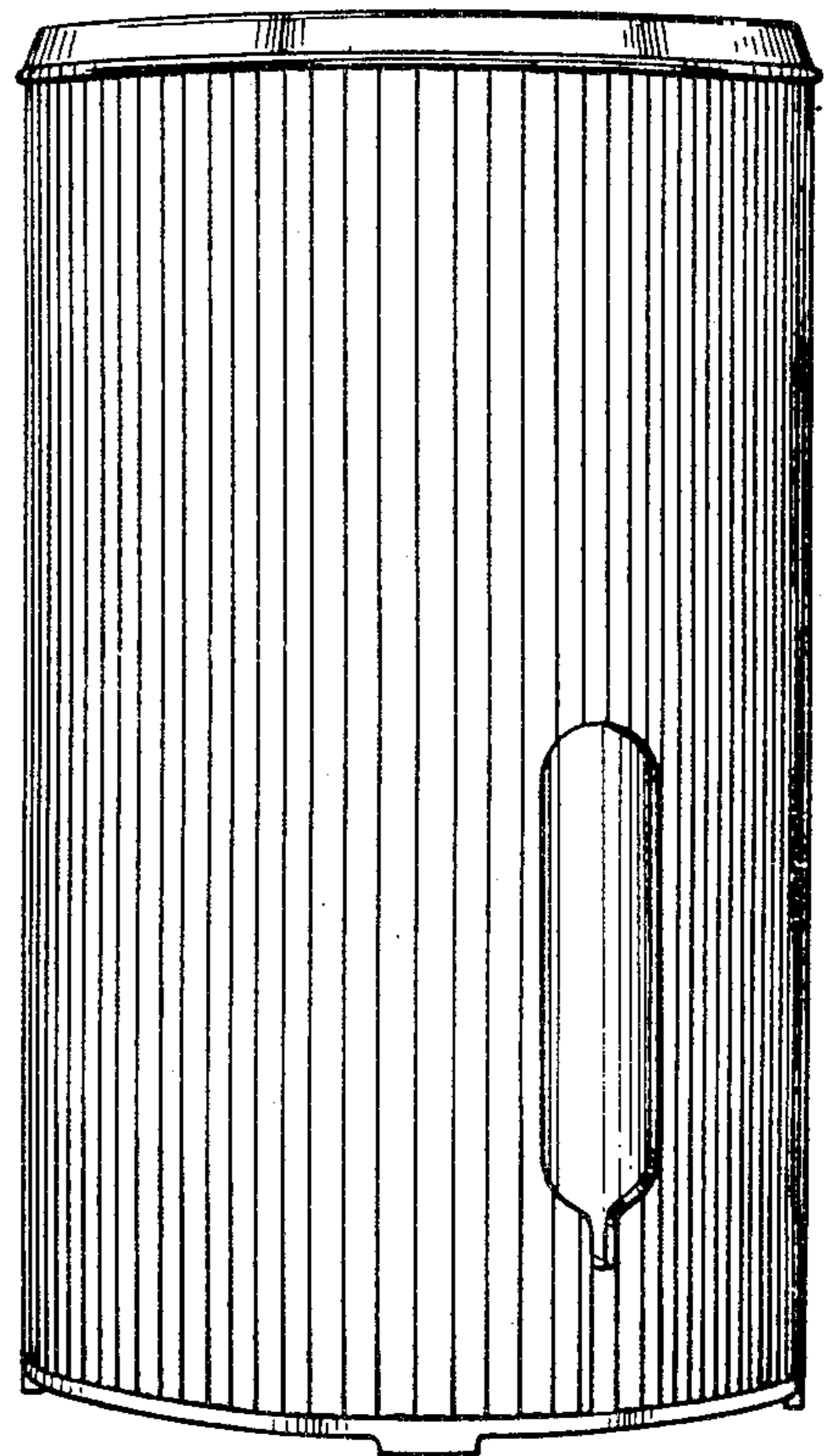


FIG. 6

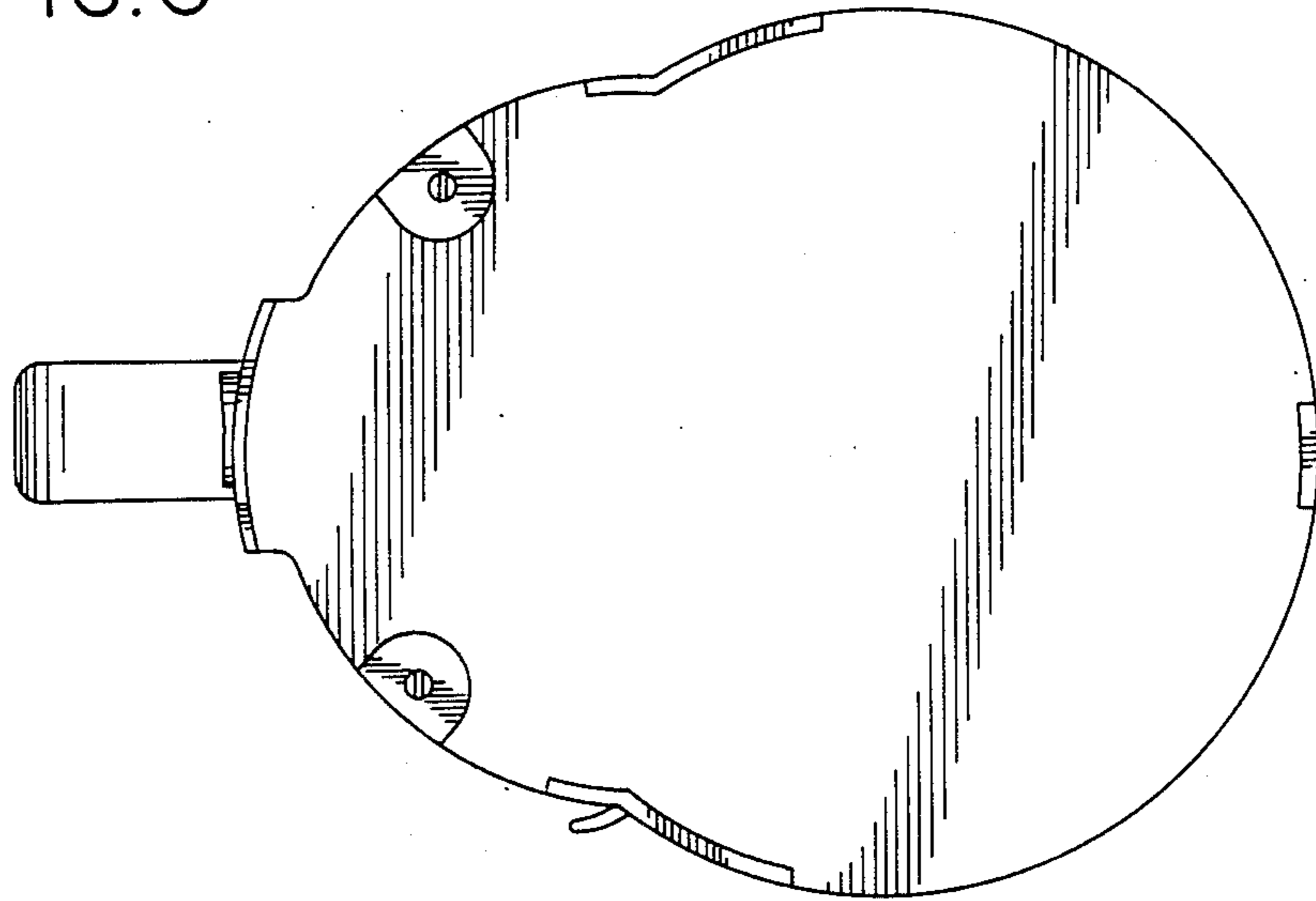


FIG. 7

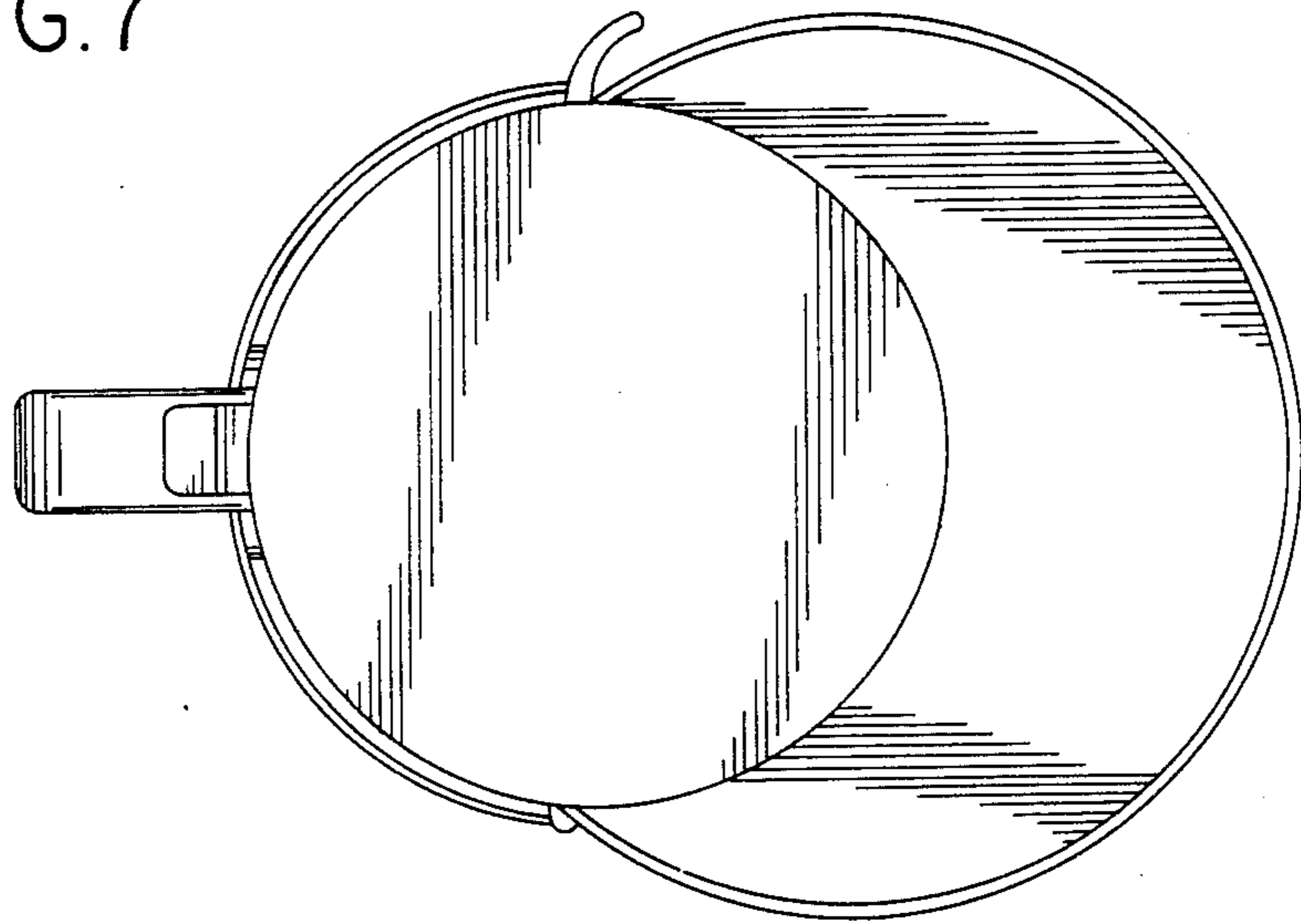


FIG. 8

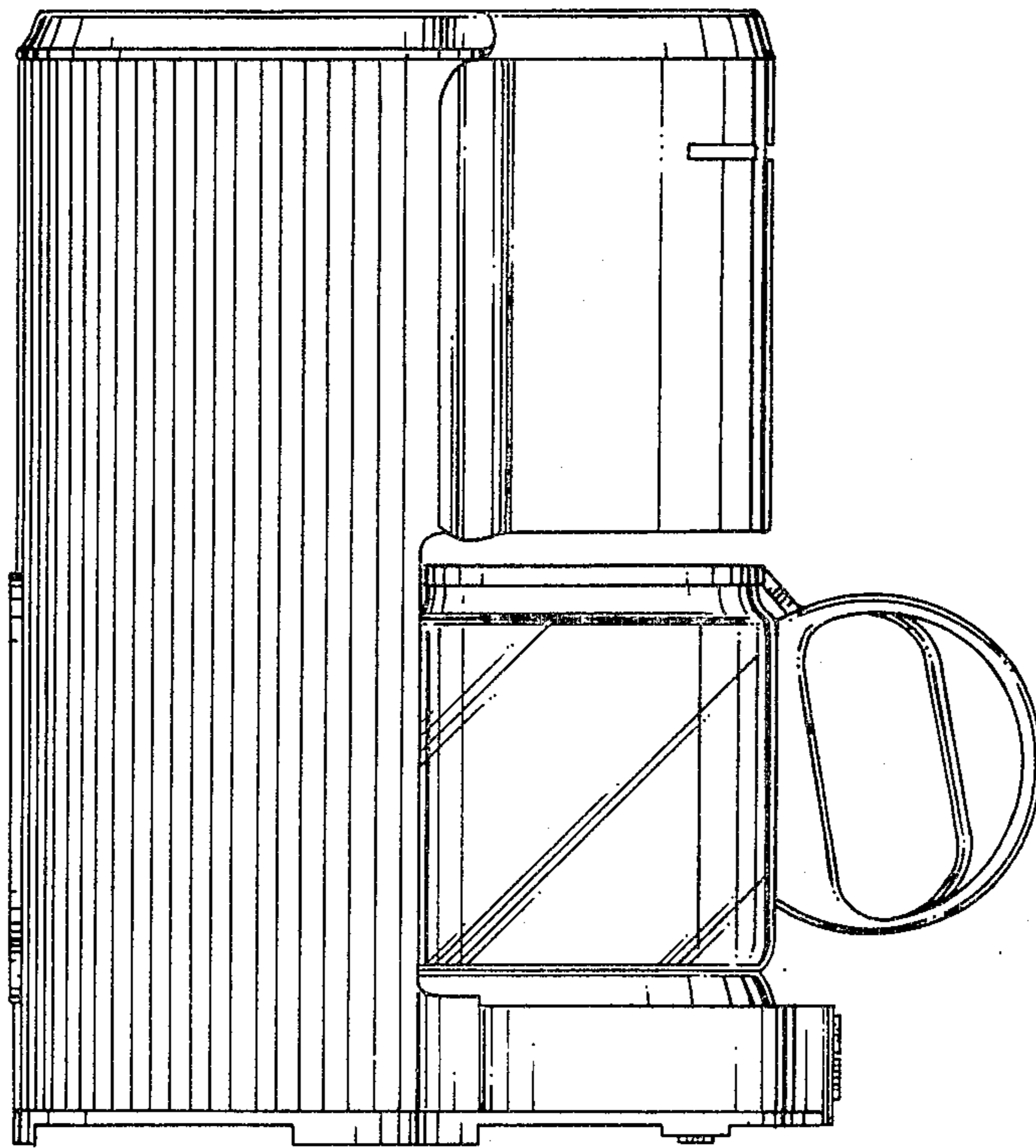


FIG. 9

