

[54] **ADJUSTABLE SUPPORT STAND FOR AN OFFICE MACHINE**

[76] **Inventor: Fred J. van de Oudeweetering, Wagnerlaan 12, 1411 JE Naarden, Netherlands**

[**] **Term: 14 Years**

[21] **Appl. No.: 606,135**

[22] **Filed: May 2, 1984**

[30] **Foreign Application Priority Data**

Nov. 7, 1983 [XB]	Benelux	58415
[52] U.S. Cl.	D6/496; D6/429;	
	D6/431; D6/499	
[58] Field of Search	D6/431, 480, 495, 421,	
	D6/422, 428, 429, 496, 499	

[56] **References Cited**

U.S. PATENT DOCUMENTS

D. 252,388	7/1979	Fjello-Jensen	D6/431 X
D. 277,717	2/1985	Petrick	D6/495

OTHER PUBLICATIONS

Industrial Design, Sep./Oct. 1976, p. 49, Drafting Table by Hansa.

Primary Examiner—Bruce W. Dunkins
Attorney, Agent, or Firm—Birch, Stewart, Kolasch & Birch

[57] **CLAIM**

The ornamental design for an adjustable support stand for an office machine, as shown.

DESCRIPTION

FIG. 1 is a perspective view of an adjustable support stand for an office machine showing my design;
FIG. 2 is a top plan view;
FIG. 3 is a bottom plan view;
FIG. 4 is a front elevational view; and
FIG. 5 is a side elevational view thereof.

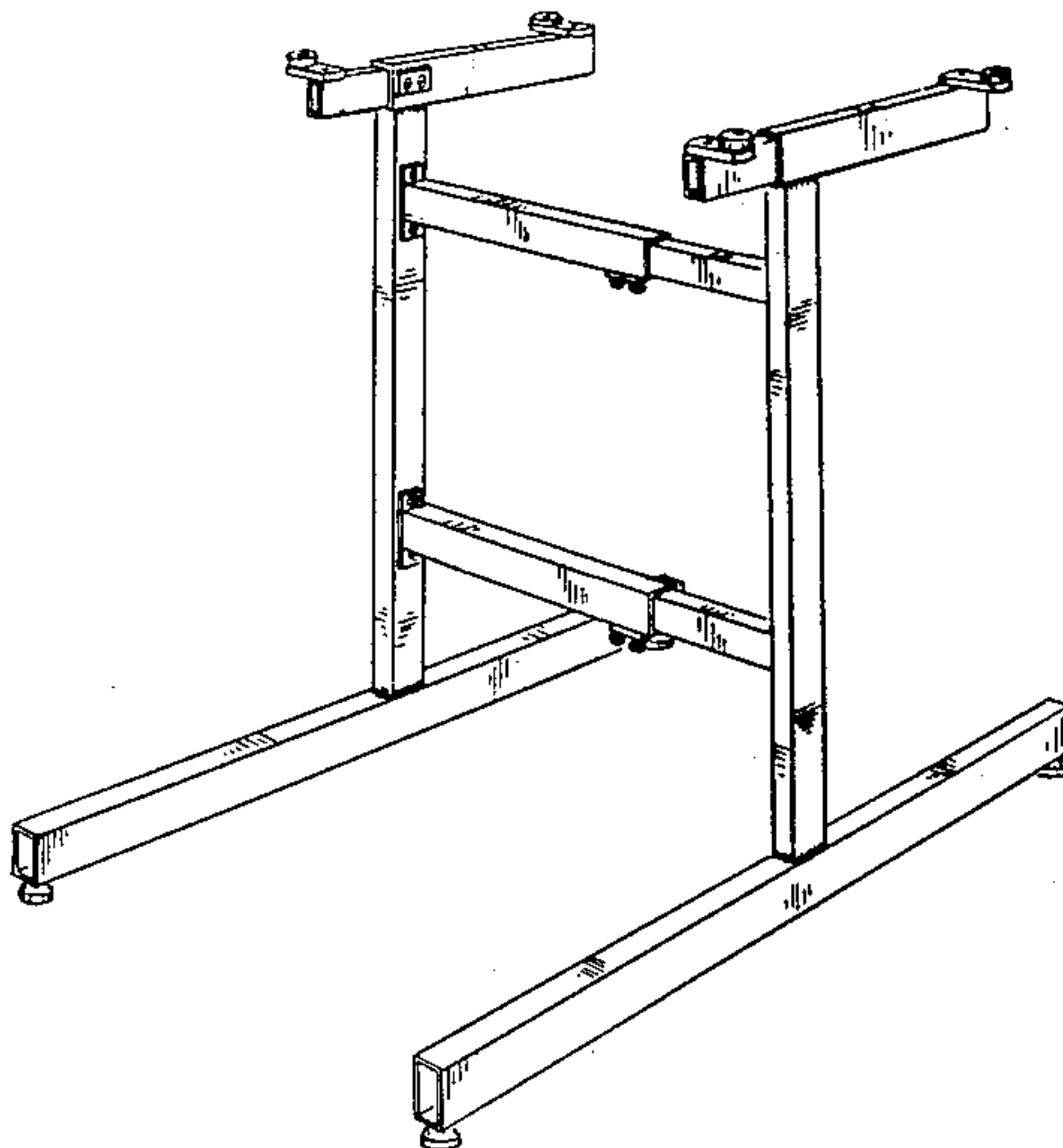


FIG. 1

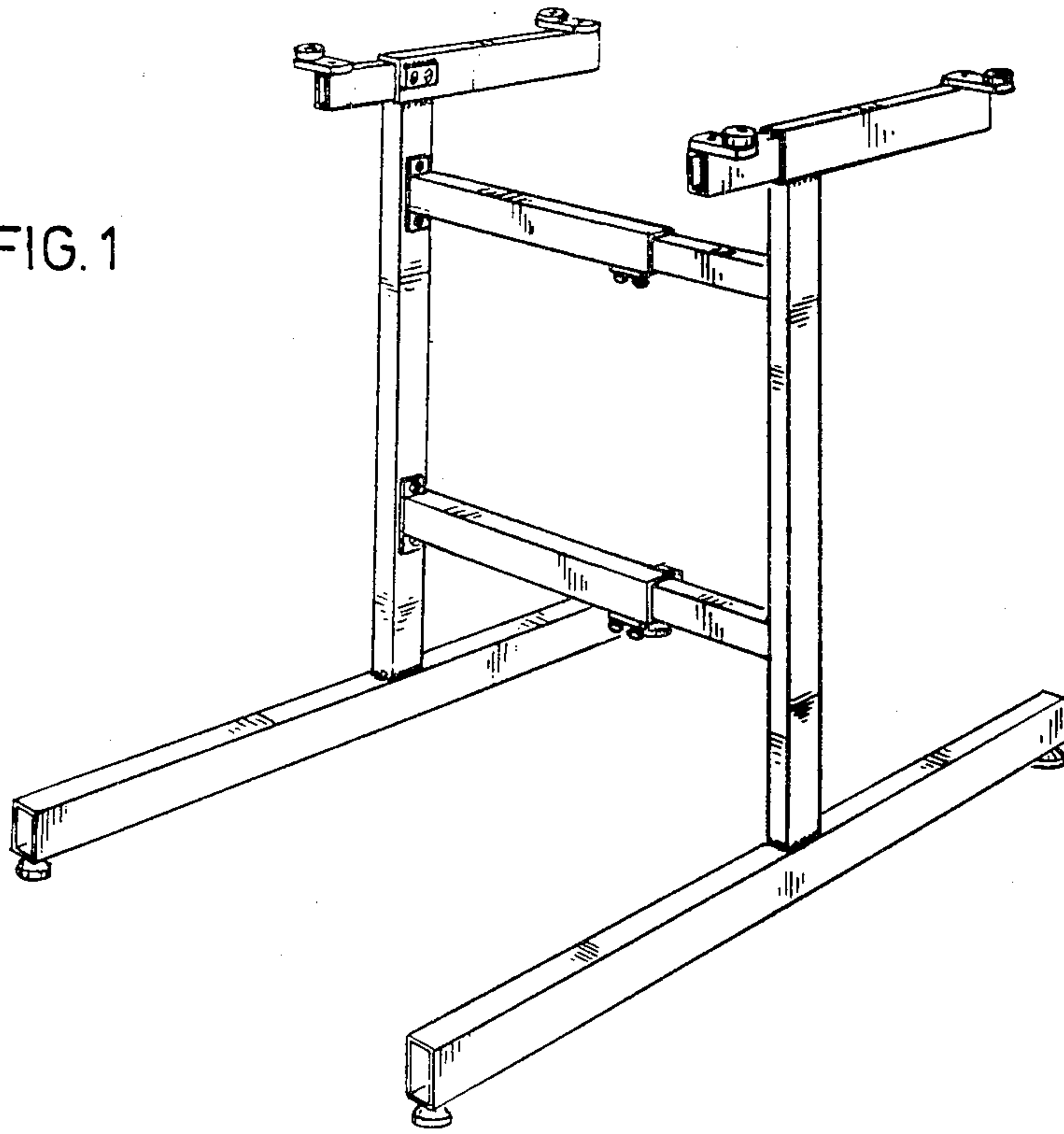


FIG. 2

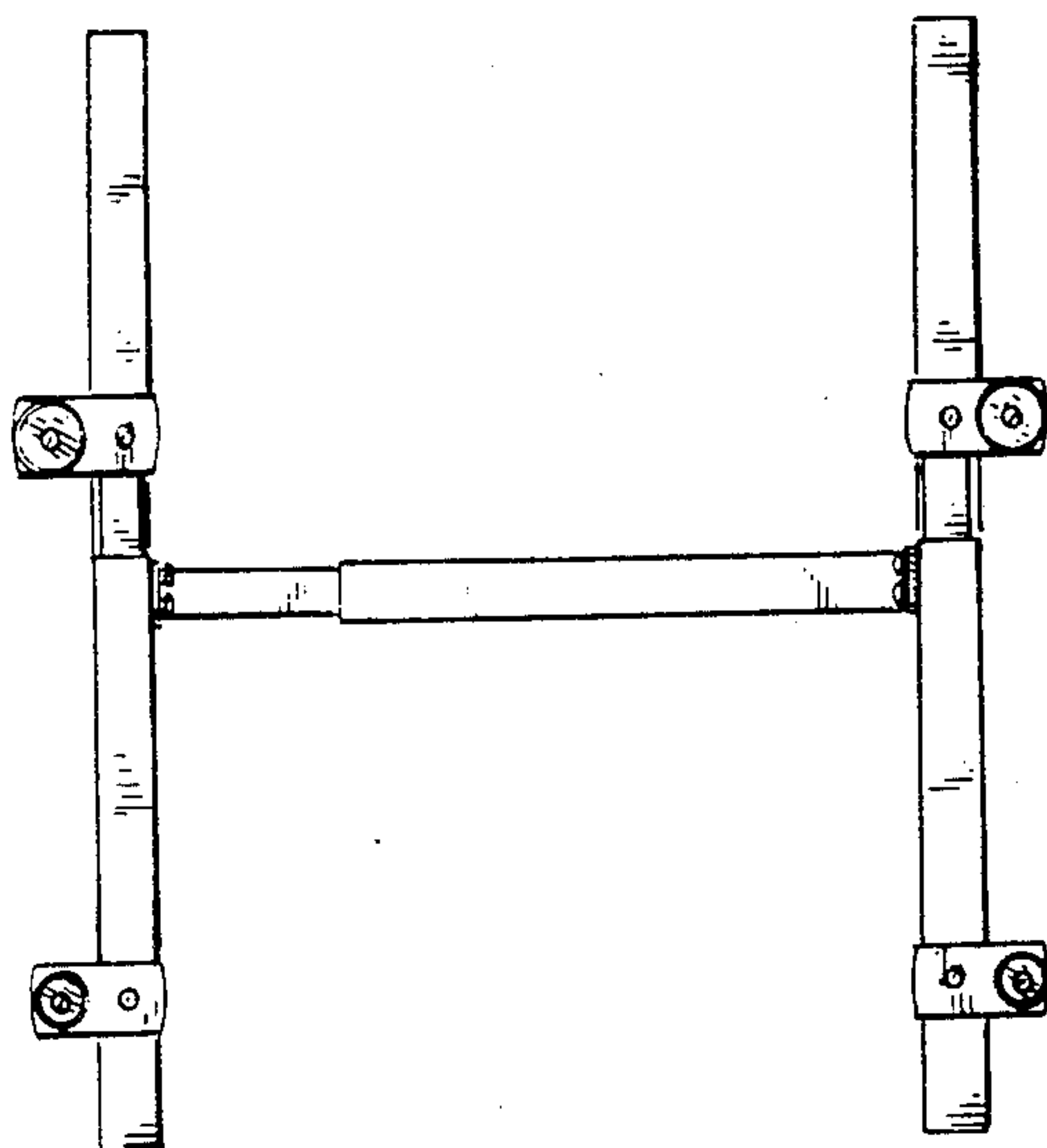


FIG. 3

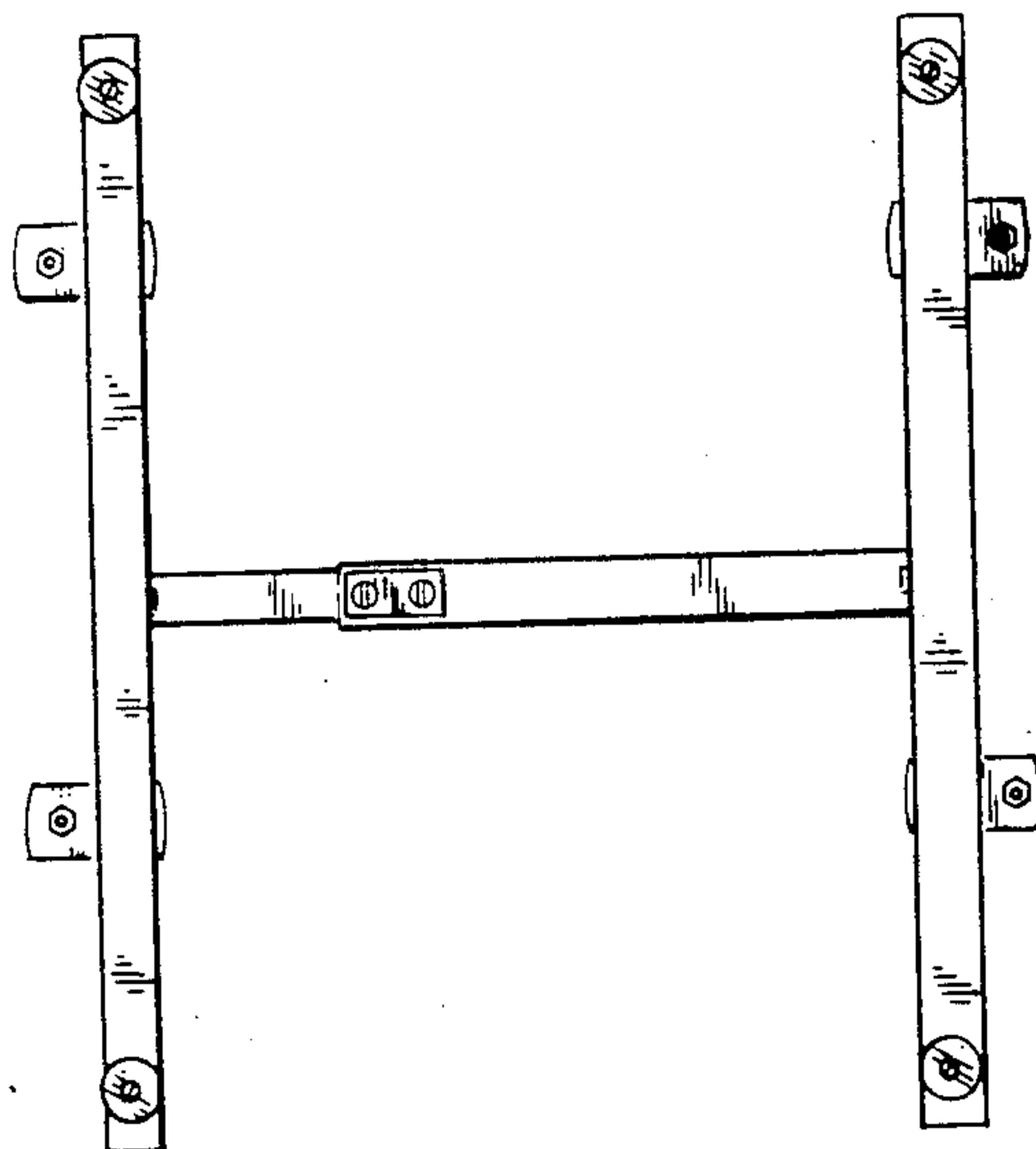


FIG. 4

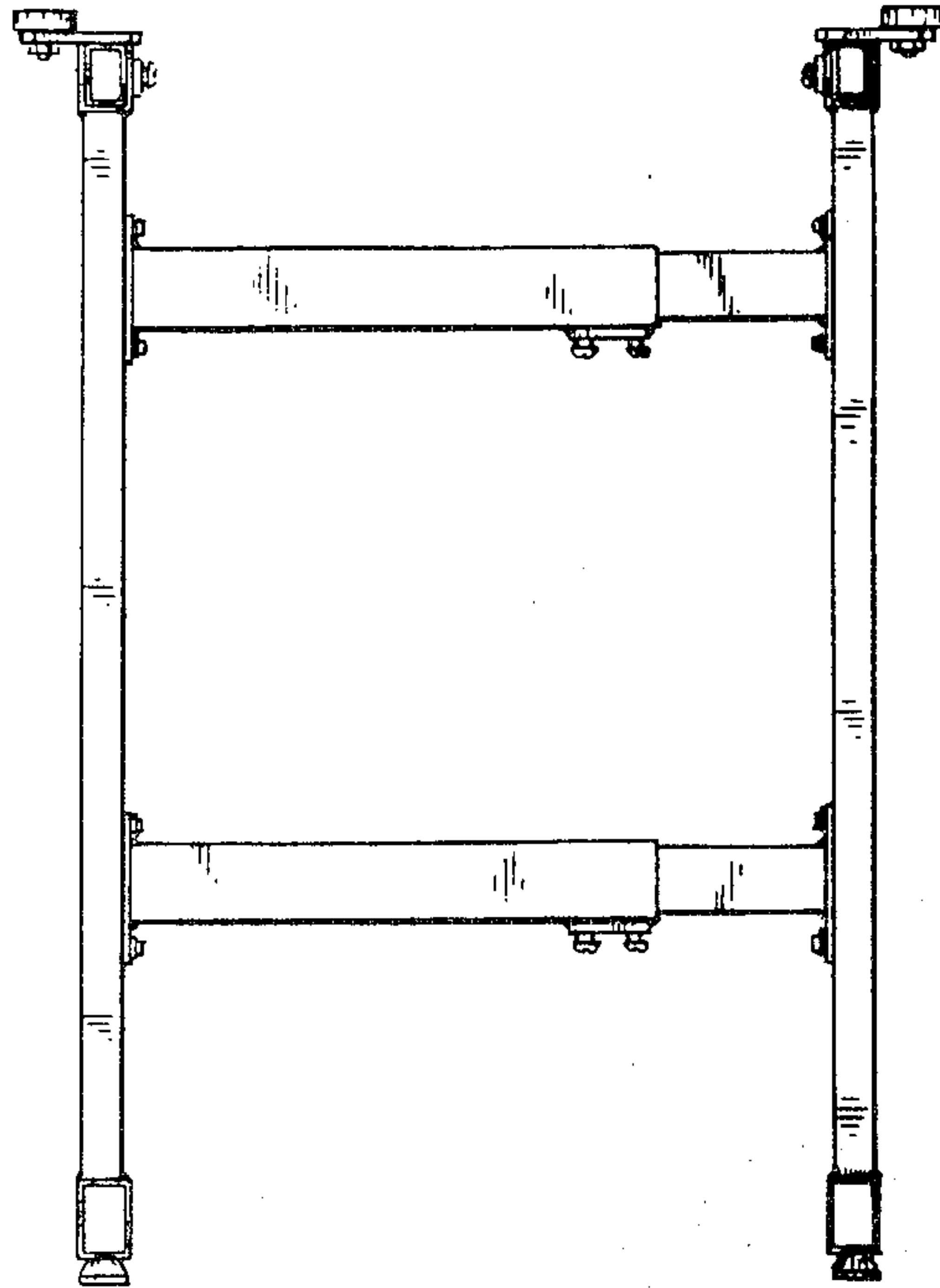


FIG. 5

