

[54] ROTATABLE SHOE RACK

[76] Inventor: James Toyama, 316 Cross St., Woodland, Calif. 95695

[**] Term: 14 Years

[21] Appl. No.: 648,983

[22] Filed: Sep. 10, 1984

[52] U.S. Cl. D6/415; D6/458; D6/460

[58] Field of Search D6/411-415, D6/449, 455, 456, 457, 458, 459, 460, 461; 211/34, 35, 36, 37, 38

[56] References Cited

U.S. PATENT DOCUMENTS

- D. 85,595 11/1931 Pfous D6/460
- D. 174,912 6/1955 Mangin D6/415

- D. 182,356 3/1958 Cohen D6/460 X
- D. 240,102 6/1976 Redler D6/458
- 1,961,870 6/1934 Weston 211/37
- 2,973,867 3/1961 Cohen 211/37
- 4,036,367 7/1977 Stambaugh et al. 211/37

OTHER PUBLICATIONS

Sel-O-Rak ©1961, p. 17, Shoe Rack #SH52S4, left on page.

Primary Examiner—Carmen H. Vales
Attorney, Agent, or Firm—Leonard Bloom

[57] CLAIM

The ornamental design for a rotatable shoe rack, substantially as shown and described.

DESCRIPTION

FIG. 1 is a top front perspective view of a rotatable shoe rack showing my new design; and FIG. 2 is a bottom rear perspective view thereof.

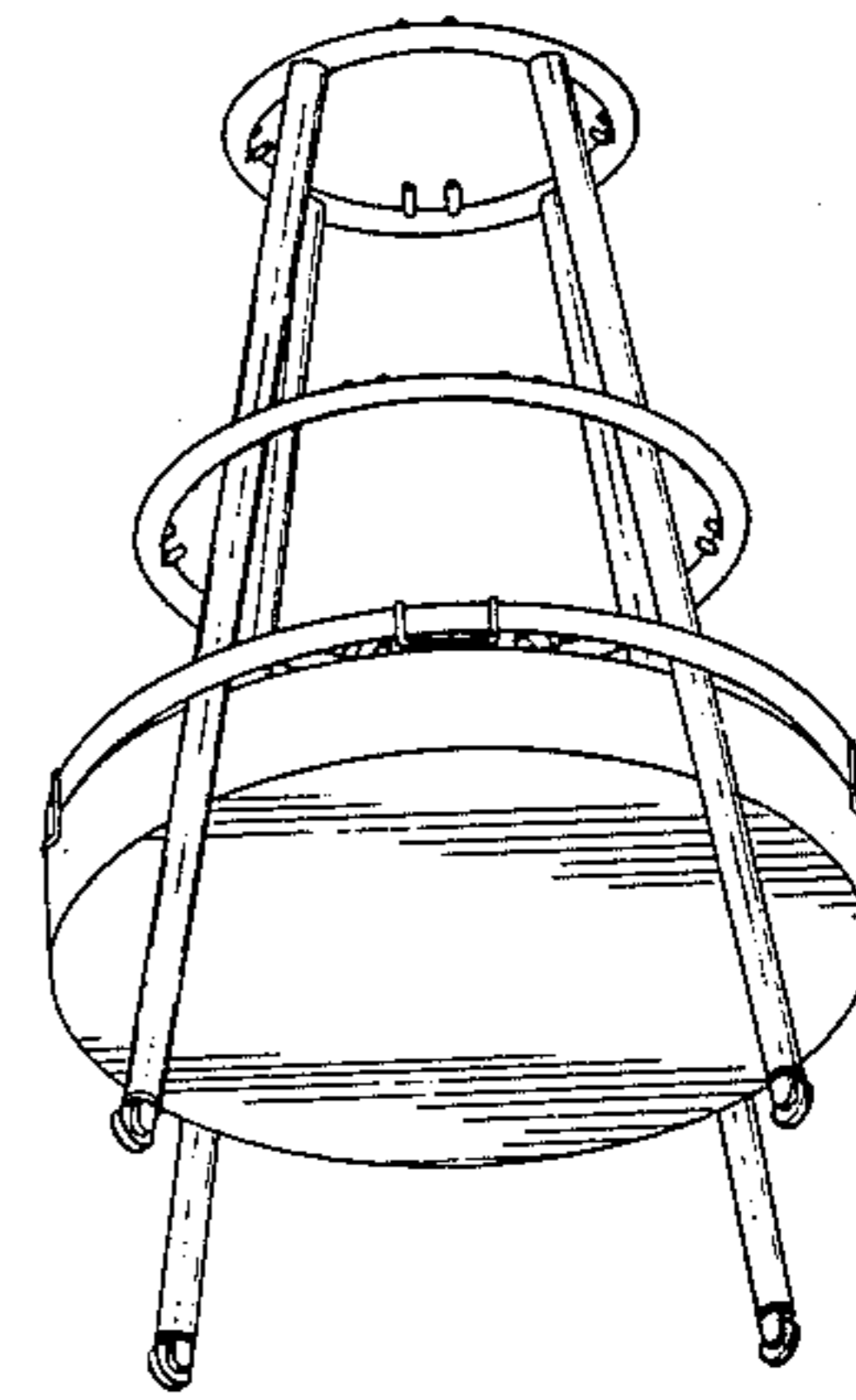
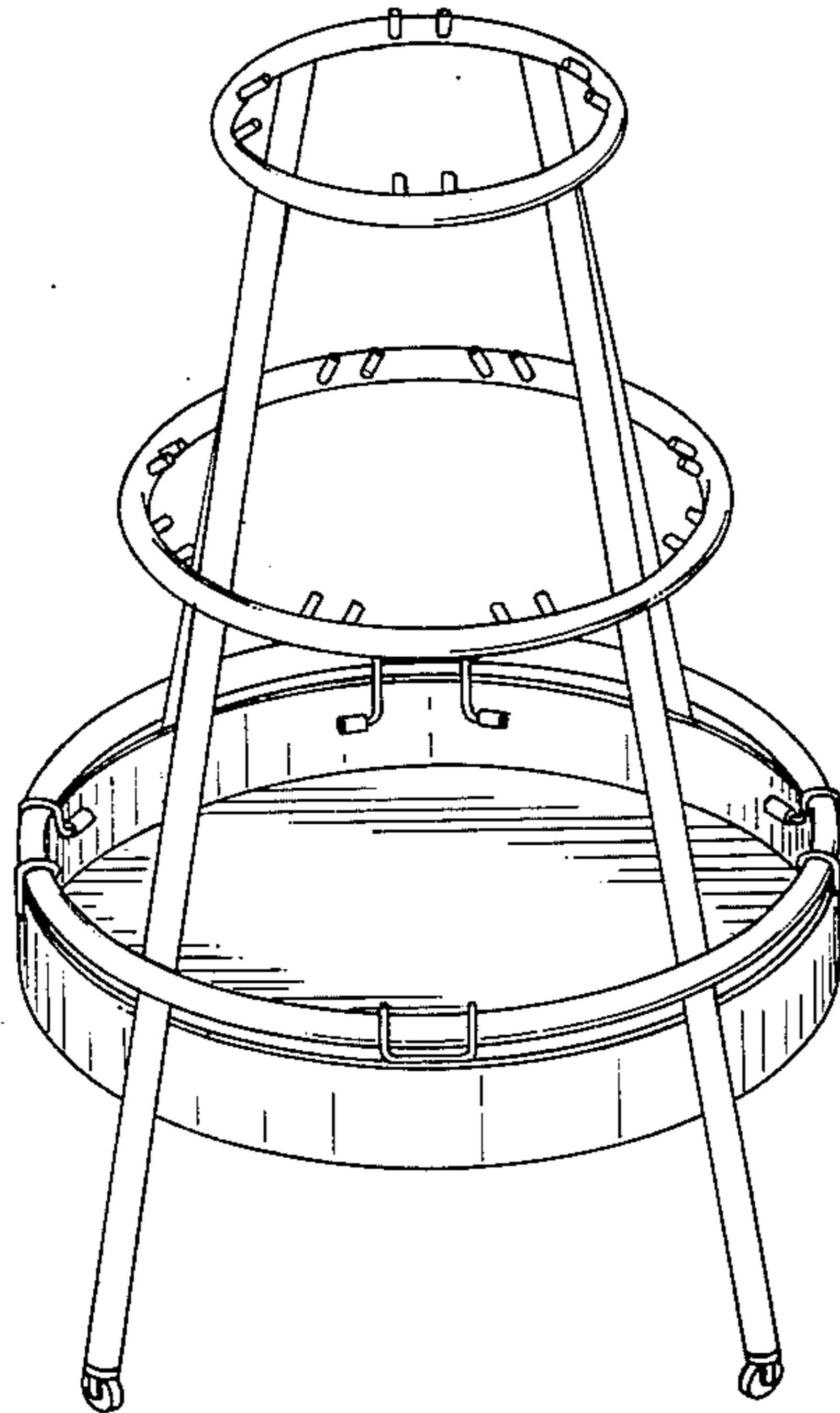


FIG. 1

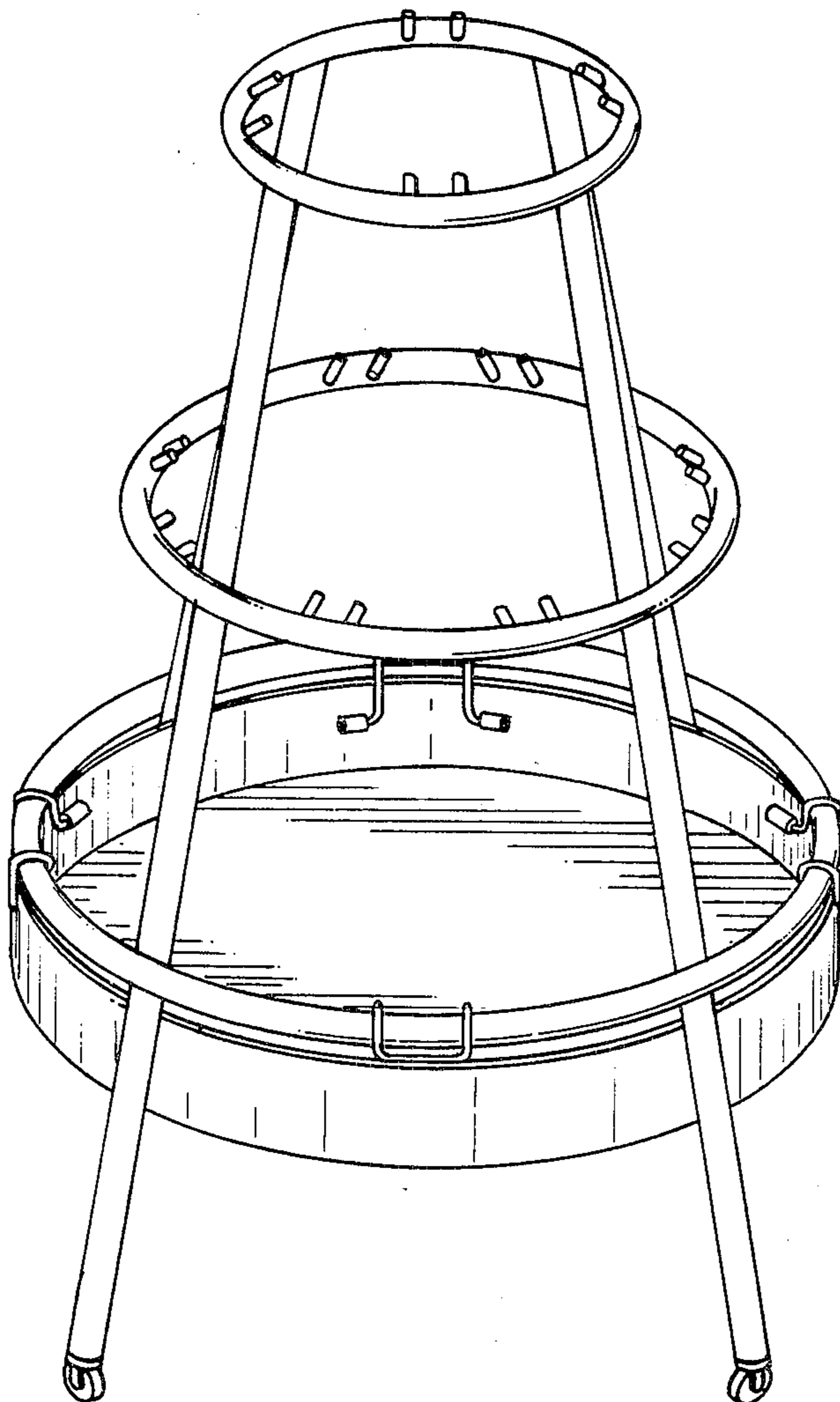


FIG. 2

