

[54] COMBINED BED AND TABLES THEREFOR

[75] Inventor: Paul R. Evans, New Hope, Pa.

[73] Assignee: Design Institute America, Inc.,
Montpelier, Ohio

[**] Term: 14 Years

[21] Appl. No.: 598,825

[22] Filed: Apr. 10, 1984

[52] U.S. Cl. D6/384; D6/336;
D6/383

[58] Field of Search D6/382-395,
D6/503-508, 336; 5/53 R, 93 R, 507, 503, 508,
2 R, 401, 432, 400, 433

[56] References Cited

U.S. PATENT DOCUMENTS

- D. 168,800 2/1953 May D6/384 X
- D. 241,291 9/1976 Offredi D6/384
- D. 246,019 10/1977 Hero et al. D6/384

- D. 280,155 8/1985 Matthias D6/383
- 763,281 6/1904 Hales 5/507 X
- 2,483,920 10/1949 McLean et al. 5/507 X
- 2,661,486 12/1953 Roher 5/401 X
- 4,559,658 12/1985 Cory et al. 5/433

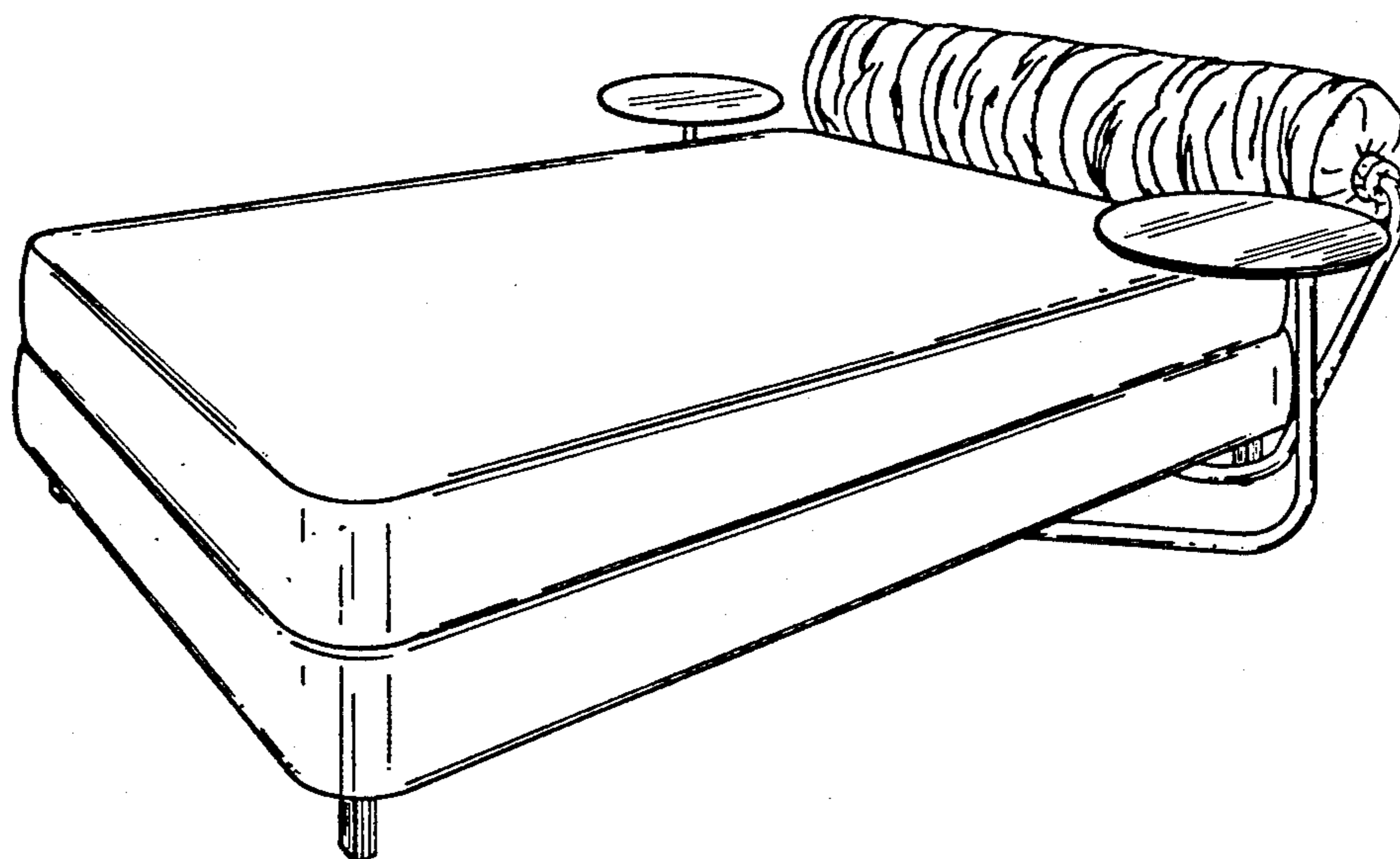
Primary Examiner—Bernard Ansher
Assistant Examiner—Linda Titolo
Attorney, Agent, or Firm—Marshall & Melhorn

[57] CLAIM

The ornamental design for a combined bed and tables therefor, as shown and described.

DESCRIPTION

FIG. 1 is a top front and right side perspective view of a combined bed and tables therefor, embodying my new design;
FIG. 2 is a top plan view thereof;
FIG. 3 is a right side elevational view thereof, the left side view being a mirror image thereof;
FIG. 4 is a front elevational view thereof; and
FIG. 5 is a rear elevational view thereof.



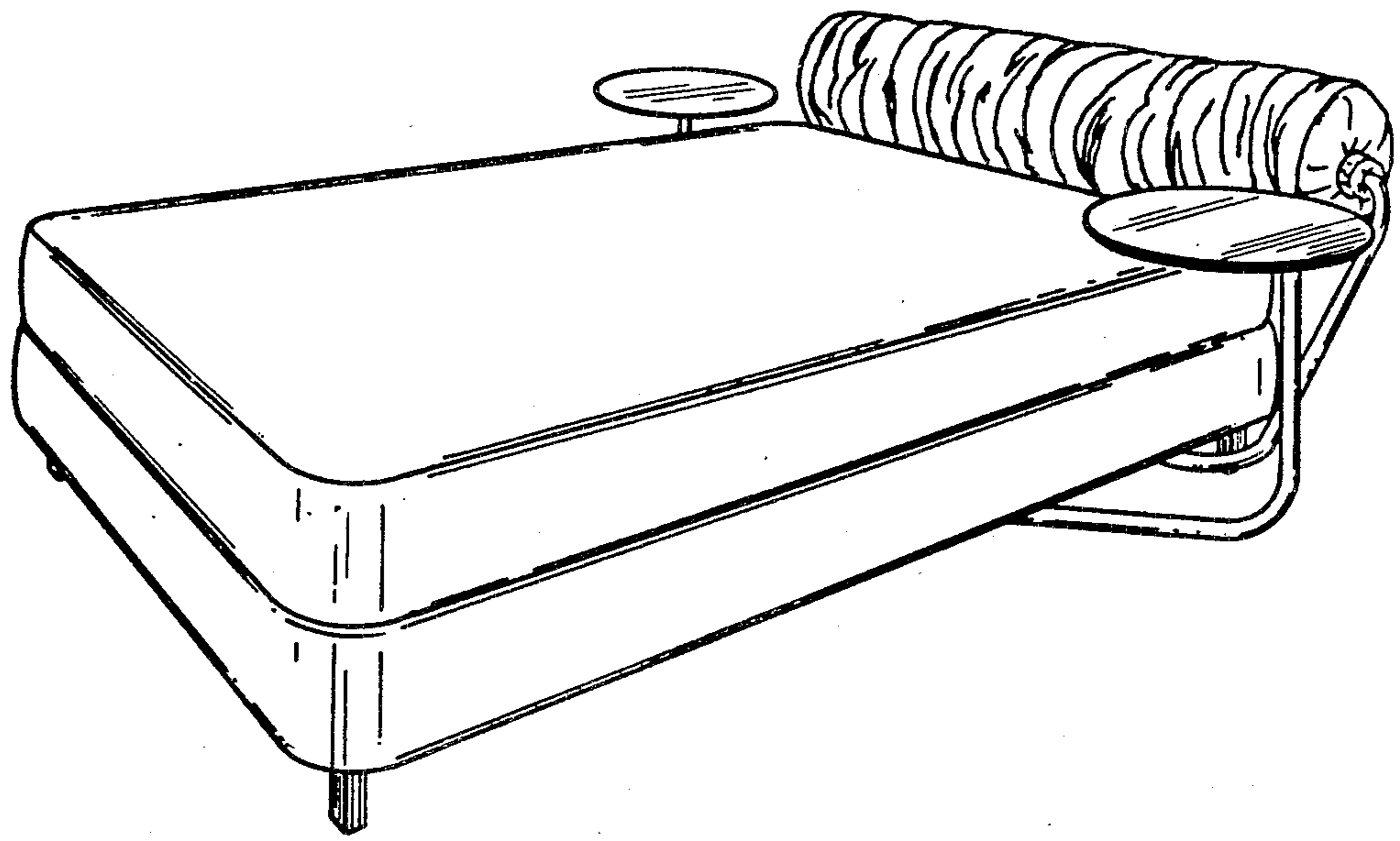


FIG. 1

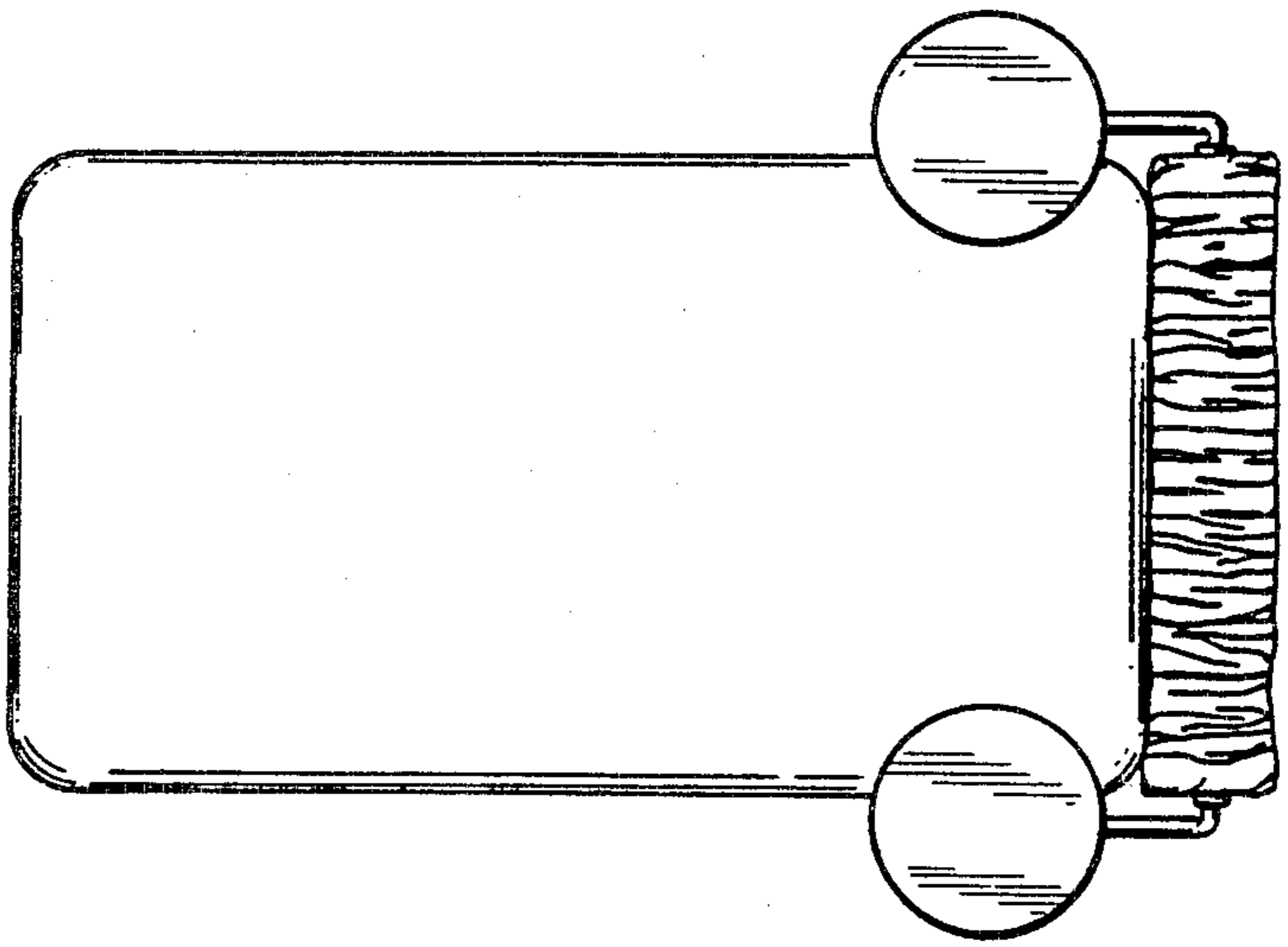


FIG. 2

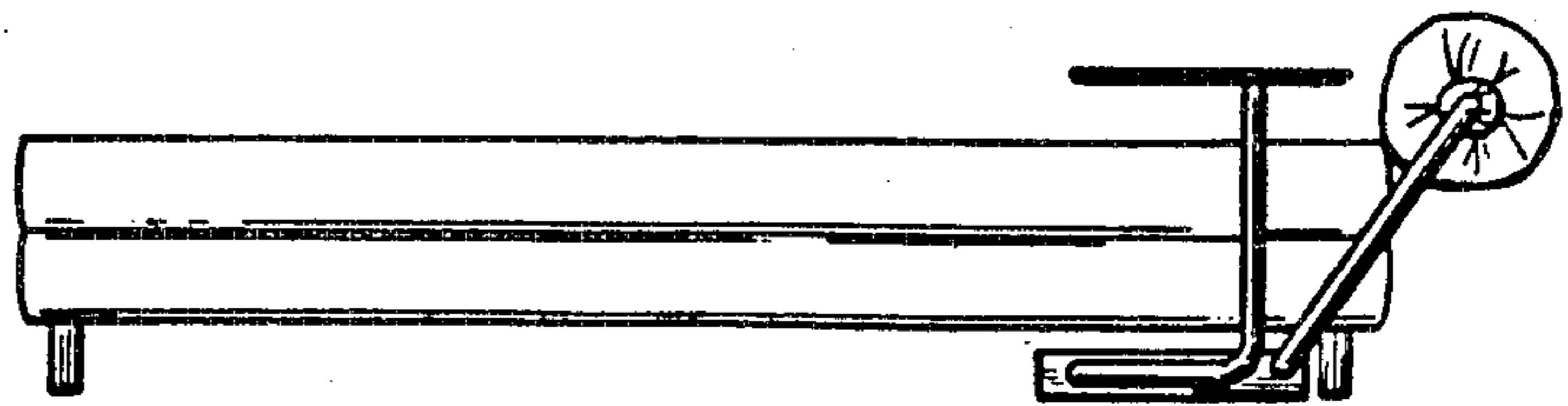


FIG. 3

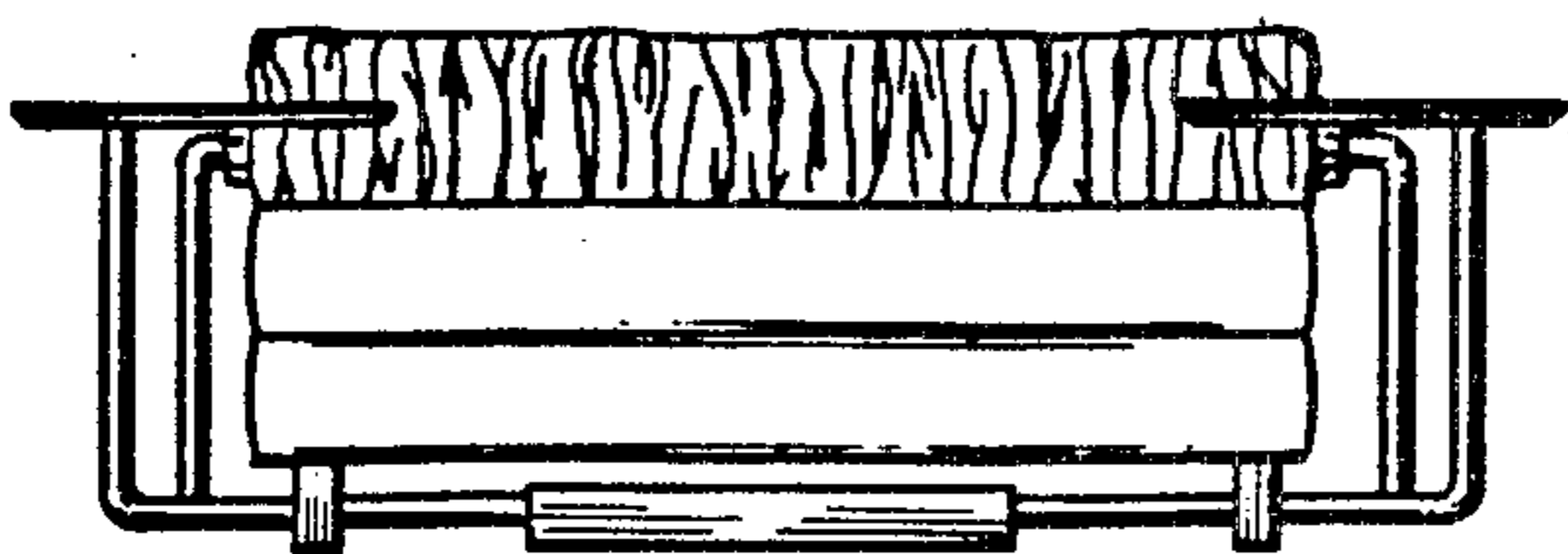


FIG. 4



FIG. 5