

[54] MASSAGING CHAIR

[75] Inventor: Yoshikiyo Yamasaki, Osaka, Japan

[73] Assignees: Technika Co., Ltd.; Japan Health Co., Ltd.; Fuji Medical Instruments Mfg. Co., Ltd., all of Osaka, Japan

[**] Term: 14 Years

[21] Appl. No.: 652,332

[22] Filed: Sep. 19, 1984

[52] U.S. Cl. D6/360; D6/334; D6/367

[58] Field of Search D6/334, 367, 368, 371, D6/380, 381, 360, 361; 297/311, 313, 353, 354, 355

[56] References Cited

U.S. PATENT DOCUMENTS

- D. 173,625 12/1954 Maurer D6/360
- D. 222,832 1/1972 Lax D6/360 X
- D. 228,164 8/1973 Long D6/334

- D. 235,284 6/1975 Gill D6/334
- D. 248,132 6/1978 Long D6/334
- D. 259,678 6/1981 Long D6/334

Primary Examiner—Bruce W. Dunkins
Attorney, Agent, or Firm—Koda and Androlia

[57] CLAIM

The ornamental design for a massaging chair, as substantially shown and described.

DESCRIPTION

FIG. 1 is a front elevational view of a massaging chair showing my new design;
 FIG. 2 is a right side elevational view thereof;
 FIG. 3 is a rear elevational view thereof;
 FIG. 4 is a left side elevational view thereof;
 FIG. 5 is a top plan view thereof;
 FIG. 6 is a bottom plan view thereof;
 FIG. 7 is a front perspective view thereof;
 FIG. 8 is a front perspective view thereof with the back reclined and the footrest raised; and
 FIG. 9 is a side view thereof with the back reclined and the footrest raised.

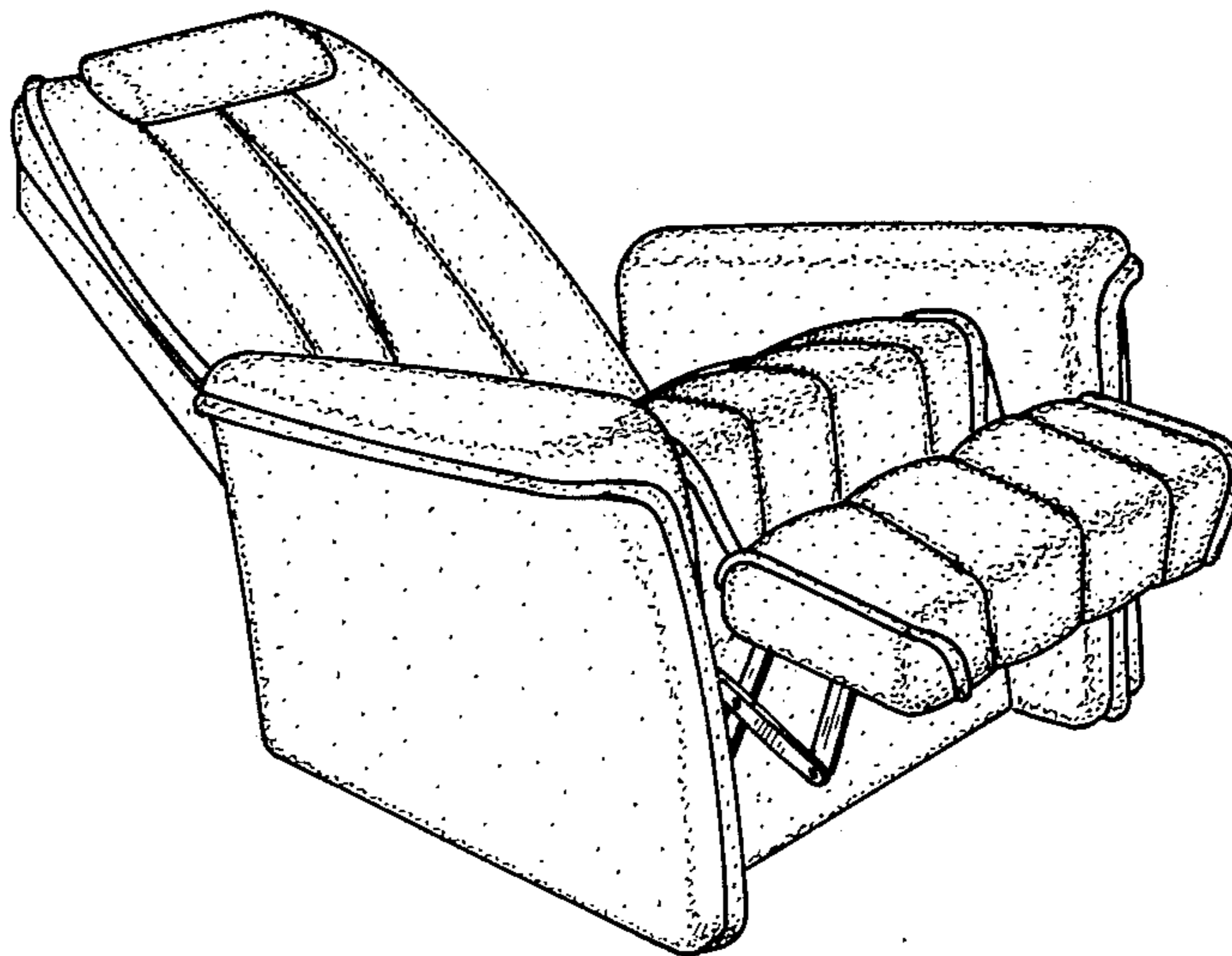


FIG. 1

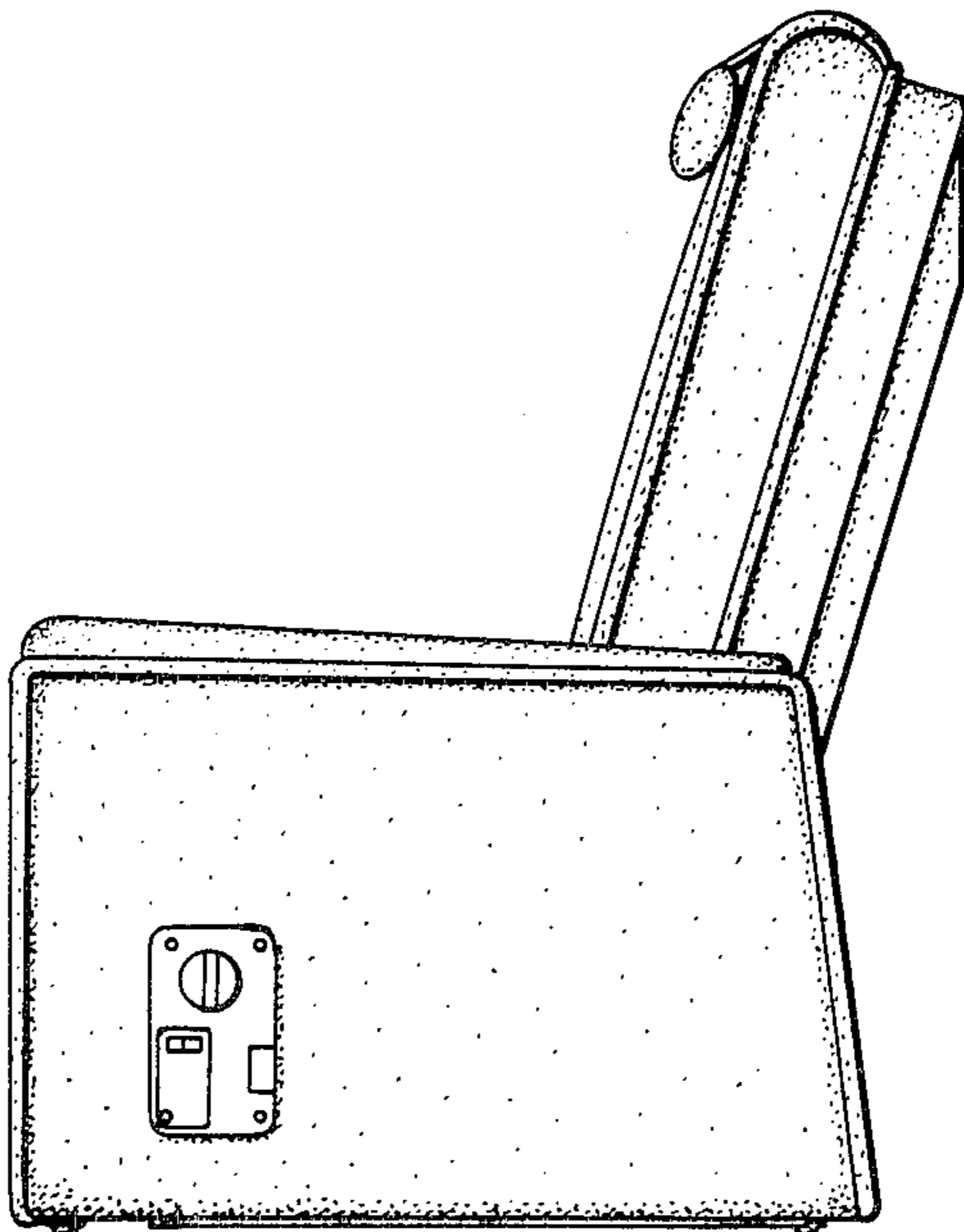
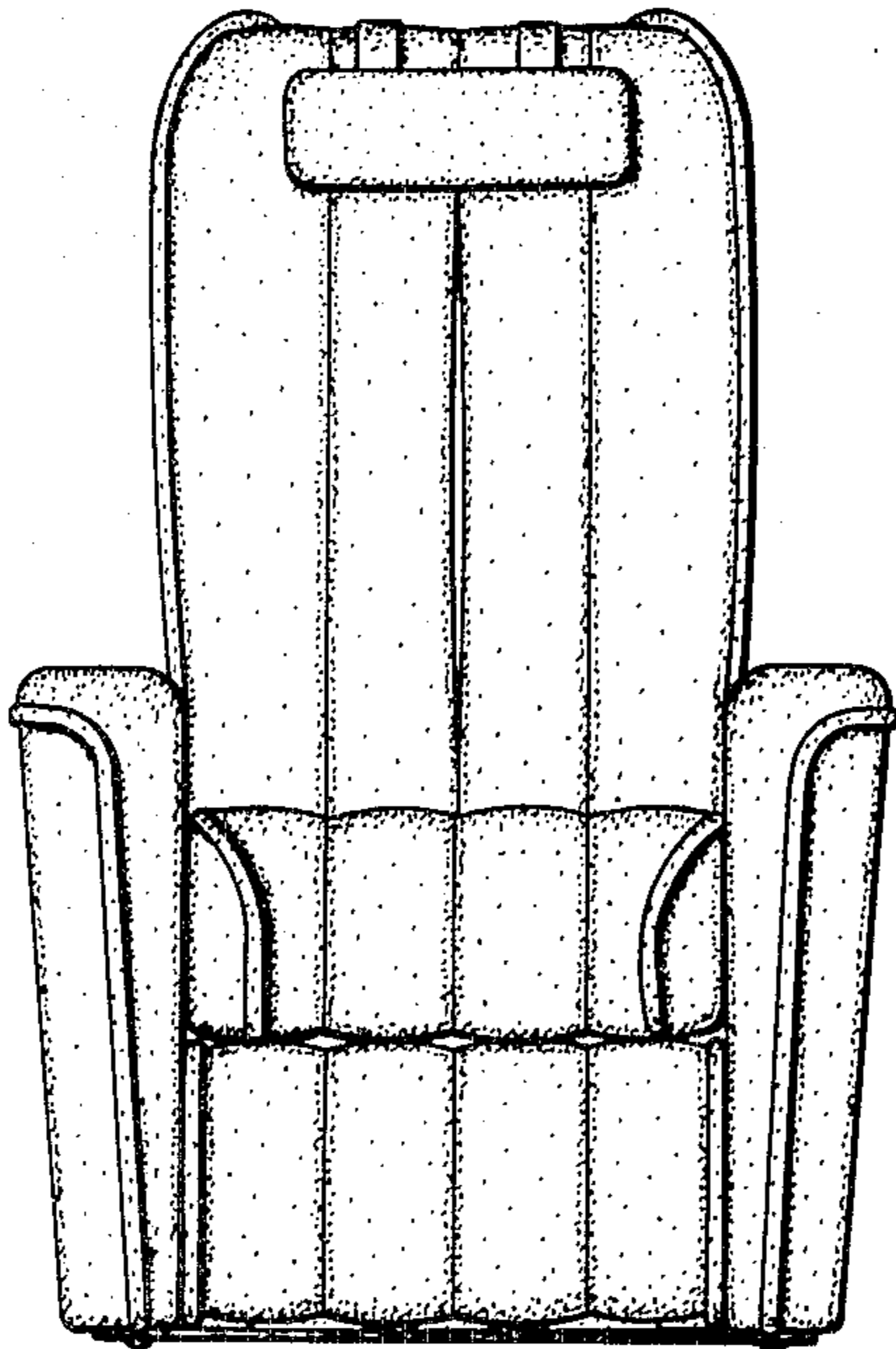


FIG. 2

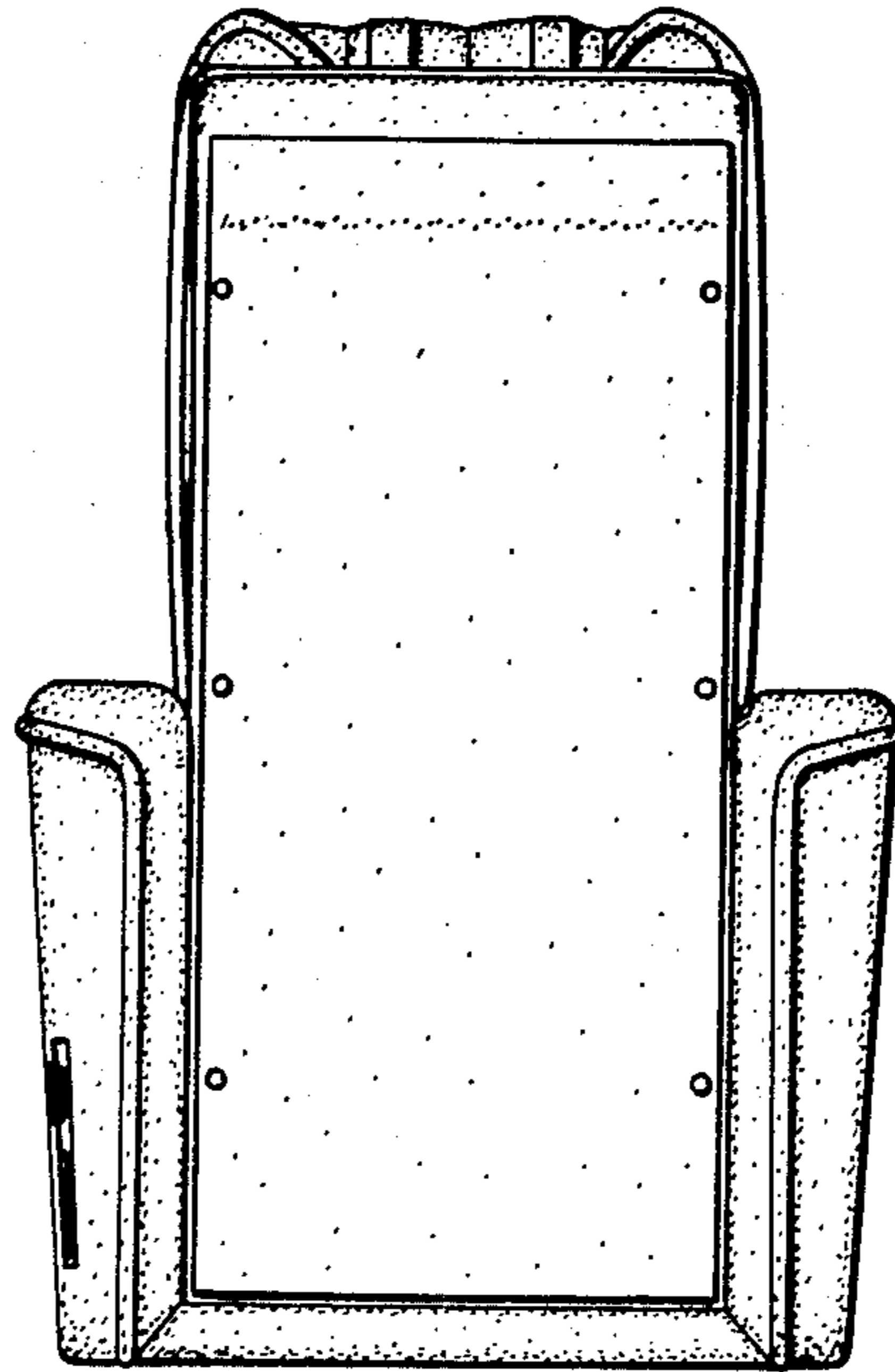


FIG. 3

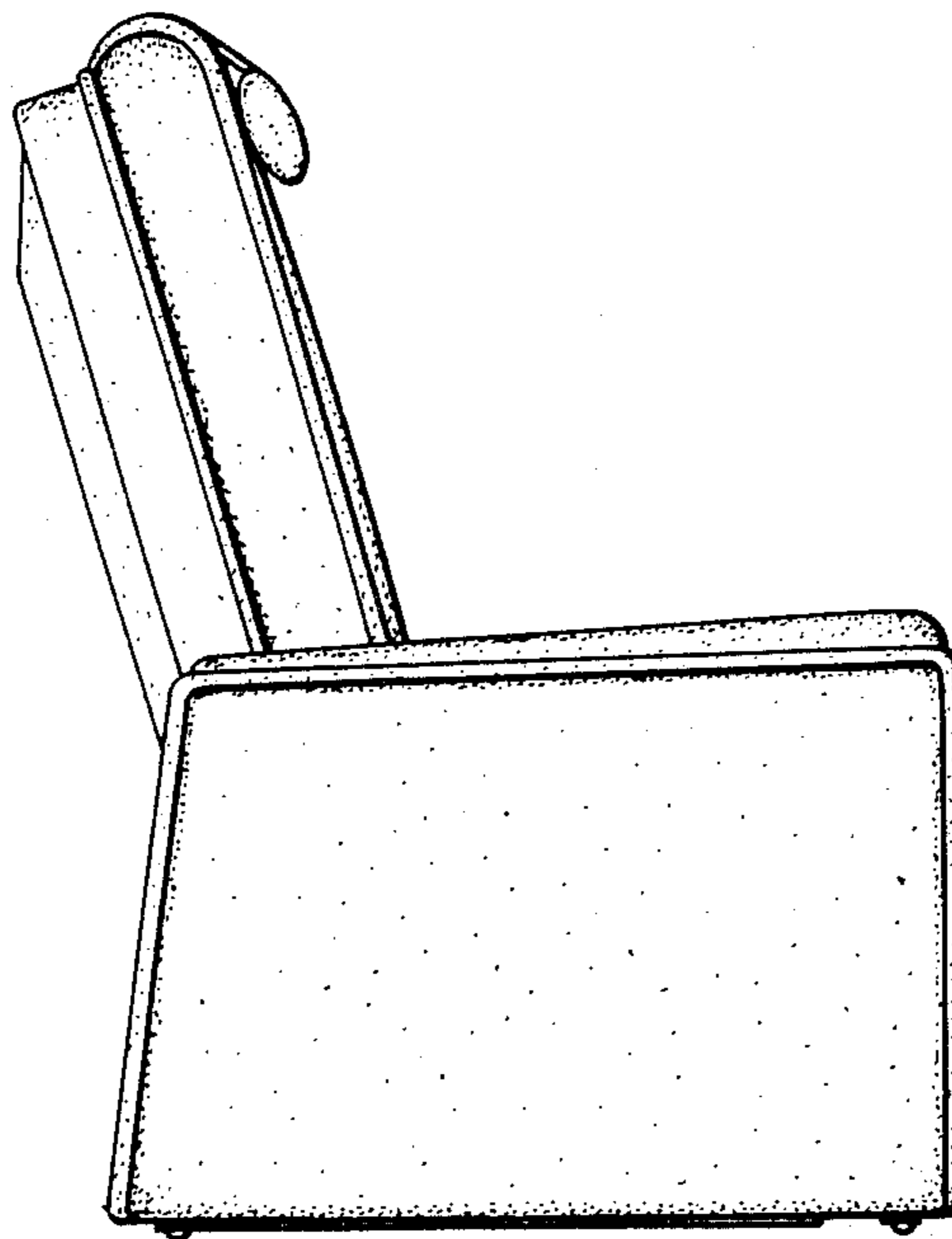


FIG. 4

FIG. 5

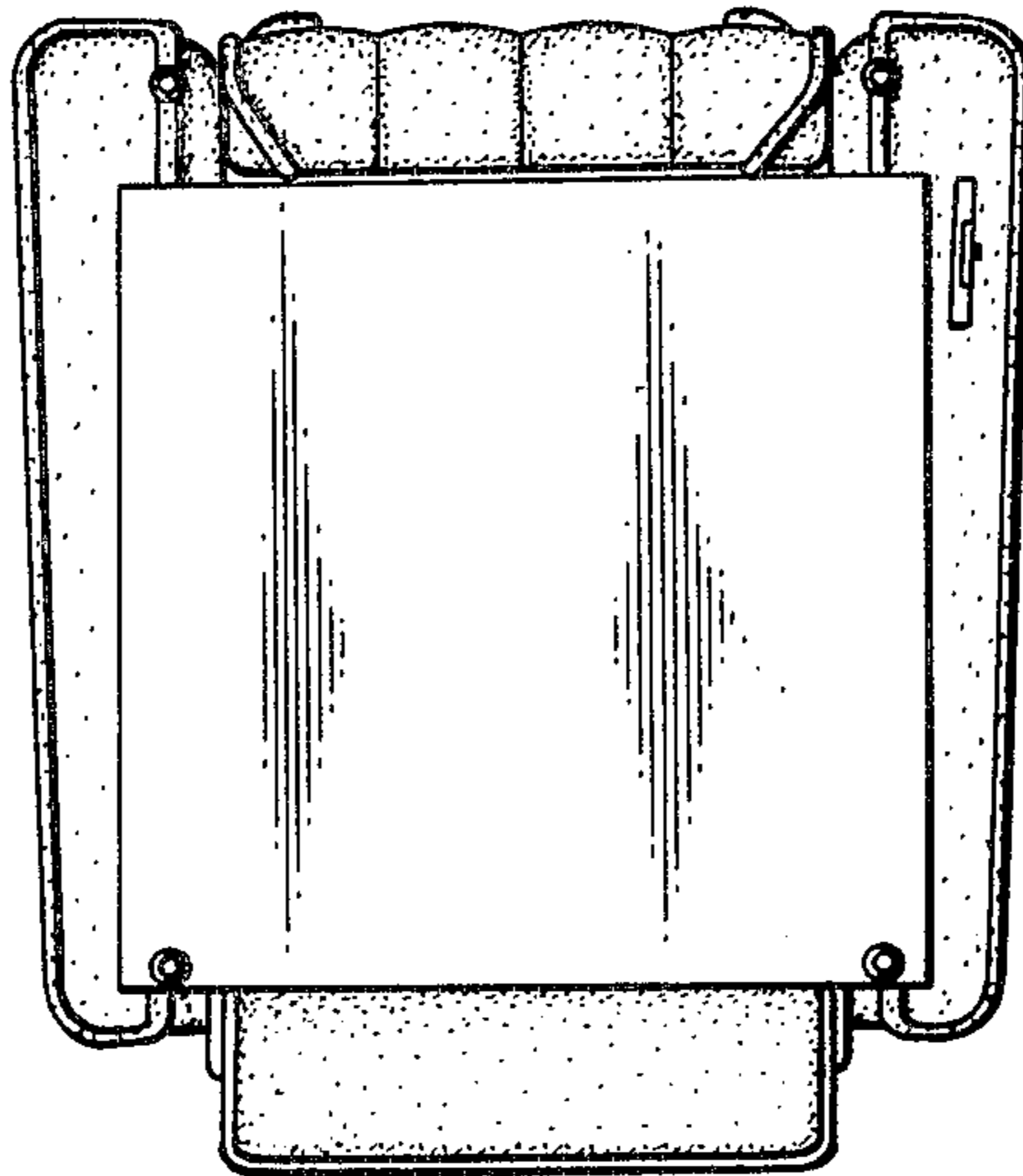
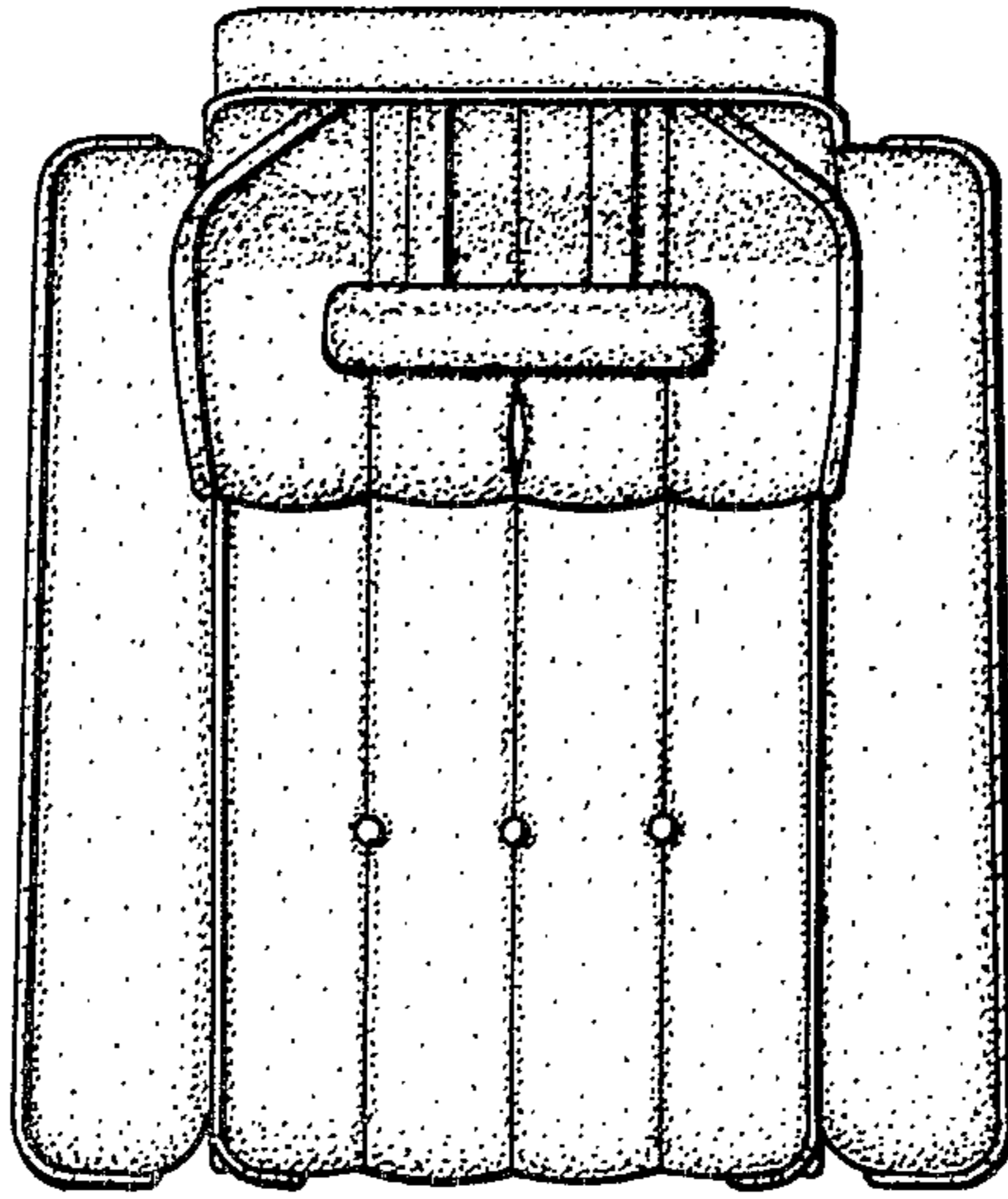


FIG. 6

FIG. 7

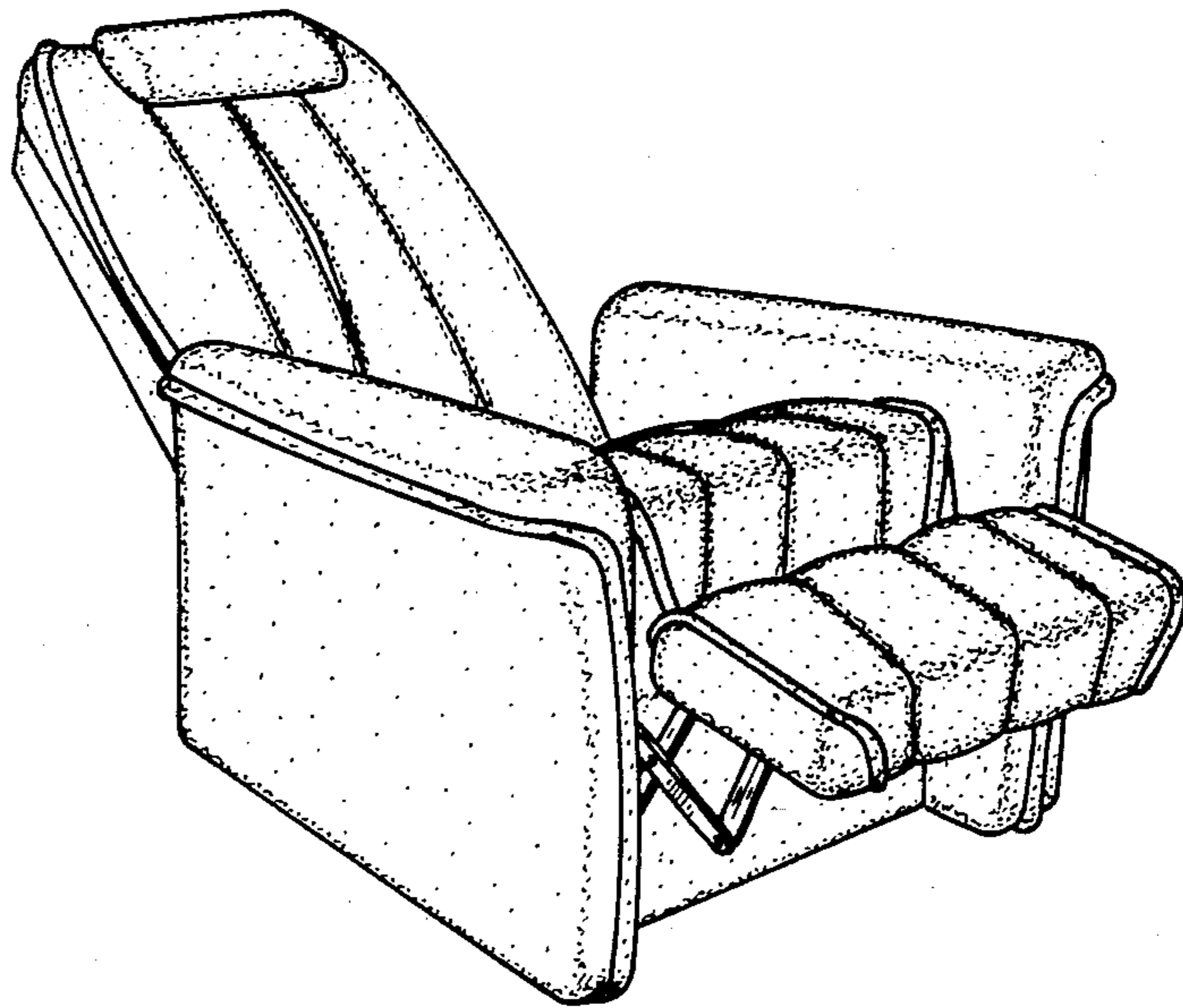
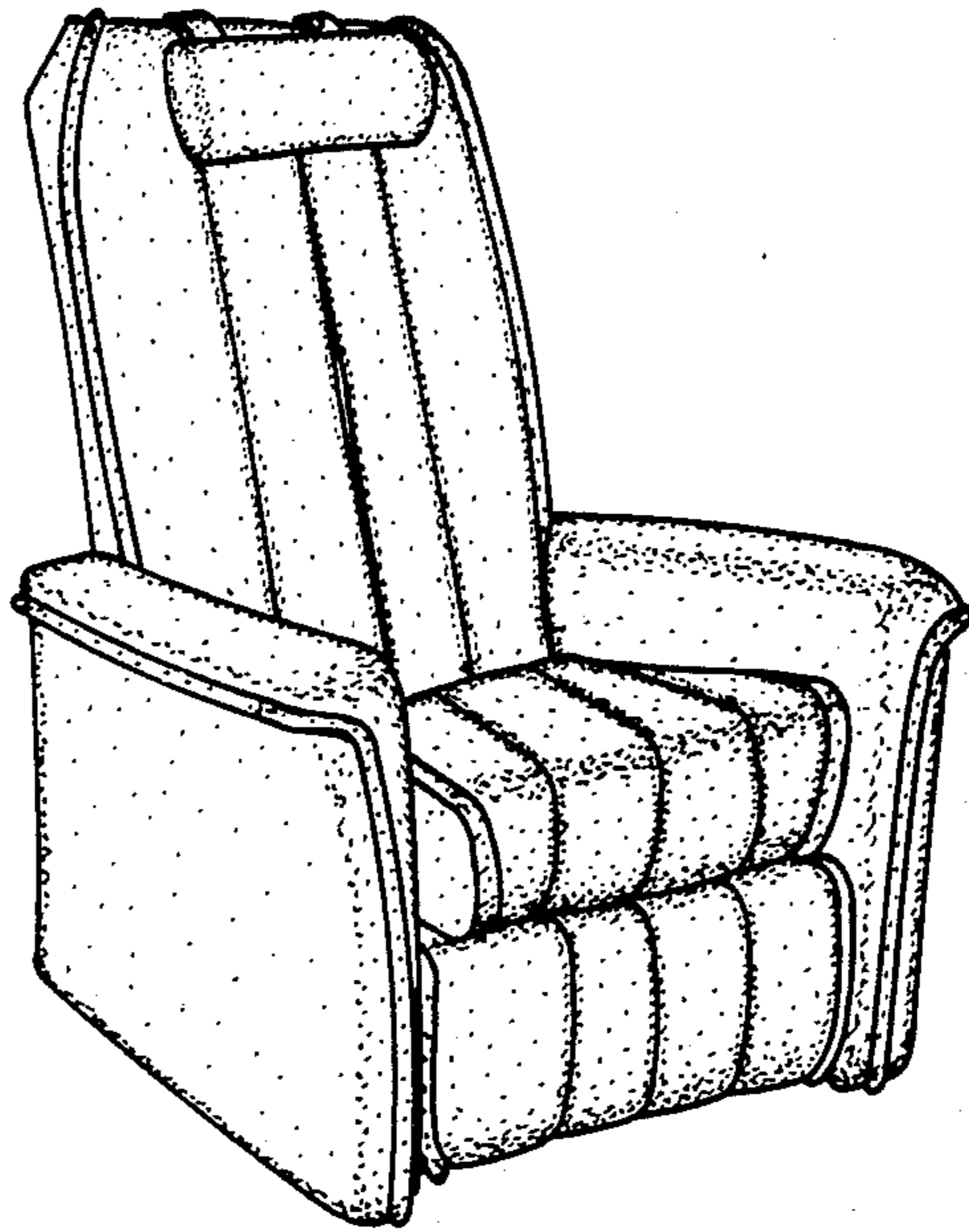


FIG. 8

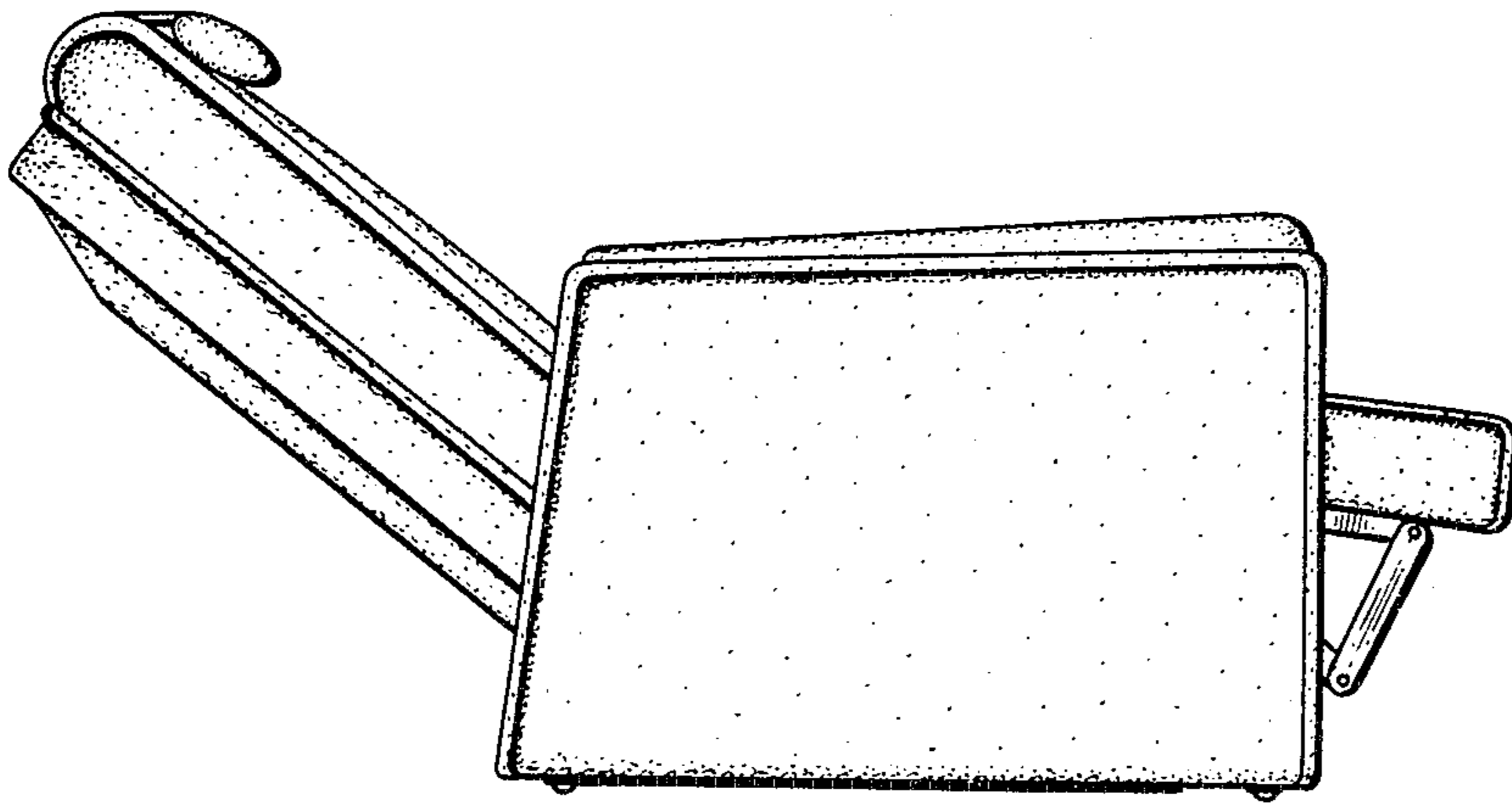


FIG. 9