

[54] COIN SORTING BANK

[75] Inventor: Yiu-Kwong Wan, Kowloon, Hong Kong

[73] Assignee: Chan Lam, Kowloon, Hong Kong

[**] Term: 14 Years

[21] Appl. No.: 593,098

[22] Filed: Mar. 26, 1984

[30] Foreign Application Priority Data

Feb. 1, 1984 [GB] United Kingdom 1017611

[52] U.S. Cl. D99/36

[58] Field of Search D99/28, 35, 36, 34; 133/1 A, 3 R, 8 A, 3 C-3 E; 232/4 R, 4 D, 5; 446/8-10

[56] References Cited

U.S. PATENT DOCUMENTS

D. 270,868	10/1983	Spirk, Jr. et al.	D99/35
D. 282,115	1/1986	Nottingham et al.	D99/36
2,606,088	8/1952	Leaf	446/8 X
4,495,959	1/1985	Farber	133/1 A

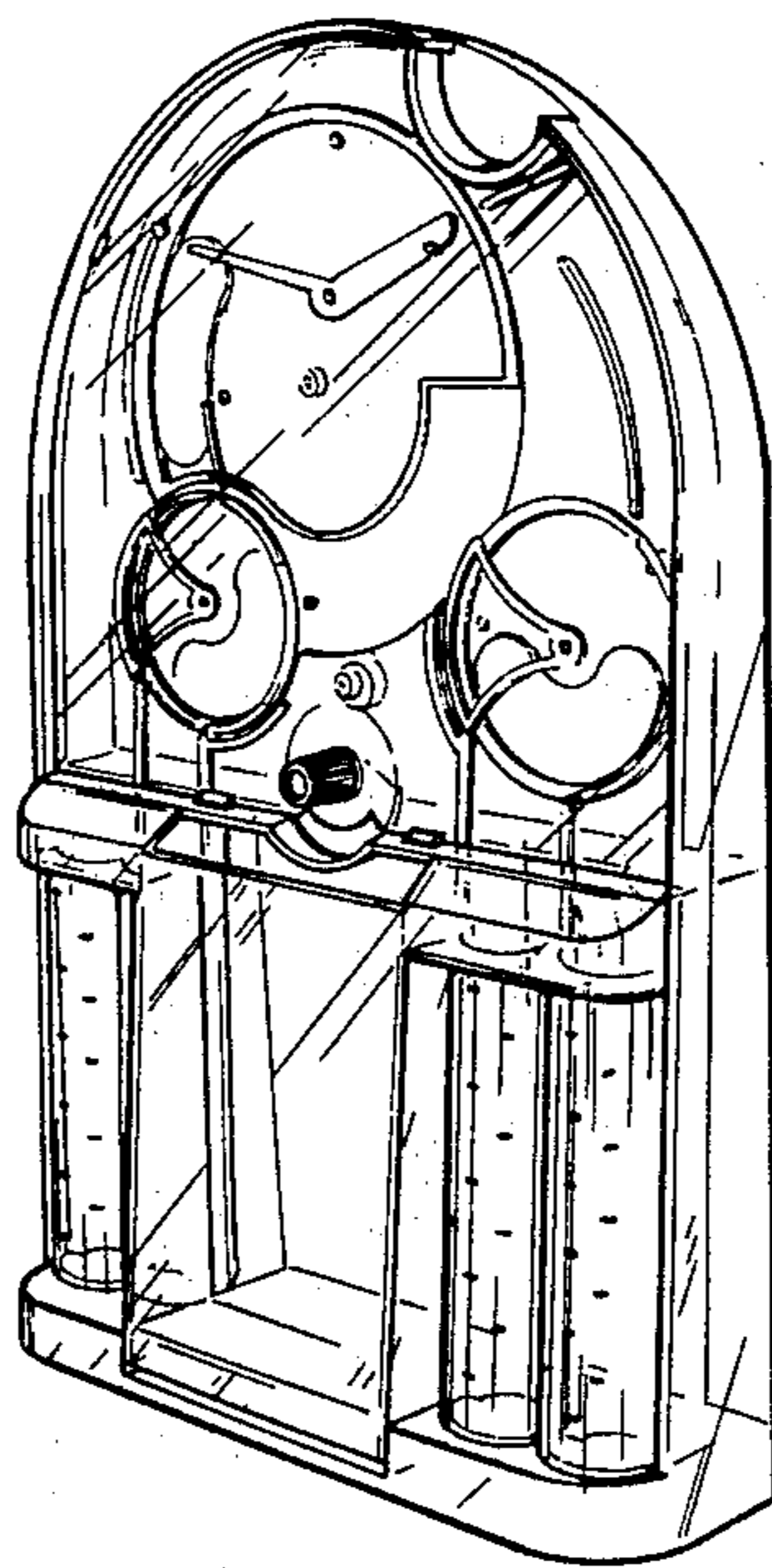
Primary Examiner—Louis S. Zarfes
Attorney, Agent, or Firm—Gottlieb, Rackman & Reisman

[57] CLAIM

The ornamental design for a coin sorting bank, as shown and described.

DESCRIPTION

FIG. 1 is a front perspective view of a coin sorting bank showing my new design;
FIG. 2 is a front elevational view;
FIG. 3 is a rear elevational view; and
FIG. 4 is a right side elevational view.



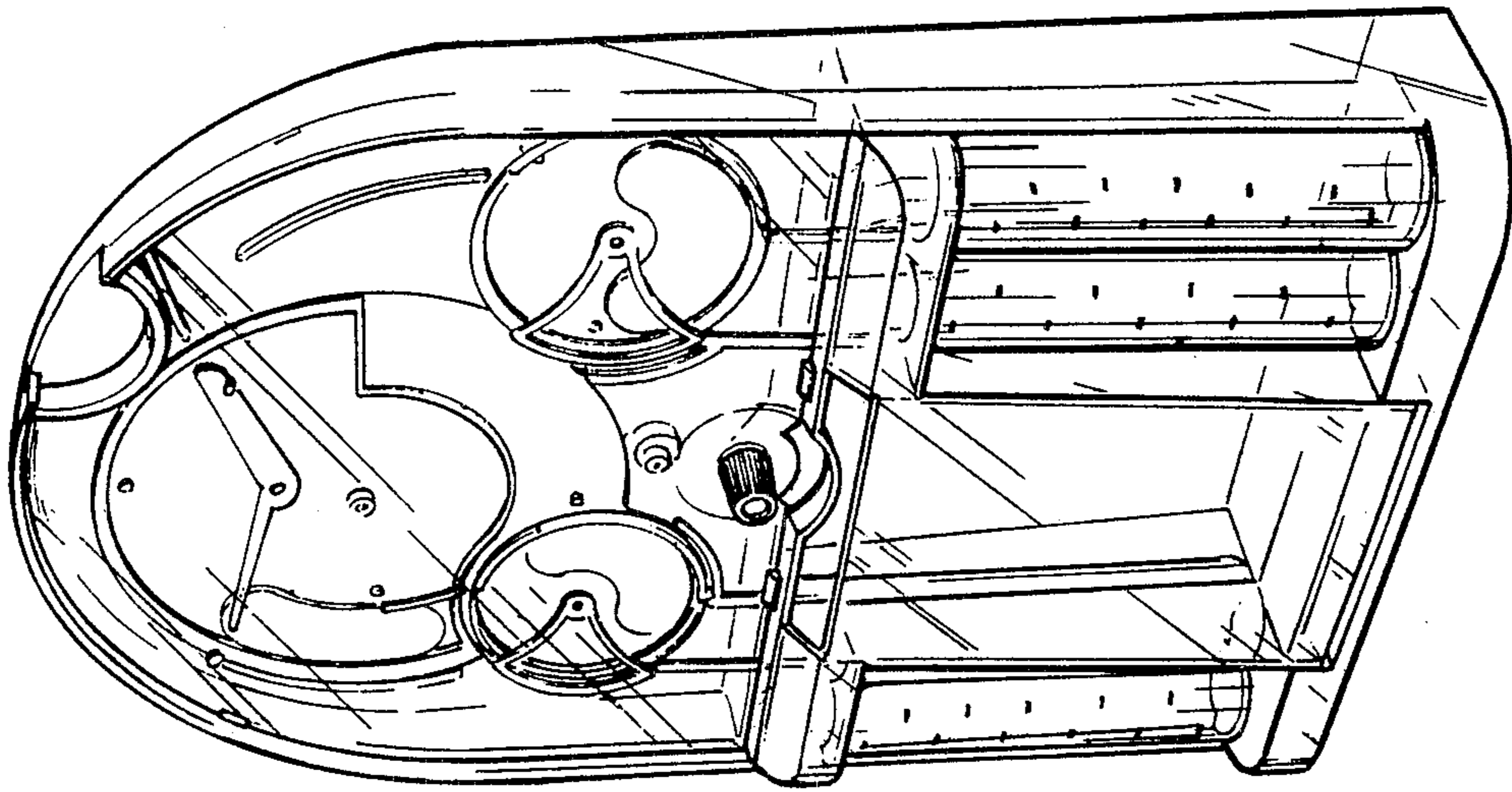


FIG. 1

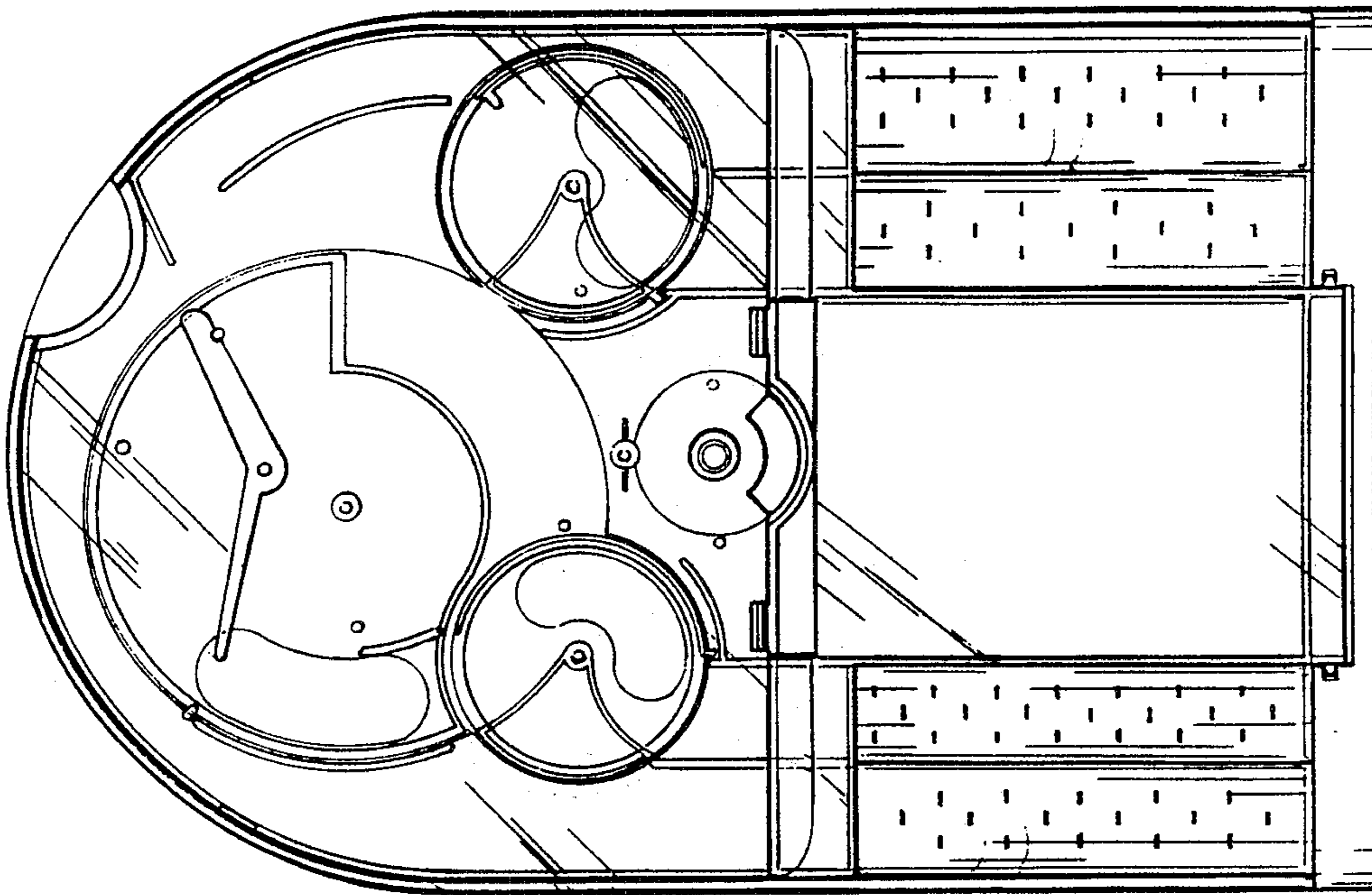


FIG. 2

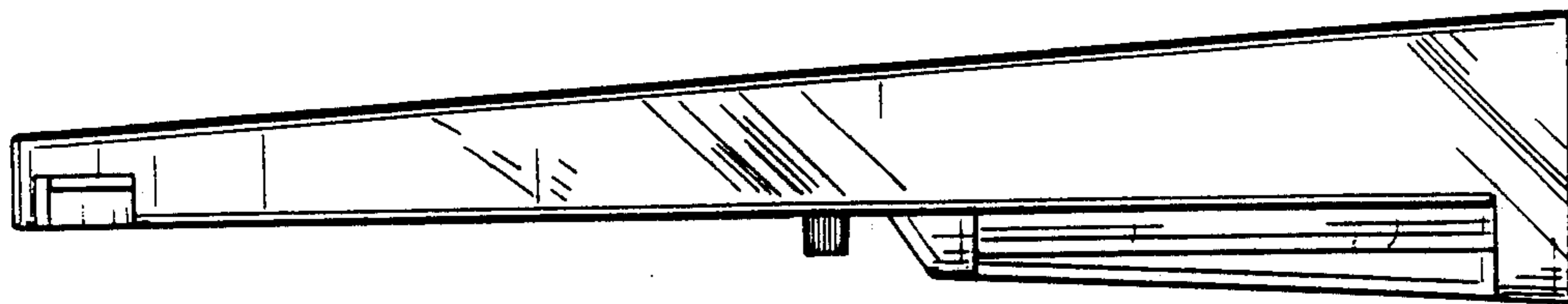


FIG. 4

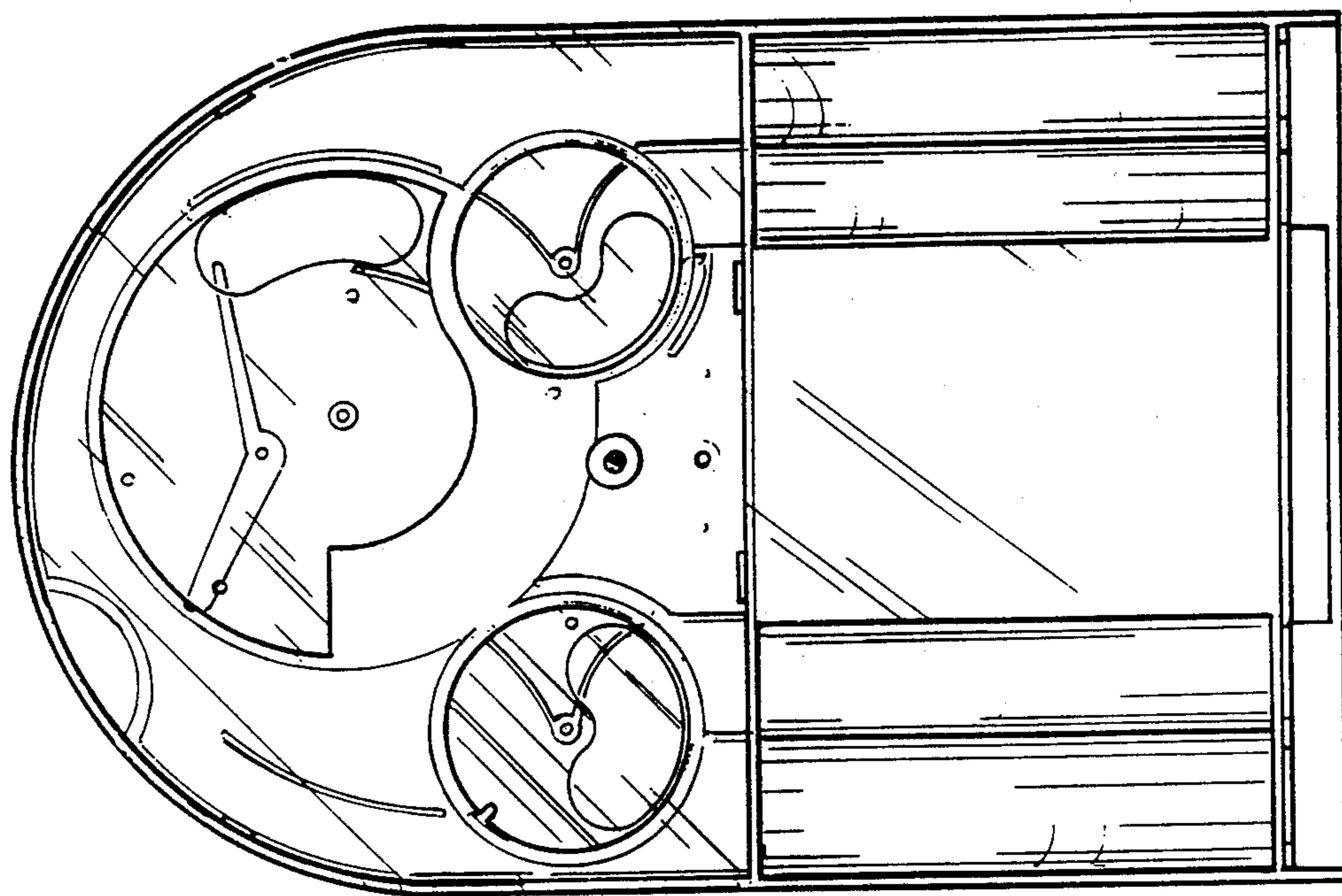


FIG. 3