

[54] LIFTING APPLIANCE

[75] Inventor: Lennart Järnum, Helsingborg, Sweden

[73] Assignee: AB Jarnkonstruktioner, Helsingborg, Sweden

[**] Term: 14 Years

[21] Appl. No.: 608,773

[22] Filed: May 10, 1984

[30] Foreign Application Priority Data

Nov. 11, 1983 [SE] Sweden 83-2965

[52] U.S. Cl. D34/28

[58] Field of Search D34/34; 182/2, 63

[56] References Cited

U.S. PATENT DOCUMENTS

- D. 262,279 12/1981 Rallis et al. D34/34
- 3,176,792 4/1965 Olson 182/2
- 3,584,705 6/1971 Ruegg 182/2
- 3,610,367 10/1971 Atchey 182/2

FOREIGN PATENT DOCUMENTS

- 865549 4/1961 United Kingdom 182/2
- 1389220 4/1975 United Kingdom 182/2

OTHER PUBLICATIONS

LPI brochure, Fully Pneumatic Manlift, (upper right).

Primary Examiner—James M. Gandy
Attorney, Agent, or Firm—Merchant, Gould, Smith, Edell, Welter & Schmidt

[57] CLAIM

The ornamental design for a lifting appliance, as shown and described.

DESCRIPTION

FIG. 1 is a rear perspective view of a lifting appliance showing my new design;
 FIG. 2 is a side elevational view of FIG. 1;
 FIG. 3 is a front elevational view of FIG. 1;
 FIG. 4 is a rear elevational view of FIG. 1;
 FIG. 5 is a rear perspective view of a lifting appliance showing a second embodiment of my new design;
 FIG. 6 is a side elevational view of FIG. 5;
 FIG. 7 is a front elevational view of FIG. 5; and
 FIG. 8 is a rear elevational view of FIG. 5.

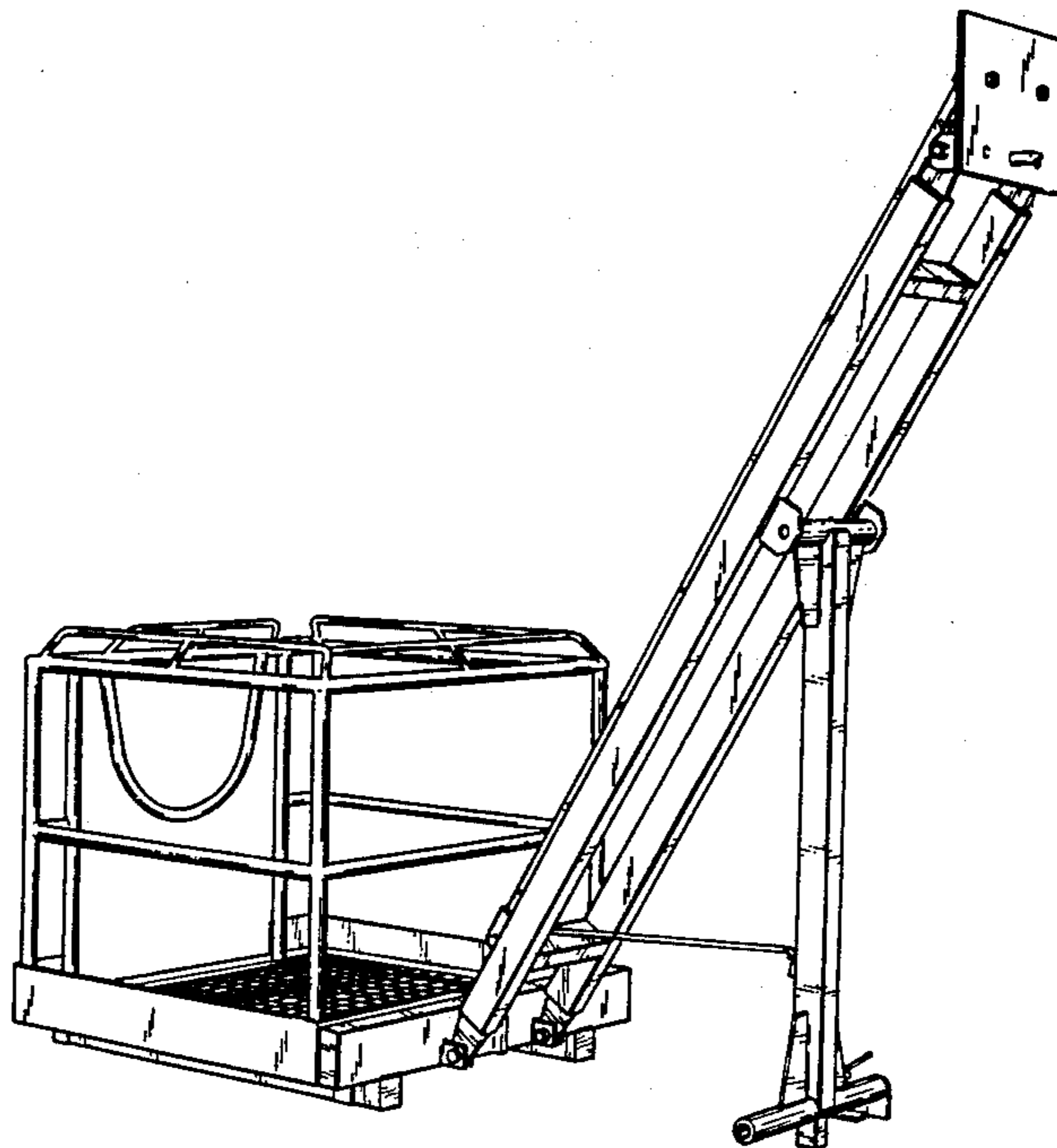


FIG. 1

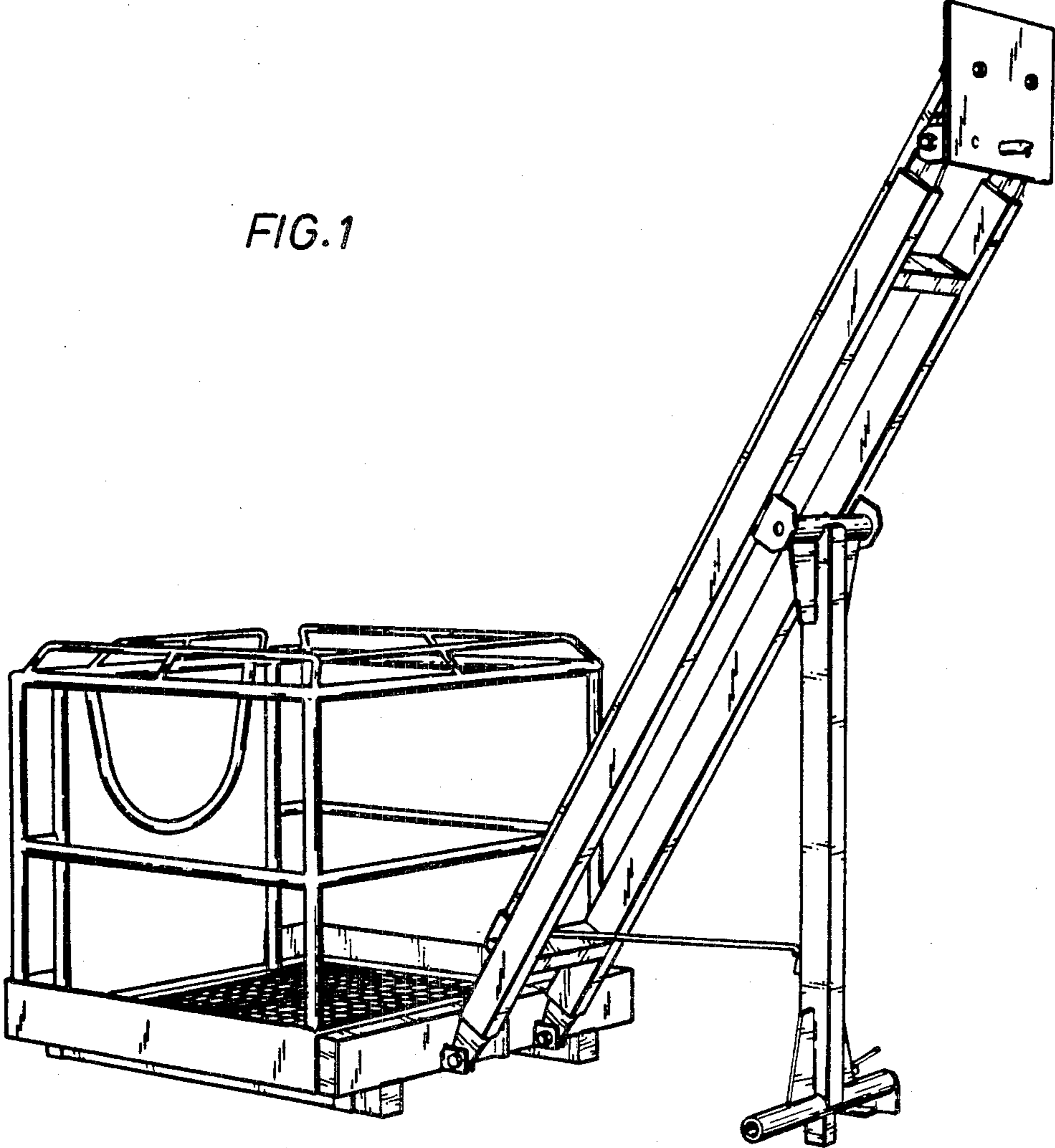


FIG. 2

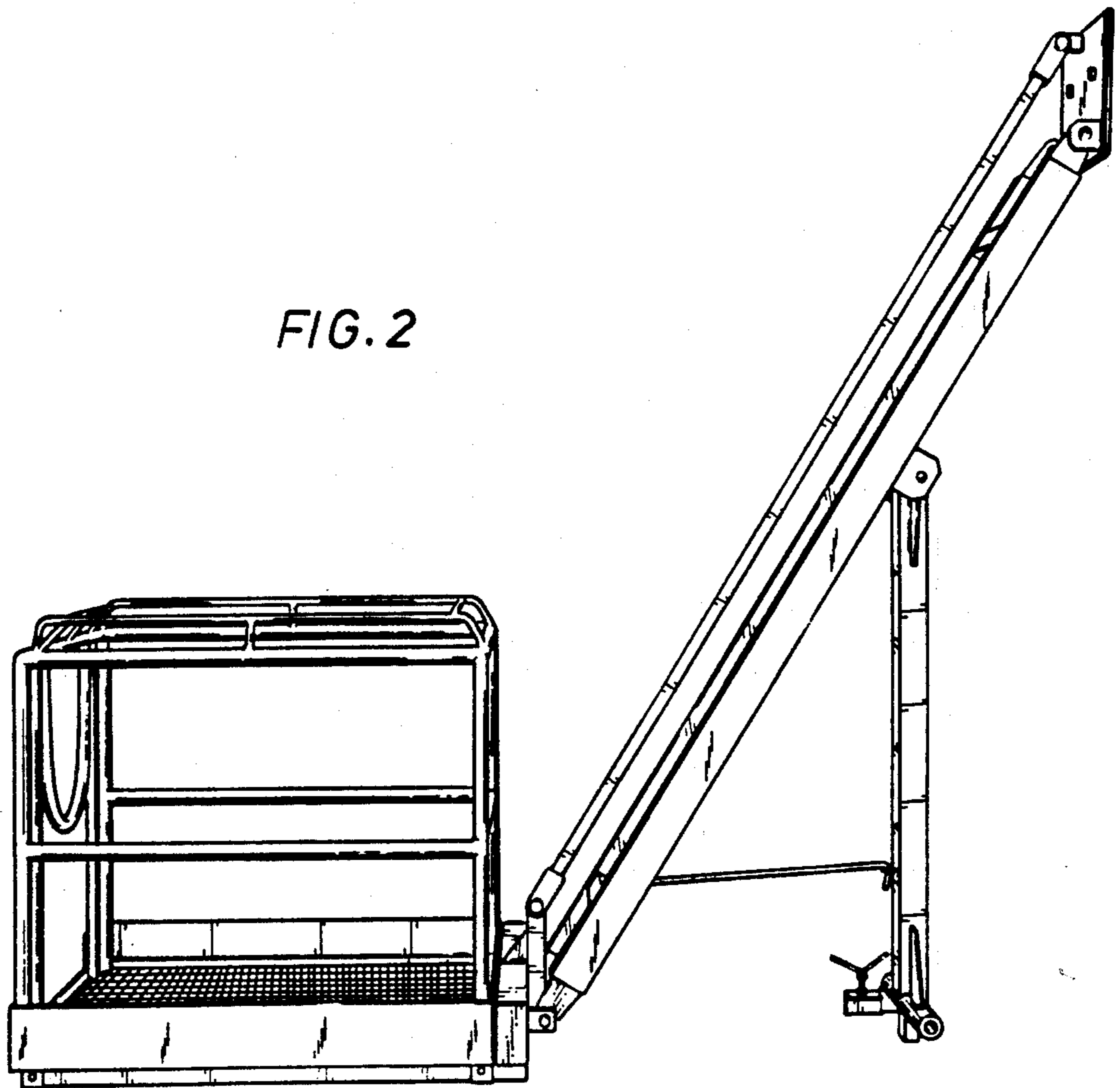


FIG. 3

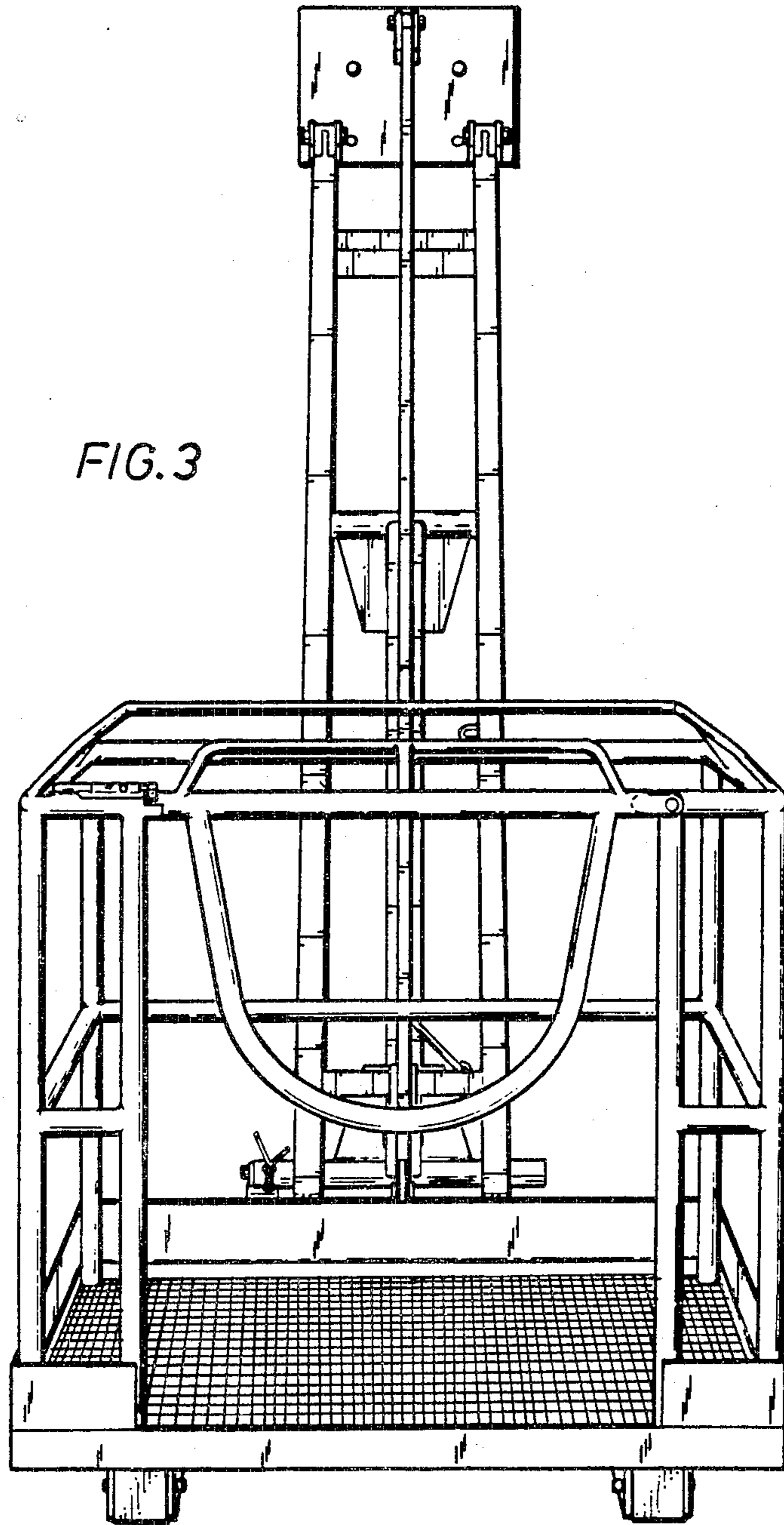
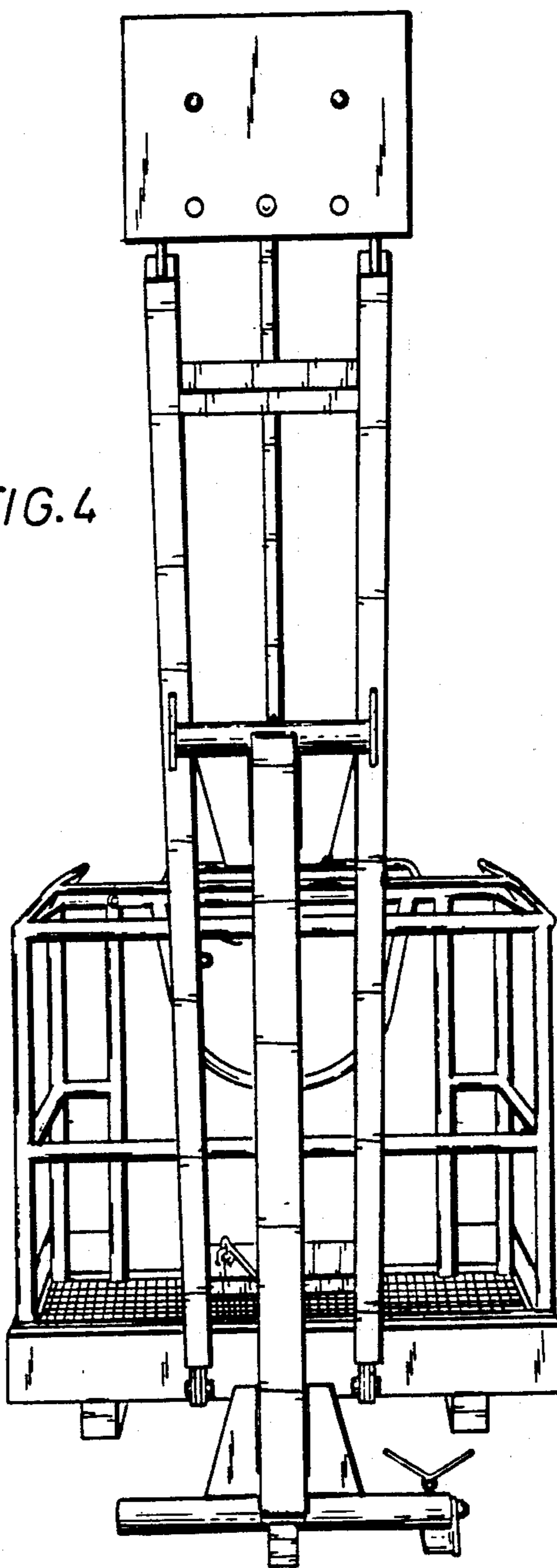


FIG. 4



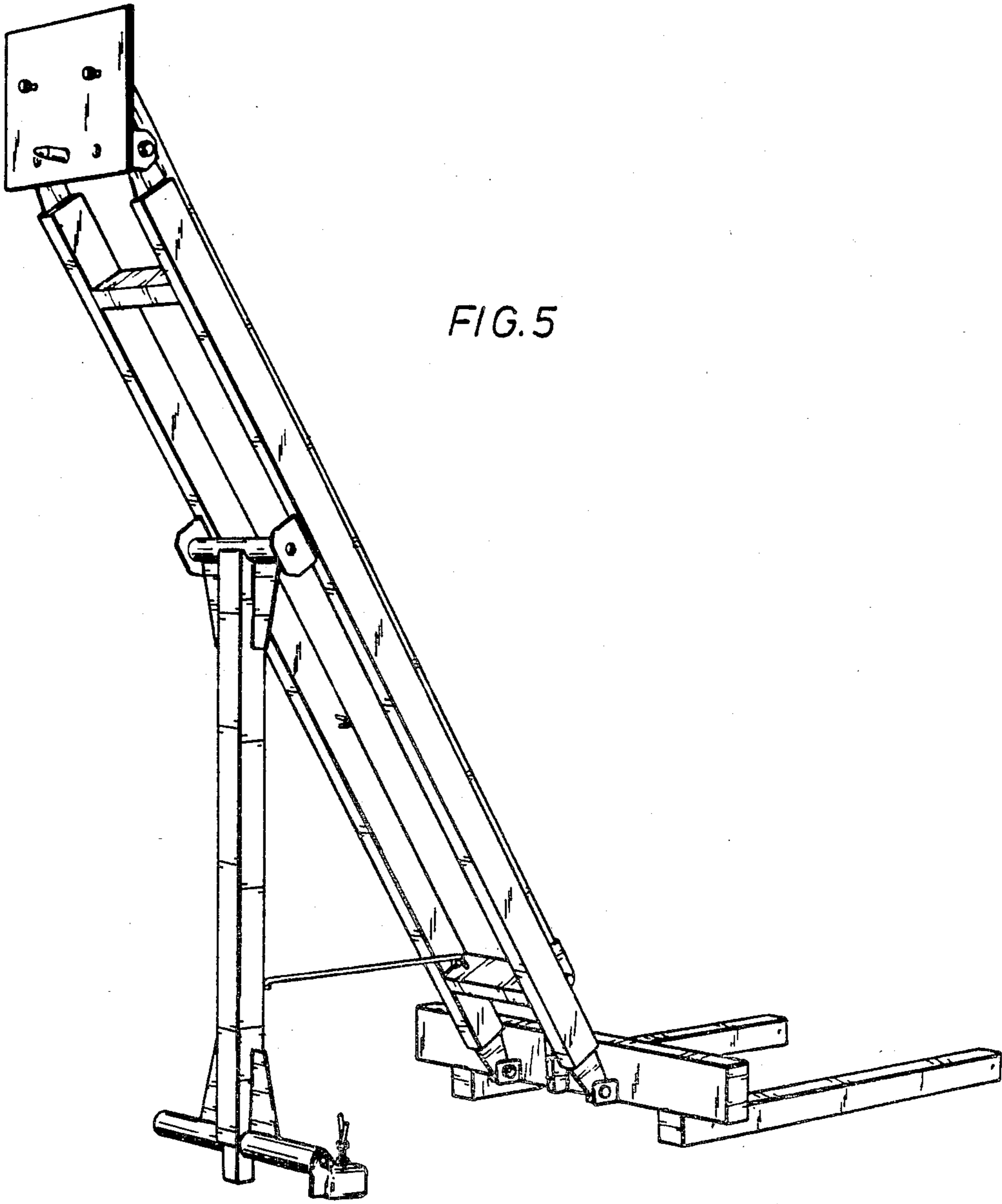
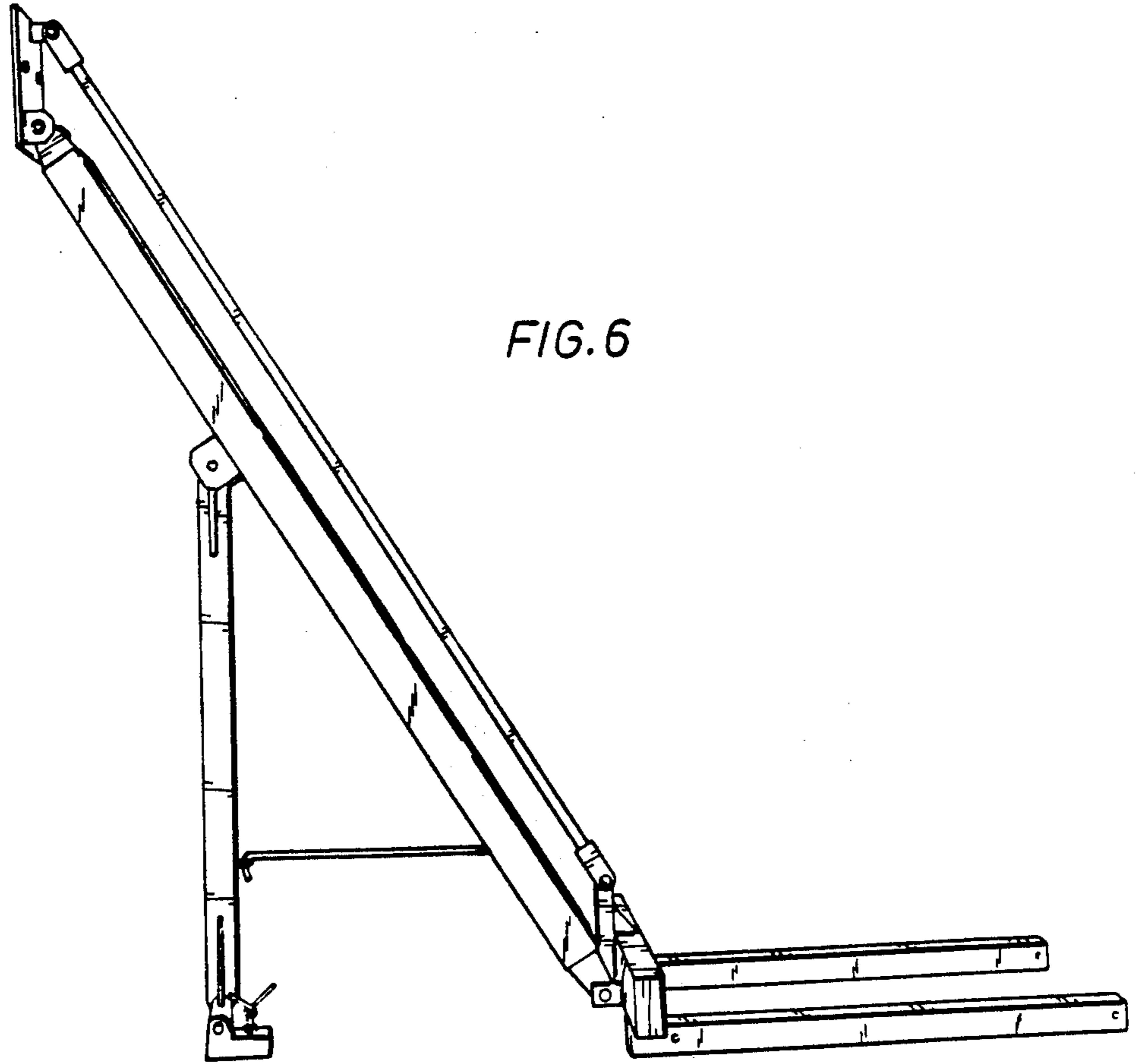


FIG. 5



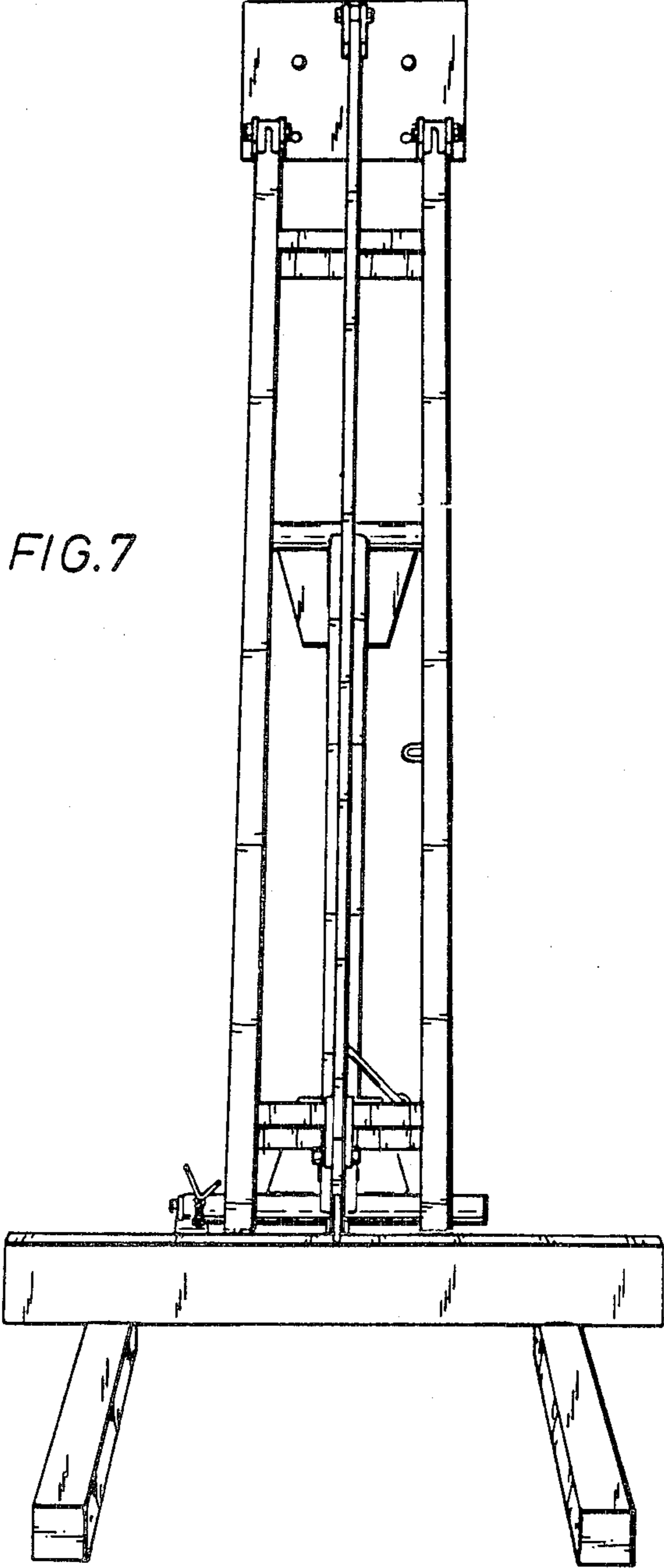


FIG. 8

